



US00D819902S

(12) **United States Design Patent**
Leckrone et al.

(10) **Patent No.:** **US D819,902 S**
(45) **Date of Patent:** **** Jun. 5, 2018**

(54) **DECONTAMINATION CART**

FOREIGN PATENT DOCUMENTS

(71) Applicant: **TOMI Environmental Solutions, Inc.**,
Beverly Hills, CA (US)

CN 301300143 8/2010

(72) Inventors: **Eric Patrick Leckrone**, Etters, PA
(US); **Edward L. Stum, II**, Carlisle,
PA (US)

OTHER PUBLICATIONS

Formaldehyde sterilization, fumigation posted by Foramaflow
posted date unknown, @AnimaLab, [online], [http://animalab.eu/
products/formaldehyde-sterilization-fumigation-formalin-vaporis-
ers](http://animalab.eu/products/formaldehyde-sterilization-fumigation-formalin-vaporisers) (Year: 2017).*

(73) Assignee: **TOMI ENVIRONMENTAL
SOLUTIONS, INC.**, Beverly Hills, CA
(US)

(Continued)

(**) Term: **15 Years**

Primary Examiner — Cynthia Ramirez

Assistant Examiner — Laura H Yu

(21) Appl. No.: **29/580,429**

(74) *Attorney, Agent, or Firm* — Morgan, Lewis &
Bockius LLP

(22) Filed: **Oct. 10, 2016**

(51) **LOC (11) Cl.** **15-05**

(52) **U.S. Cl.**
USPC **D32/1**

(58) **Field of Classification Search**

USPC D32/1; D25/16; D10/81; D6/670;
D7/334, 402; D26/216; D34/20;
210/206

CPC B01F 5/0498; C02F 1/006; C02F 1/008;
C02F 1/686; C02F 1/688; C02F 1/50;
C02F 5/08; A47L 11/4083; B08B 3/08

See application file for complete search history.

(57) **CLAIM**

The ornamental design for a decontamination cart, as shown
and described.

DESCRIPTION

FIG. 1 is a rear, right-side, perspective view of a decon-
tamination cart showing our new design;

FIG. 2 is a rear elevational view of the decontamination cart
shown in FIG. 1;

FIG. 3 is a front elevational view of the decontamination cart
shown in FIG. 1;

FIG. 4 is a right-side elevational view of the decontamina-
tion cart shown in FIG. 1;

FIG. 5 is a left-side elevational view of the decontamination
cart shown in FIG. 1;

FIG. 6 is a top plan view of the decontamination cart shown
in FIG. 1; and,

FIG. 7 is a bottom plan view of the decontamination cart
shown in FIG. 1.

The broken lines immediately adjacent the shaded areas
represent the bounds of the claimed design while all other
broken lines are directed to environment and are for illus-
trative purposes only; the broken lines form no part of the
claimed design.

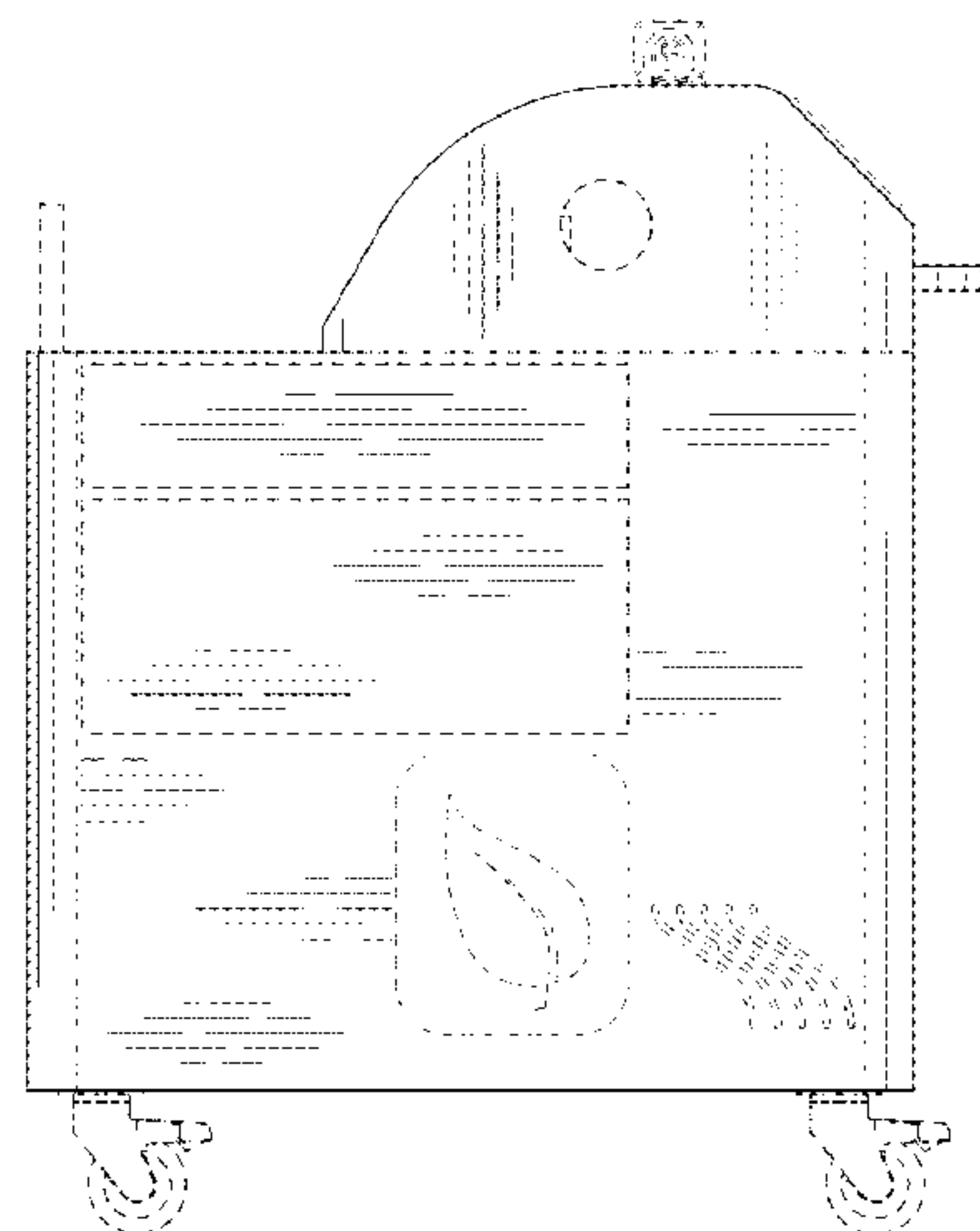
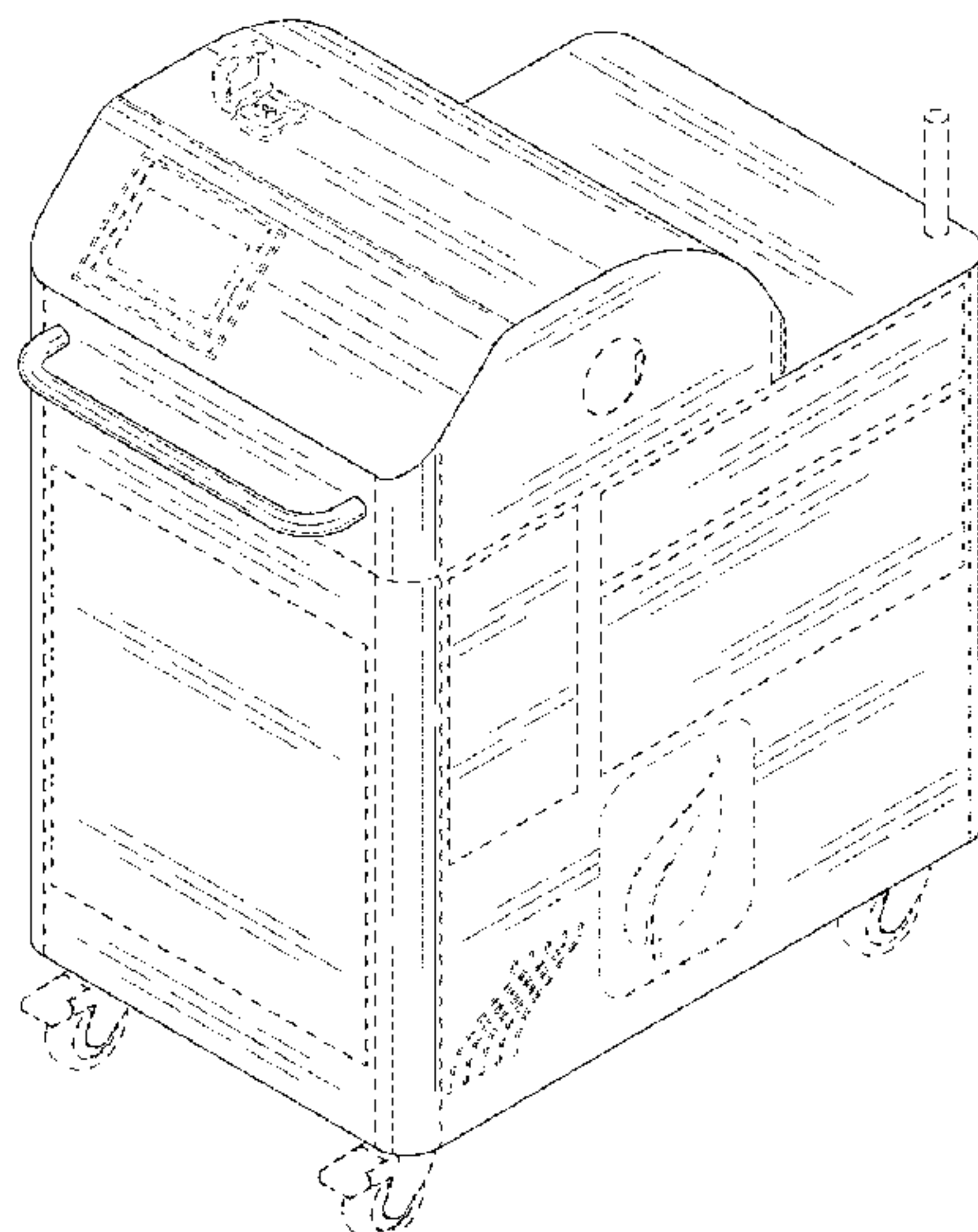
(56) **References Cited**

U.S. PATENT DOCUMENTS

D358,895 S *	5/1995	Holbl	D24/216
D384,446 S *	9/1997	Linton	D32/1
D478,199 S *	8/2003	Presnell	34/20
D562,506 S *	2/2008	Richert	D32/4
D623,466 S *	9/2010	Camerin	D7/334
D631,901 S *	2/2011	Brooks	D15/199
D664,790 S *	8/2012	Christopher	D6/670
D708,809 S	7/2014	Maddux et al.		

(Continued)

1 Claim, 7 Drawing Sheets



(56)

References Cited

U.S. PATENT DOCUMENTS

8,916,045 B2 * 12/2014 Reinbigler C12M 23/44
210/206
D723,237 S 2/2015 Maddux et al.
D737,627 S * 9/2015 Goldenstein 7/402
D767,423 S * 9/2016 Choudhary D10/81
D786,014 S * 5/2017 Knight D7/405

OTHER PUBLICATIONS

Model 5K Lab Generator posted by Nextek posted date unknown,
© Nextek LLC, [online], http://www.nextekllc.com/formaldehyde_generators.html (Year: 2017).*
Taiwanese Design Patent Application No. 106301777, Taiwan IPO
Search Report, dated Oct. 17, 2017, 2 pages.

* cited by examiner

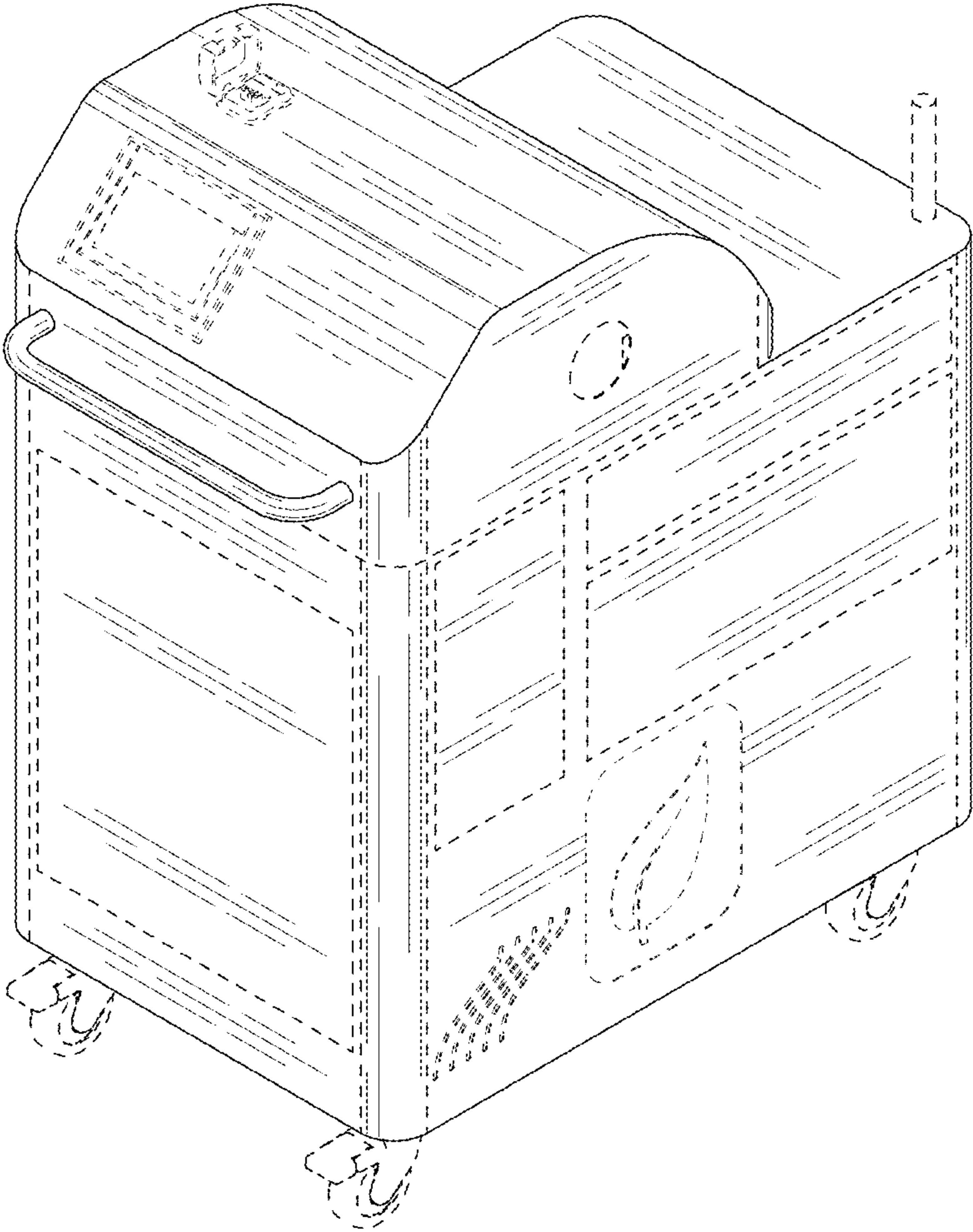


FIG. 1

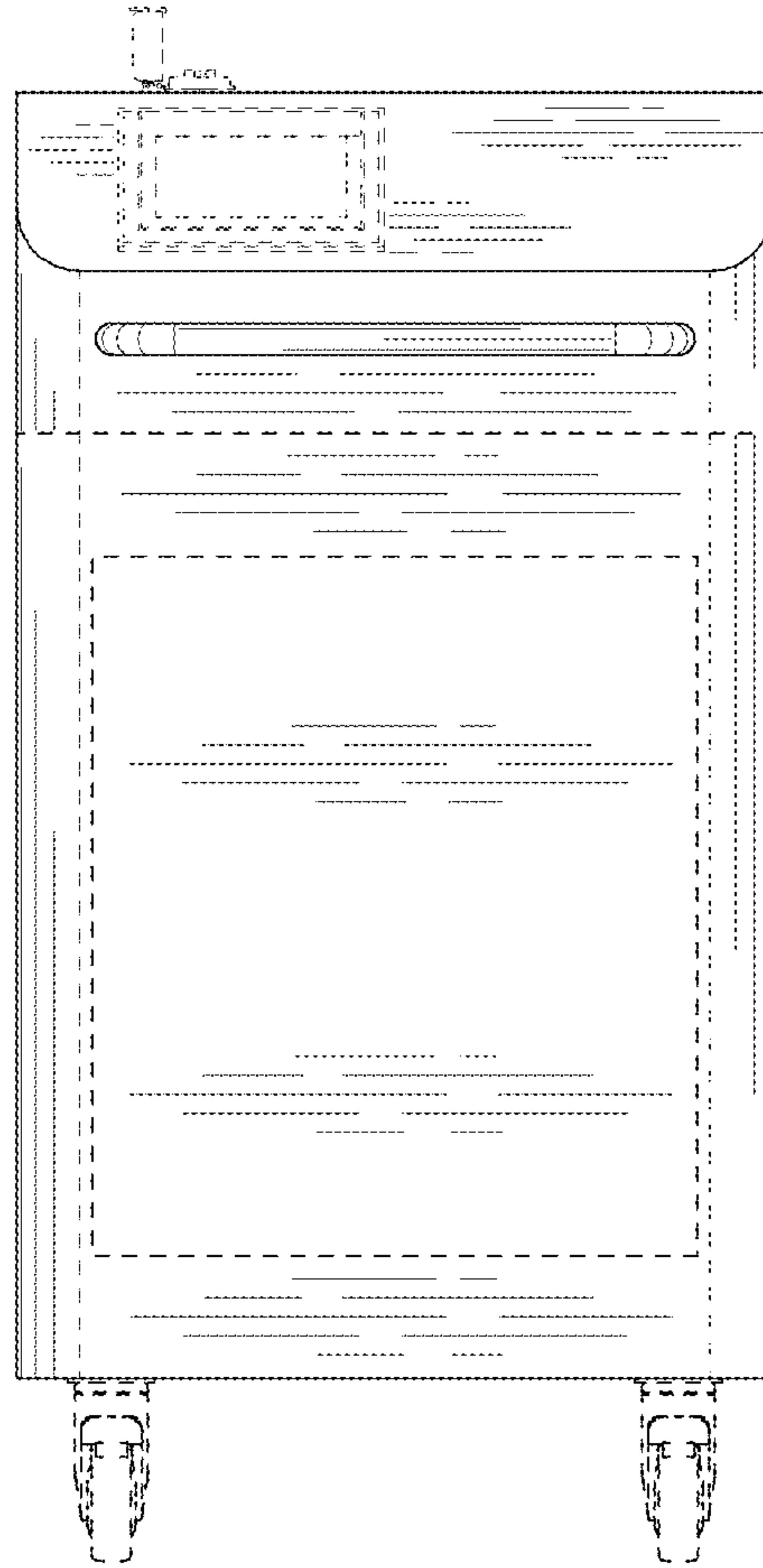


FIG. 2

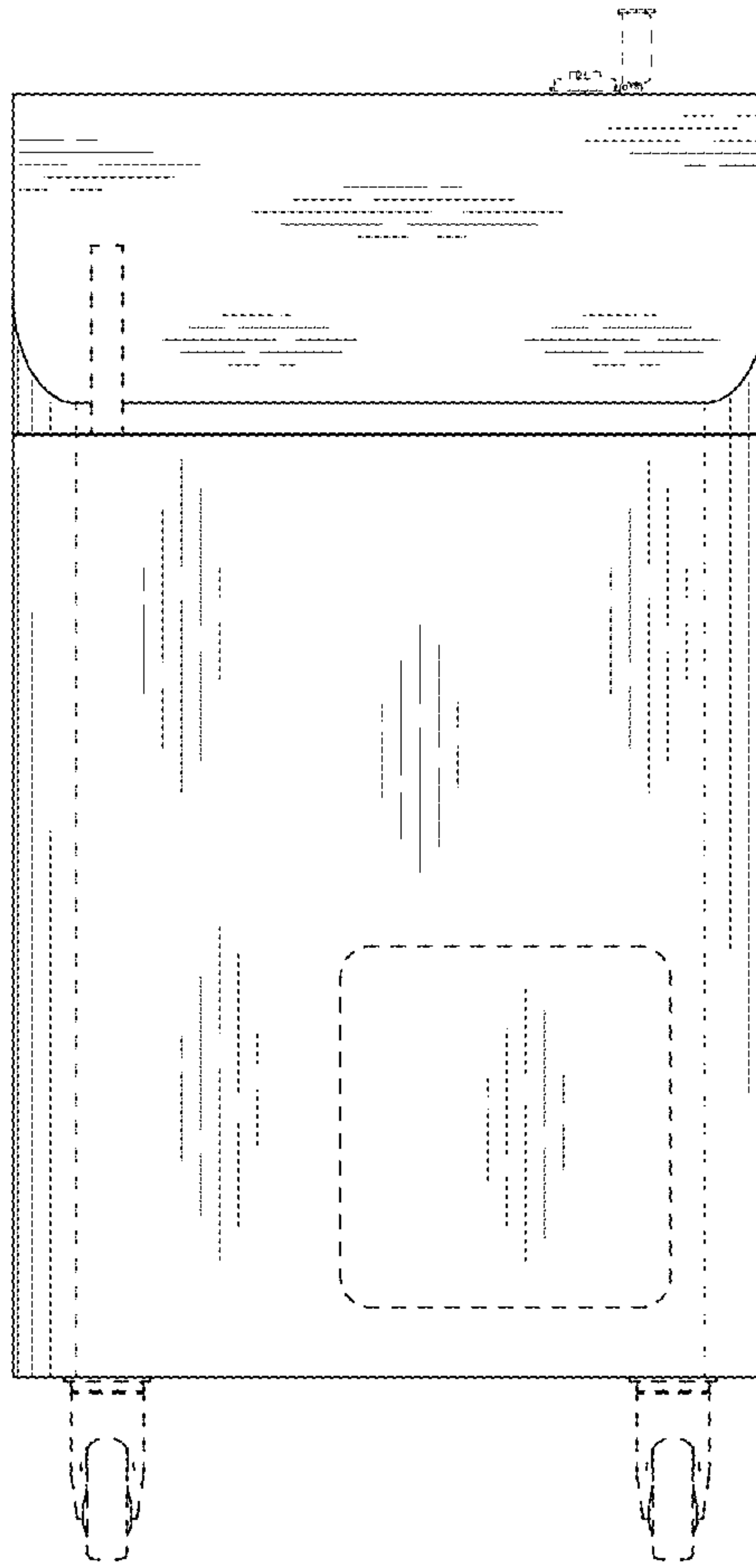


FIG. 3

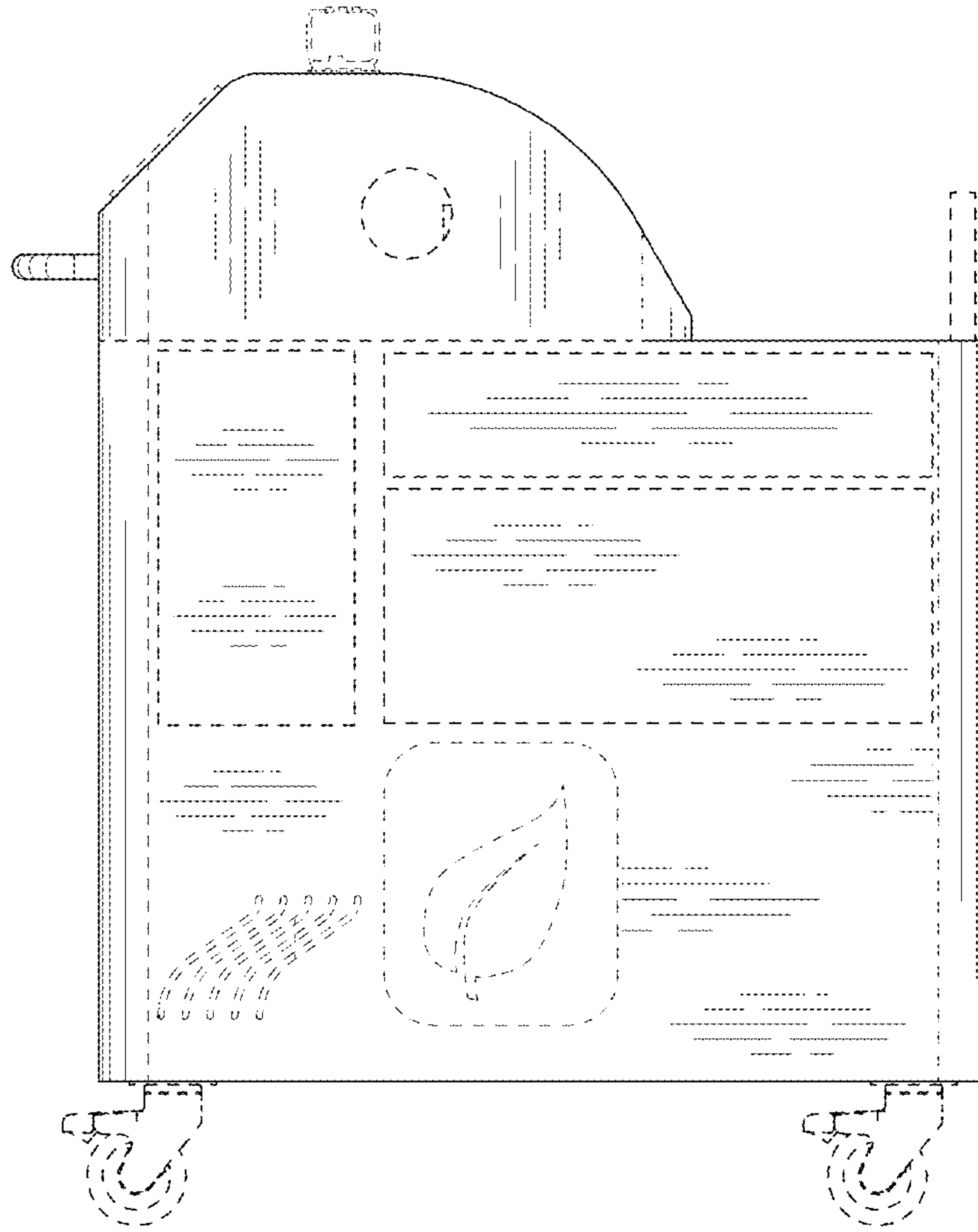


FIG. 4

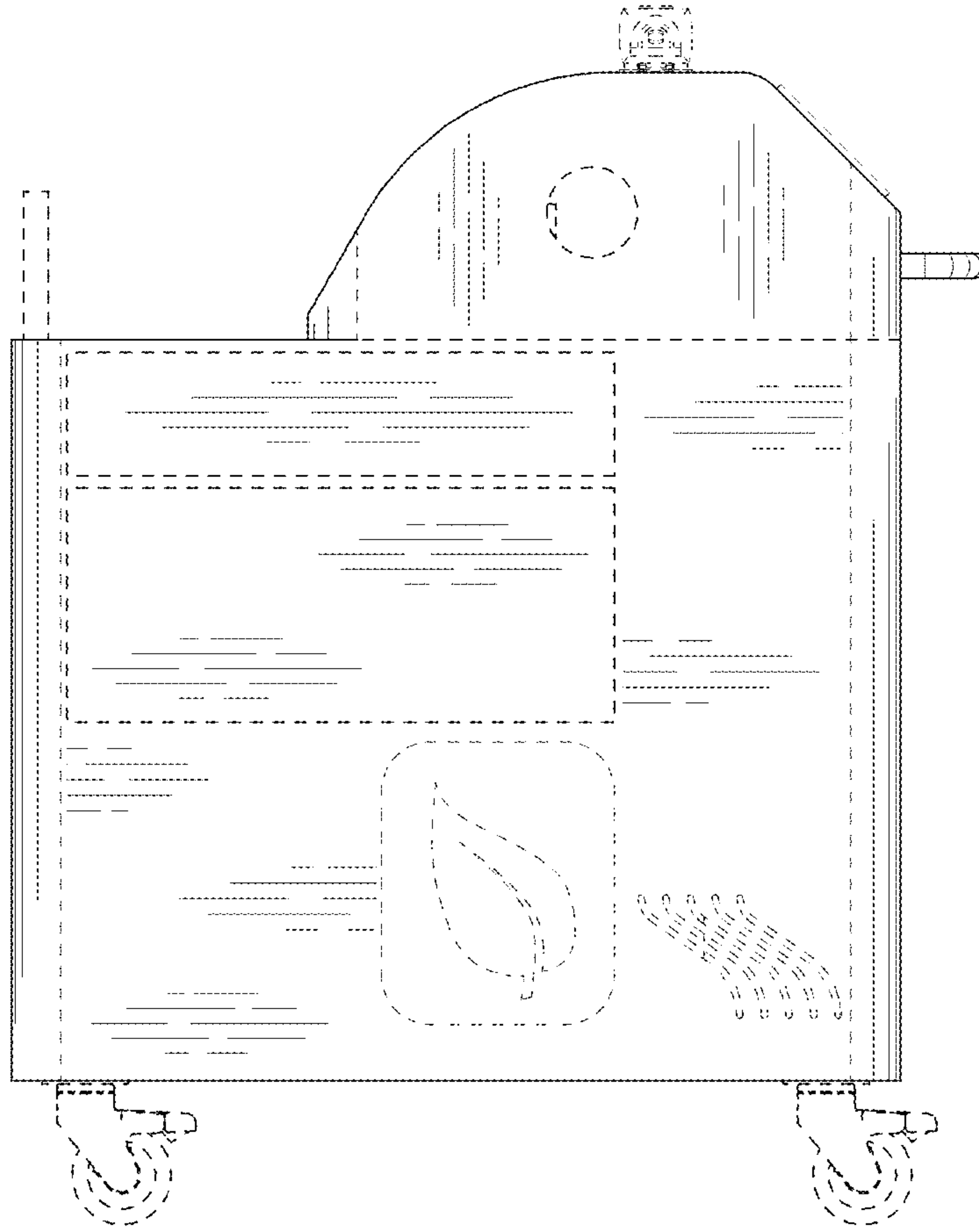


FIG. 5

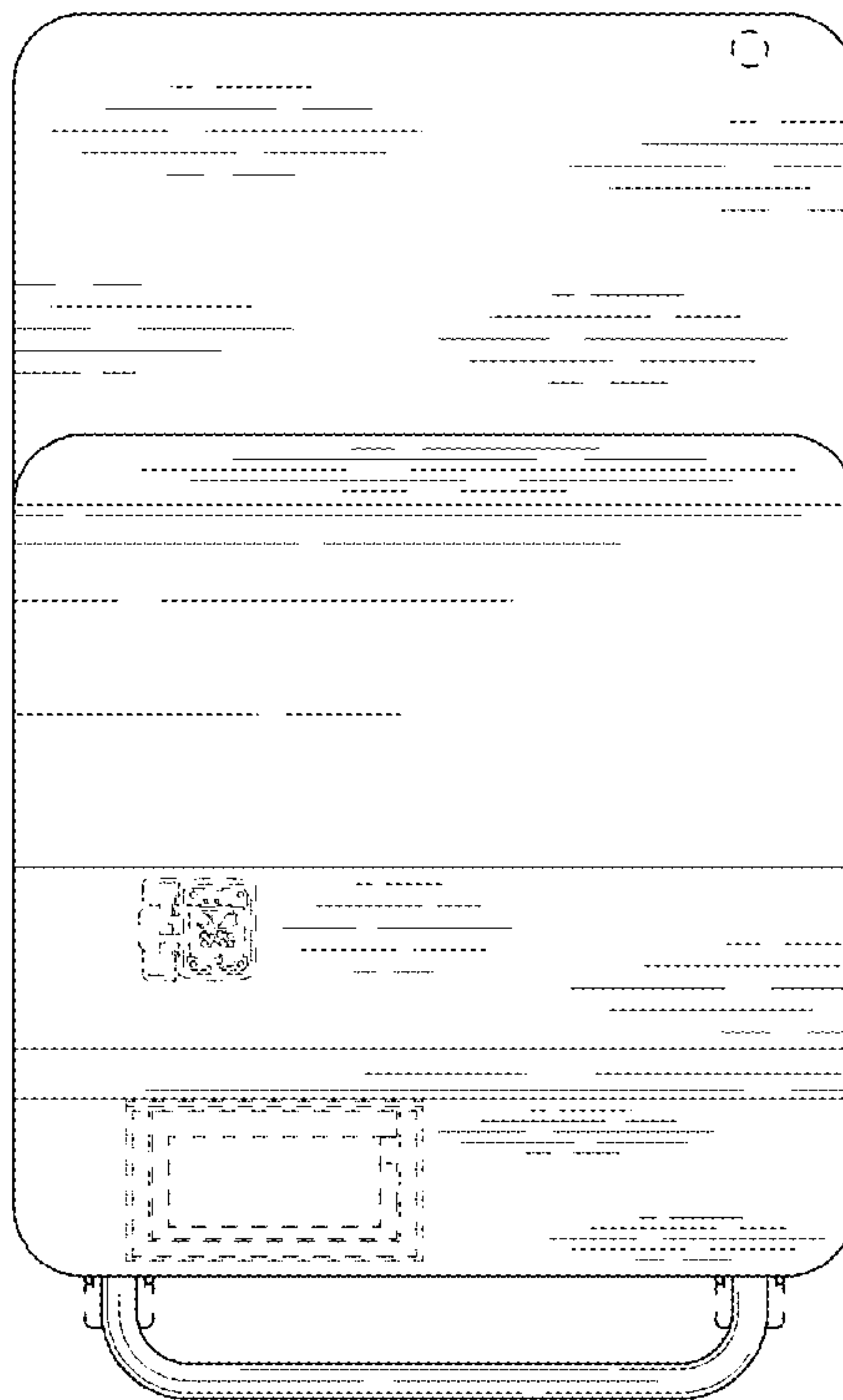


FIG. 6

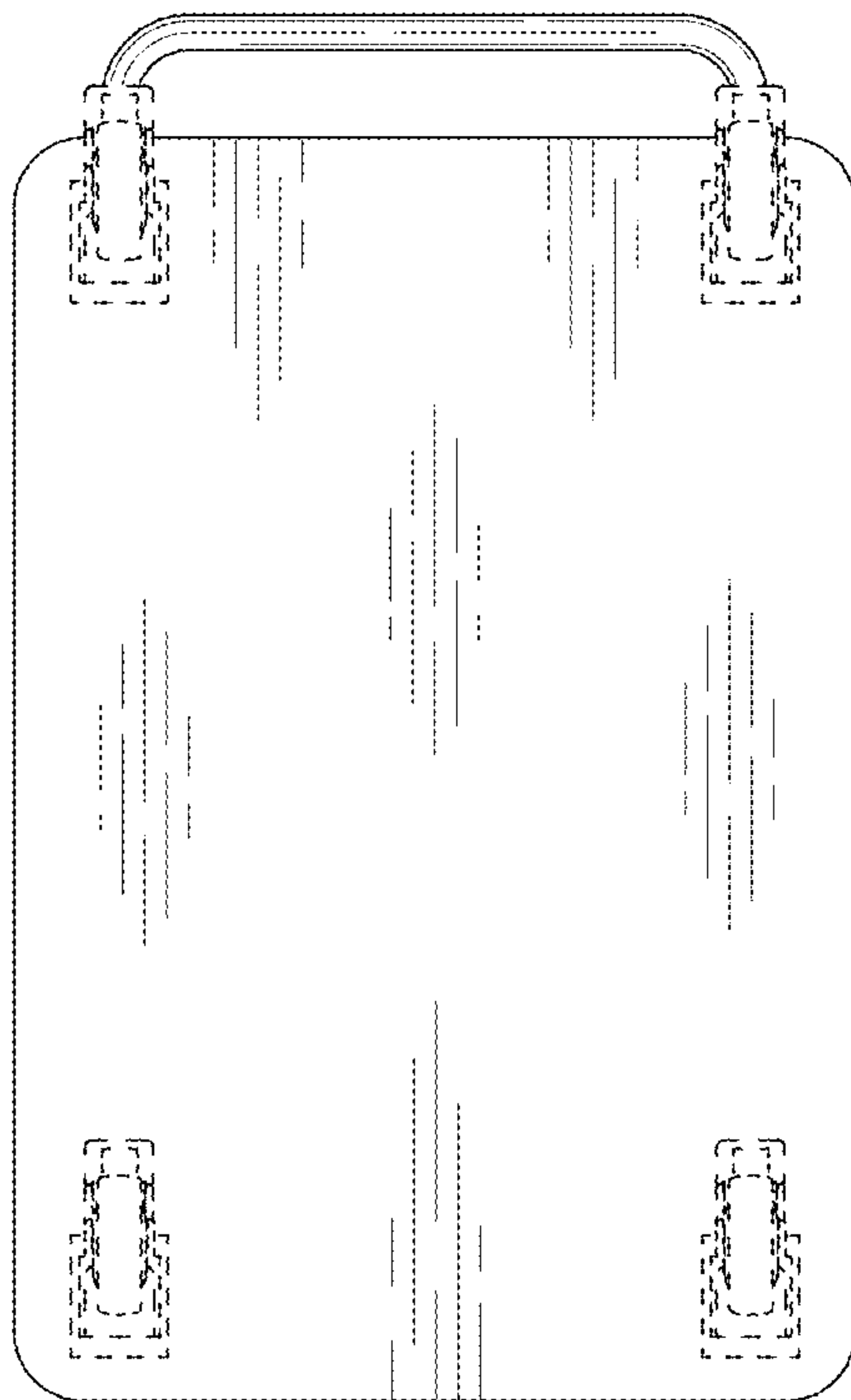


FIG. 7