

US00D819899S

(12) **United States Design Patent** (10) **Patent No.:** **US D819,899 S**
Gick (45) **Date of Patent:** **** Jun. 5, 2018**

(54) **DOG CHEW TOY**
(71) Applicant: **PetQwerks, Inc.**, Irvine, CA (US)
(72) Inventor: **James W. Gick**, Irvine, CA (US)
(73) Assignee: **Pet Qwerks, Inc.**, Irvine, CA (US)
(**) Term: **15 Years**

D511,030 S * 10/2005 Byrne D30/160
D512,189 S * 11/2005 Byrne D30/160
D512,539 S * 12/2005 Brunes D30/130
D514,278 S * 2/2006 Weinberg A01K 15/026
D1/106
D523,592 S * 6/2006 Wang D30/160
D527,273 S * 8/2006 Edwards D9/600
(Continued)

(21) Appl. No.: **29/580,652**
(22) Filed: **Oct. 11, 2016**
(51) **LOC (11) Cl.** **30-99**
(52) **U.S. Cl.**
USPC **D30/160**
(58) **Field of Classification Search**
USPC D30/160; D24/191-192, 211-215;
D21/398, 681-682; D11/7, 14, 49;
119/707
CPC A01K 15/026; A63B 43/02; A63B 43/00;
A61H 2015/0021; A61H 15/0092
See application file for complete search history.

OTHER PUBLICATIONS

JW Evertuff Bone 2Pk Chicken & Peanut Butter <http://www.petmate.com/product/JW-Evertuff-Bone-2Pk-Chicken--Peanut-Butter/46130>.

Primary Examiner — Barbara Fox
Assistant Examiner — Mehri F Bajoul
(74) *Attorney, Agent, or Firm* — Roland Tong, PC

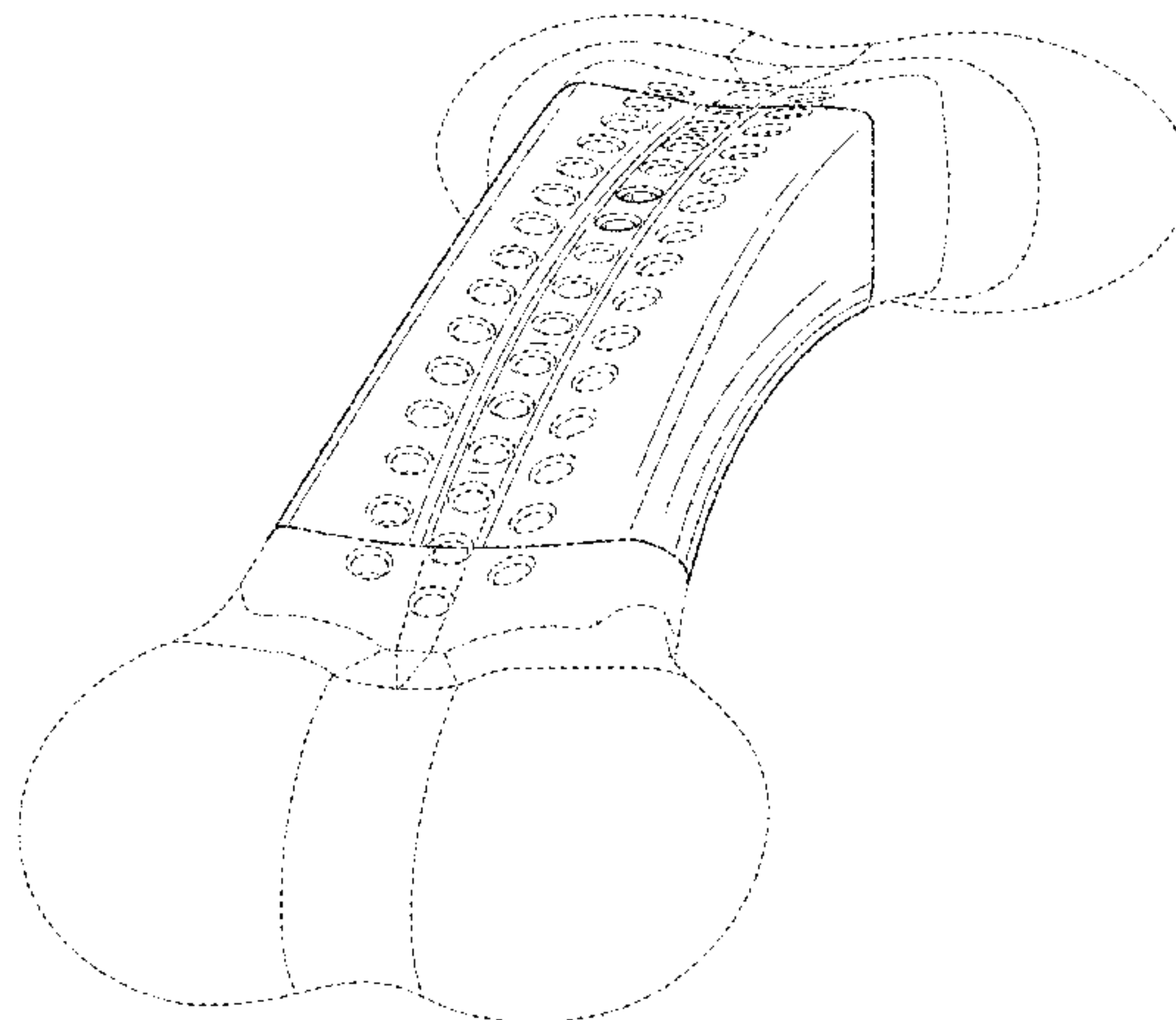
(57) **CLAIM**
The ornamental design for a dog chew toy, as shown and described.

DESCRIPTION

FIG. 1 is a perspective view of the dog chew toy of the present disclosure.
FIG. 2 is a front view of the dog chew toy of the present disclosure.
FIG. 3 is a rear view of the dog chew toy of the present disclosure.
FIG. 4 is a right side view of the dog chew toy of the present disclosure.
FIG. 5 is a left side view of the dog chew toy of the present disclosure.
FIG. 6 is a top plan view of the dog chew toy of the present disclosure; and,
FIG. 7 is a bottom plan view of the dog chew toy of the present disclosure.
The broken lines are for illustrative purposes only and form no part of the claimed design.

(56) **References Cited**
U.S. PATENT DOCUMENTS
D327,962 S * 7/1992 O'Rourke D30/160
5,419,283 A * 5/1995 Leo A01K 15/026
119/709
D391,645 S * 3/1998 Chien D24/211
5,750,196 A 5/1998 Welch
D408,924 S * 4/1999 Chen D24/211
D422,364 S * 4/2000 Van Dyk D24/211
D439,660 S * 3/2001 Velazquez D24/124
6,202,598 B1 3/2001 Willinger
D450,894 S * 11/2001 Suchowski A01K 15/026
D30/160
D453,242 S * 1/2002 Kaplan A01K 15/026
D30/160
D475,816 S * 6/2003 Adamson D1/106
D479,607 S * 9/2003 Chen D24/211
D492,791 S * 7/2004 Alexander D24/211
D496,518 S * 9/2004 Tepper D1/106
D496,773 S * 10/2004 Tepper D1/199

1 Claim, 6 Drawing Sheets



(56)

References Cited

U.S. PATENT DOCUMENTS

D529,668 S * 10/2006 Wang D30/160
 D542,506 S * 5/2007 Springer A01K 15/026
 D572,426 S * 7/2008 McCollum D1/106
 D578,726 S * 10/2008 Edwards D1/109
 D586,976 S * 2/2009 Lundwall D1/109
 D599,061 S * 8/2009 Smith D30/160
 D614,308 S * 4/2010 Summers D24/211
 D619,491 S * 7/2010 Winick D11/81
 D620,207 S * 7/2010 Byrne D30/160
 D632,455 S * 2/2011 School D99/5
 D635,309 S * 3/2011 Axelrod D30/160
 D639,934 S * 6/2011 Noel D24/124
 D641,813 S * 7/2011 Bowen D21/717
 D642,341 S * 7/2011 Anderson D30/160
 D643,586 S * 8/2011 Freije D1/106
 D657,924 S * 4/2012 Soegaard D30/160
 D658,823 S * 5/2012 Viola D30/160
 D658,824 S * 5/2012 Viola D30/160
 D677,441 S * 3/2013 Renforth D30/160
 D686,317 S * 7/2013 Bogren D24/124
 D686,797 S * 7/2013 Robinson D1/106
 D687,954 S * 8/2013 Dallman D24/194
 D690,897 S * 10/2013 Toolan D1/199
 D694,964 S * 12/2013 Axelrod D30/160
 D694,986 S * 12/2013 Endres D1/106
 D697,274 S * 1/2014 Thorne D24/194
 D698,456 S * 1/2014 Zedaker D24/215
 8,627,787 B2 * 1/2014 Axelrod A01K 15/026
 119/707
 D702,405 S * 4/2014 Yerton D1/106

D708,417 S * 7/2014 Allen D1/106
 D708,817 S * 7/2014 Axelrod D1/106
 D708,818 S * 7/2014 Axelrod D1/106
 D709,565 S * 7/2014 Baumann D21/398
 D711,987 S * 8/2014 Nagi D21/707
 D712,602 S * 9/2014 Chen D30/160
 D719,707 S * 12/2014 Axelrod D1/199
 D737,456 S * 8/2015 McDonough D24/211
 D740,101 S * 10/2015 Chance D8/330
 D740,500 S * 10/2015 Wickens D30/160
 D742,601 S * 11/2015 Holterhaus D30/121
 D747,067 S * 1/2016 Axelrod D1/106
 D749,734 S * 2/2016 Gronberg D24/127
 D752,548 S * 3/2016 Chen D14/207
 D753,351 S * 4/2016 Anderson D30/160
 D779,136 S * 2/2017 Eisenbarth D30/160
 D789,020 S * 6/2017 Kennedy D99/5
 D790,689 S * 6/2017 Noel A61F 13/472
 D24/124
 D794,180 S * 8/2017 Frisk D24/124
 D803,327 S * 11/2017 Gaus D21/436
 D803,512 S * 11/2017 Falcone D1/199
 D804,140 S * 12/2017 Bennett D1/125
 2005/0039696 A1 * 2/2005 Springer A01K 15/026
 119/709
 2008/0029045 A1 2/2008 Willinger
 2008/0314333 A1 12/2008 Hurwitz
 2009/0025649 A1 * 1/2009 Gamble A01K 15/026
 119/709
 2010/0083910 A1 4/2010 Axelrod
 2012/0240866 A1 9/2012 Taylor
 2013/0000564 A1 1/2013 Beckhart
 2013/0273125 A1 10/2013 Barnvos
 2017/0326021 A1 * 11/2017 Matsushita A61N 1/26

* cited by examiner

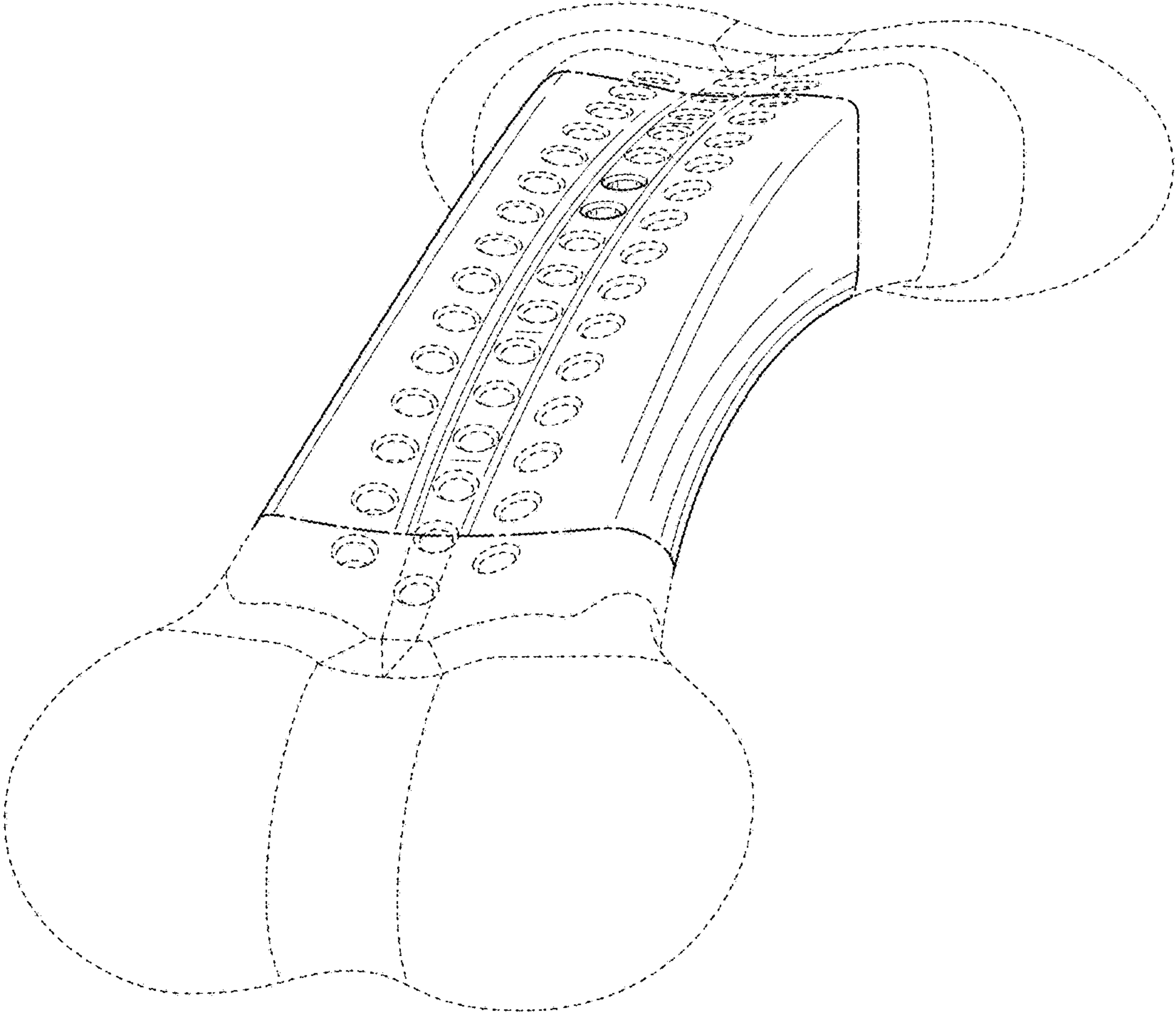


FIG. 1

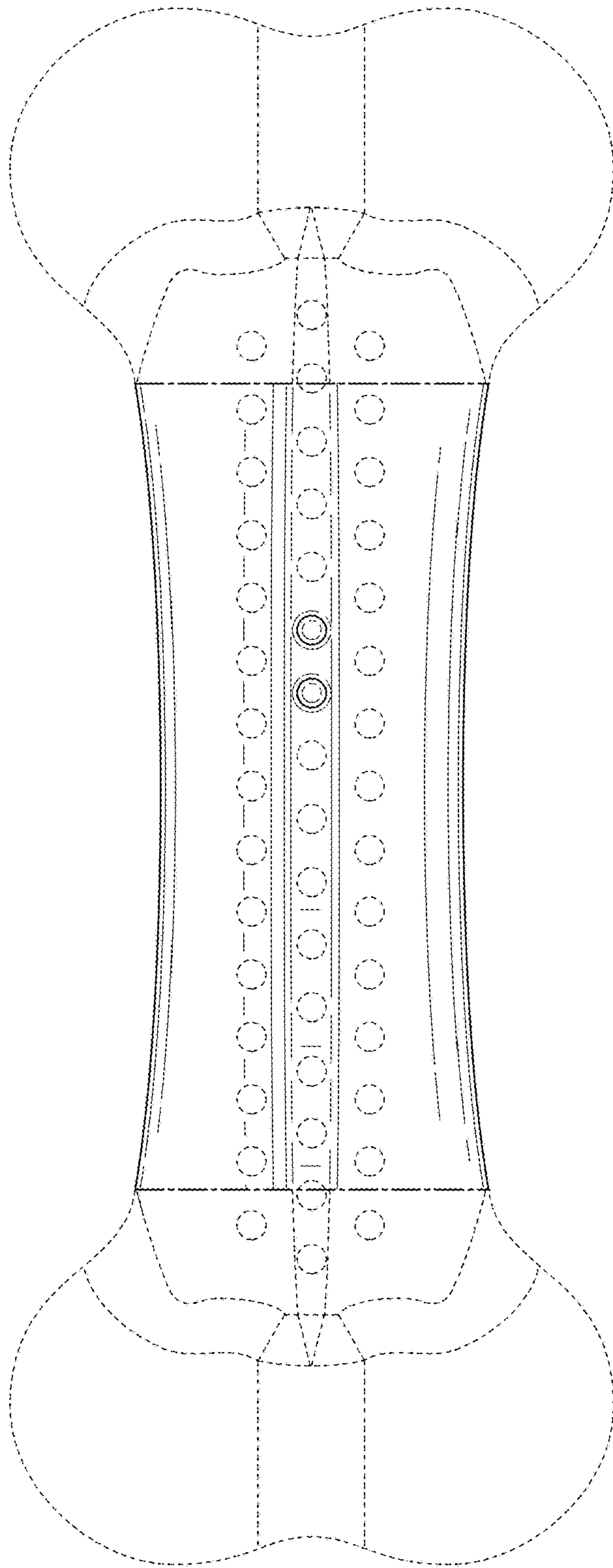


FIG. 2

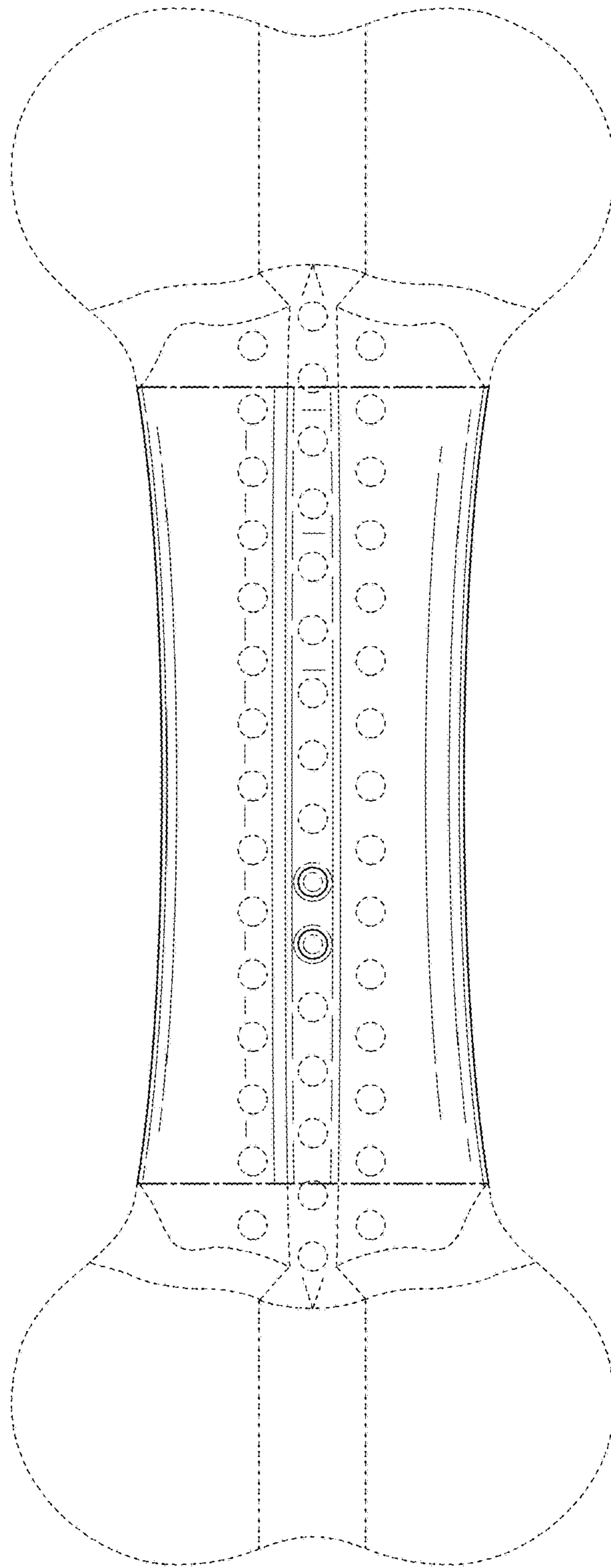


FIG. 3

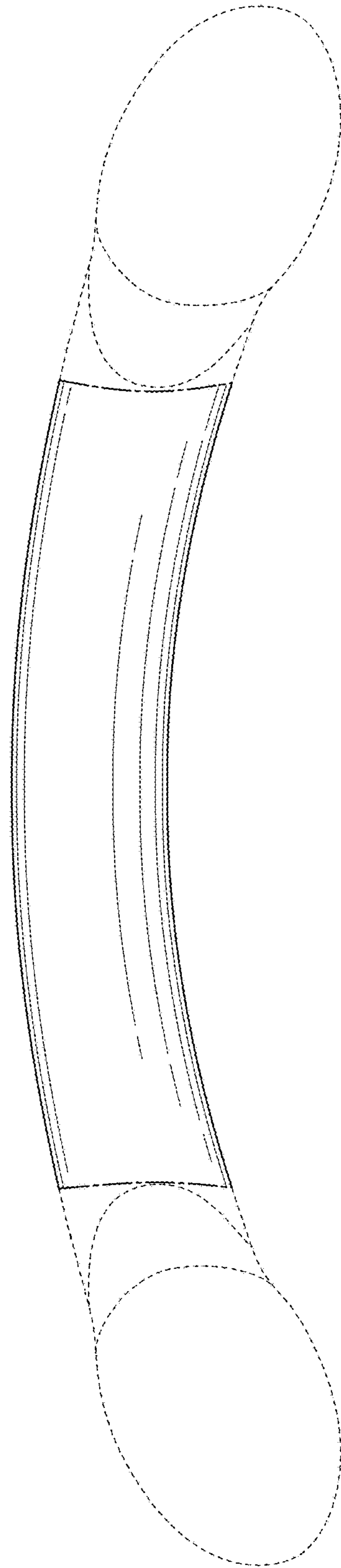


FIG. 4

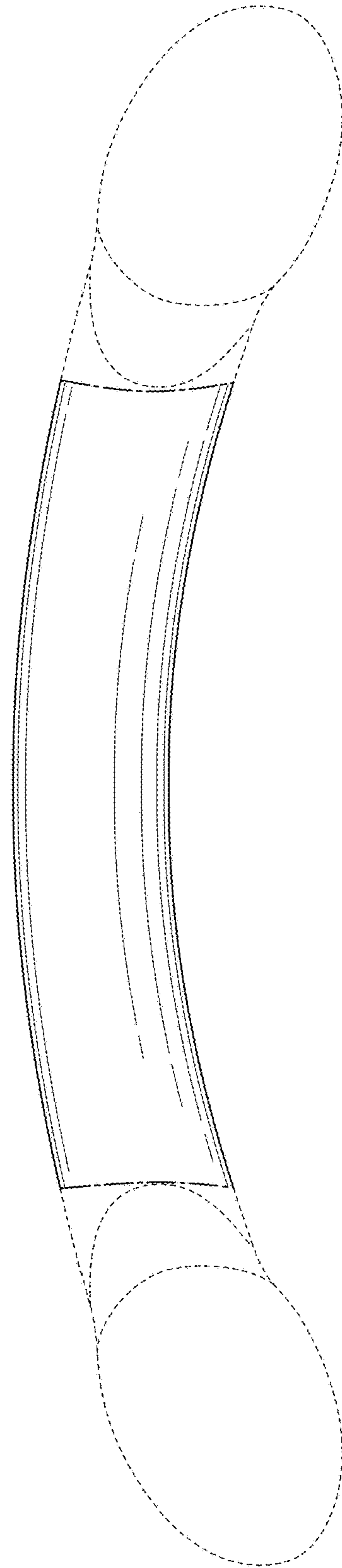


FIG. 5

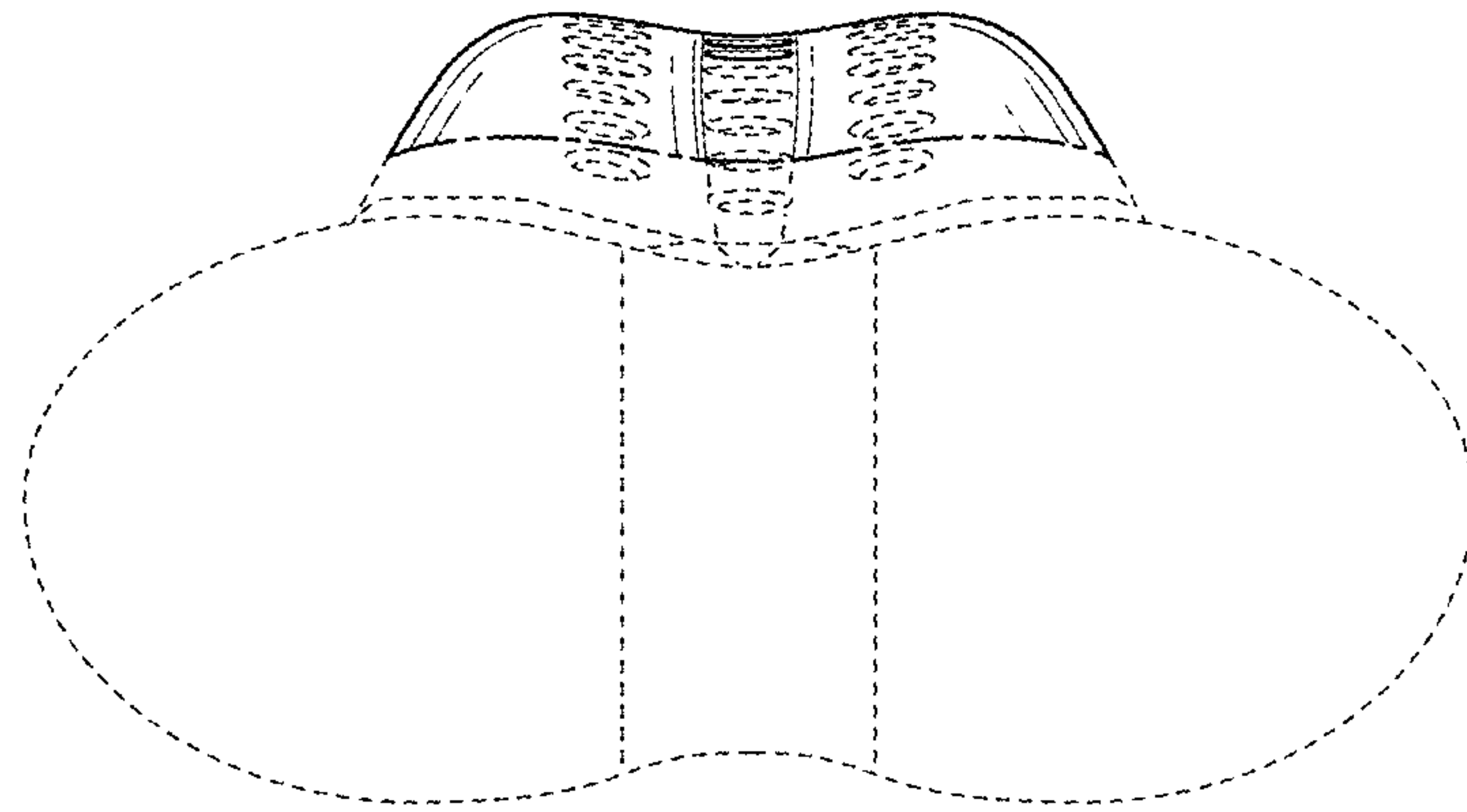


FIG. 6

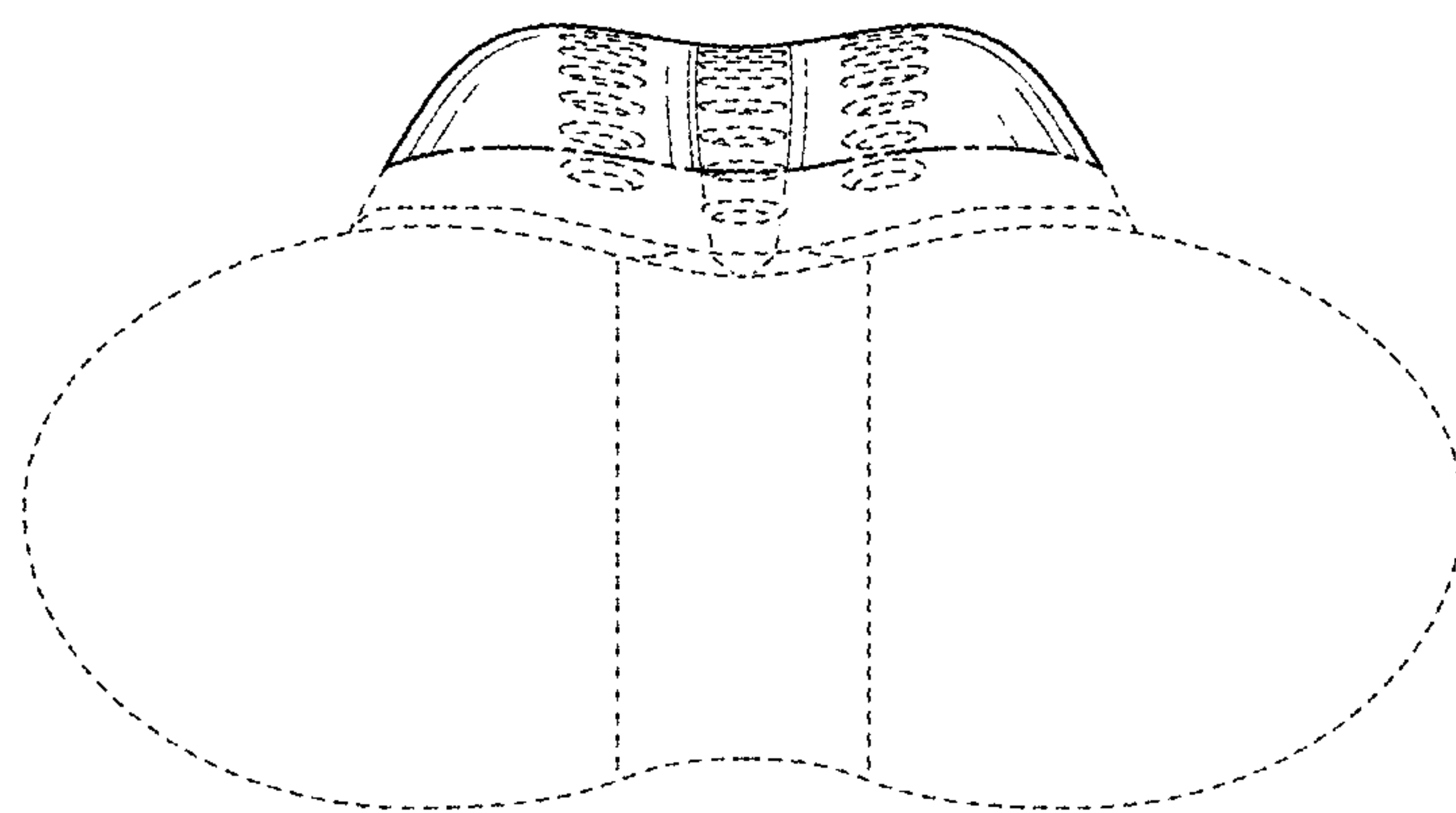


FIG. 7