



US00D819897S

(12) **United States Design Patent**  
**Felton**

(10) **Patent No.:** **US D819,897 S**

(45) **Date of Patent:** **\*\* Jun. 5, 2018**

- (54) **HORSE BUCKET AND LID**
- (71) Applicant: **Donna Felton**, Weatherford, TX (US)
- (72) Inventor: **Donna Felton**, Weatherford, TX (US)
- (\*\*) Term: **15 Years**
- (21) Appl. No.: **29/592,044**
- (22) Filed: **Jan. 26, 2017**
- (51) **LOC (11) Cl.** ..... **30-03**
- (52) **U.S. Cl.**  
USPC ..... **D30/131**
- (58) **Field of Classification Search**  
USPC .... D30/121, 122, 129-133; 119/61.5, 51.01,  
119/61.56, 51.03, 59, 62, 63, 51.5, 57.8,  
119/74, 61.54, 61.55, 71, 61.57, 477, 454,  
119/515, 464; 312/204, 327; 248/151,  
248/188, 222.14, 210; 108/156,  
108/153.1-157; 220/23.87, 630, 737,  
220/743, 9.4, 495.01, 574, 212, 255,  
220/23.83, 482, 758, 671, 769, 776, 904,  
220/751, 770, 252, 780, 254.3; 206/515,  
206/524.5; D7/586, 543, 550.1, 587, 505,  
D7/584, 545, 500, 553.1-553.8, 546, 555,  
D7/556, 504, 565, 562, 602; D9/429;  
43/109, 56; D22/122, 136; 99/430,  
99/DIG. 15; D32/53, 53.1; 222/465.1  
CPC ..... A01K 5/00; A01K 5/01; A01K 5/0107;  
A01K 5/0114-5/0142; A01K 7/00; A01K  
7/005; A01K 7/025; A01K 7/027; A01K  
9/00; B65D 43/161-43/166; B65D 43/18  
See application file for complete search history.

- 1,441,040 A \* 1/1923 Stephenson ..... B65F 1/12  
220/480
- D190,532 S \* 6/1961 Heimsoth ..... D30/121
- 2,998,671 A \* 9/1961 Hinton ..... A01K 97/05  
261/121.2
- D200,265 S \* 2/1965 Smith ..... D32/53
- 3,745,977 A 7/1973 Martin
- 4,003,340 A 1/1977 Kuzara et al.
- D289,452 S \* 4/1987 Fuller ..... D30/132
- 4,771,735 A 9/1988 Larsen
- 4,953,507 A 9/1990 Robinson
- 5,219,085 A 6/1993 Craft et al.
- 5,452,820 A 9/1995 Mislaysky
- D389,553 S \* 1/1998 Muto ..... D22/136
- D403,483 S \* 12/1998 Bernatz ..... D32/35
- D442,668 S \* 5/2001 Tobias ..... D22/136
- 6,260,663 B1 \* 7/2001 Combs ..... B44D 3/14  
182/129
- 6,374,773 B1 4/2002 McIntyre et al.
- 6,460,287 B1 \* 10/2002 Louie ..... A01K 97/06  
206/315.11
- 6,783,018 B1 \* 8/2004 Rondeau ..... A01K 97/05  
220/254.3

(Continued)

*Primary Examiner* — Susan Moon Lee  
(74) *Attorney, Agent, or Firm* — Eric Karich; Karich & Associates

(57) **CLAIM**

The ornamental design for a horse bucket and lid, as shown and described.

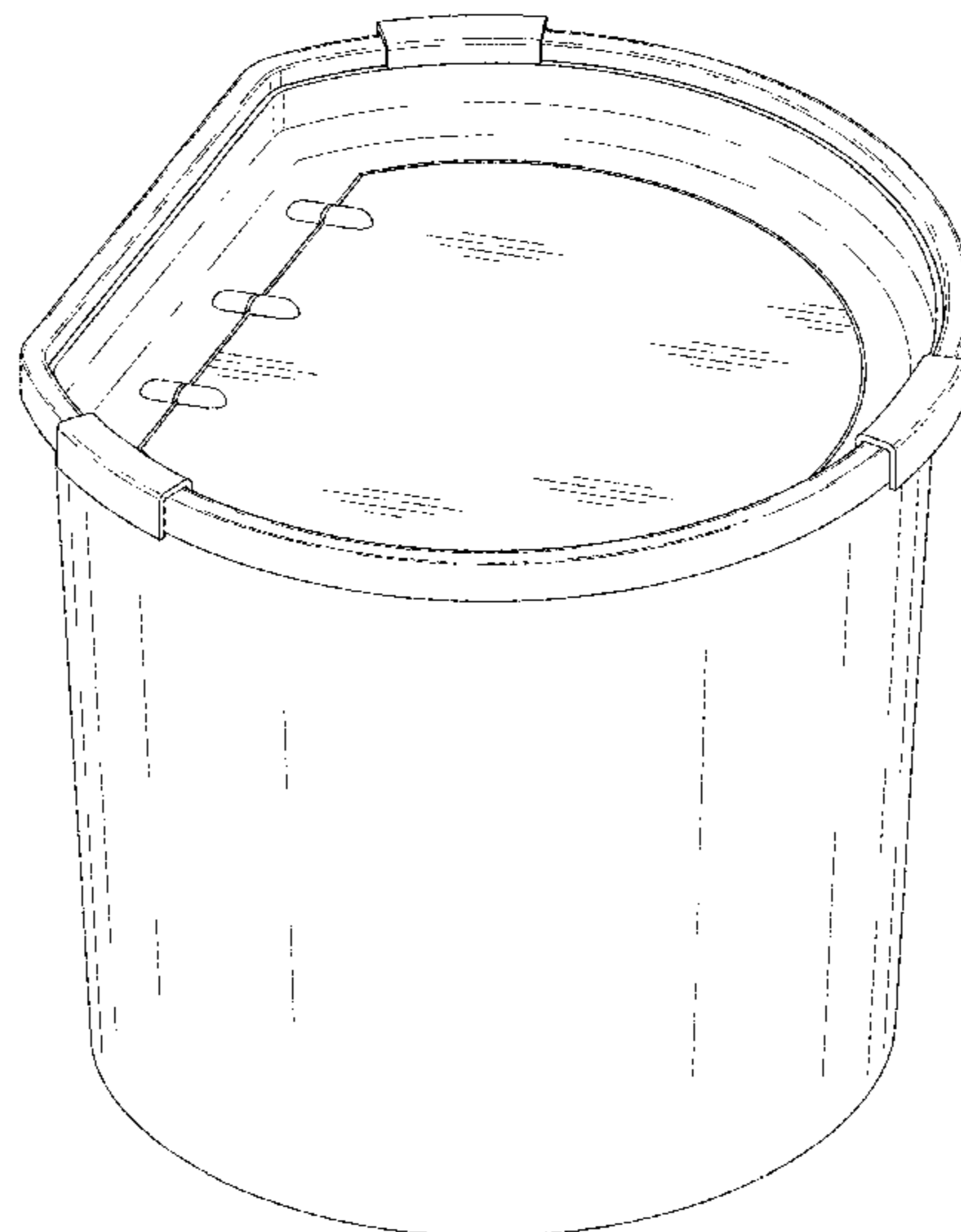
**DESCRIPTION**

FIG. 1 is a perspective view of a horse bucket and lid, showing my new design;  
FIG. 2 is a front elevational view thereof;  
FIG. 3 is a rear elevational view thereof;  
FIG. 4 is a left side elevational view thereof  
FIG. 5 is a right side elevational view thereof;  
FIG. 6 is a top plan view thereof; and,  
FIG. 7 is a bottom plan view thereof.

**1 Claim, 4 Drawing Sheets**

(56) **References Cited**  
U.S. PATENT DOCUMENTS

- 266,836 A 10/1882 Johnston
- 1,170,797 A \* 2/1916 Burroughs ..... B65F 1/163  
220/263



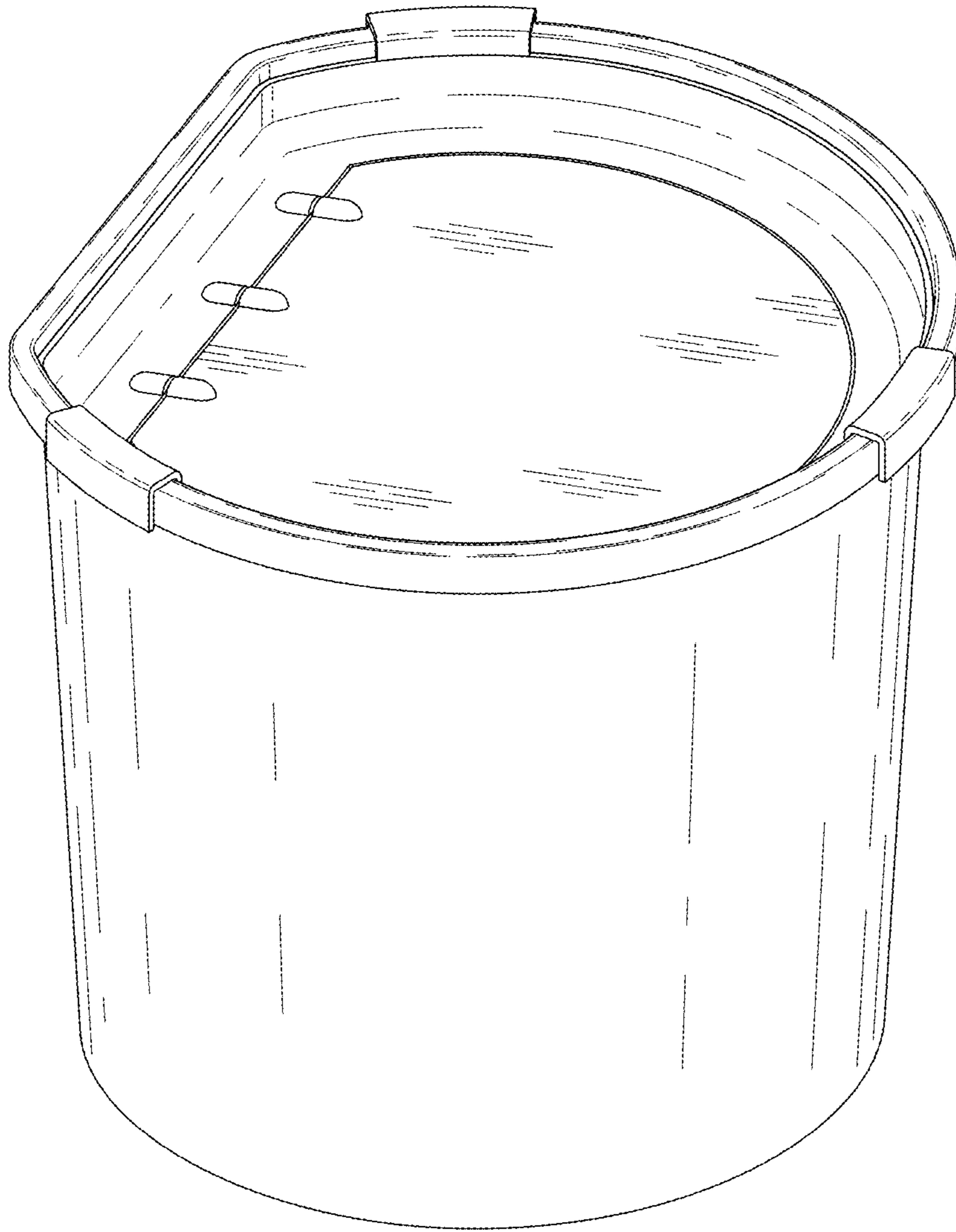
(56)

**References Cited**

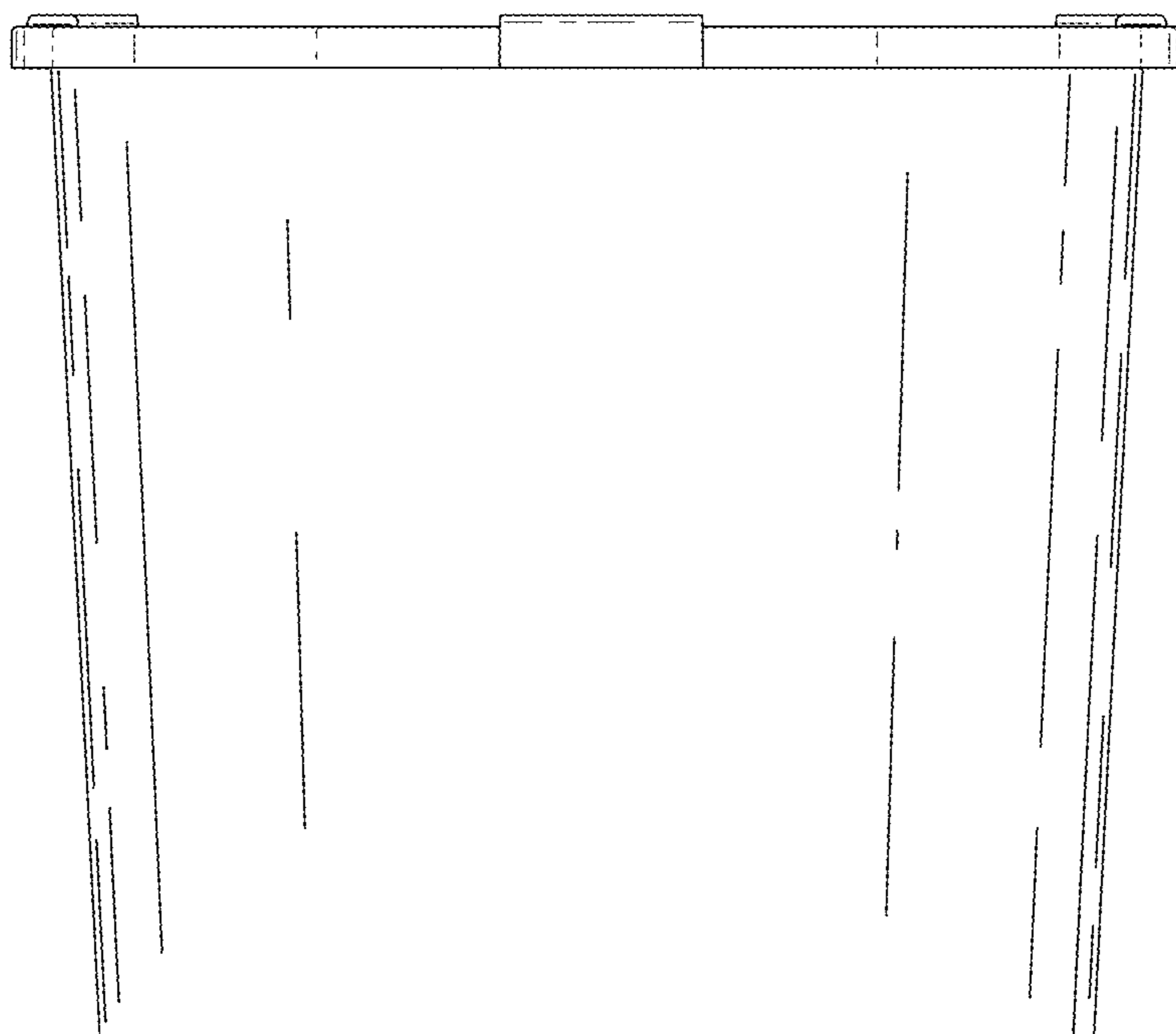
U.S. PATENT DOCUMENTS

D589,214	S *	3/2009	Johnston .....	D30/131
D617,517	S *	6/2010	Bergman .....	D32/53.1
D643,983	S *	8/2011	Lockwood .....	D32/53
D661,855	S *	6/2012	Bergman .....	D32/53.1
8,251,014	B2	8/2012	Hamilton	
8,607,498	B1 *	12/2013	Smith .....	A01K 97/05 43/56
8,733,585	B2	5/2014	Abdi et al.	
8,806,803	B1 *	8/2014	Mitchell .....	A01K 97/06 206/315.11
D722,735	S *	2/2015	Del Rosario Roy .....	D34/8
D756,583	S *	5/2016	Arvinte .....	D32/53
9,371,924	B2 *	6/2016	Foucault .....	B01L 3/50825
D769,561	S *	10/2016	Galbraith .....	D32/53
D783,917	S *	4/2017	Gringer .....	D32/53.1
D785,129	S *	4/2017	Humphreys, Jr. ....	D22/136
2005/0189363	A1	9/2005	Sweet	
2006/0060583	A1 *	3/2006	Fischer .....	B65D 43/0212 220/276
2011/0107974	A1	5/2011	Reusche et al.	

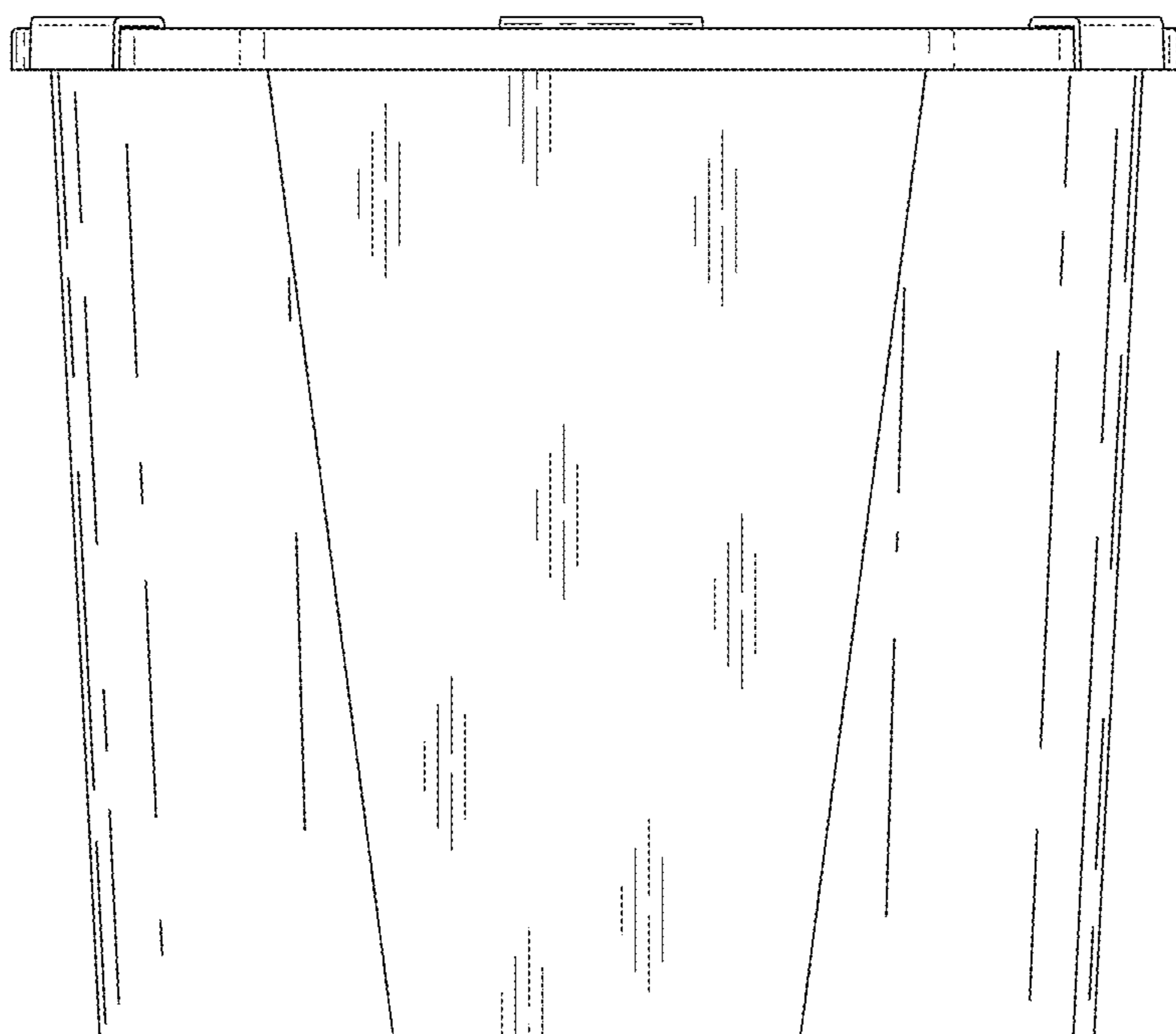
\* cited by examiner



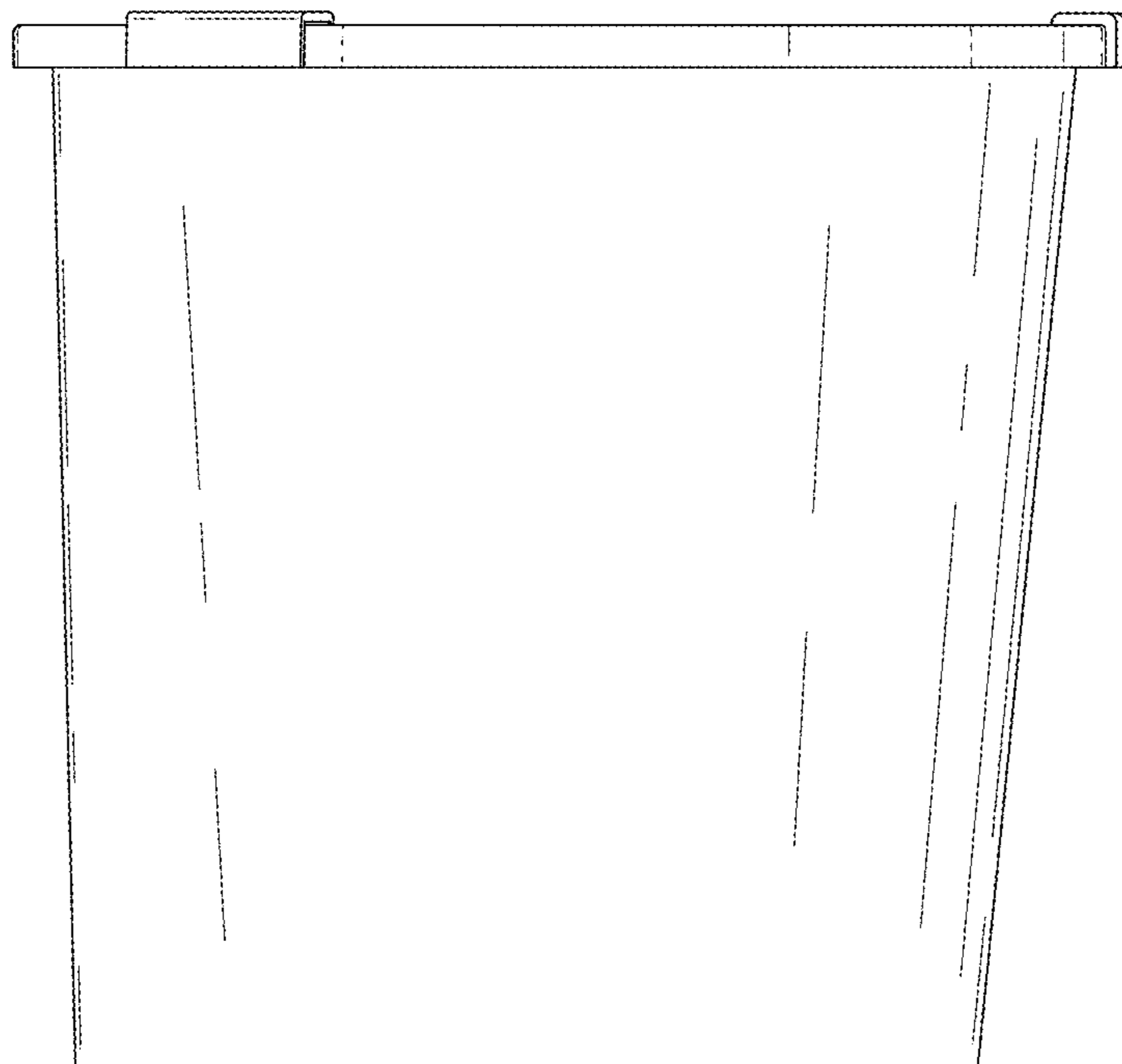
*Fig. 1*



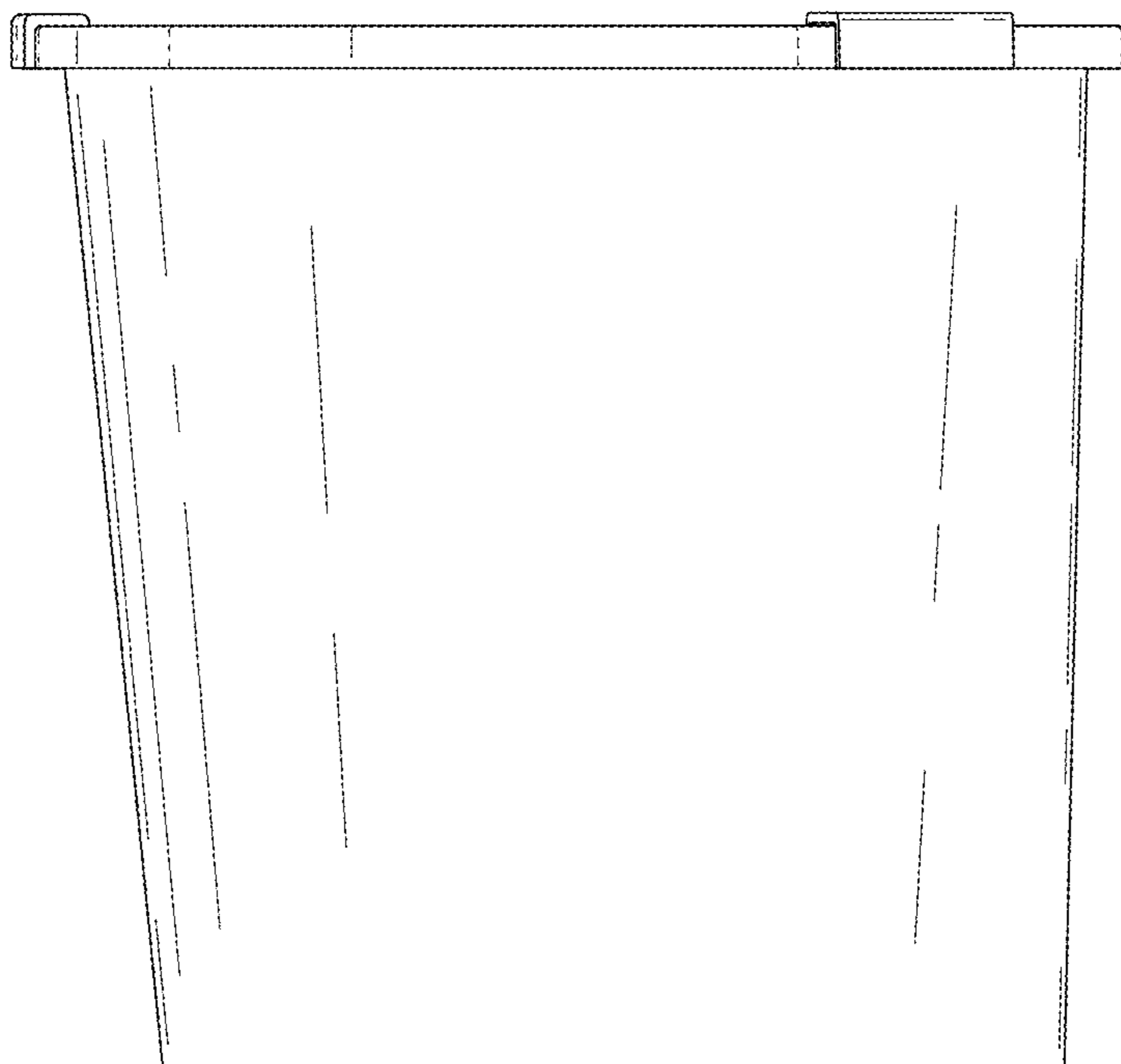
*Fig. 2*



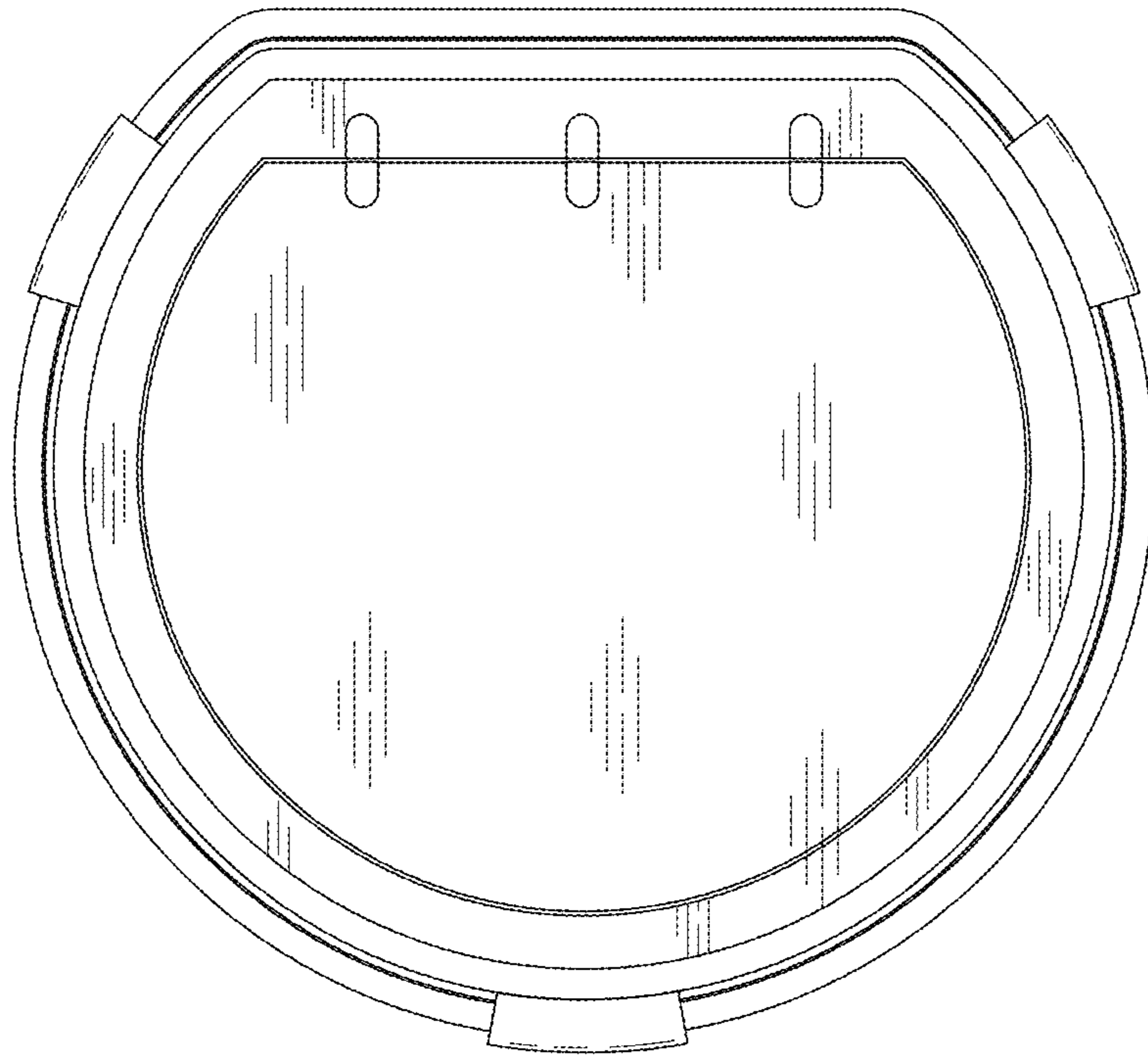
*Fig. 3*



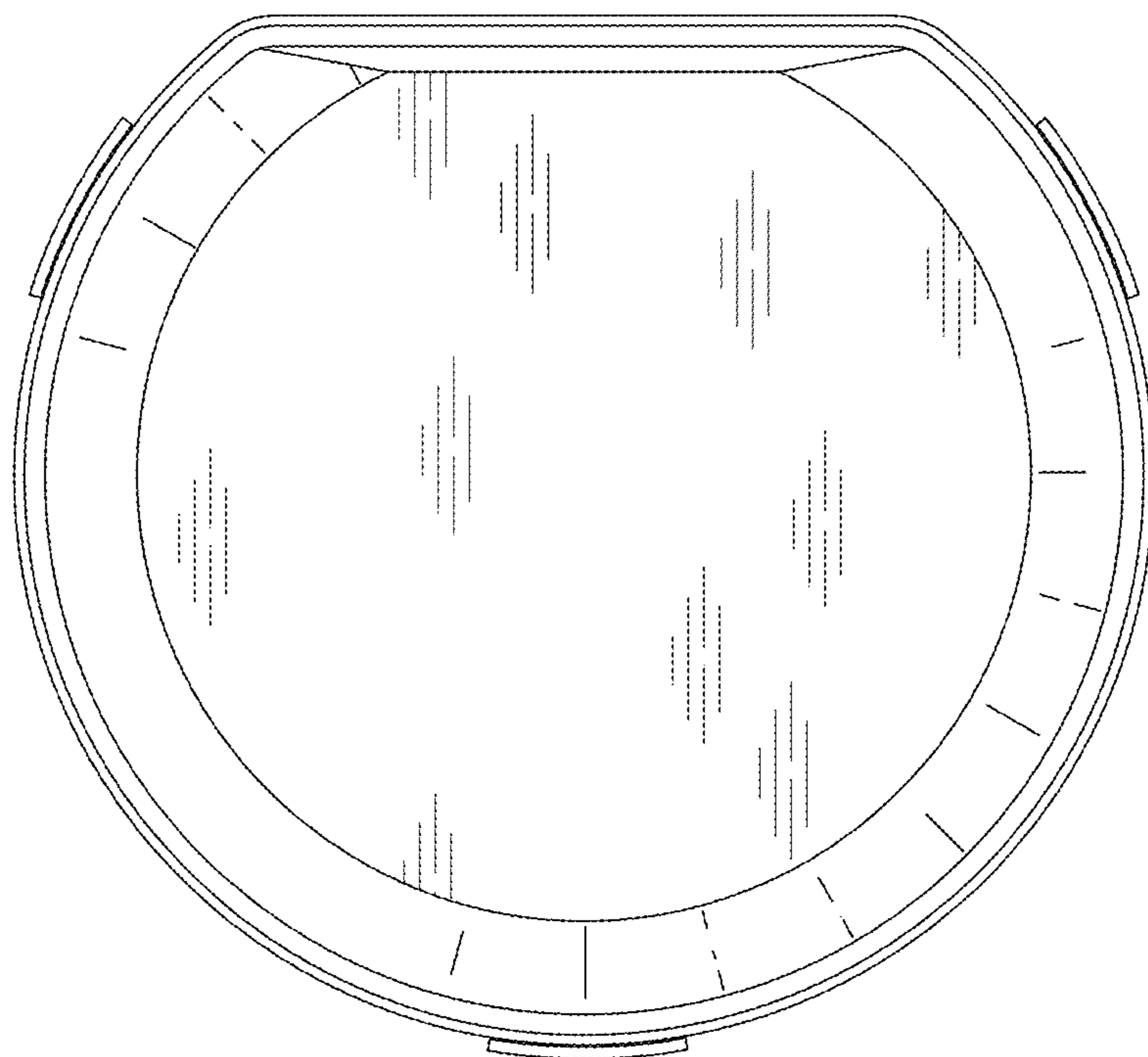
*Fig. 4*



*Fig. 5*



*Fig. 6*



*Fig. 7*