



US00D819896S

(12) **United States Design Patent**
Bartz

(10) **Patent No.:** **US D819,896 S**
(45) **Date of Patent:** **** Jun. 5, 2018**

(54) **AVES CAFE**
(71) Applicant: **Richard Otto Bartz**, Edina, MN (US)
(72) Inventor: **Richard Otto Bartz**, Edina, MN (US)
(73) Assignee: **AVIAN CAFE CORPORATION**,
Edina, MN (US)
(**) Term: **15 Years**

589,541 A * 9/1897 Wilson A62B 1/14
182/192
1,482,056 A * 1/1924 Watkins B65G 7/12
294/26
2,503,068 A 4/1950 Pueschel
2,555,181 A * 5/1951 Brandt A47G 25/06
248/215
2,669,089 A * 2/1954 Straumann G04B 15/12
368/124
2,680,321 A * 6/1954 Premo A01K 83/00
43/44.82

(21) Appl. No.: **29/620,923**
(22) Filed: **Aug. 21, 2017**
(51) **LOC (11) Cl.** **30-03**
(52) **U.S. Cl.**
USPC **D30/127; D30/124**
(58) **Field of Classification Search**
USPC D30/121, 124, 126-129, 133, 199,
D30/110-112, 123, 125; 119/52.2, 51.5,
119/61.5, 57.8, 57.9, 52.3, 61.1, 531, 63,
119/428-435, 52.4, 55, 61.3, 69.5, 75, 76;
47/67, 83; 248/318; D11/164, 152;
211/128.1; D27/123; D6/495, 460, 461,
D6/476, 405; D9/434; D3/328; D7/688;
D34/28; D8/372, DIG. 1; 294/26, 175,
294/170; 472/4, 106, 112
CPC A01K 39/00; A01K 39/01; A01K 39/0113;
A01K 39/012; A01K 39/06; A01K
5/0225; A01K 5/00; A63G 1/32; B65G
7/12
See application file for complete search history.

(Continued)

Primary Examiner — Susan Moon Lee
(74) *Attorney, Agent, or Firm* — Richard John Bartz

(57) **CLAIM**

I claim the ornamental design for an aves cafe, as shown and described.

DESCRIPTION

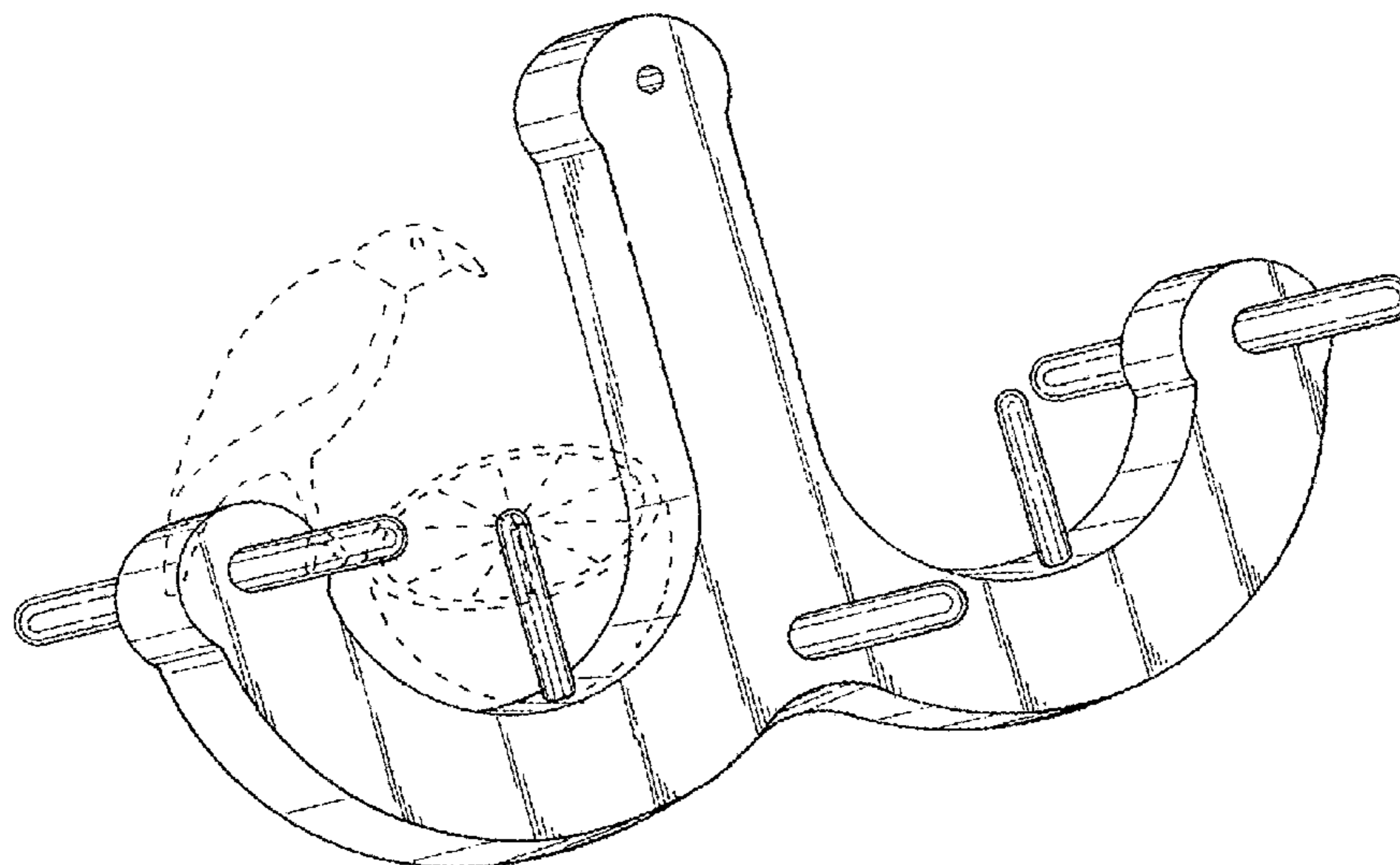
FIG. 1 is a perspective view of a first embodiment of an aves cafe of my design;
FIG. 2 is a front elevational view thereof;
FIG. 3 is a top plan view thereof;
FIG. 4 is a bottom plan view thereof;
FIG. 5 is a right side elevational view thereof;
FIG. 6 is a left side elevational view thereof;
FIG. 7 is a rear elevational view thereof;
FIG. 8 is a perspective view of a second embodiment of an aves cafe of my design; and
FIG. 9 is a front elevational view of FIG. 8;
FIG. 10 is a top plan view of FIG. 8;
FIG. 11 is a bottom plan view of FIG. 8;
FIG. 12 is a right side elevational view of FIG. 8;
FIG. 13 is a left side elevational view of FIG. 8; and,
FIG. 14 is a rear elevational view of FIG. 8.
The broken line showing of a bird and citrus fruit half in FIGS. 1 and 8 illustratively depicts environment and exemplary in-use elements, and forms no part of the design claim.

(56) **References Cited**

U.S. PATENT DOCUMENTS

172,891 A * 2/1876 Poole D06F 5/00
294/23.5
481,763 A * 8/1892 Johnson B21F 1/06
140/102.5
D24,291 S * 5/1895 Somers D34/28
D25,579 S * 6/1896 Thomas D21/412

1 Claim, 14 Drawing Sheets



US D819,896 S

(56)

References Cited

U.S. PATENT DOCUMENTS

2,808,678 A * 10/1957 Leonardi A01K 83/02
43/44.8

3,002,780 A * 10/1961 Eggeman B66C 1/14
24/129 R

3,030,764 A * 4/1962 Heinrich G04B 15/14
368/125

3,059,500 A * 10/1962 Schneiter G04B 11/022
188/82.74

3,090,354 A 5/1963 Frank

3,298,652 A * 1/1967 Burdick B60J 7/104
248/304

D208,426 S * 8/1967 Lodermeler D13/132

D219,111 S * 11/1970 Moen 294/170

3,595,569 A * 7/1971 Holte A63G 1/32
472/106

3,738,101 A * 6/1973 Simon-Vermot G04B 15/14
368/125

D228,002 S * 7/1973 Silverman D21/412

3,826,076 A * 7/1974 Tuetey G04B 15/08
368/129

4,051,953 A * 10/1977 Shoaf

4,607,597 A 8/1986 Sevigay

D296,416 S * 6/1988 Fawcett D8/354

4,865,374 A * 9/1989 Gonda B66C 1/36
24/598.4

D308,015 S * 5/1990 Volpe D12/317

4,955,650 A * 9/1990 Davey A47J 45/10
294/12

5,025,753 A 6/1991 Schneider

D318,789 S * 8/1991 Oltrogge D3/315

D331,360 S * 12/1992 Adams 24/711.4

D337,806 S * 7/1993 Nolan D21/823

D339,623 S * 9/1993 Nolan D21/823

D339,624 S * 9/1993 Nolan D21/823

5,247,904 A 9/1993 Anderson

5,297,321 A * 3/1994 Murai A45C 13/00
24/598.7

D359,235 S * 6/1995 Kennedy 294/137

5,487,581 A * 1/1996 Carmo A45F 5/1026
294/137

5,505,664 A * 4/1996 Nolan A63G 9/20
297/245

D373,948 S * 9/1996 Etzel D8/367

D374,620 S * 10/1996 McQuade D9/434

D379,432 S * 5/1997 Santini D9/434

D380,670 S * 7/1997 Blocker D9/434

D380,878 S 7/1997 Brown

5,660,099 A * 8/1997 Figueira, Jr. A47J 45/10
294/26

D385,788 S * 11/1997 Risser 294/137

D386,409 S * 11/1997 Santini D9/434

D388,326 S * 12/1997 Gurry D9/434

5,737,778 A * 4/1998 Black A47K 13/105
4/246.1

D399,611 S 10/1998 Ericson

5,947,054 A 9/1999 Liethen

D420,469 S * 2/2000 Marshall D29/124

D421,221 S * 2/2000 O'Kane D3/328

D422,122 S 3/2000 Vore et al.

D422,755 S 4/2000 Calwell

D431,330 S 9/2000 Jones

D436,024 S * 1/2001 Freedland D8/367

D443,503 S * 6/2001 Harvey D8/367

6,267,343 B1 * 7/2001 Waisbrod F16L 3/11
248/317

6,482,096 B1 * 11/2002 Rieber A63G 9/00
472/118

6,634,611 B1 * 10/2003 Shih F16M 11/10
248/291.1

6,672,249 B2 1/2004 Lucio

D493,094 S * 7/2004 Goodman D8/372

D507,961 S * 8/2005 Goodman D6/323

D564,243 S * 3/2008 Zhang D6/323

D569,446 S * 5/2008 VanElverdinghe D21/412

D574,224 S * 8/2008 Zhang D8/372

D587,182 S * 2/2009 Walton D12/215

D589,331 S * 3/2009 Zhang D8/367

D591,004 S * 4/2009 Rickman D29/124

D595,130 S * 6/2009 Bizzell D9/434

D607,311 S * 1/2010 Snider D8/367

D635,844 S * 4/2011 Boothby D8/367

8,118,480 B2 * 2/2012 Gigandet G04B 17/06
368/133

8,147,119 B2 4/2012 Kien

D663,646 S * 7/2012 Gigandet D10/128

D678,625 S * 3/2013 Carter D30/119

8,613,416 B2 * 12/2013 White A47G 7/047
211/106.01

D697,403 S * 1/2014 Rendo D9/434

D702,120 S * 4/2014 Rendo D9/434

D702,550 S * 4/2014 Rendo D9/434

D722,255 S * 2/2015 Daudelin D8/14

9,055,939 B2 * 6/2015 Fujisaki A61B 17/0487

9,089,111 B2 7/2015 King et al.

9,126,757 B2 * 9/2015 Dunham B65G 7/12

D748,473 S * 2/2016 Rendo D9/434

9,462,790 B2 10/2016 King et al.

D806,959 S * 1/2018 Bartz D30/127

D808,085 S * 1/2018 Bartz D30/127

2008/0066370 A1 * 3/2008 Wichern A01K 83/00
43/44.83

2017/0188560 A1 * 7/2017 Graham A01K 83/00

* cited by examiner

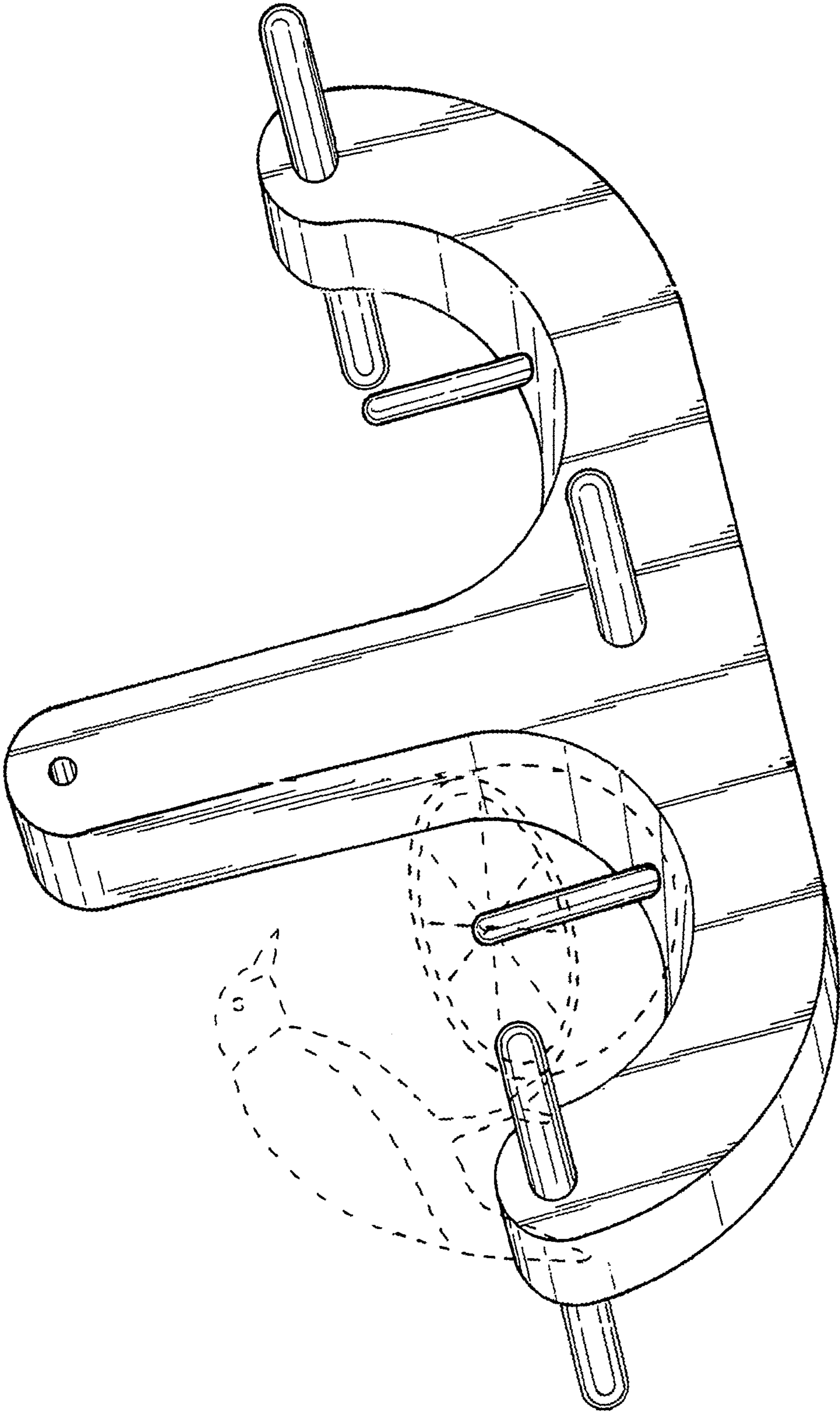


FIG.1

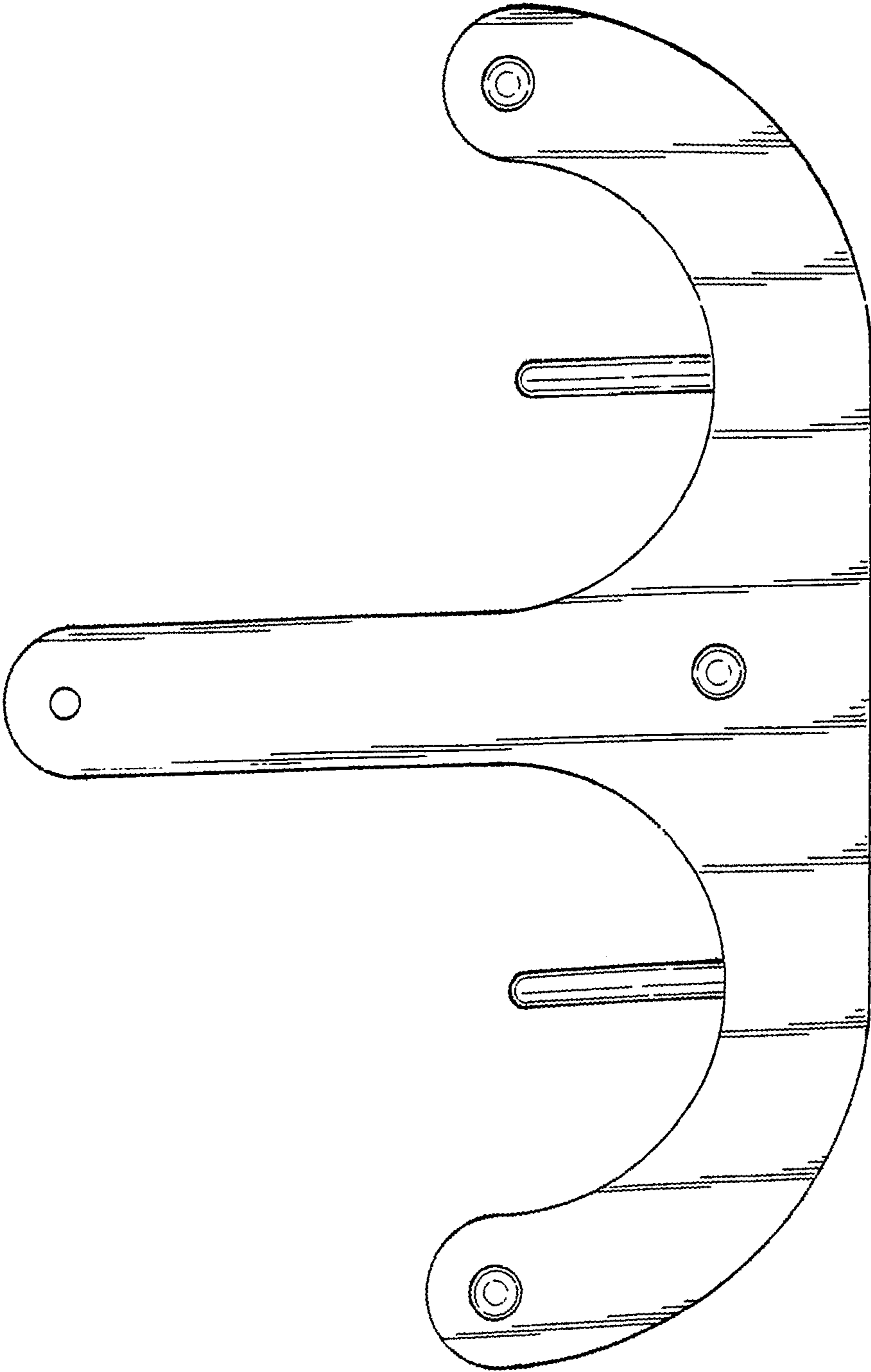


FIG.2

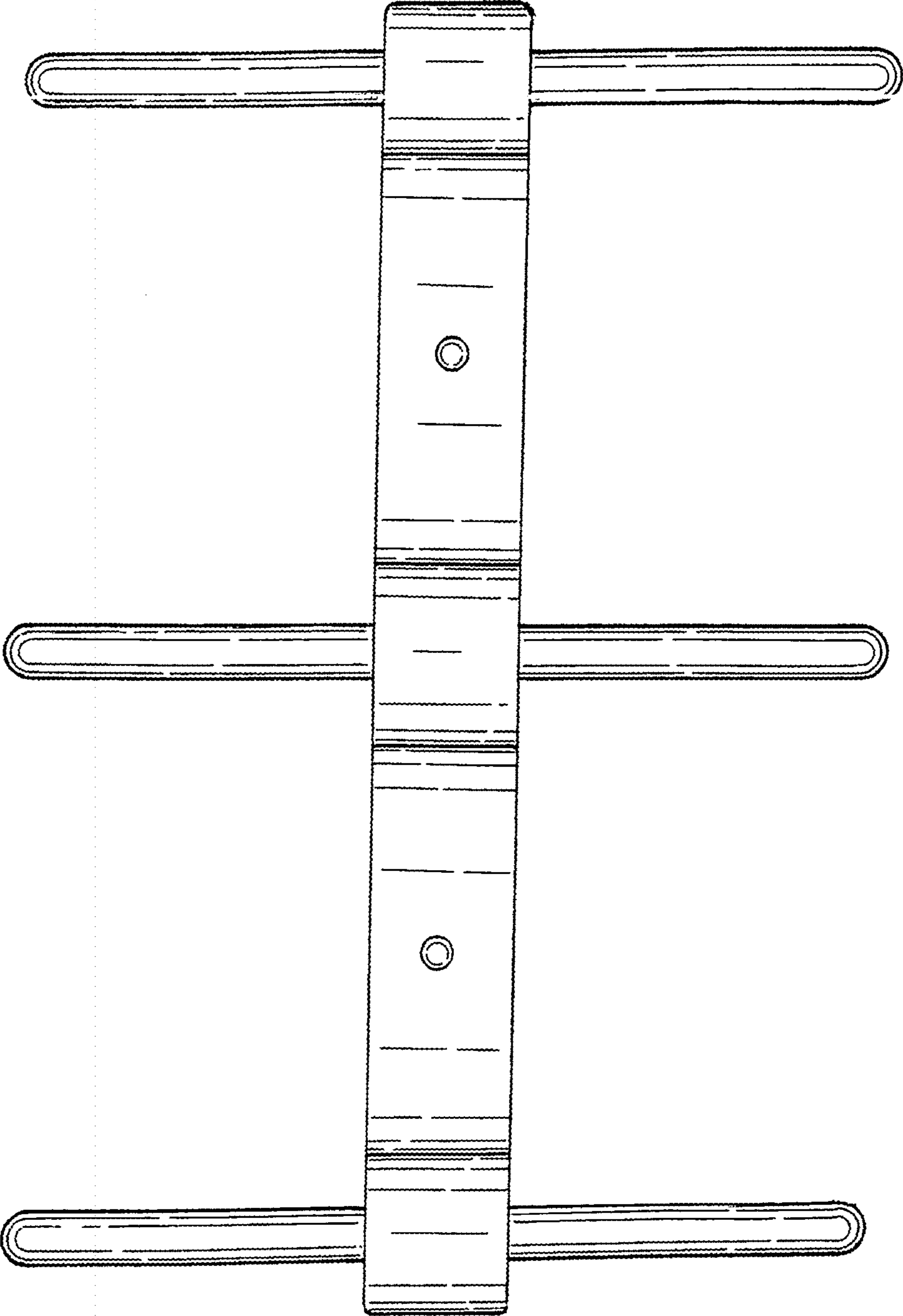


FIG.3

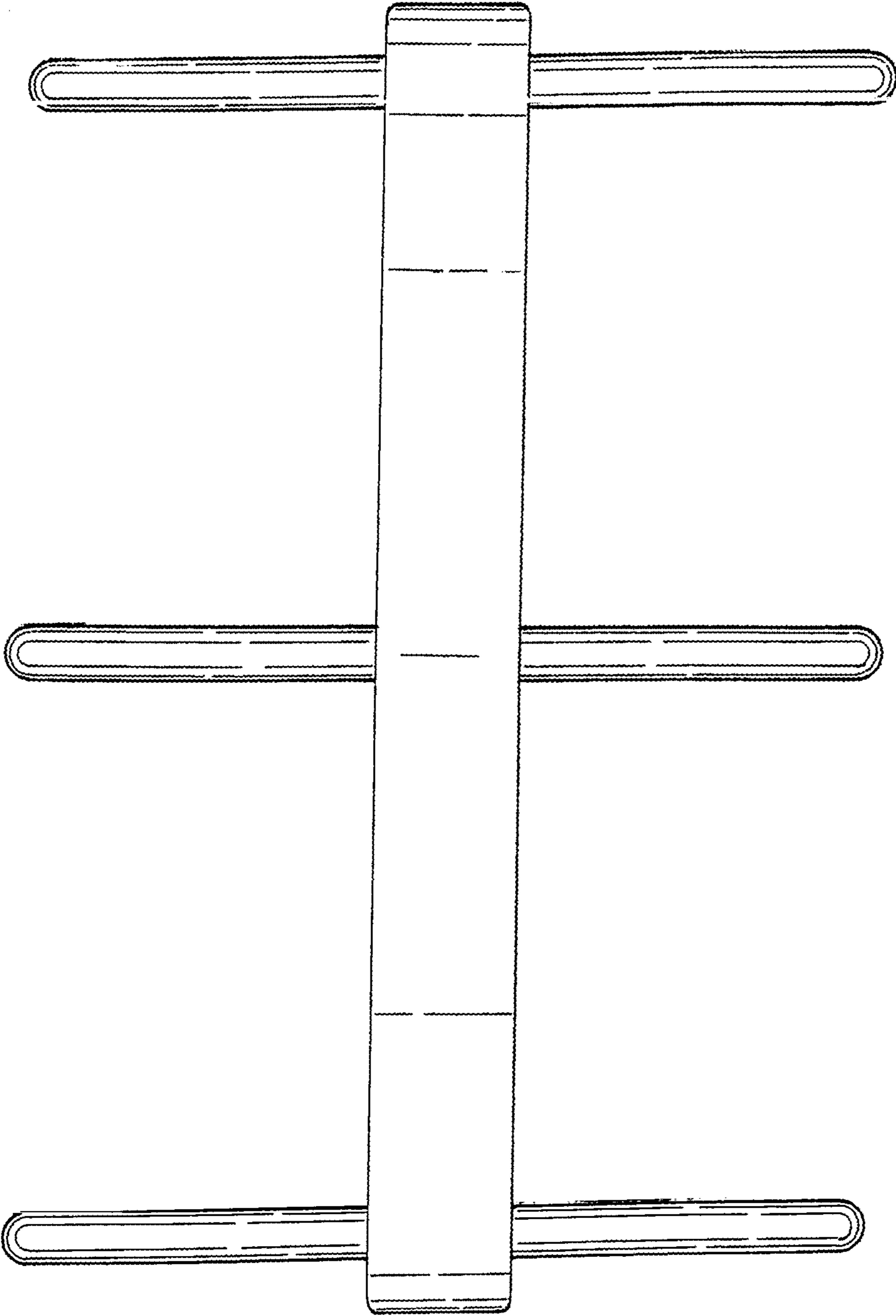


FIG.4

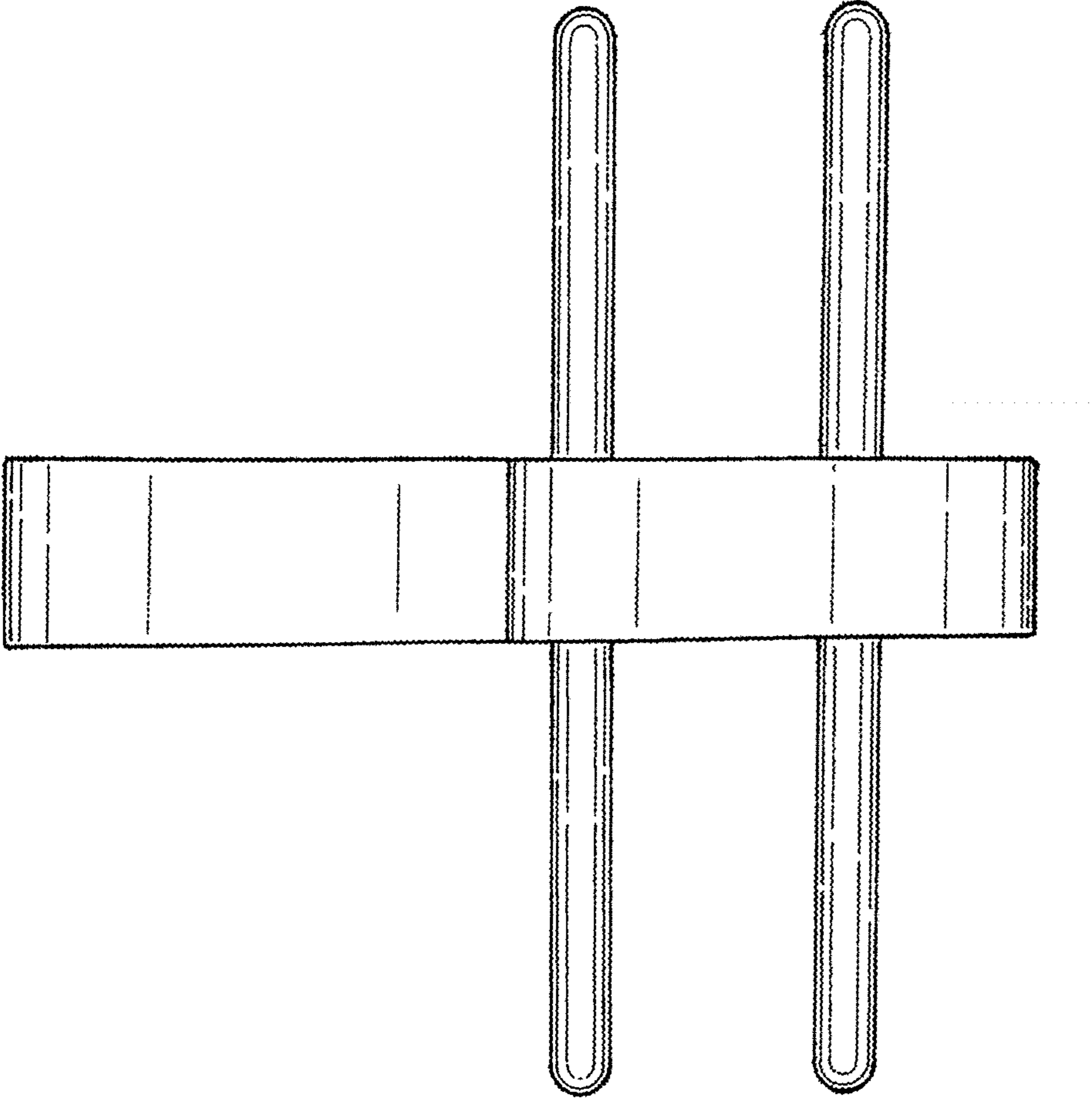


FIG.5

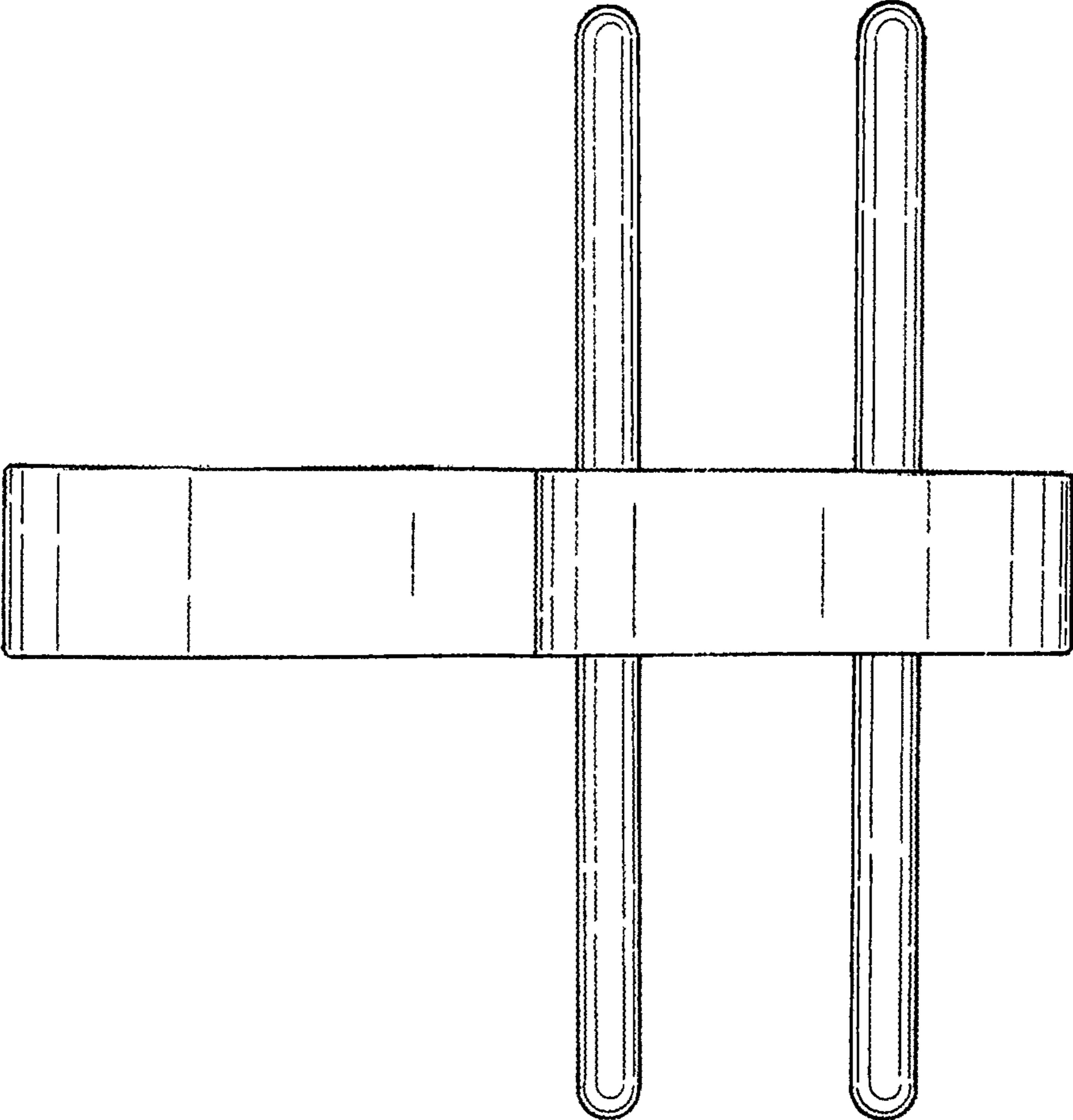


FIG.6

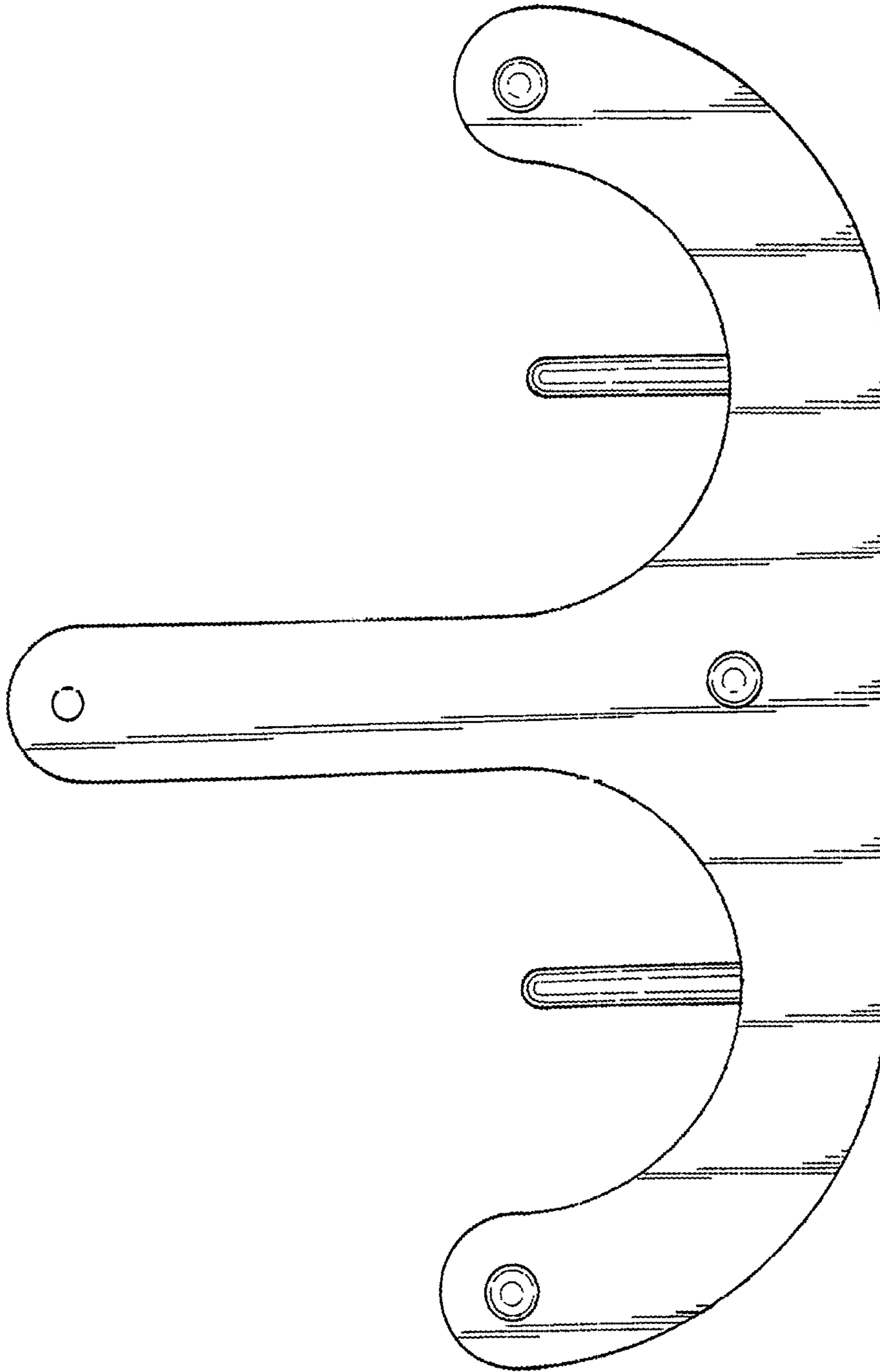


FIG. 7

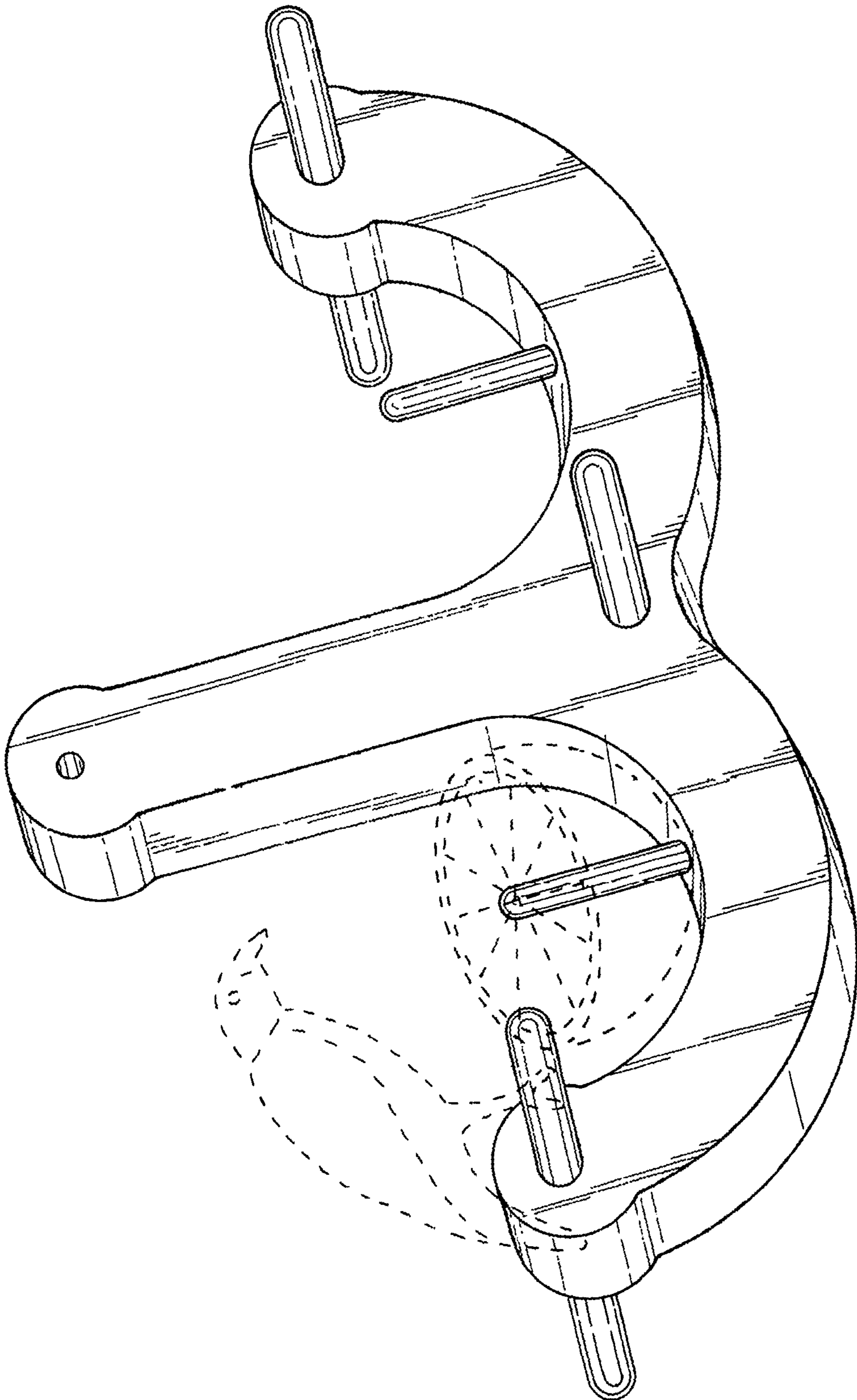


FIG. 8

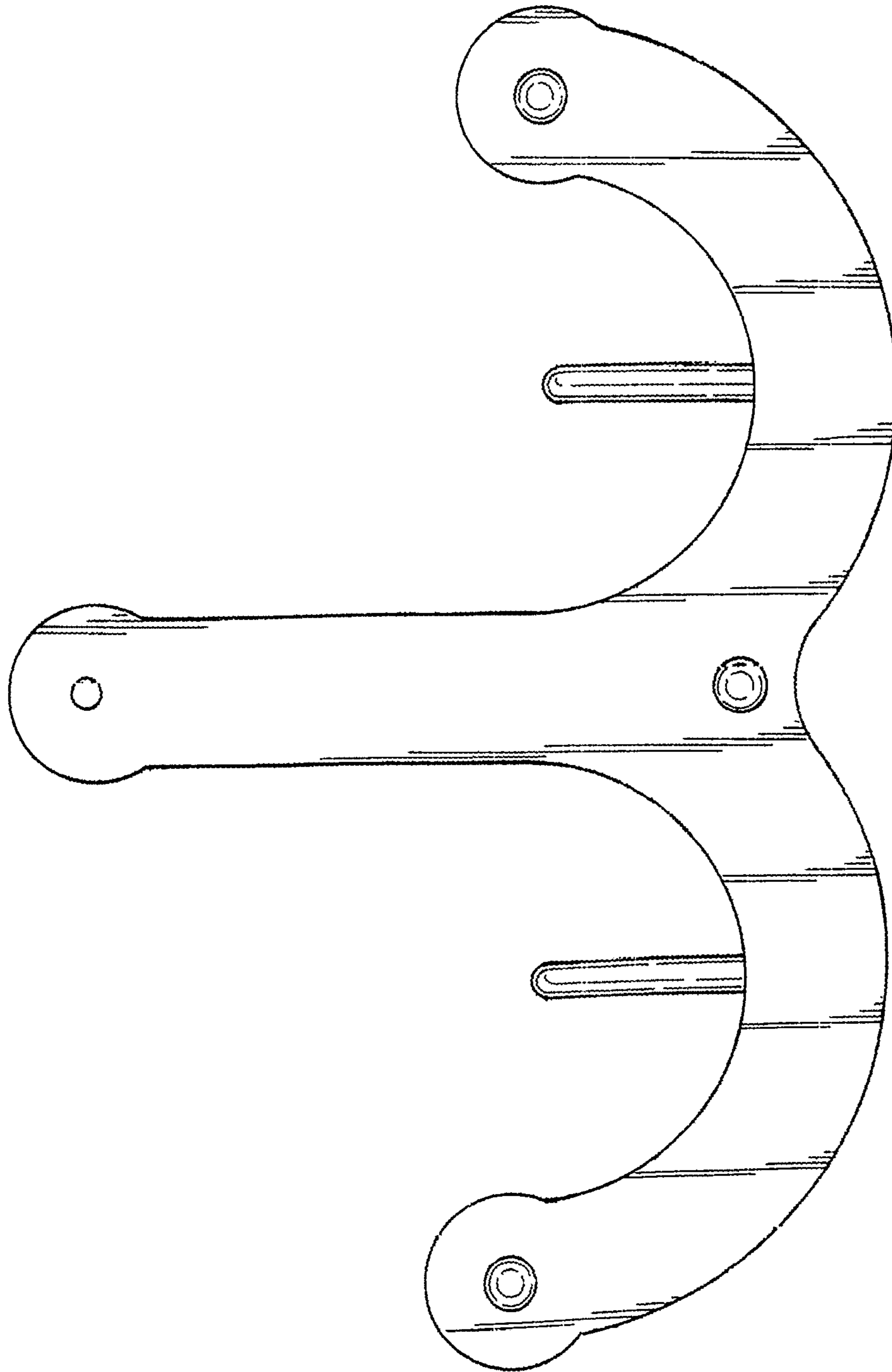


FIG.9

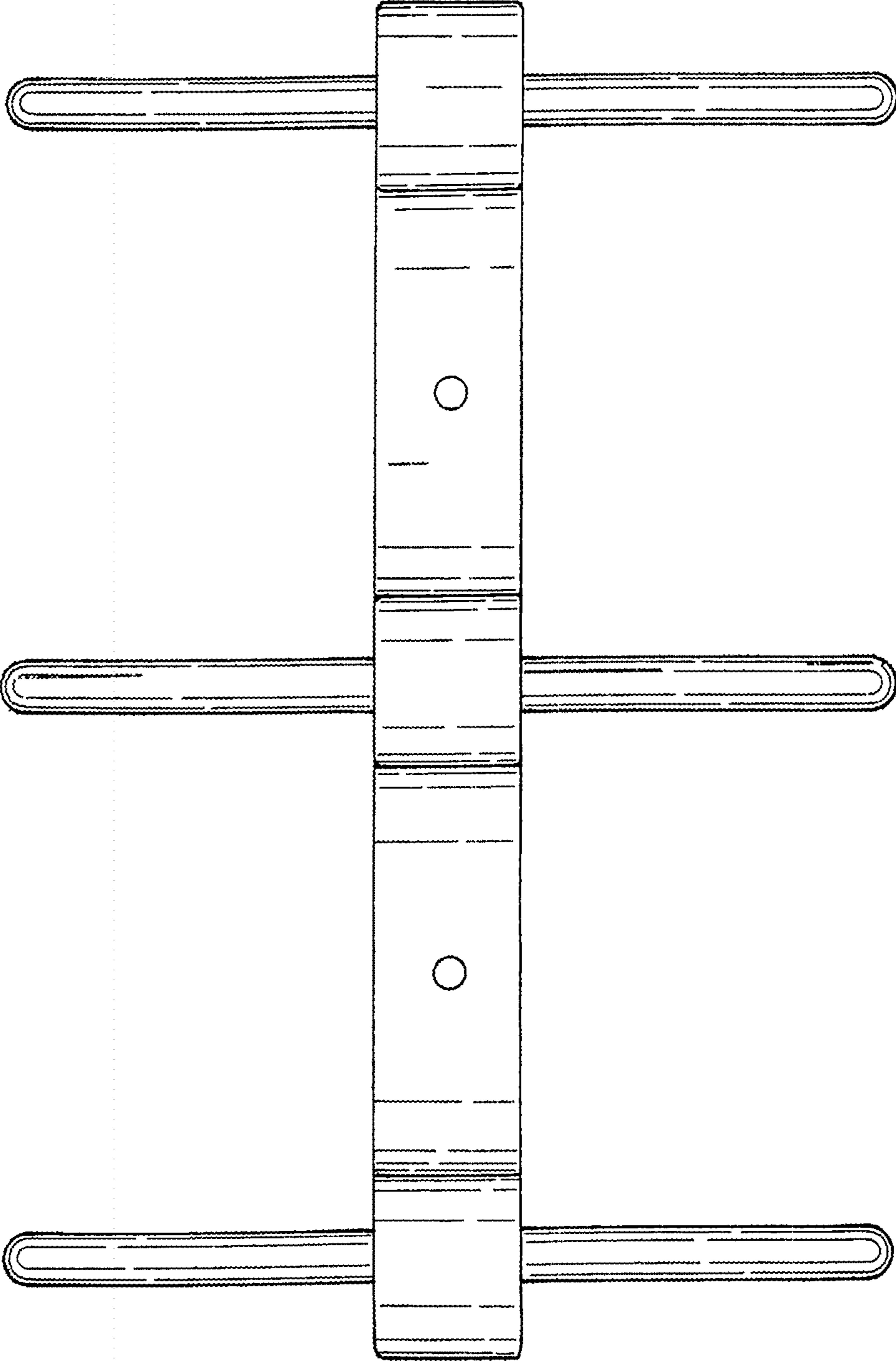


FIG.10

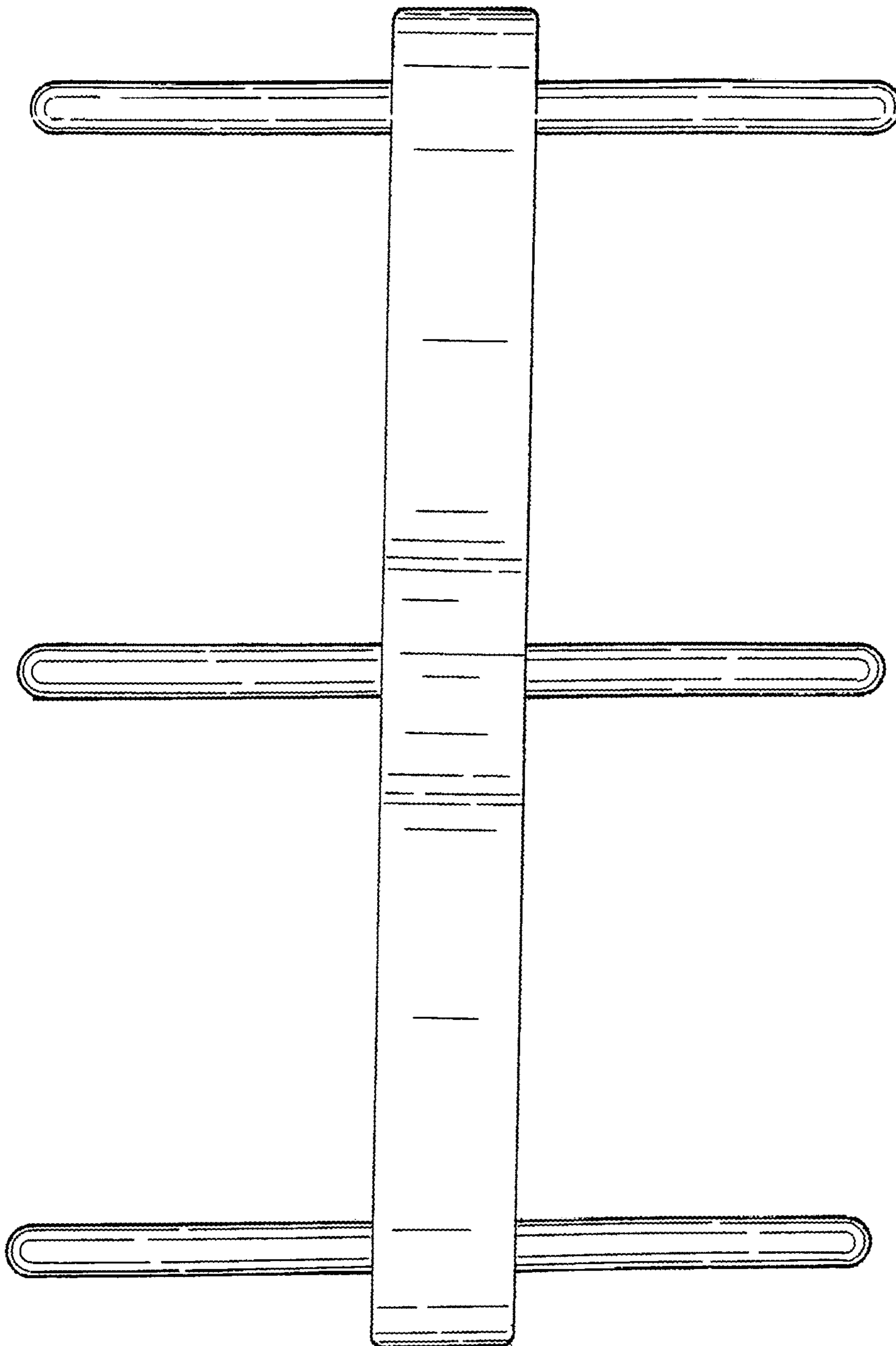


FIG.11

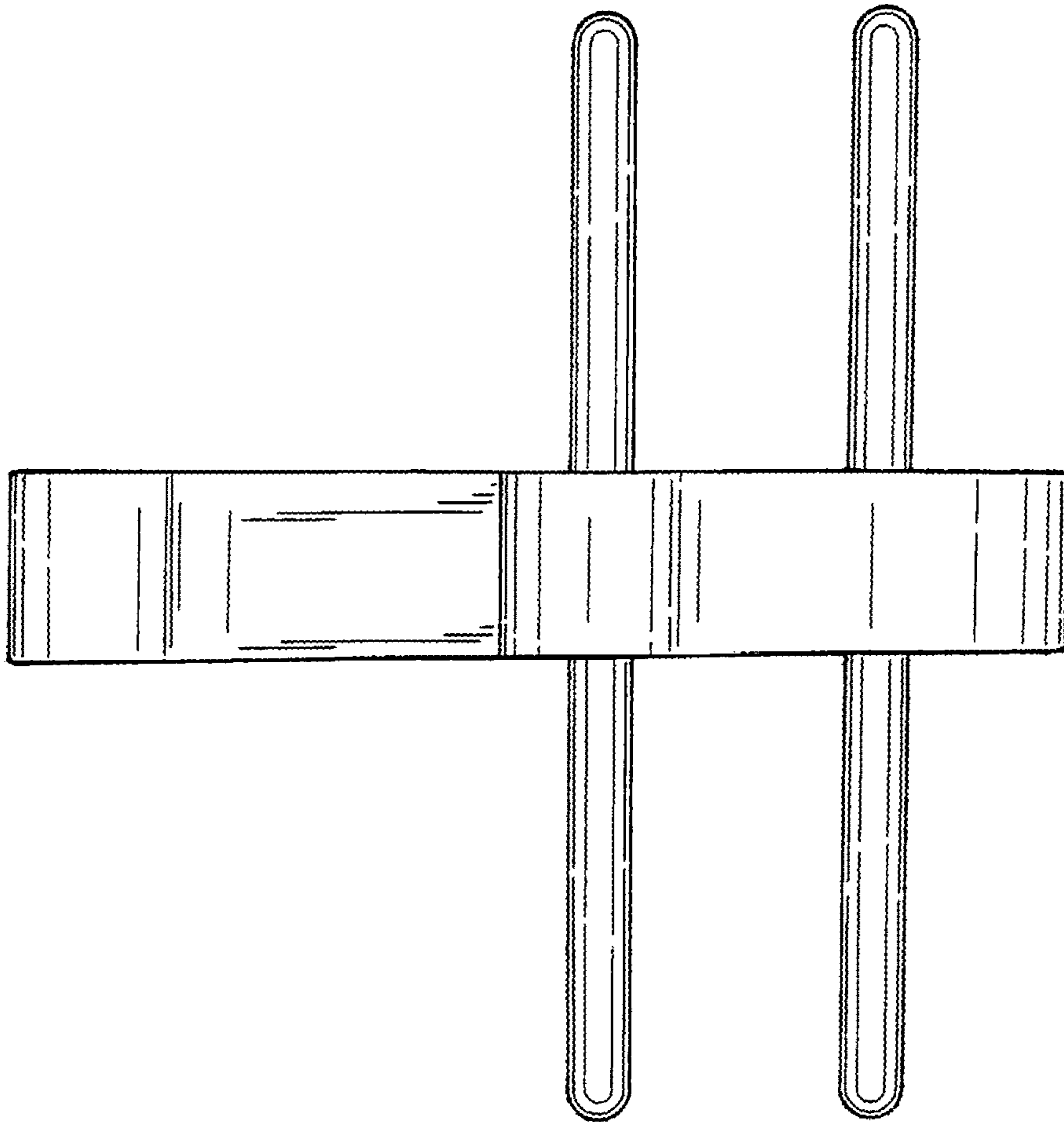


FIG.12

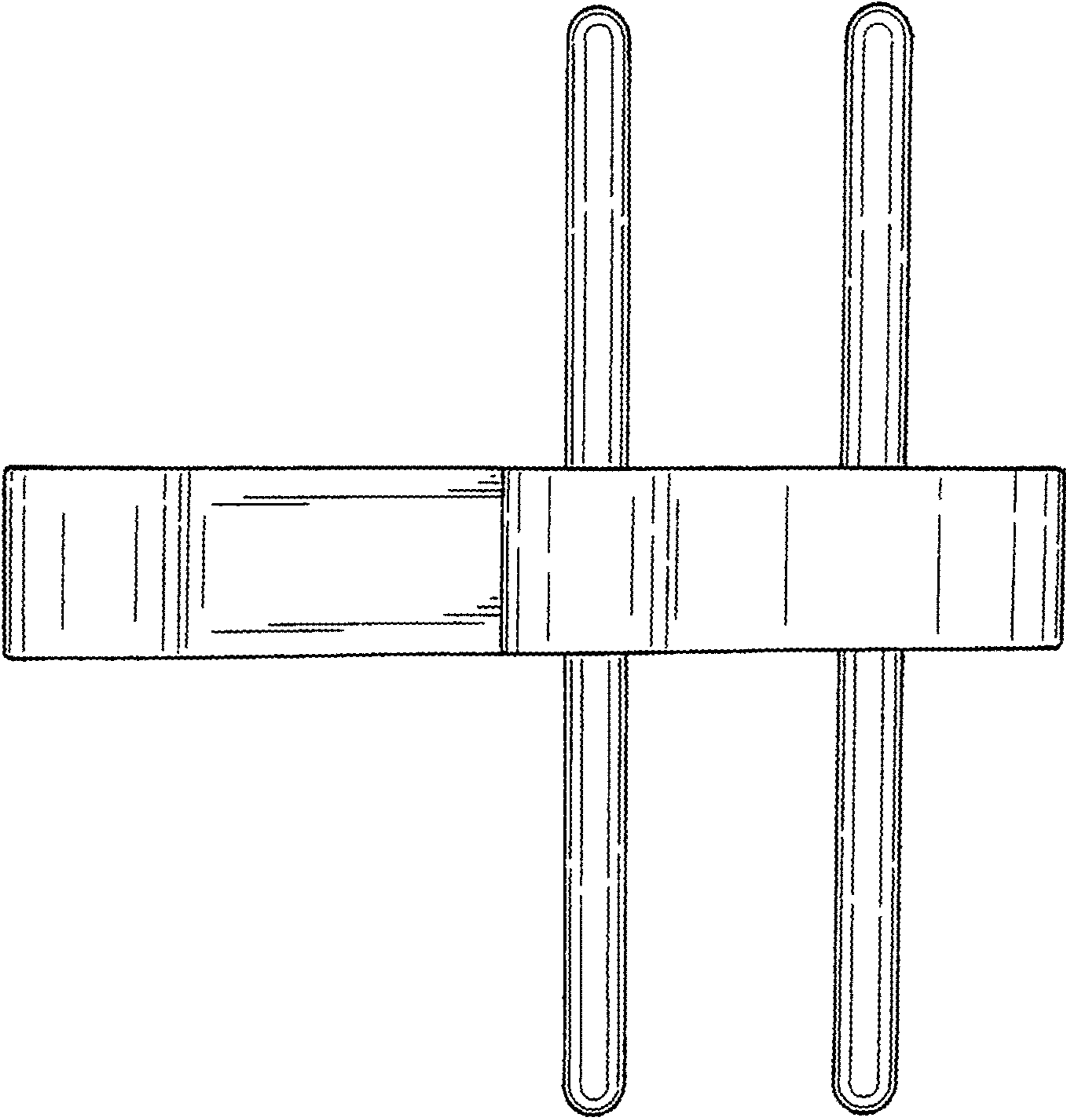


FIG.13

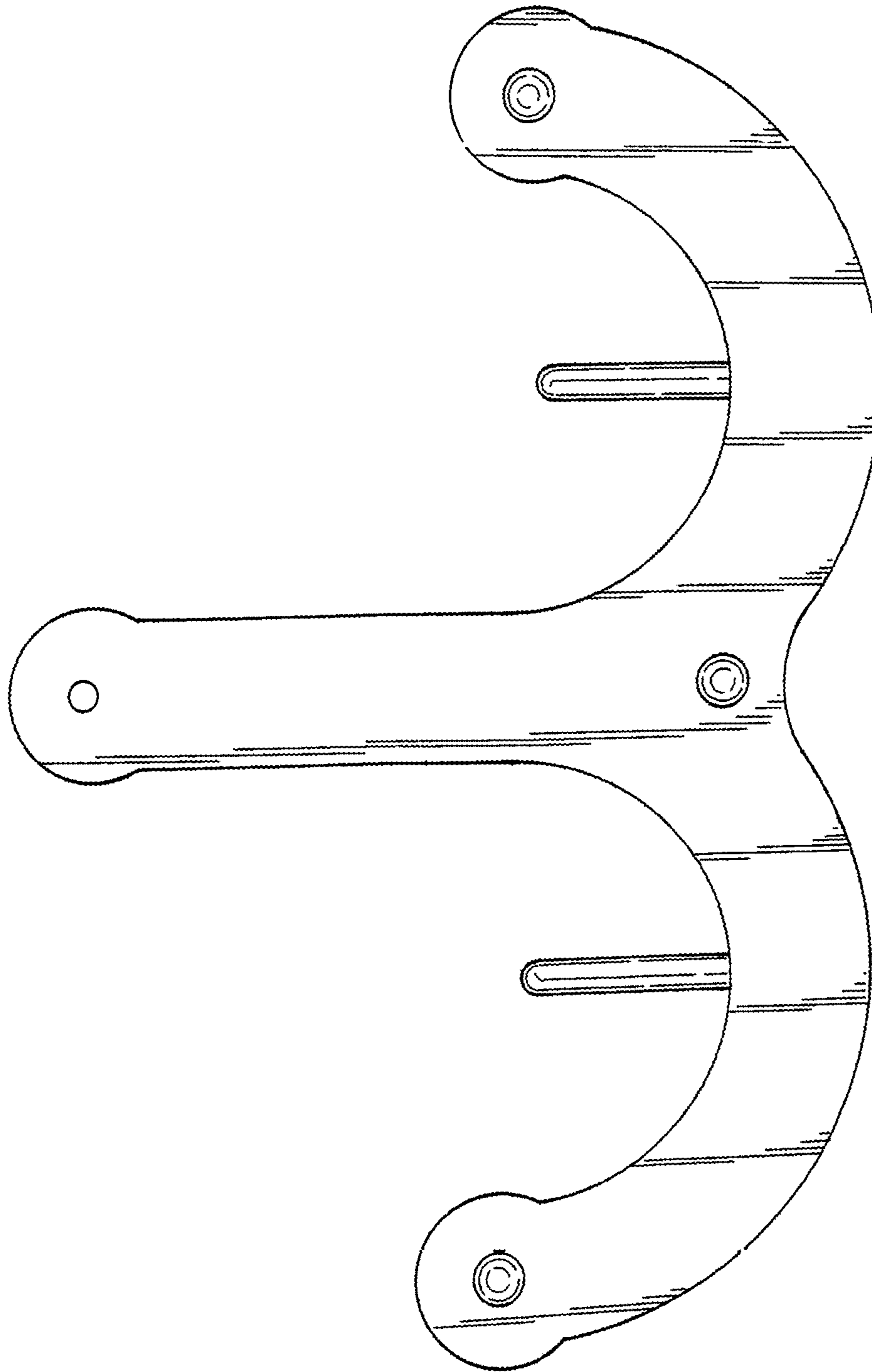


FIG.14