



US00D819891S

(12) **United States Design Patent**  
**Kenig et al.**

(10) **Patent No.:** **US D819,891 S**  
(45) **Date of Patent:** **\*\* Jun. 5, 2018**

(54) **BROW GAUGE TWEEZER**

(71) Applicants: **Richard Kenig**, Brooklyn, NY (US);  
**Sanjaya Kolonne**, Victoria (AU)

(72) Inventors: **Richard Kenig**, Brooklyn, NY (US);  
**Sanjaya Kolonne**, Victoria (AU)

(\*\*) Term: **15 Years**

(21) Appl. No.: **29/585,948**

(22) Filed: **Nov. 30, 2016**

(51) **LOC (11) Cl.** ..... **28-03**

(52) **U.S. Cl.**  
USPC ..... **D28/55**

(58) **Field of Classification Search**  
USPC ..... D28/55; D24/143; D10/70-71  
CPC ..... A45D 26/0066; A45D 26/0071; A45D  
29/02; B25B 9/02; A61B 17/30; A61B  
17/50; A61B 17/28; A61B 17/505  
See application file for complete search history.

(56) **References Cited**

**U.S. PATENT DOCUMENTS**

- 3,818,784 A \* 6/1974 McClure ..... B25B 9/02  
294/99.2
- 4,761,028 A \* 8/1988 Dulebohn ..... A61B 17/30  
294/99.2
- D301,371 S \* 5/1989 Kaprelian ..... D24/143
- D331,800 S \* 12/1992 Han ..... D24/143
- D468,485 S \* 1/2003 Love ..... D28/59
- D506,573 S \* 6/2005 de Grandcourt ..... D28/55

- D543,662 S \* 5/2007 Bivona ..... D24/143
- 2002/0094507 A1 \* 7/2002 Feuer ..... A61B 17/30  
433/162
- 2005/0255421 A1 \* 11/2005 Michaelson ..... A61C 3/10  
433/4

**FOREIGN PATENT DOCUMENTS**

CN 201719318 \* 1/2011 ..... A61B 17/28

\* cited by examiner

*Primary Examiner* — Jennifer Rivard

(74) *Attorney, Agent, or Firm* — Gloria Tsui-Yip;  
Gottlieb, Rackman & Reisman, P.C.

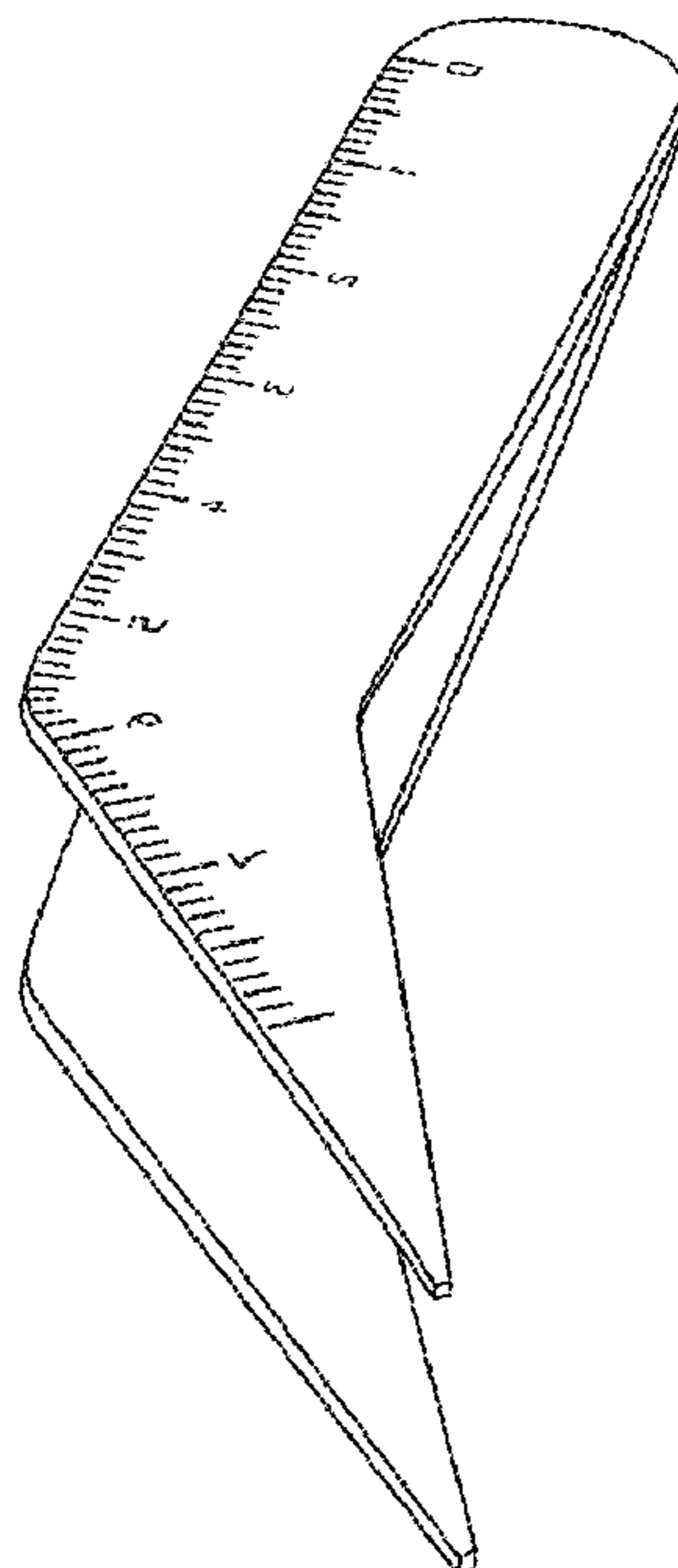
(57) **CLAIM**

The ornamental design for a brow gauge tweezer, as shown and described.

**DESCRIPTION**

FIG. 1 is a perspective view of my new design;  
 FIG. 2 is a front elevational view thereof;  
 FIG. 3 is another perspective view thereof;  
 FIG. 4 is a rear elevational view thereof;  
 FIG. 5 is another perspective view thereof;  
 FIG. 6 is another perspective view thereof;  
 FIG. 7 is a perspective view of a second embodiment of my new design;  
 FIG. 8 is a front elevational view thereof;  
 FIG. 9 is another perspective view thereof;  
 FIG. 10 is a rear elevational view thereof;  
 FIG. 11 is another perspective view thereof; and,  
 FIG. 12 is another perspective view thereof.

**1 Claim, 6 Drawing Sheets**



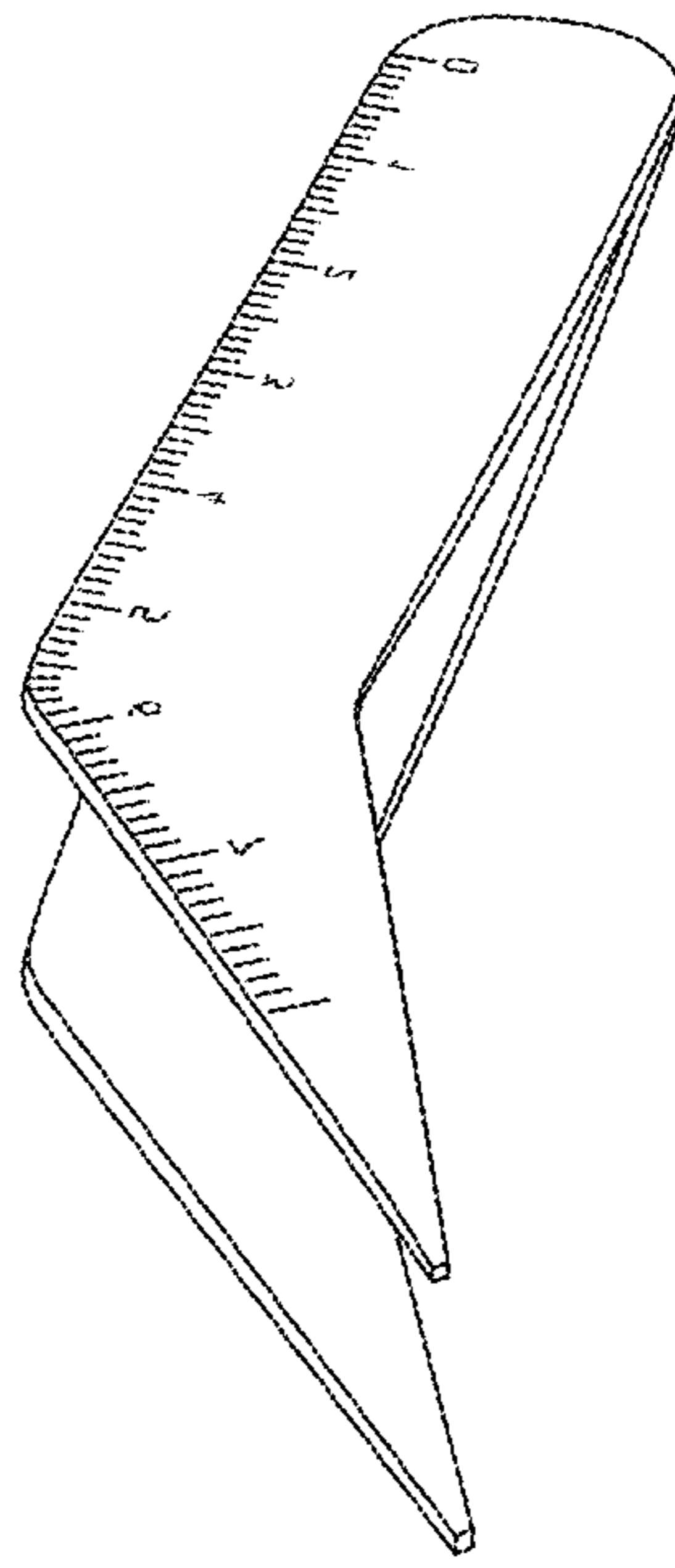


FIG. 1

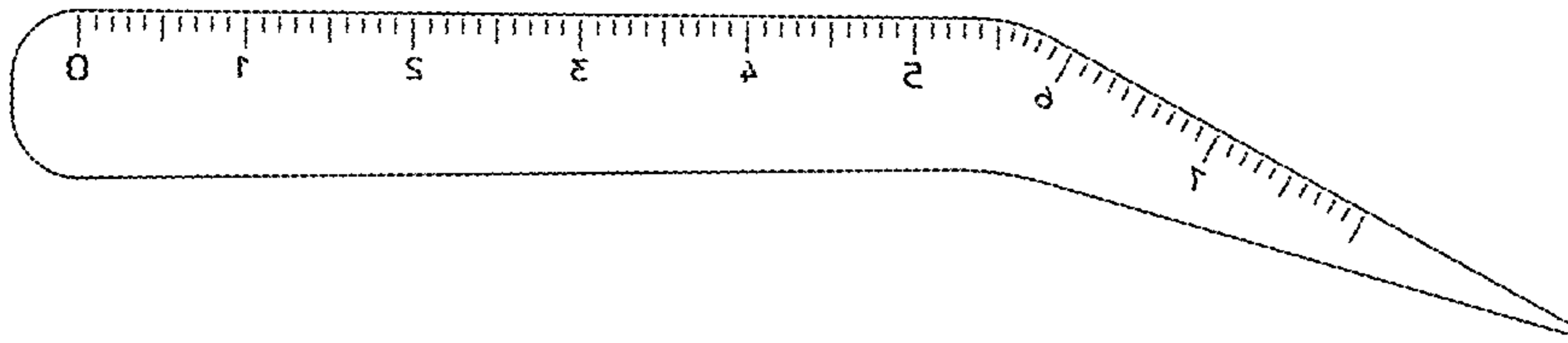


FIG. 2

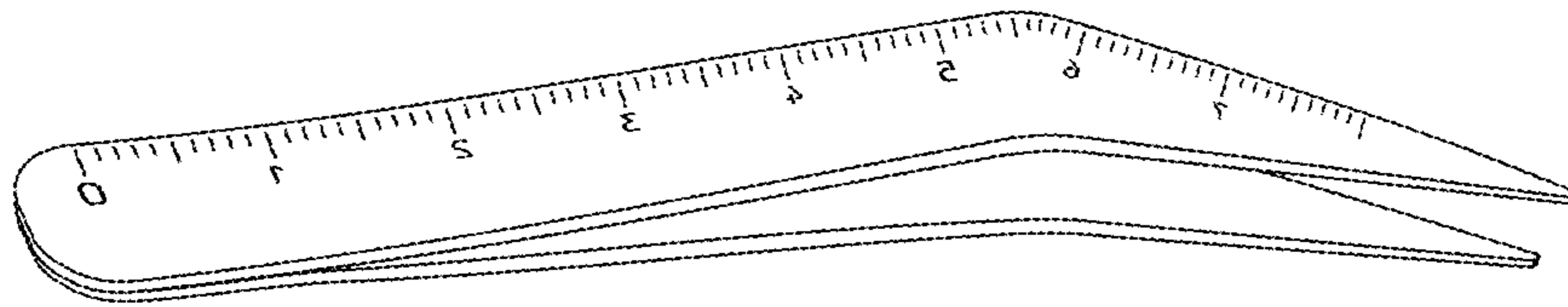


FIG. 3

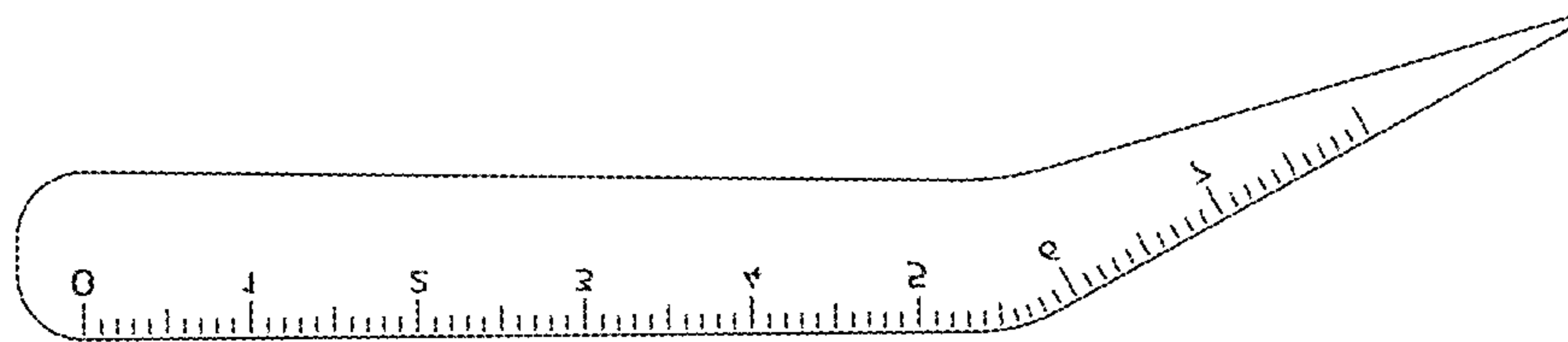


FIG. 4

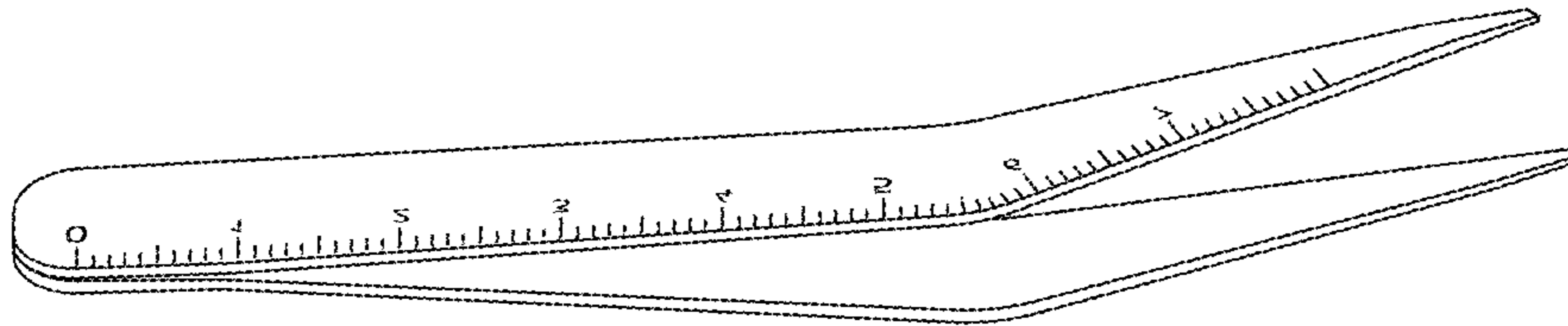


FIG. 5

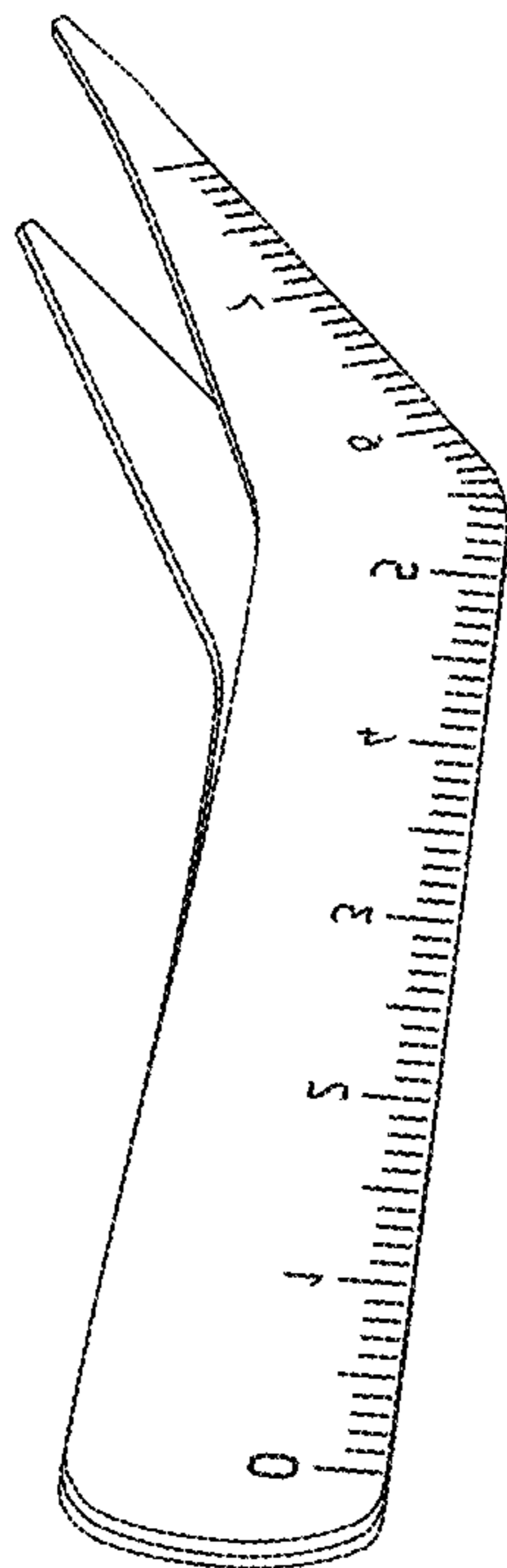


FIG. 6

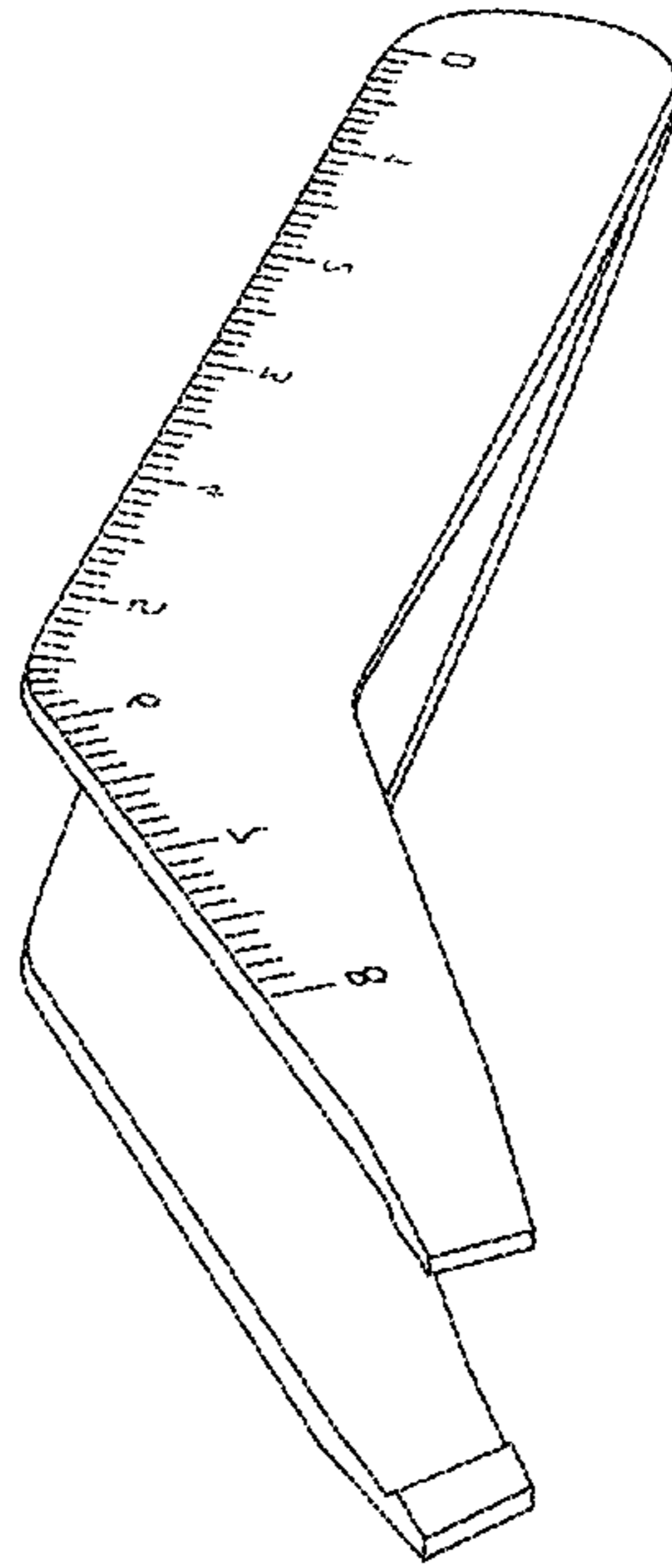


FIG. 7

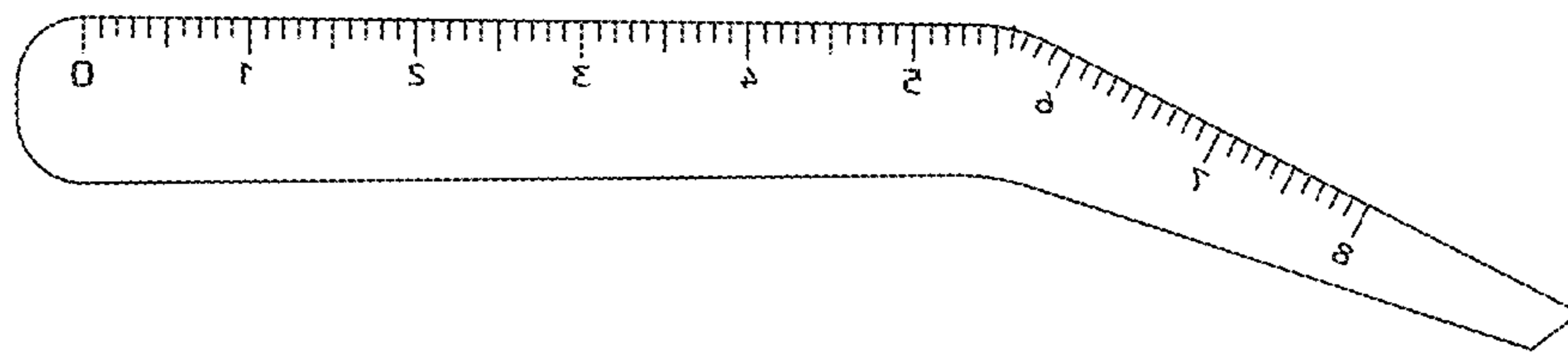


FIG. 8

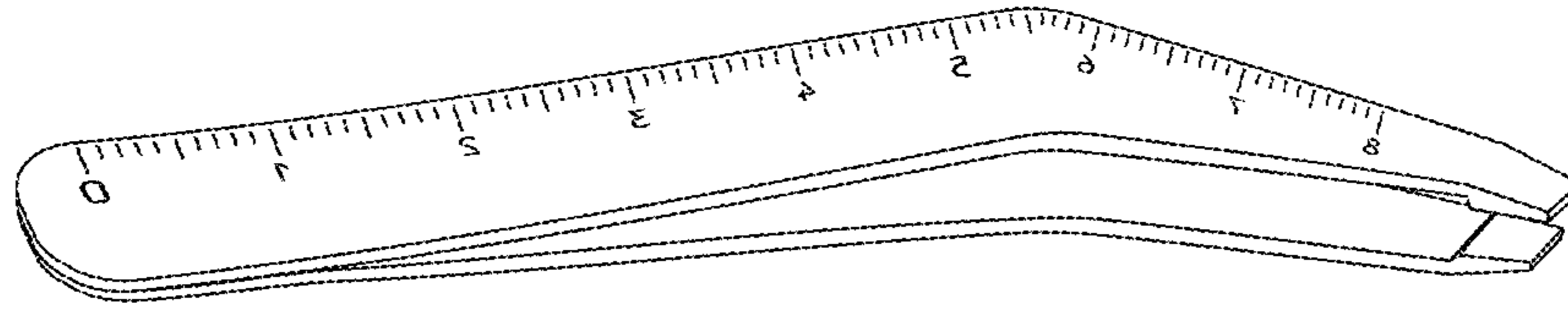


FIG. 9

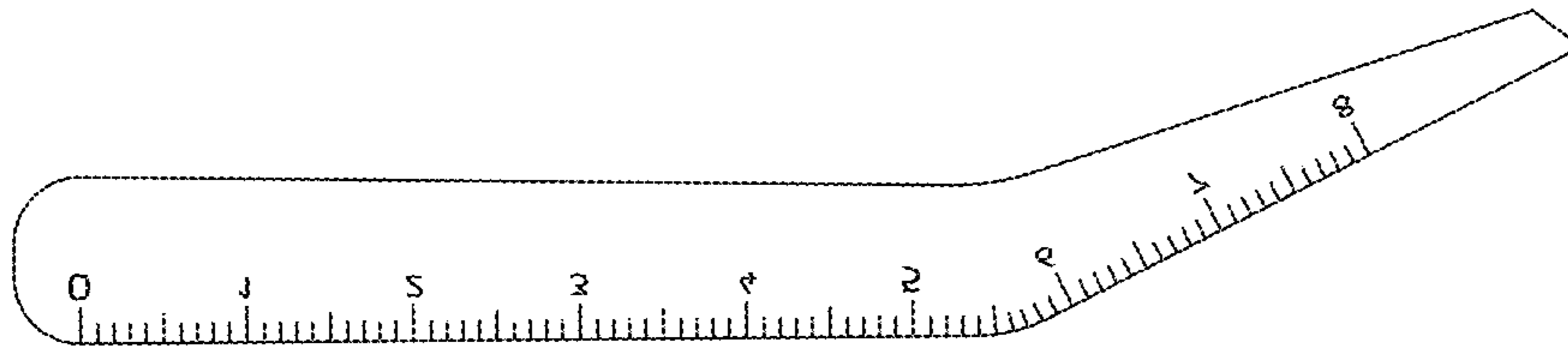


FIG. 10

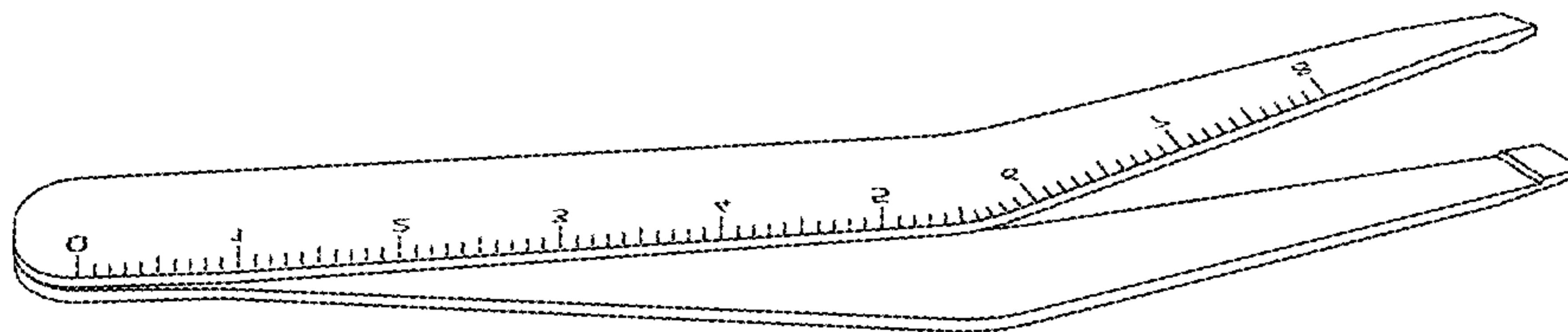


FIG. 11

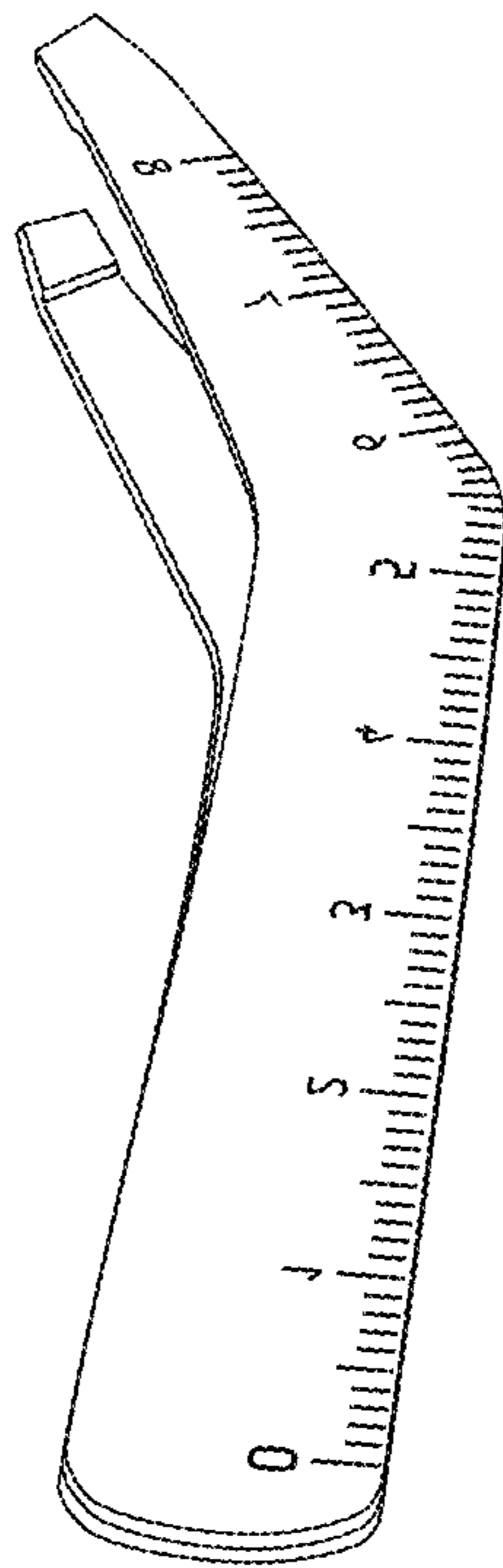


FIG.12