



US00D819890S

(12) **United States Design Patent**  
**Gross**

(10) **Patent No.:** **US D819,890 S**  
(45) **Date of Patent:** **\*\* Jun. 5, 2018**

- (54) **HAIR CLIPPER COVER**
- (71) Applicant: **ANDIS COMPANY**, Sturtevant, WI (US)
- (72) Inventor: **Jeffrey D. Gross**, Kenosha, WI (US)
- (73) Assignee: **Andis Company**, Sturtevant, WI (US)
- (\*\*) Term: **15 Years**
- (21) Appl. No.: **29/570,110**
- (22) Filed: **Jul. 5, 2016**
- (51) **LOC (11) Cl.** ..... **28-03**
- (52) **U.S. Cl.**  
USPC ..... **D28/54**
- (58) **Field of Classification Search**  
USPC ..... D28/49-54  
CPC ..... B26B 19/00-19/107  
See application file for complete search history.

- D568,542 S \* 5/2008 Long ..... D28/54
- D571,504 S \* 6/2008 Long ..... D28/54
- D577,865 S \* 9/2008 Long ..... D28/54
- D597,253 S \* 7/2009 Eddinger ..... D28/54
- D597,254 S \* 7/2009 Eddinger ..... D28/54
- D623,354 S \* 9/2010 Schwer ..... D28/53
- D675,782 S \* 2/2013 Buck, Jr. .... D28/54
- D678,612 S \* 3/2013 Aulwes ..... D28/53
- D683,901 S \* 6/2013 Skuhra ..... D28/54
- D700,998 S \* 3/2014 Aulwes ..... D28/54
- D700,999 S \* 3/2014 Aulwes ..... D28/54
- D715,489 S \* 10/2014 Aulwes ..... D28/54

(Continued)

*Primary Examiner* — Jennifer Rivard  
(74) *Attorney, Agent, or Firm* — Michael Best & Friedrich LLP

(57) **CLAIM**

I claim the ornamental design for a hair clipper cover, as shown and described.

**DESCRIPTION**

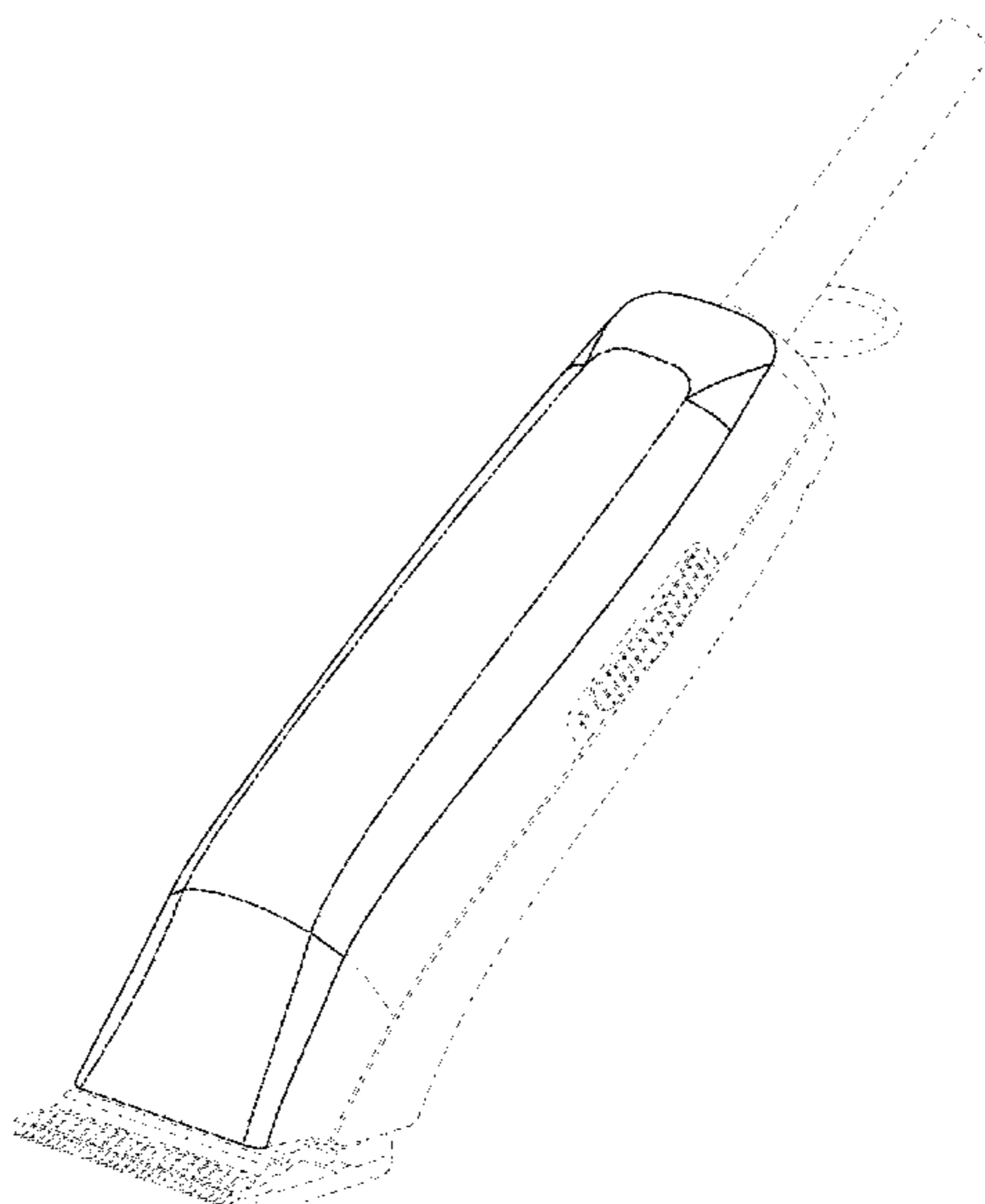
FIG. 1 is a perspective view of a hair clipper cover according to an embodiment showing the new design;  
 FIG. 2 is an elevation view of a first side of the embodiment shown in FIG. 1;  
 FIG. 3 is an elevation view of a second side of the embodiment shown in FIG. 1;  
 FIG. 4 is a top view of the embodiment shown in FIG. 1;  
 FIG. 5 is a bottom view of the embodiment shown in FIG. 1;  
 FIG. 6 is an elevation view of a first end of the embodiment shown in FIG. 1; and,  
 FIG. 7 is an elevation view of a second end of the embodiment shown in FIG. 1.  
 The present application is directed to the design illustrated in the figures. The broken lines shown in the figures illustrate the environment of the hair clipper cover and form no part of the claimed design.

**1 Claim, 6 Drawing Sheets**

(56) **References Cited**

U.S. PATENT DOCUMENTS

- 2,748,472 A \* 6/1956 Sheley ..... B26B 19/44  
30/133
- 2,789,347 A \* 4/1957 Wahl ..... B26B 19/06  
30/196
- D192,424 S \* 3/1962 Myers et al. .... D28/53
- 3,589,007 A \* 6/1971 Walton ..... B26B 19/06  
30/140
- D348,543 S \* 7/1994 Melton ..... D28/54
- D353,022 S \* 11/1994 Simonelli ..... D28/54
- D405,924 S \* 2/1999 Leberherz ..... D28/53
- D435,694 S \* 12/2000 Leberherz ..... D28/53
- D435,936 S \* 1/2001 Long ..... D28/54
- D439,703 S \* 3/2001 Wagenknecht ..... D28/53
- D443,725 S \* 6/2001 Copland ..... D28/53
- D486,267 S \* 2/2004 Goetschi ..... D28/53
- D500,392 S \* 12/2004 Buck, Jr. .... D28/54
- D534,689 S \* 1/2007 Gross ..... D28/53
- D555,286 S \* 11/2007 Long ..... D28/53



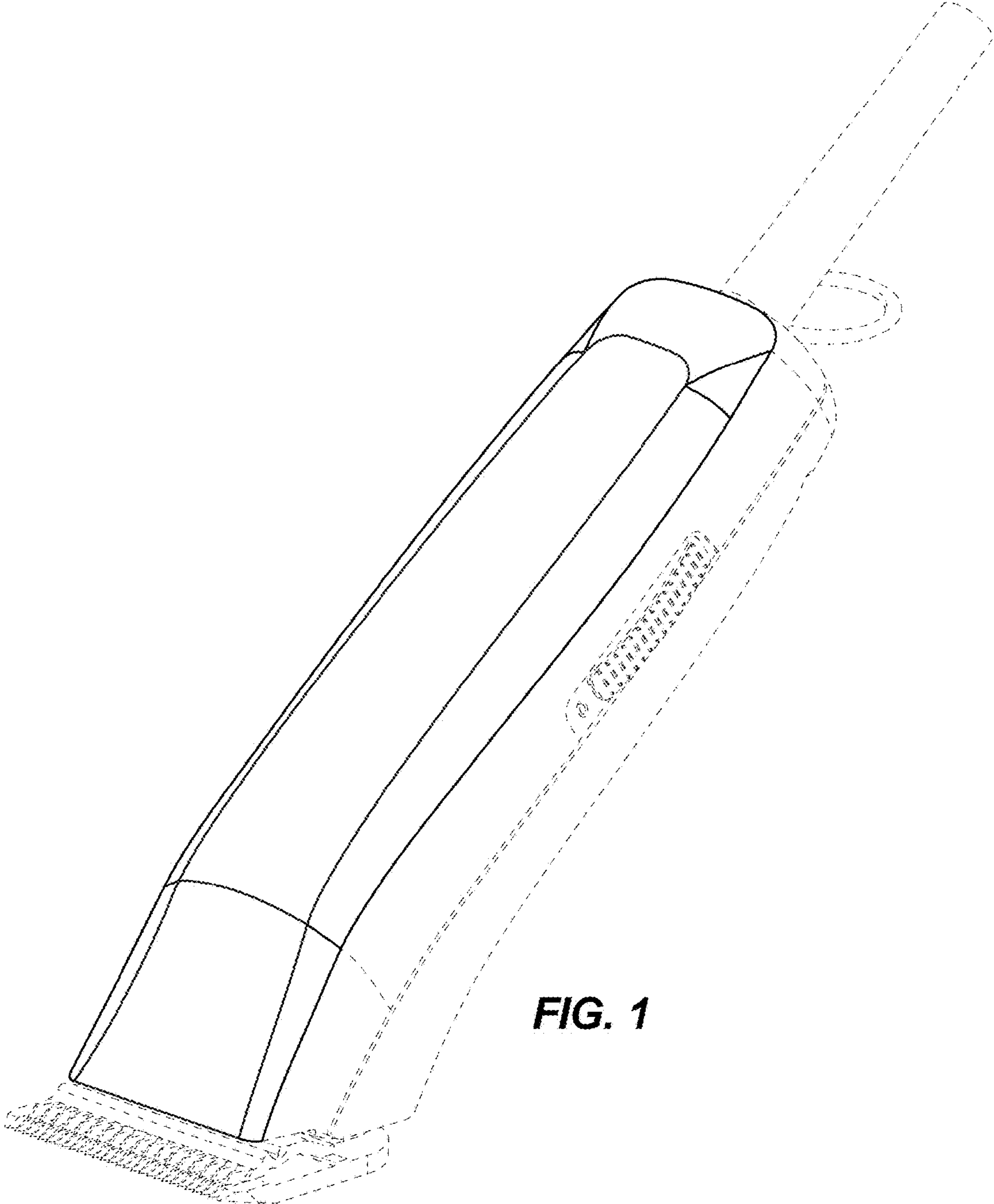
(56)

**References Cited**

U.S. PATENT DOCUMENTS

D715,490 S	*	10/2014	Aulwes .....	D28/54
D722,202 S	*	2/2015	Erickson .....	D28/54
D750,325 S	*	2/2016	Nho .....	D28/53
D751,760 S	*	3/2016	Zachrich .....	D28/53
D758,665 S	*	6/2016	Skuhra .....	D28/54
D777,980 S	*	1/2017	Moeller .....	D28/54
D784,618 S	*	4/2017	Mori .....	D28/53
D787,746 S	*	5/2017	Werner .....	D28/53
D790,132 S	*	6/2017	Aulwes .....	D28/54
D790,133 S	*	6/2017	Aulwes .....	D28/54
D800,389 S	*	10/2017	Fleming .....	D28/53
D800,965 S	*	10/2017	Aulwes .....	D28/53

\* cited by examiner



**FIG. 1**

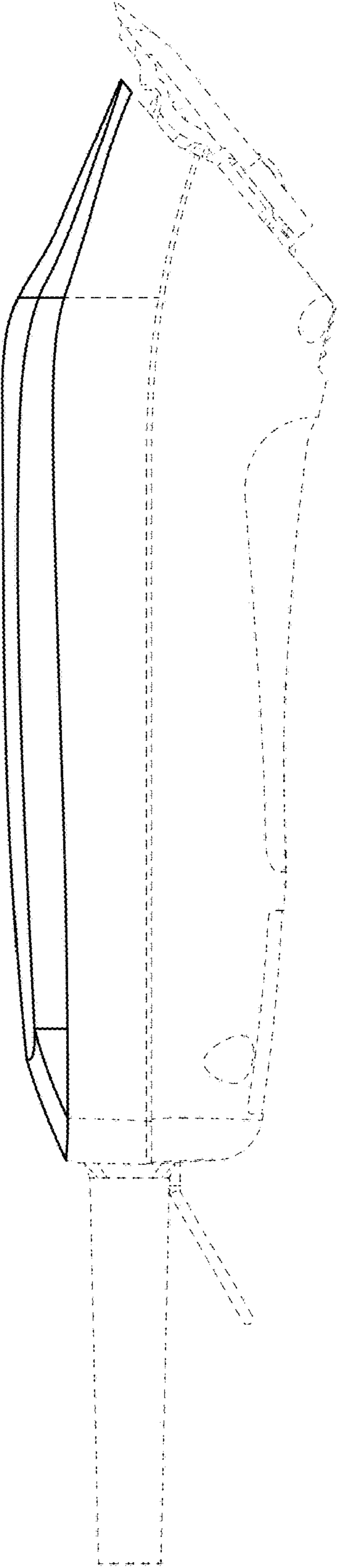


FIG. 2

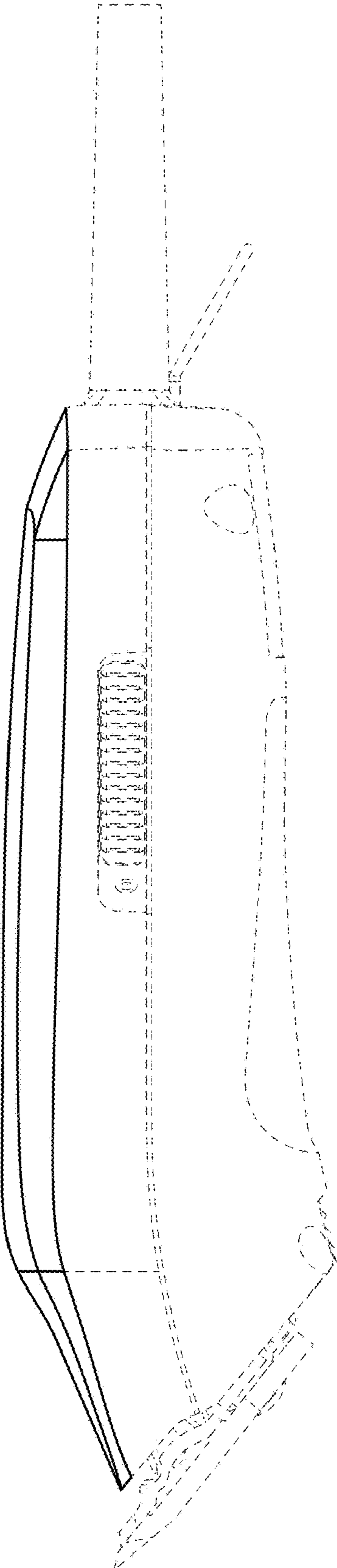


FIG. 3

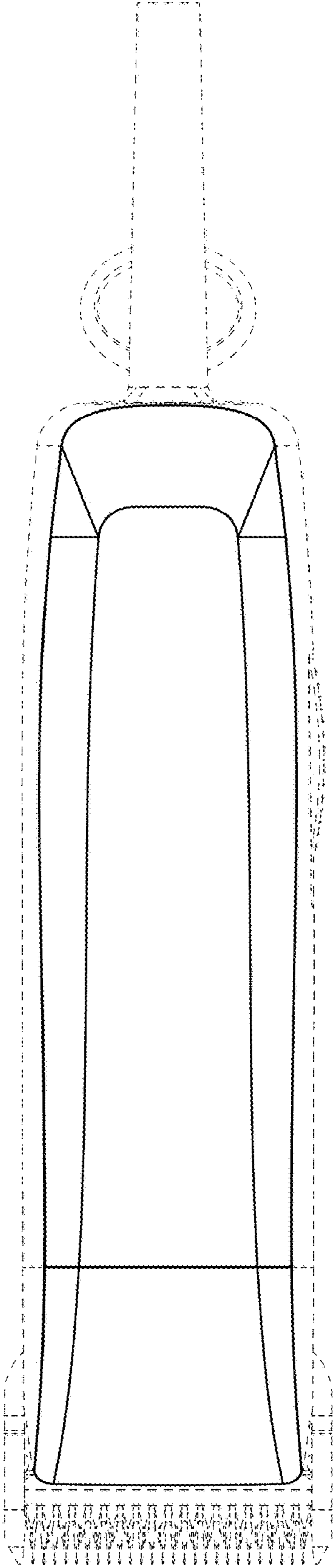


FIG. 4

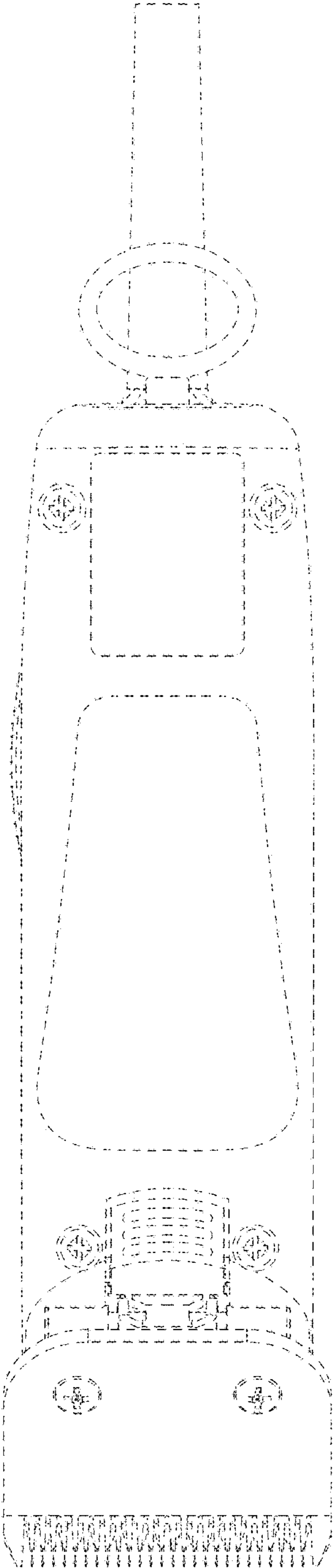
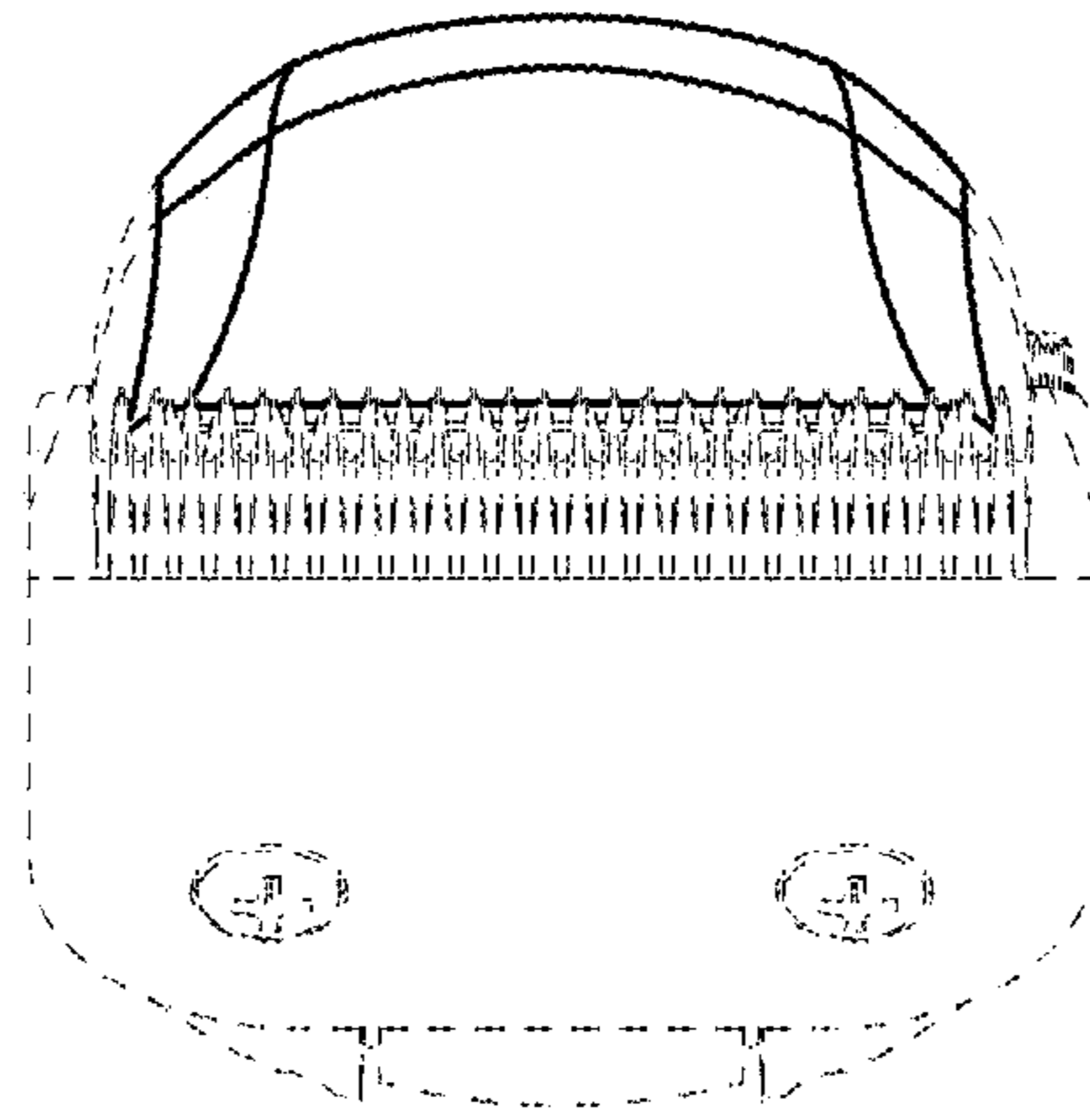
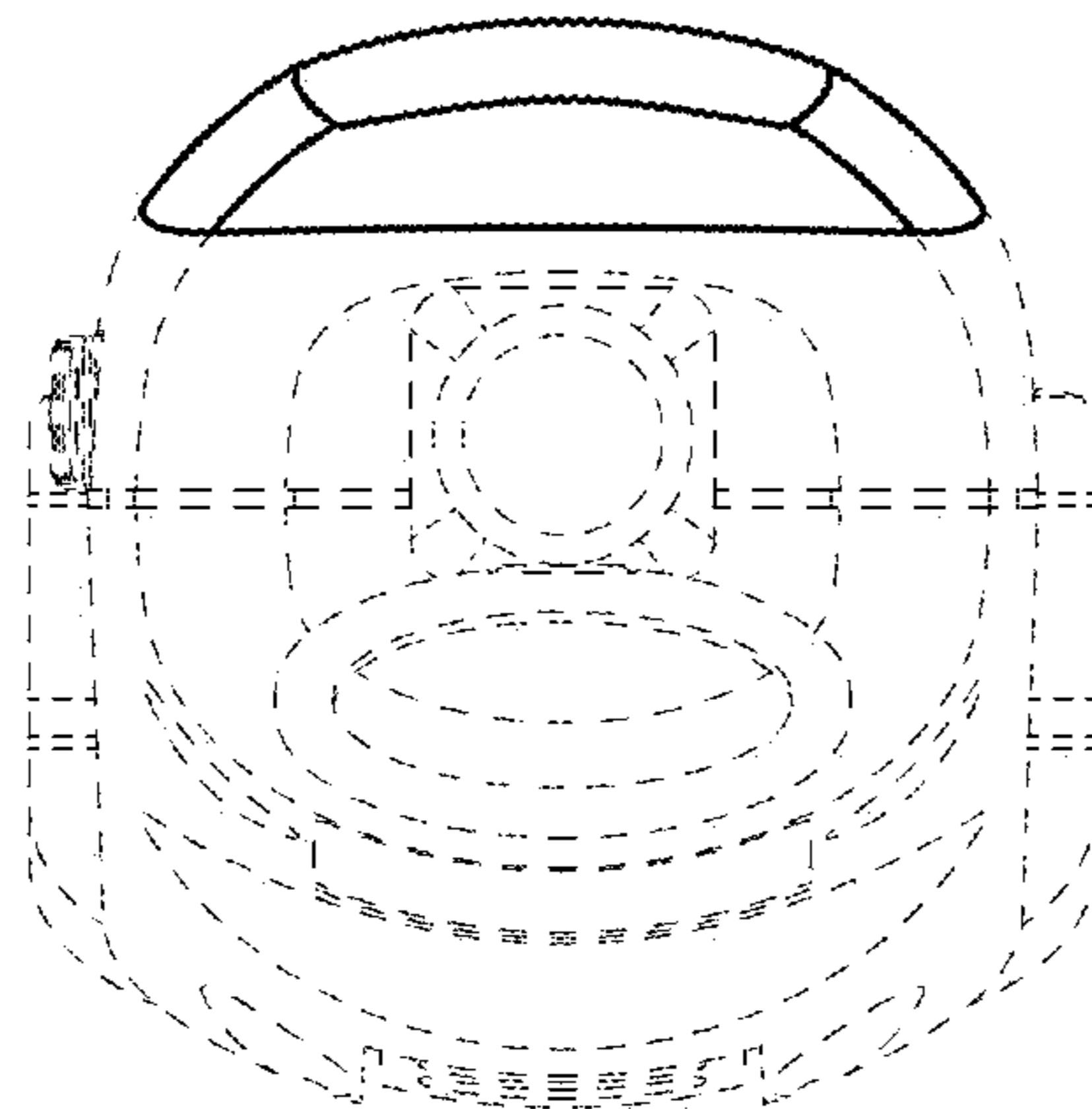


FIG. 5



**FIG. 6**



**FIG. 7**