



US00D819888S

(12) **United States Design Patent** (10) **Patent No.:** **US D819,888 S**
Alphonso et al. (45) **Date of Patent:** **** Jun. 5, 2018**

- (54) **RAZOR HEAD**
- (71) Applicant: **SWAMIWARE LLC**, Ann Arbor, MI (US)
- (72) Inventors: **Patrick M. Alphonso**, Ann Arbor, MI (US); **Greg Darby**, Berkley, MI (US); **John M. Kaloustian**, Northville, MI (US)
- (73) Assignee: **SWAMIWARE LLC**, Ann Arbor, MI (US)
- (**) Term: **15 Years**
- (21) Appl. No.: **29/584,538**
- (22) Filed: **Nov. 15, 2016**
- (51) **LOC (11) Cl.** **28-03**
- (52) **U.S. Cl.**
USPC **D28/47**
- (58) **Field of Classification Search**
USPC D28/46-48
CPC B26B 21/08-21/32; B26B 21/34-21/38;
B26B 21/52-21/4062; B26B 21/4068-21/4075
See application file for complete search history.

- 4,912,846 A * 4/1990 Yu B26B 21/4006
30/346.55
- D312,144 S * 11/1990 Buba D28/52
- 5,167,069 A 12/1992 Quinn
- D370,742 S 6/1996 Chase
- 5,704,127 A * 1/1998 Cordio B26B 21/14
30/49
- 6,189,222 B1 2/2001 Doyle
- 6,266,888 B1 * 7/2001 Zowaski B26B 21/523
30/526

(Continued)

FOREIGN PATENT DOCUMENTS

WO 0165964 A2 9/2001

OTHER PUBLICATIONS

Amazon.com: Bornku Back Shaver for Men BS100 Body Groomer and Trimmer Kit Back Hair Razor with 5 Inch Width Shaver Blade + Curved & Lightweight Handle: Beauty, 7 pages, downloaded Mar. 3, 2018.*

(Continued)

Primary Examiner — Jennifer Rivard
(74) *Attorney, Agent, or Firm* — Brooks Kushman P.C.

(57) **CLAIM**

We claim the ornamental design for a razor head, as shown and described.

DESCRIPTION

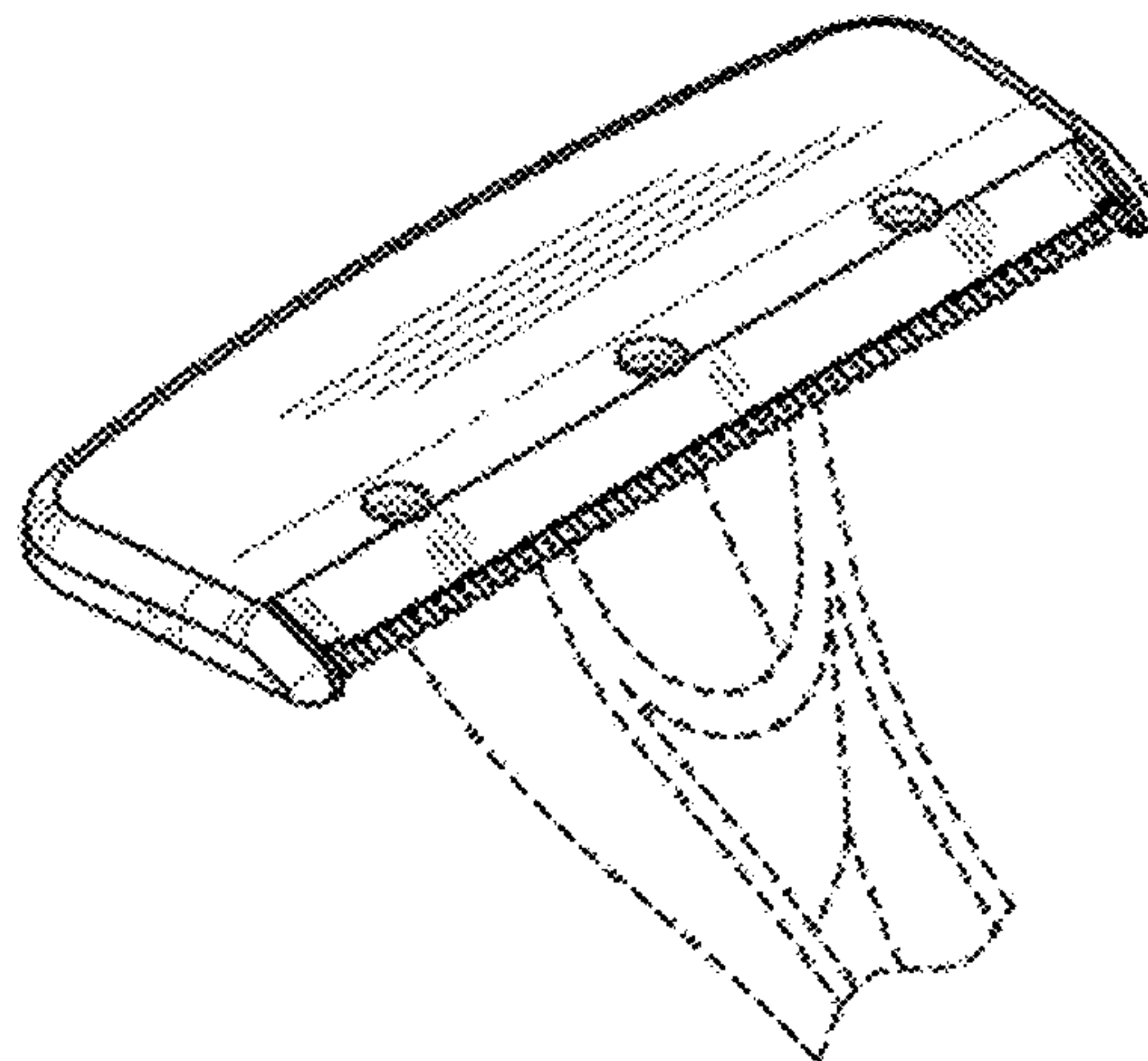
FIG. 1 is a perspective view of a razor head;
FIG. 2 is a front elevational view of FIG. 1;
FIG. 3 is a rear elevational view of FIG. 1;
FIG. 4 is a right side elevational view of FIG. 1, the left side being a mirror image thereof;
FIG. 5 is a top plan view of FIG. 1; and,
FIG. 6 is a bottom plan view of FIG. 1.
The broken lines illustrate the environment and form no part of the claimed design.

1 Claim, 1 Drawing Sheet

(56) **References Cited**

U.S. PATENT DOCUMENTS

- 2,234,440 A * 3/1941 Lewis B26B 21/08
30/30
- 2,237,676 A * 4/1941 Lewis B26B 21/08
30/30
- D143,846 S 2/1946 Morgan
- D144,056 S 3/1946 Horowitz
- 3,413,720 A * 12/1968 Mullen B26B 21/06
30/32
- 4,094,066 A * 6/1978 Daniel, Jr. A61B 17/32
30/346.58
- 4,599,793 A * 7/1986 Iten B26B 21/225
30/47



(56)

References Cited

U.S. PATENT DOCUMENTS

6,308,416 B1 * 10/2001 Bosy B26B 21/225
30/50
D472,673 S 4/2003 Carvotta
6,792,682 B2 * 9/2004 Follo B26B 21/222
30/50
D500,172 S 12/2004 Fields
D507,379 S 7/2005 Alphonso
D560,032 S 1/2008 Lopez
D605,362 S 12/2009 Andersen
D611,655 S 3/2010 Askew
D621,544 S 8/2010 Bommarito
D623,800 S 9/2010 Clemons
D656,675 S 3/2012 Payne
D659,904 S 5/2012 Gilbert
D664,297 S 7/2012 Prat-Pfister
D676,197 S 2/2013 Boulanger
D678,610 S 3/2013 Prat-Pfister
D699,893 S 2/2014 Marut
D700,997 S 3/2014 Marut
8,739,411 B2 6/2014 Kinghorn et al.
9,616,584 B2 * 4/2017 Coresh B26B 21/521
9,718,200 B2 * 8/2017 Dryfhout B26B 21/16
D808,589 S * 1/2018 Dryfhout D28/48
2003/0177648 A1 * 9/2003 Zeiter B26B 21/523
30/526
2003/0208914 A1 11/2003 Wolak

2004/0107585 A1 6/2004 Helmrich
2006/0101655 A1 5/2006 Givant
2007/0062043 A1 3/2007 Marut
2007/0227015 A1 * 10/2007 Collins B26B 21/523
30/526
2009/0100679 A1 * 4/2009 Casciaro B26B 21/165
30/34.05
2011/0167639 A1 * 7/2011 Lau B26B 19/06
30/34.1
2011/0271534 A1 11/2011 Briganti
2014/0068948 A1 * 3/2014 Marder B26B 21/225
30/47
2014/0259679 A1 * 9/2014 Tracy B26B 21/225
30/50
2015/0217468 A1 8/2015 Dryfhout
2015/0224657 A1 8/2015 Bolcar
2015/0266192 A1 * 9/2015 Coresh B26B 21/521
30/526
2016/0031102 A1 2/2016 Sacks et al.
2017/0113362 A1 * 4/2017 Tracy B26B 21/225

OTHER PUBLICATIONS

Amazon.com: Bro Shaver Back Hair Shaver, Uses Standard Double Edge (DE) Safety Razor Blades, Stainless Steel Bolts, Cheap refills, Blades cost pennies, 15 razors included, Do-it-yourself: Beauty, 9 pages, downloaded Mar. 3, 2018.*

* cited by examiner

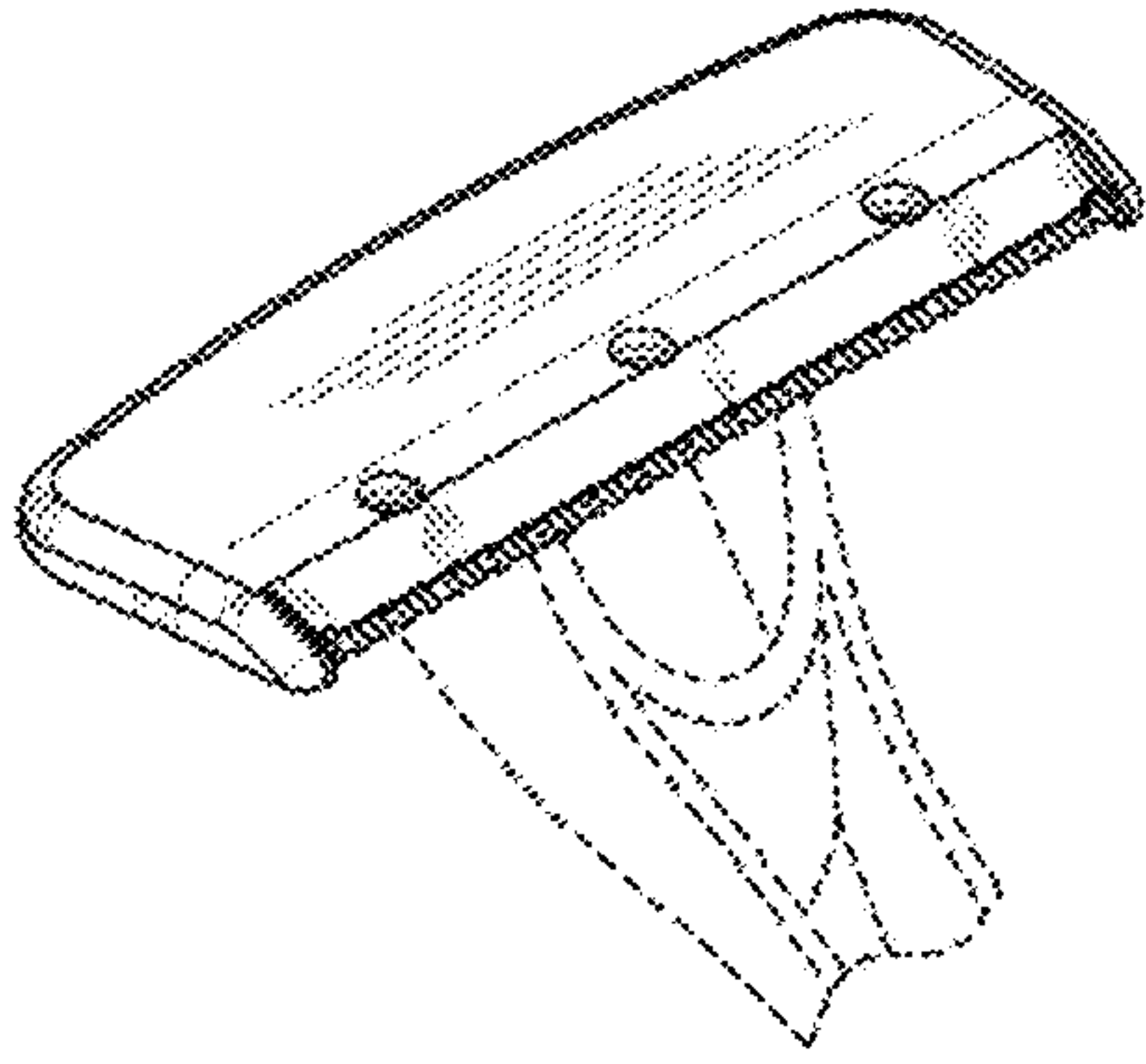


FIG. 1

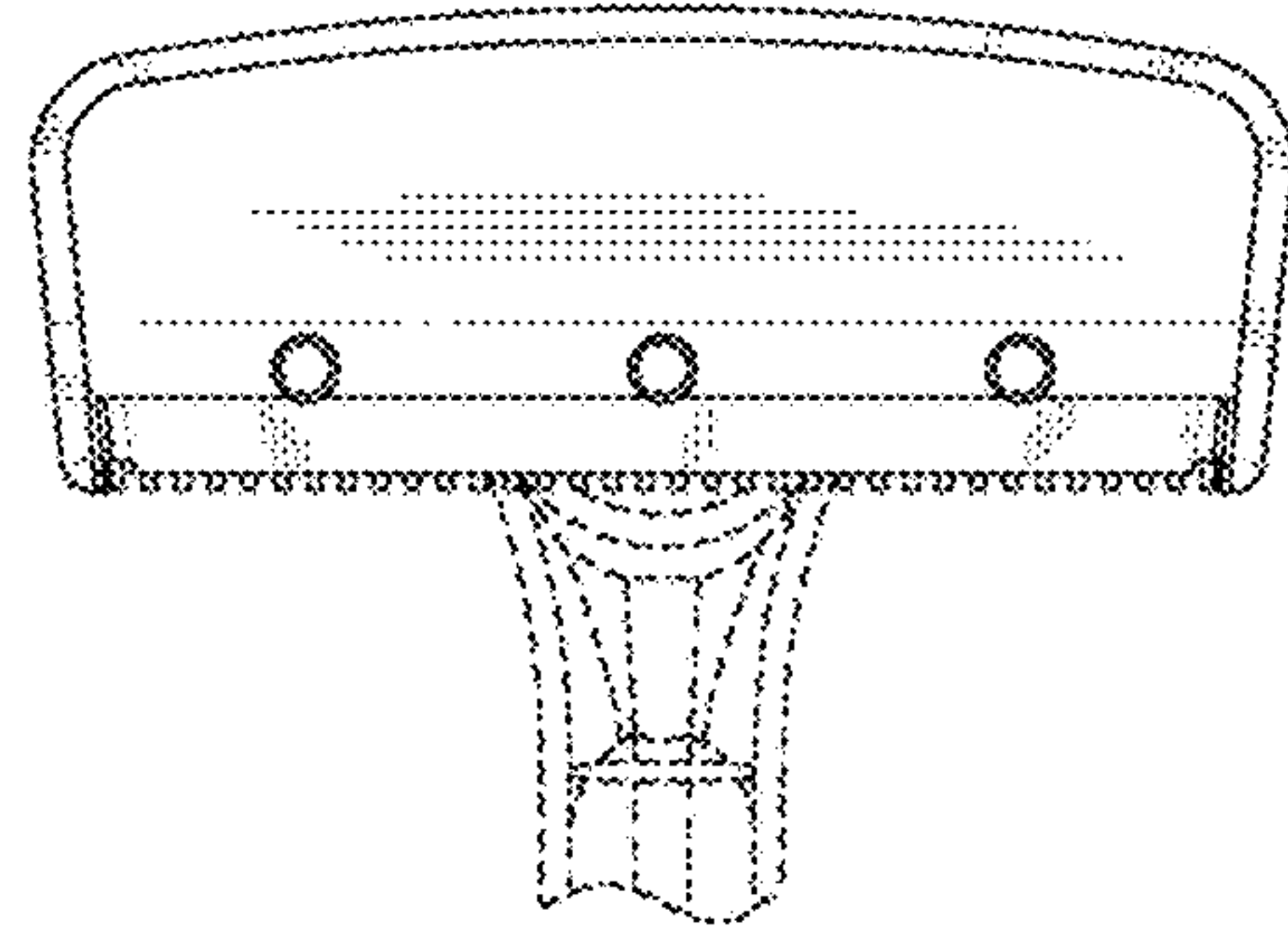


FIG. 2

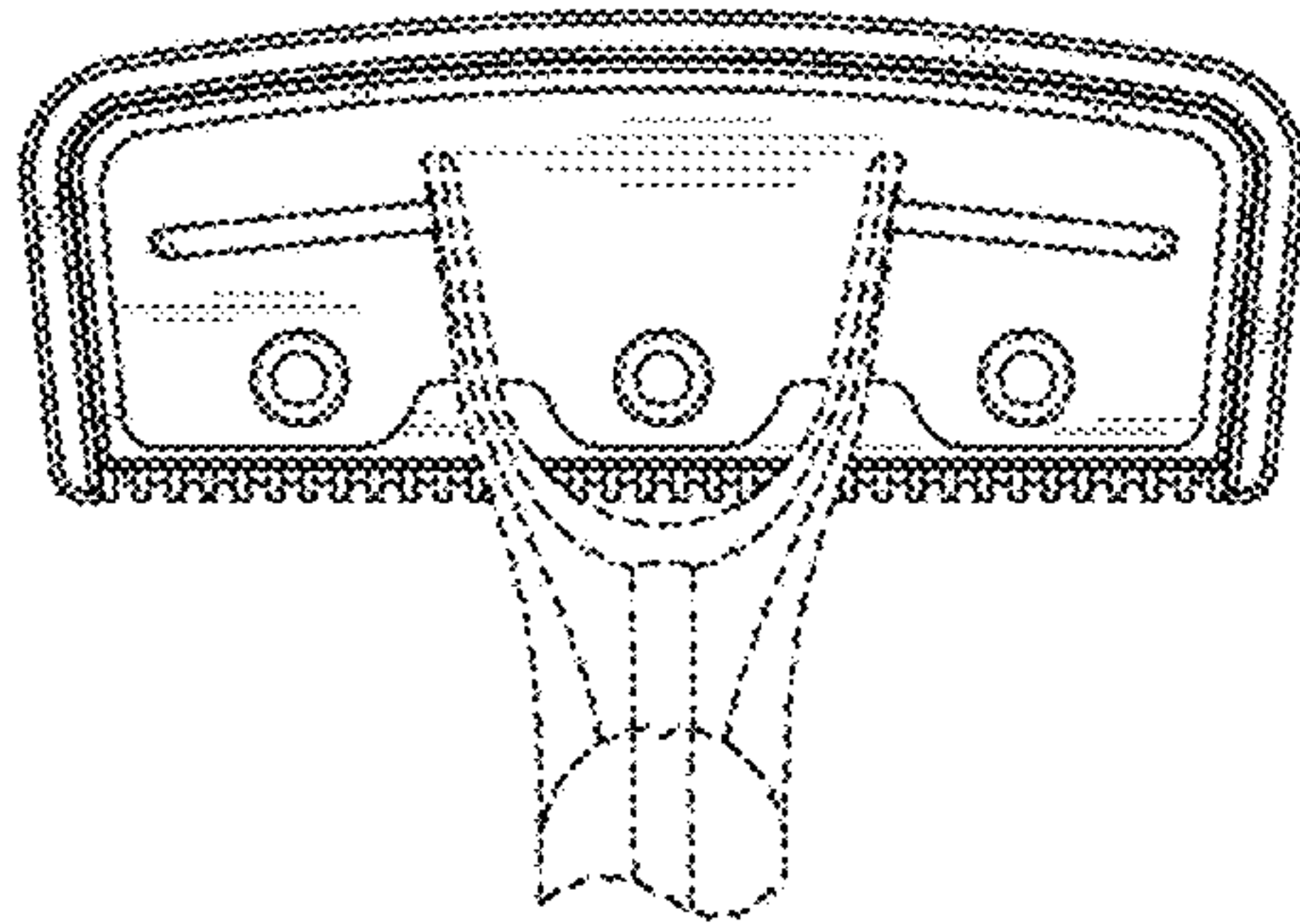


FIG. 3

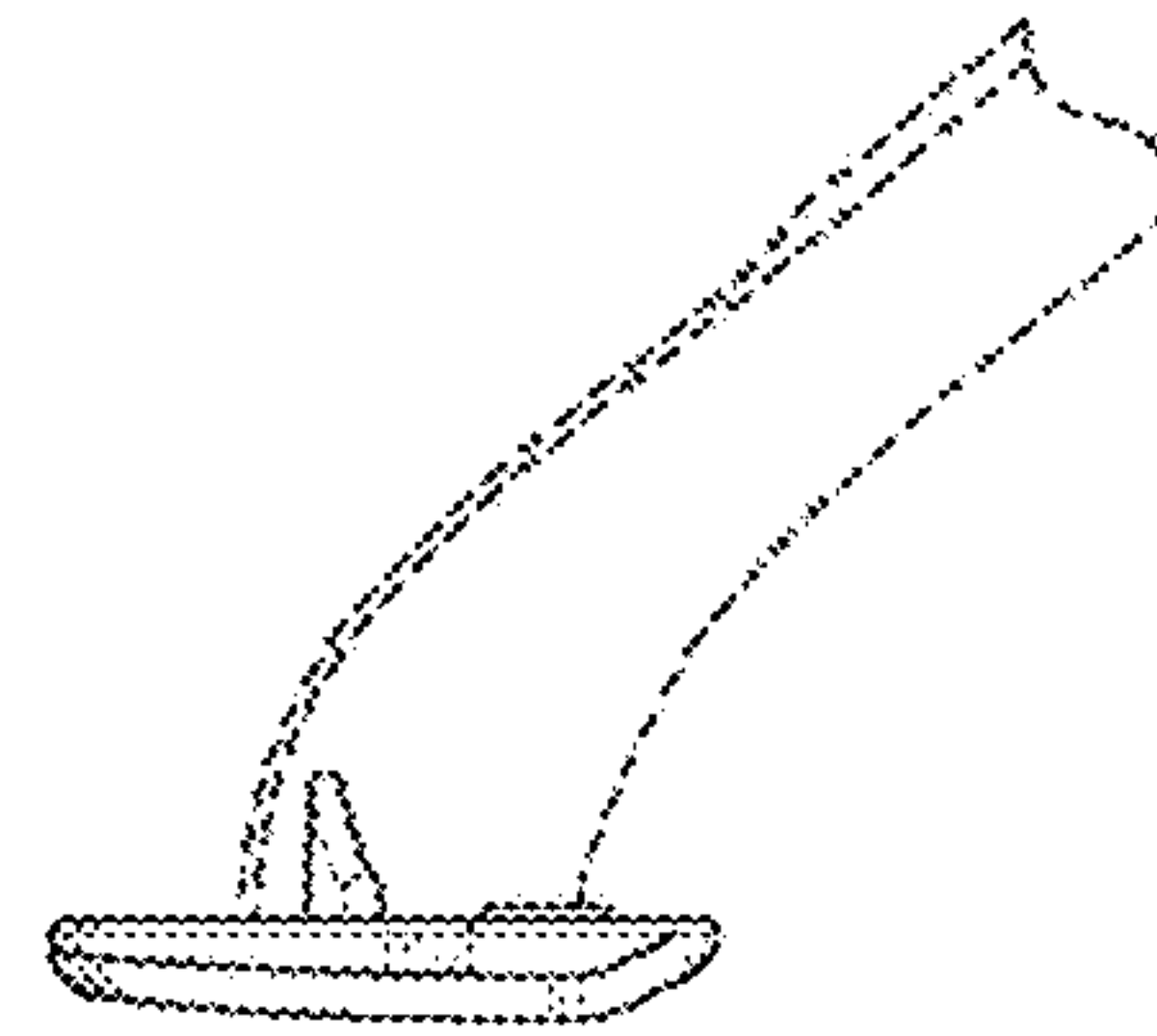


FIG. 4

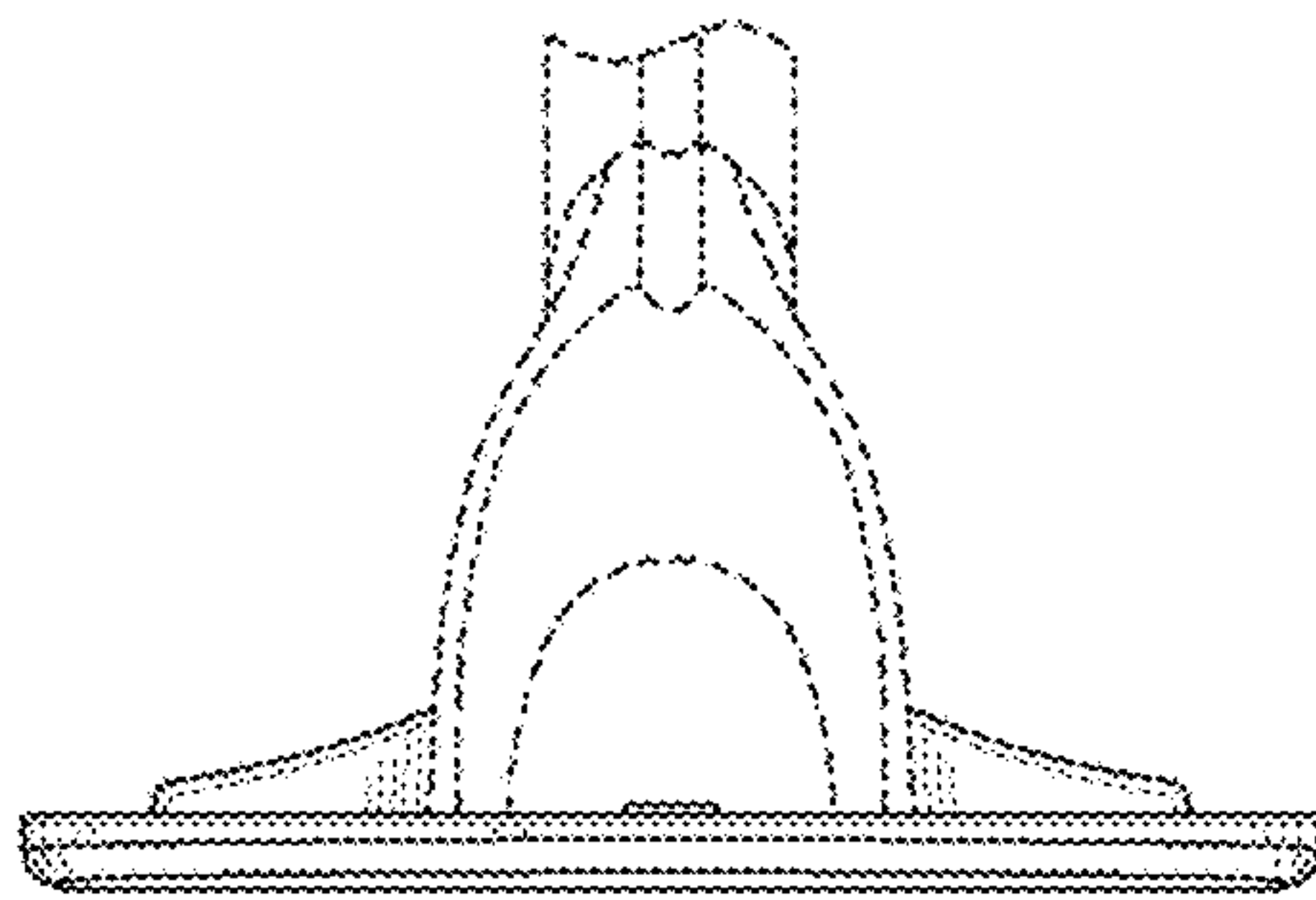


FIG. 5

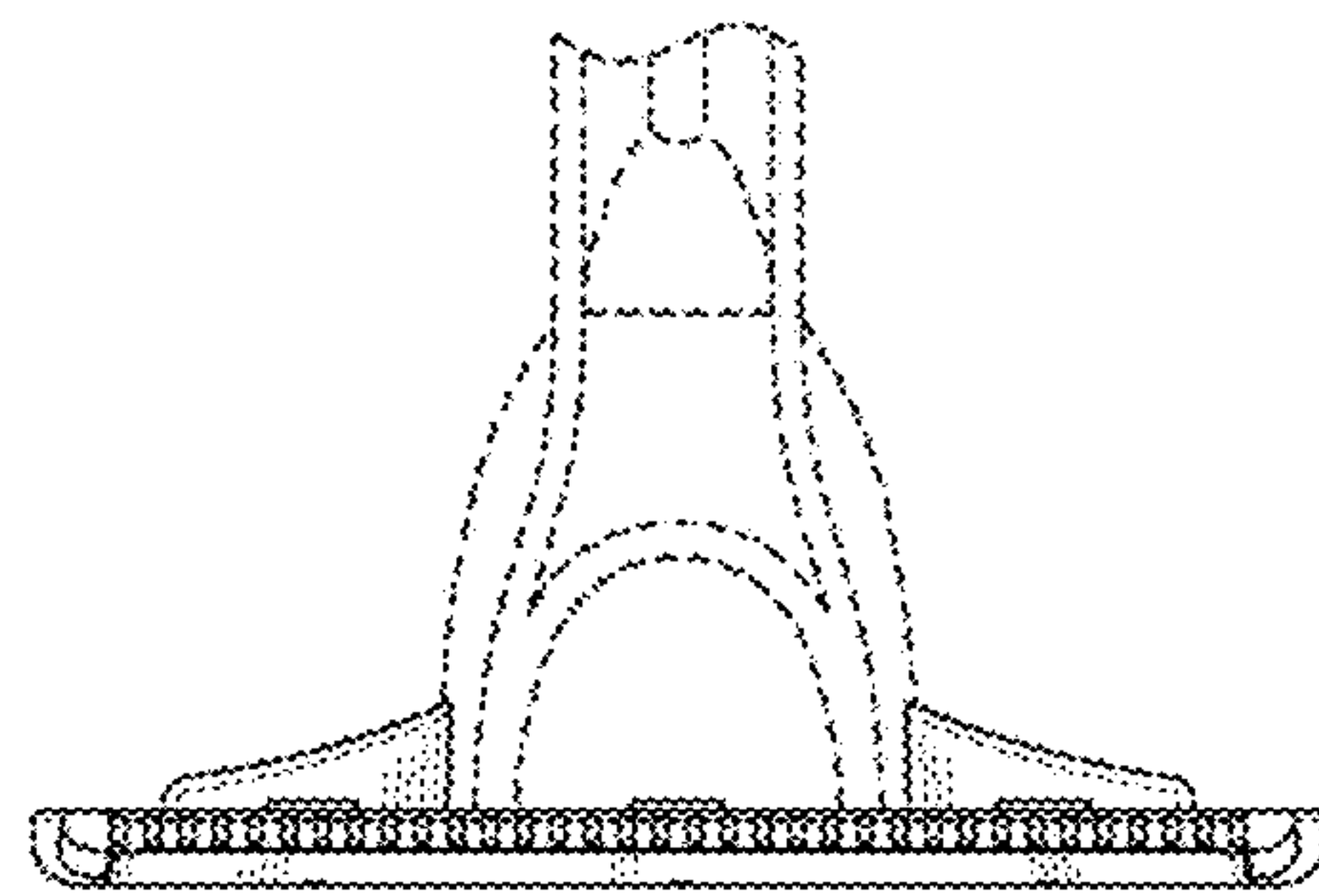


FIG. 6