



US00D819883S

(12) **United States Design Patent**
Shotwell

(10) **Patent No.:** **US D819,883 S**
(45) **Date of Patent:** **** Jun. 5, 2018**

(54) **GLASS WITH INTEGRATED RESTS FOR TOBACCO PRODUCTS**

- (71) Applicant: **SAJ Group, LLC**, Chicago, IL (US)
- (72) Inventor: **James A. Shotwell**, Chicago, IL (US)
- (73) Assignee: **SAJ GROUP, LLC**, Chicago, IL (US)
- (**) Term: **15 Years**
- (21) Appl. No.: **29/584,992**
- (22) Filed: **Nov. 18, 2016**

Related U.S. Application Data

- (63) Continuation-in-part of application No. 15/355,718, filed on Nov. 18, 2016.
- (51) **LOC (11) Cl.** **27-03**
- (52) **U.S. Cl.**
USPC **D27/118**
- (58) **Field of Classification Search**
USPC D27/118, 106, 102, 104, 105; D7/514, D7/500, 510, 523, 532, 528; D9/774, D9/767, 763, 772, 777, 778, 414, 428, D9/429; 131/231, 240, 240.1, 241, 242
CPC A24F 15/08; A24F 15/00
See application file for complete search history.

(56) **References Cited**

U.S. PATENT DOCUMENTS

1,106,204 A	8/1914	Gross	
2,092,743 A	9/1937	Hirner	
2,588,208 A	3/1952	Connellan	
2,786,474 A	3/1957	Miller	
2,919,096 A	12/1959	Cohen	
D244,302 S *	5/1977	Bradley	D27/104
4,142,537 A	3/1979	Fenelon	
4,187,864 A	2/1980	Taddeo	
D395,097 S *	6/1998	Barton	D27/135

(Continued)

OTHER PUBLICATIONS

The international search report from PCT/US2017/061940.

Primary Examiner — Susan Bennett Hattan

Assistant Examiner — Rebecca Tsehay

(74) *Attorney, Agent, or Firm* — Crawford Intellectual Property Law LLC; Brie A. Crawford

(57) **CLAIM**

The ornamental design for a glass with integrated rests for tobacco products, as shown and described.

DESCRIPTION

FIG. 1 depicts a top perspective view of “a” glass with integrated rests for tobacco products showing my new design;

FIG. 2 depicts a front plan view of the glass with integrated rests for tobacco products shown in FIG. 1;

FIG. 3 depicts a rear plan view of the glass with integrated rests for tobacco products shown in FIG. 1 and the reverse view of FIG. 2;

FIG. 4 depicts a top plan view of the glass with integrated rests for tobacco products shown in FIG. 1;

FIG. 5 depicts a bottom plan view of the glass with integrated rests for tobacco products shown in FIG. 1 and the reverse view of FIG. 4;

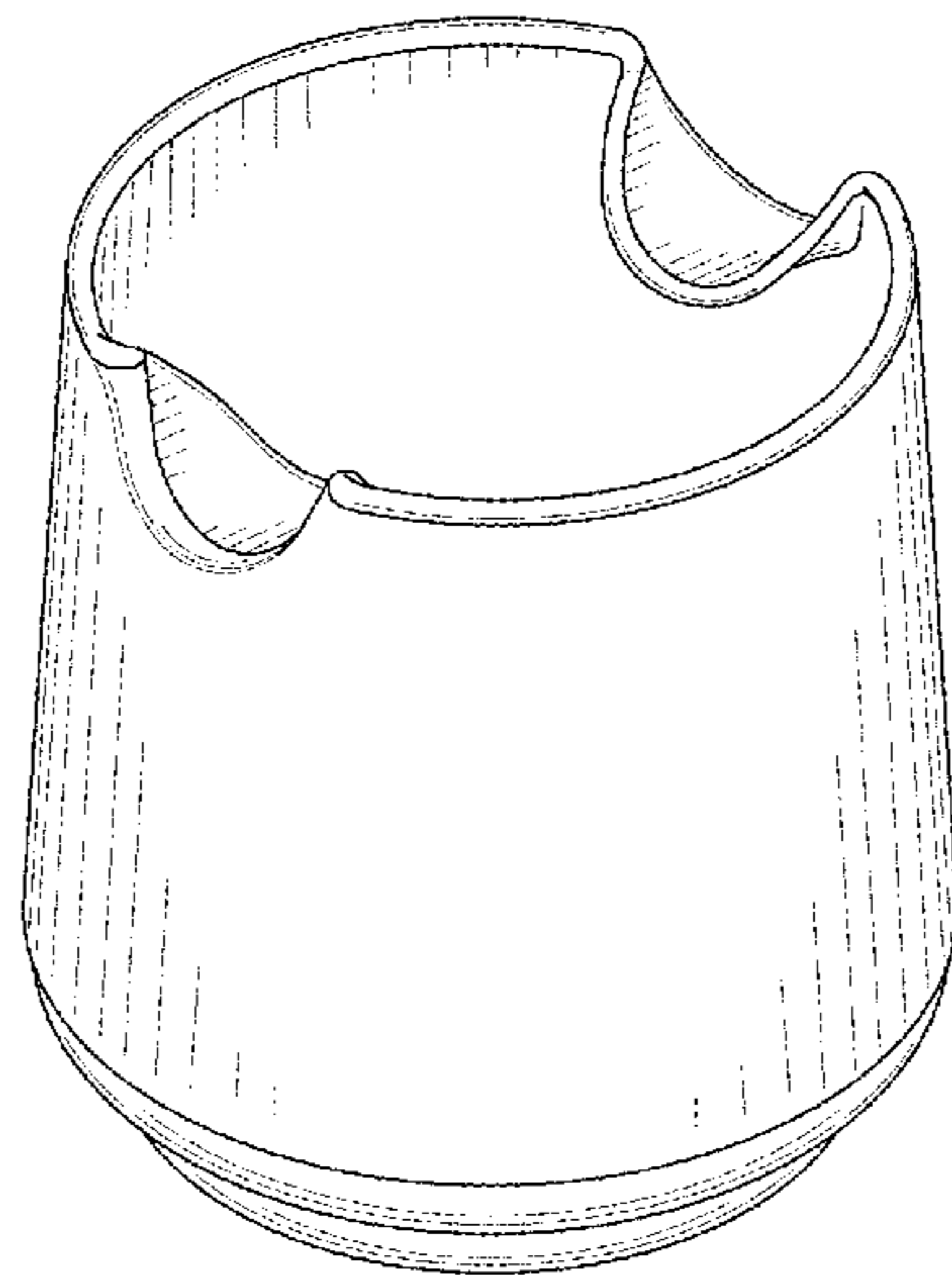
FIG. 6 depicts a left plan view of the glass with integrated rests for tobacco products shown in FIG. 1;

FIG. 7 depicts a right plan view of the glass with integrated rests for tobacco products shown in FIG. 1 and the reverse view of FIG. 6; and,

FIG. 8 depicts a top perspective view of the glass with integrated rests for tobacco products shown in FIG. 1 showing a tobacco product in broken line that forms no part of the claimed design.

The broken lines in FIG. 5 depicts a portion of the glass with integrated rests for tobacco products that forms no part of the claimed design.

1 Claim, 4 Drawing Sheets



(56)

References Cited

U.S. PATENT DOCUMENTS

D403,804	S	1/1999	Silkaitis	
6,032,824	A	3/2000	Barrow	
D432,712	S *	10/2000	Perrier	D27/102
D468,857	S *	1/2003	Foote	D27/104
D493,011	S *	7/2004	Foote	D27/104
D496,753	S *	9/2004	Thornell	D27/105
7,096,521	B2	8/2006	Rifkin	
7,661,431	B1	2/2010	Barrios	
D655,984	S *	3/2012	Andreesen	D7/509
D658,329	S *	4/2012	Katz	D27/125
D780,992	S *	3/2017	Lozier	D27/103
D785,860	S *	5/2017	Fischer	D27/102
2003/0230244	A1	12/2003	Morrison	
2008/0022937	A1	1/2008	Shirley	
2009/0272390	A1	11/2009	Blondeel	

* cited by examiner

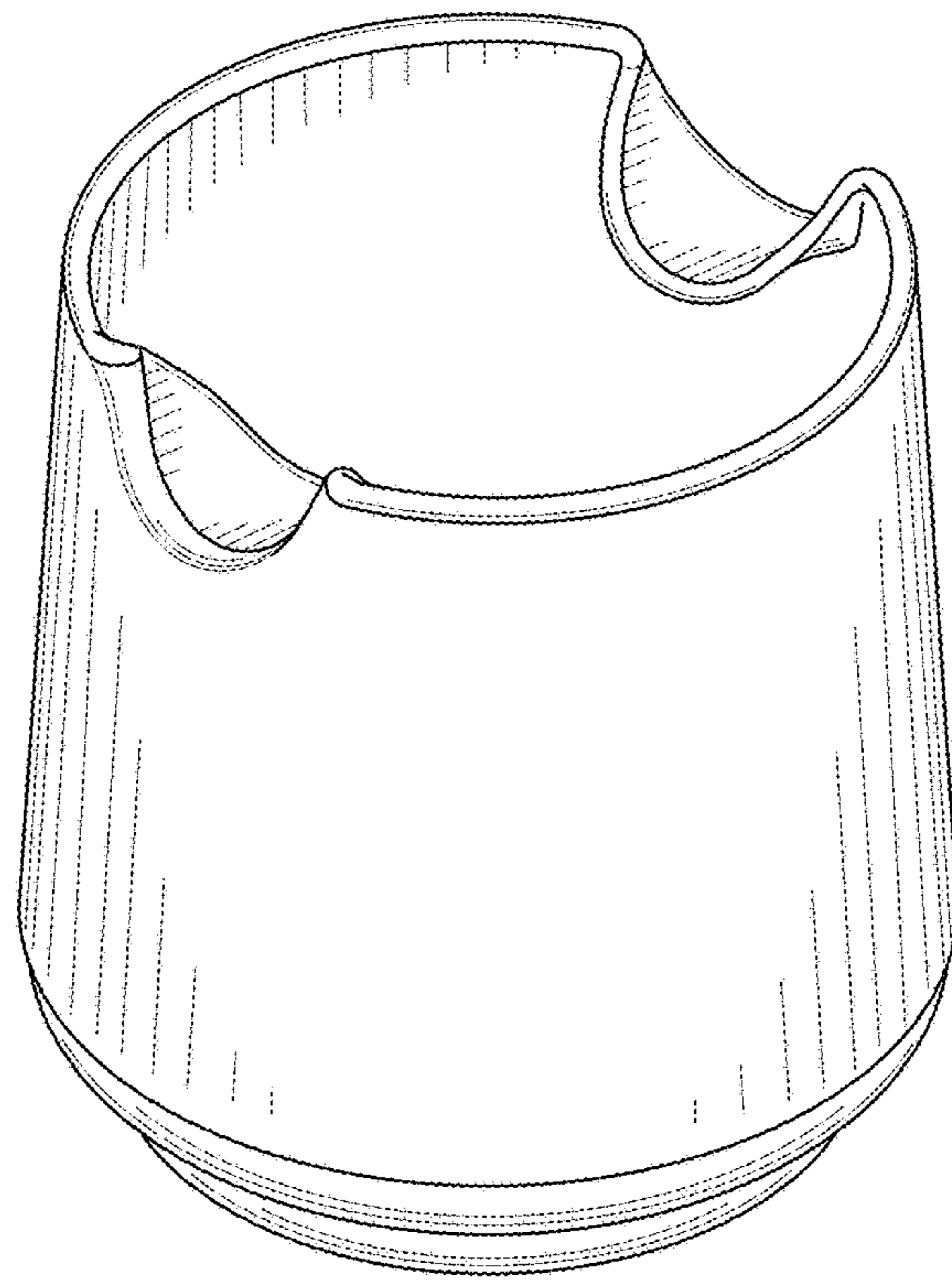


FIG. 1

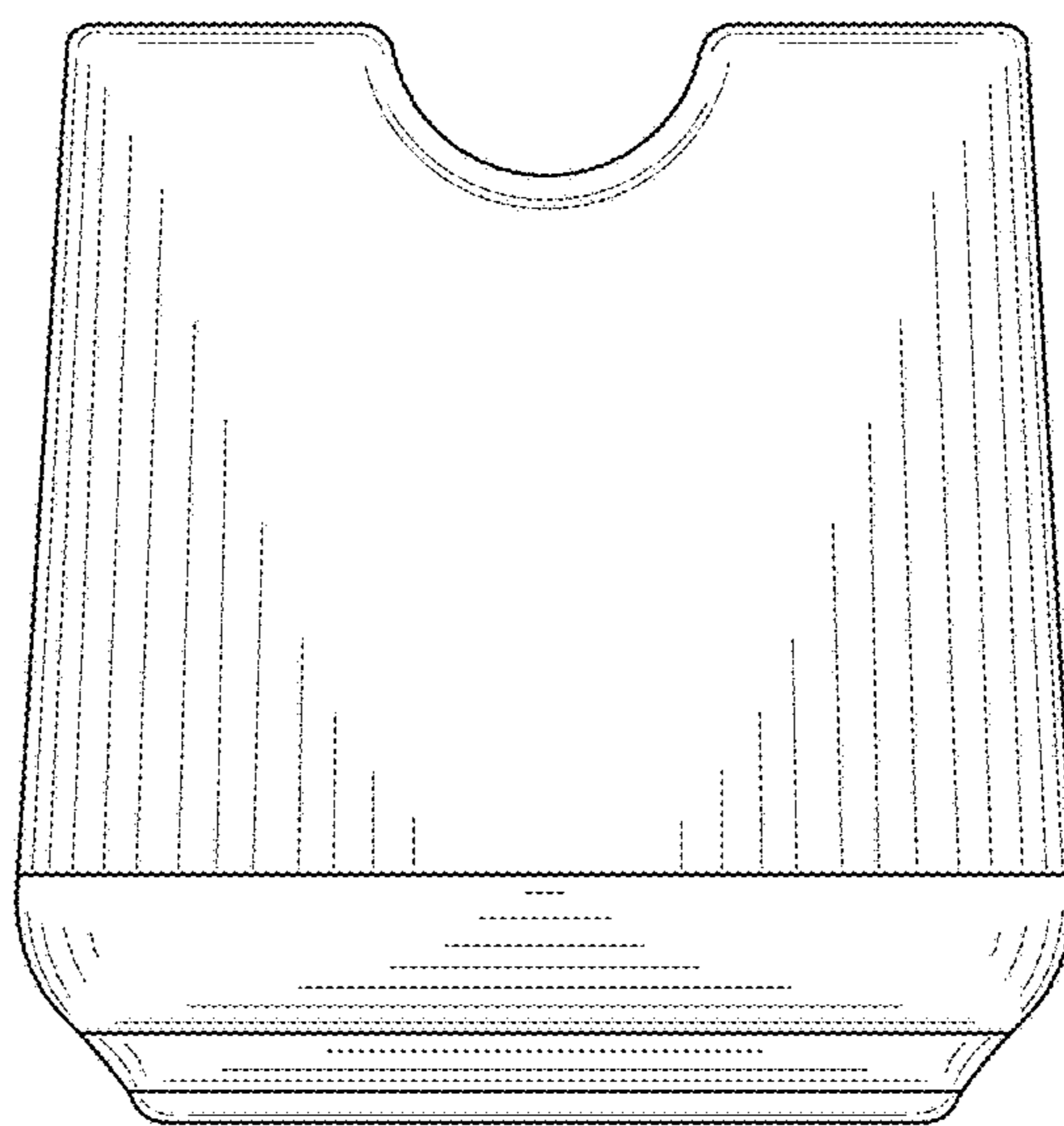


FIG. 2

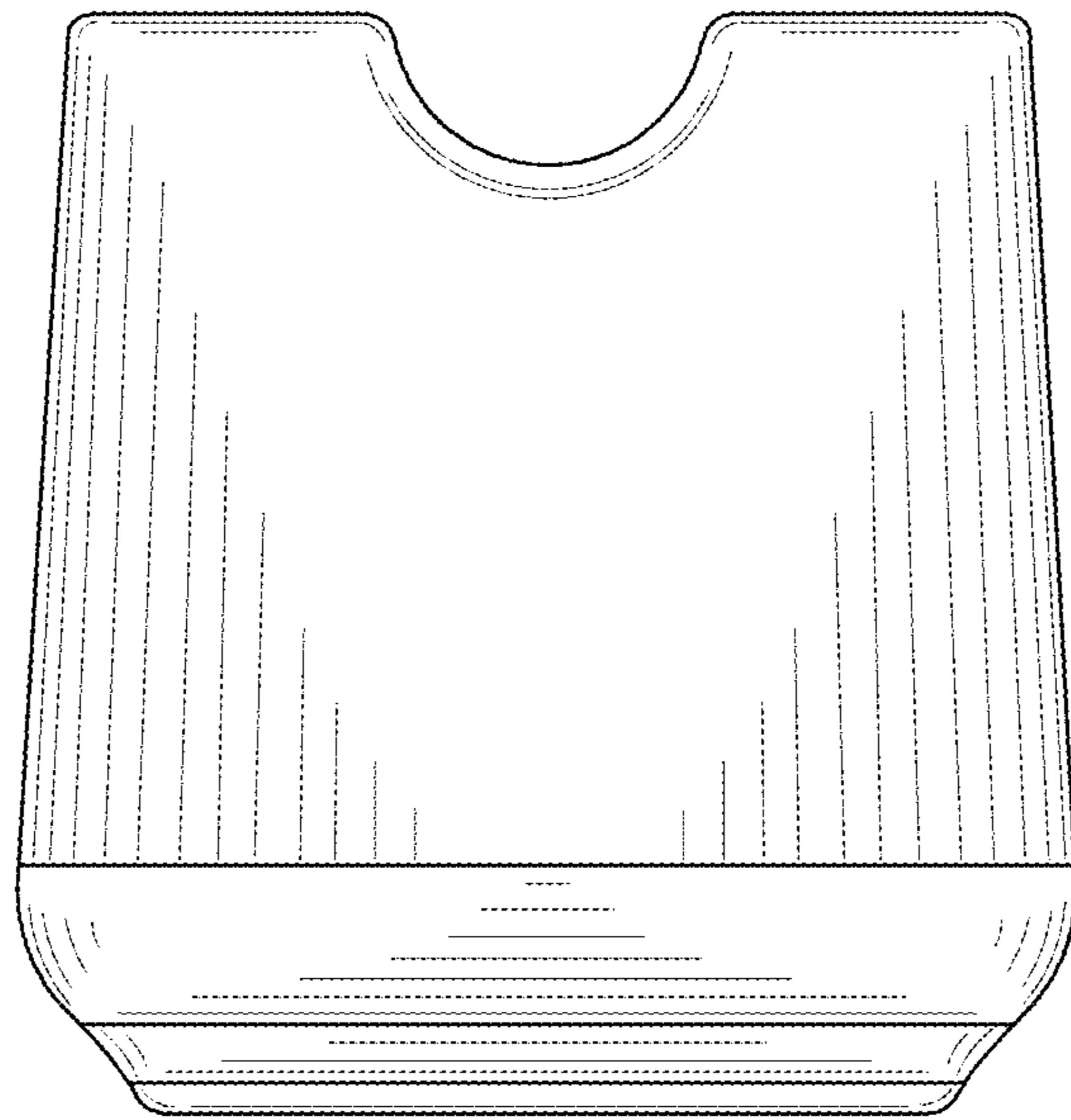


FIG. 3

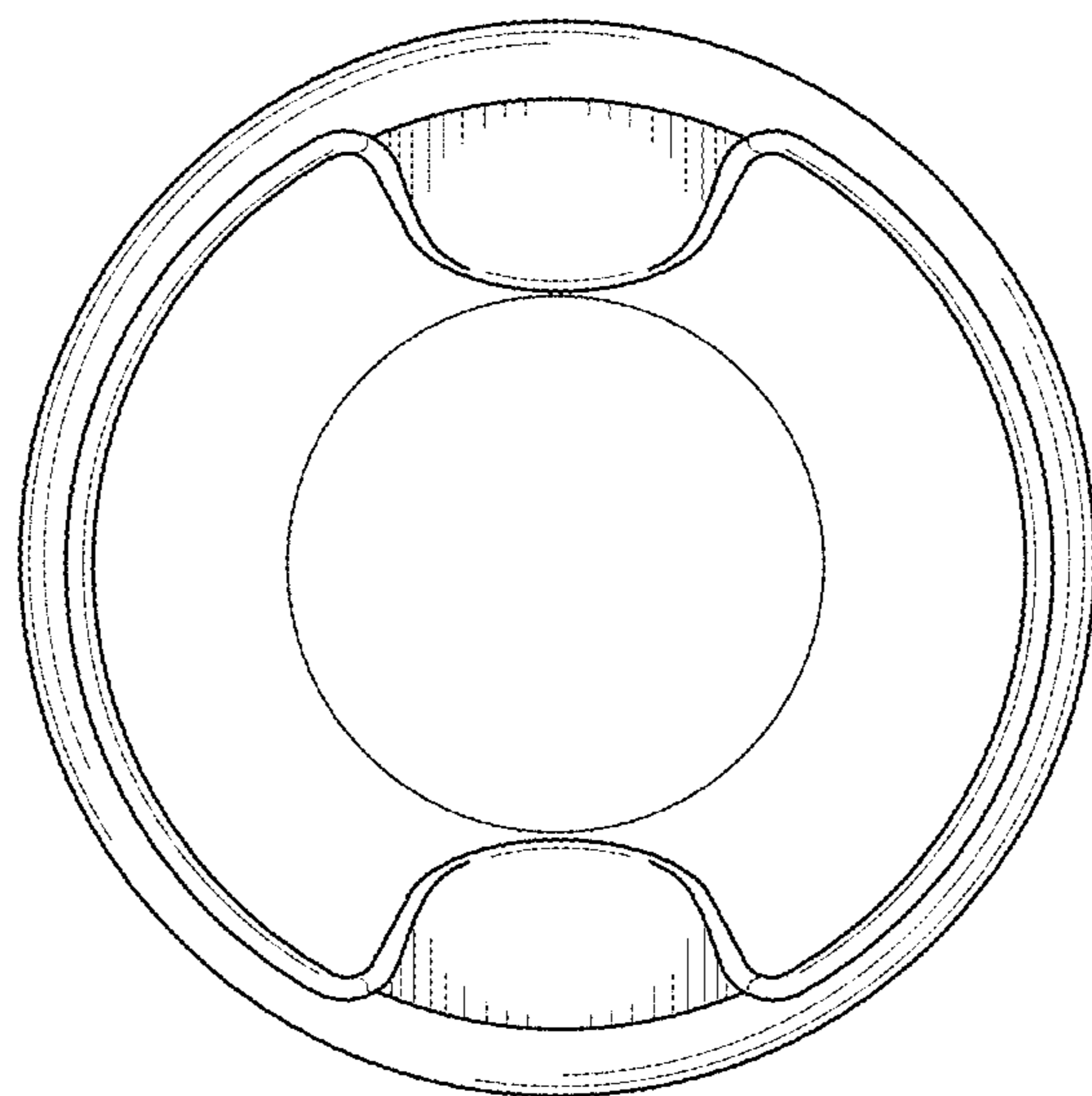


FIG. 4

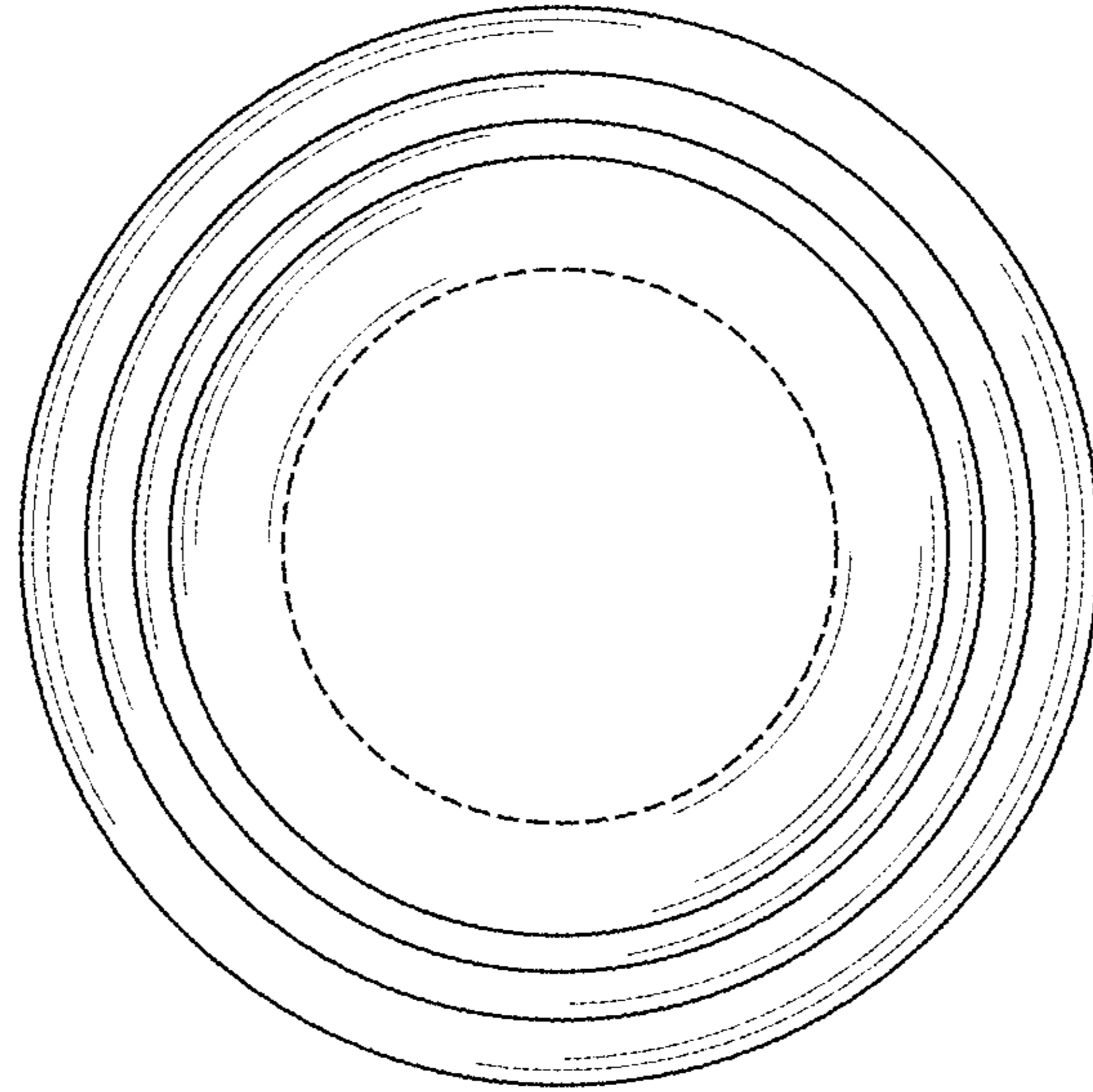


FIG. 5

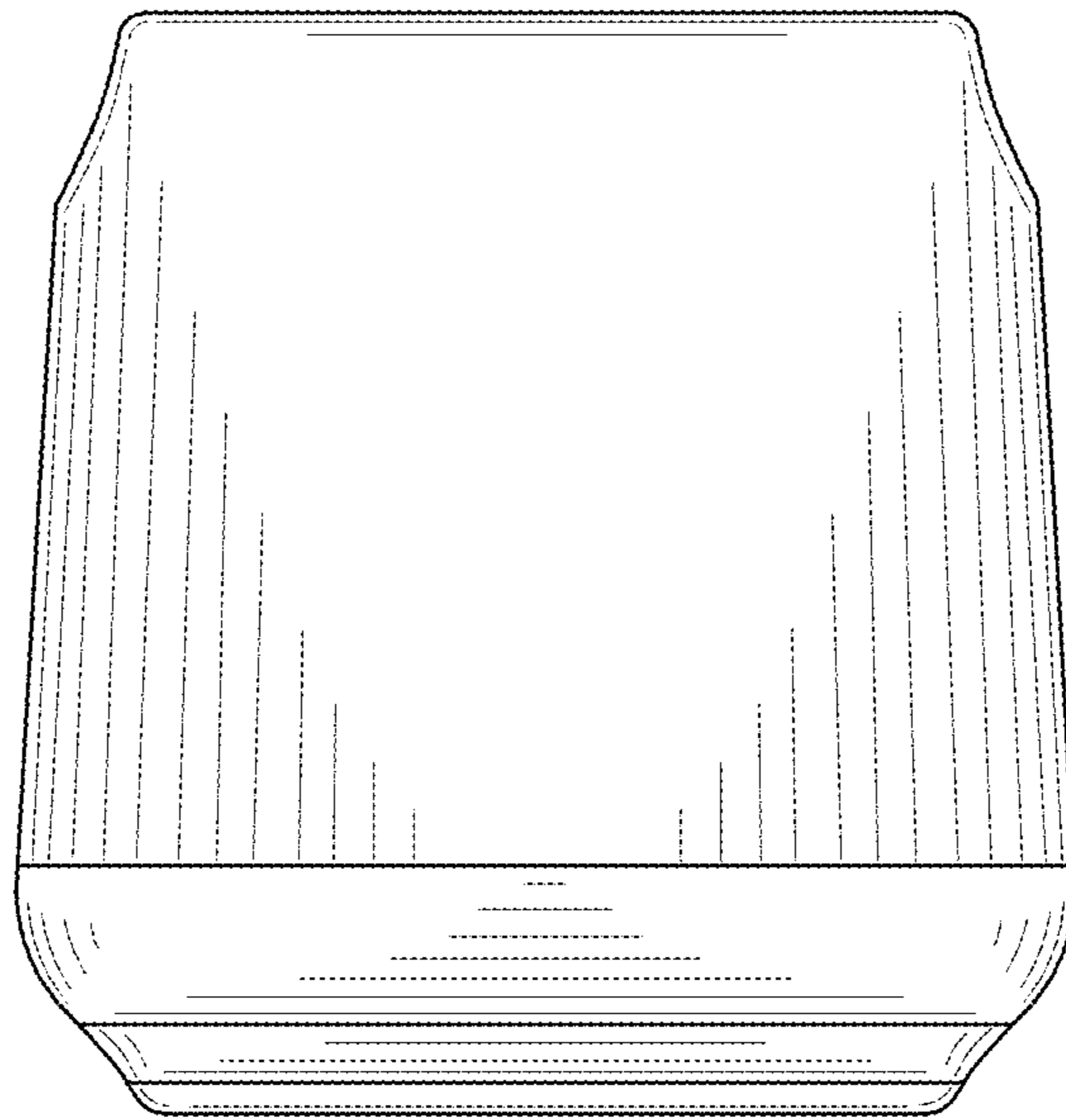


FIG. 6

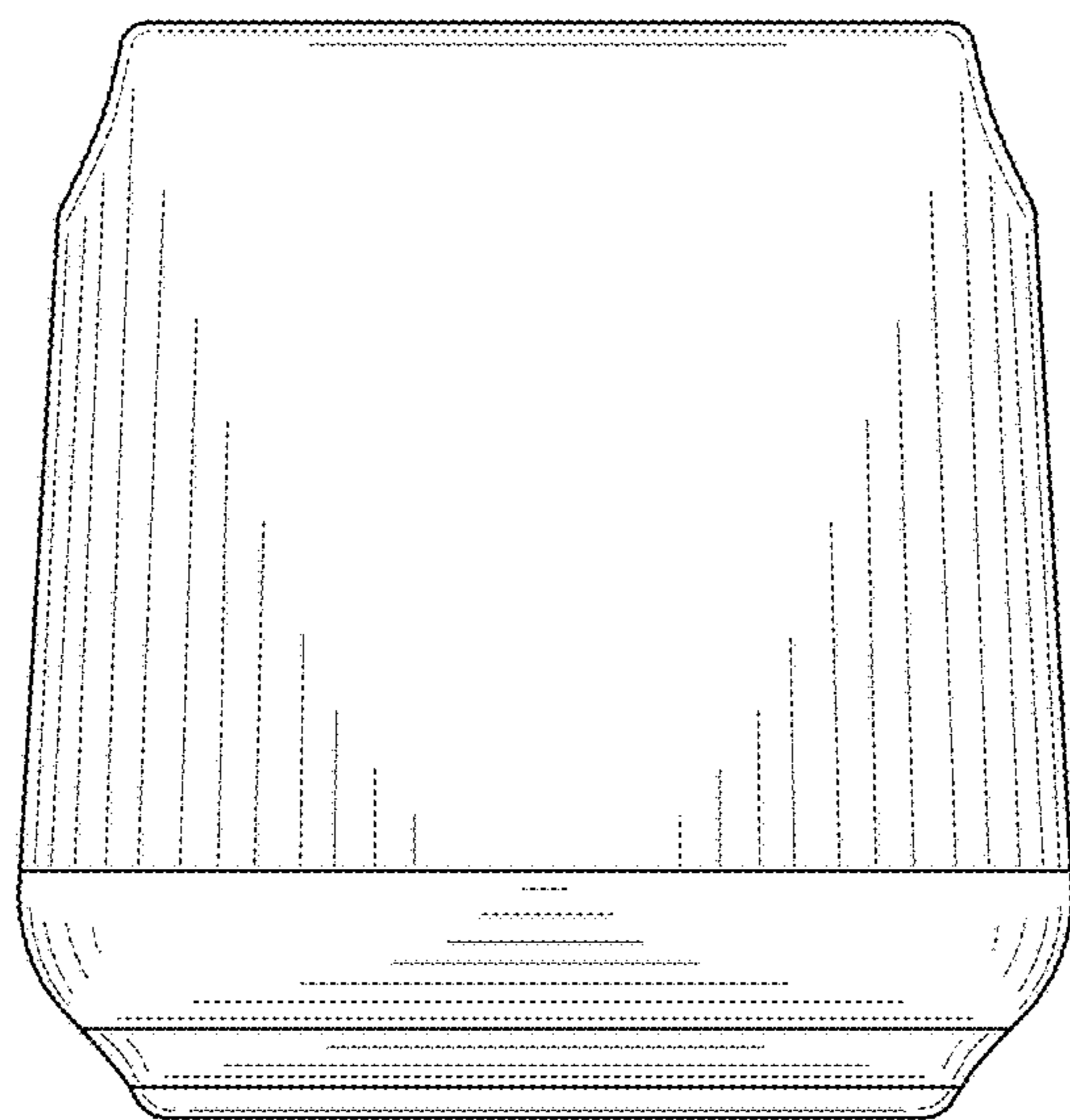


FIG. 7

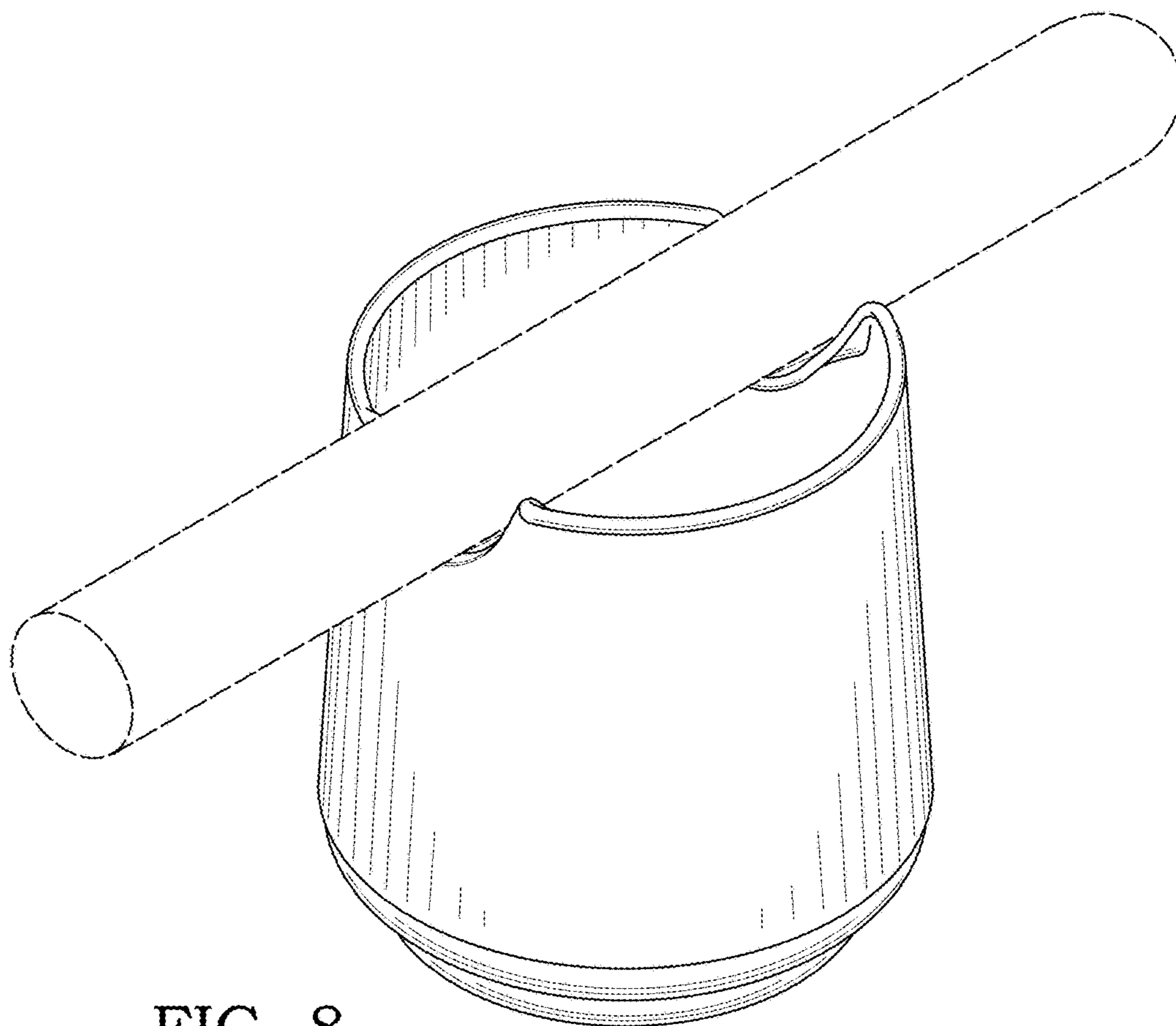


FIG. 8