



US00D819879S

(12) **United States Design Patent** (10) **Patent No.:** **US D819,879 S**
Oudina et al. (45) **Date of Patent:** **** Jun. 5, 2018**

(54) **BAR HANGER**
(71) Applicant: **Tripair, Inc.**, Montreal (CA)
(72) Inventors: **Abdelkrim Oudina**, Montreal (CA);
Lloyd Sevack, Dollard-des-Ormeaux (CA); **John Payne**, Repentigny (CA);
Jenna Sevack, Dollard-des-Ormeaux (CA)
(73) Assignee: **TRIPAR INC.**, Montreal (CA)
(**) Term: **15 Years**
(21) Appl. No.: **29/593,532**
(22) Filed: **Feb. 9, 2017**
(51) **LOC (11) Cl.** **26-05**
(52) **U.S. Cl.**
USPC **D26/142**
(58) **Field of Classification Search**
USPC D26/25, 31, 35, 36, 28, 67, 71, 83, 118,
D26/37, 41, 113, 138, 120, 121, 122;
D14/230; D17/20
CPC F21S 4/00; F21S 4/003; F21S 4/006; F21S
8/00; F21S 8/024; F21S 8/026
See application file for complete search history.

D577,857 S * 9/2008 Tress D26/141
D578,248 S * 10/2008 Lee D26/138
D578,705 S * 10/2008 Aberg D26/138
D623,342 S * 9/2010 Klu D26/138
D662,256 S * 6/2012 Klu D26/138
D665,123 S * 8/2012 Douglas D26/138
D669,211 S * 10/2012 Larson D26/138
8,297,579 B1 10/2012 Gretz
D695,955 S * 12/2013 Klus D26/138
D696,814 S * 12/2013 Matus, Jr. D26/138
9,239,131 B1 1/2016 Wronski et al.
D763,496 S * 8/2016 Tran D26/88
D777,366 S * 1/2017 Kitts D26/88
D780,371 S * 2/2017 Nanni D26/142
D787,112 S * 5/2017 Samson D26/138
D793,619 S * 8/2017 Harris, Jr. D26/138
D794,245 S * 8/2017 Klus D26/142

(Continued)

Primary Examiner — John Windmuller
Assistant Examiner — Benjamin M Weeks
(74) *Attorney, Agent, or Firm* — Banner & Witcoff, Ltd.

(57) **CLAIM**

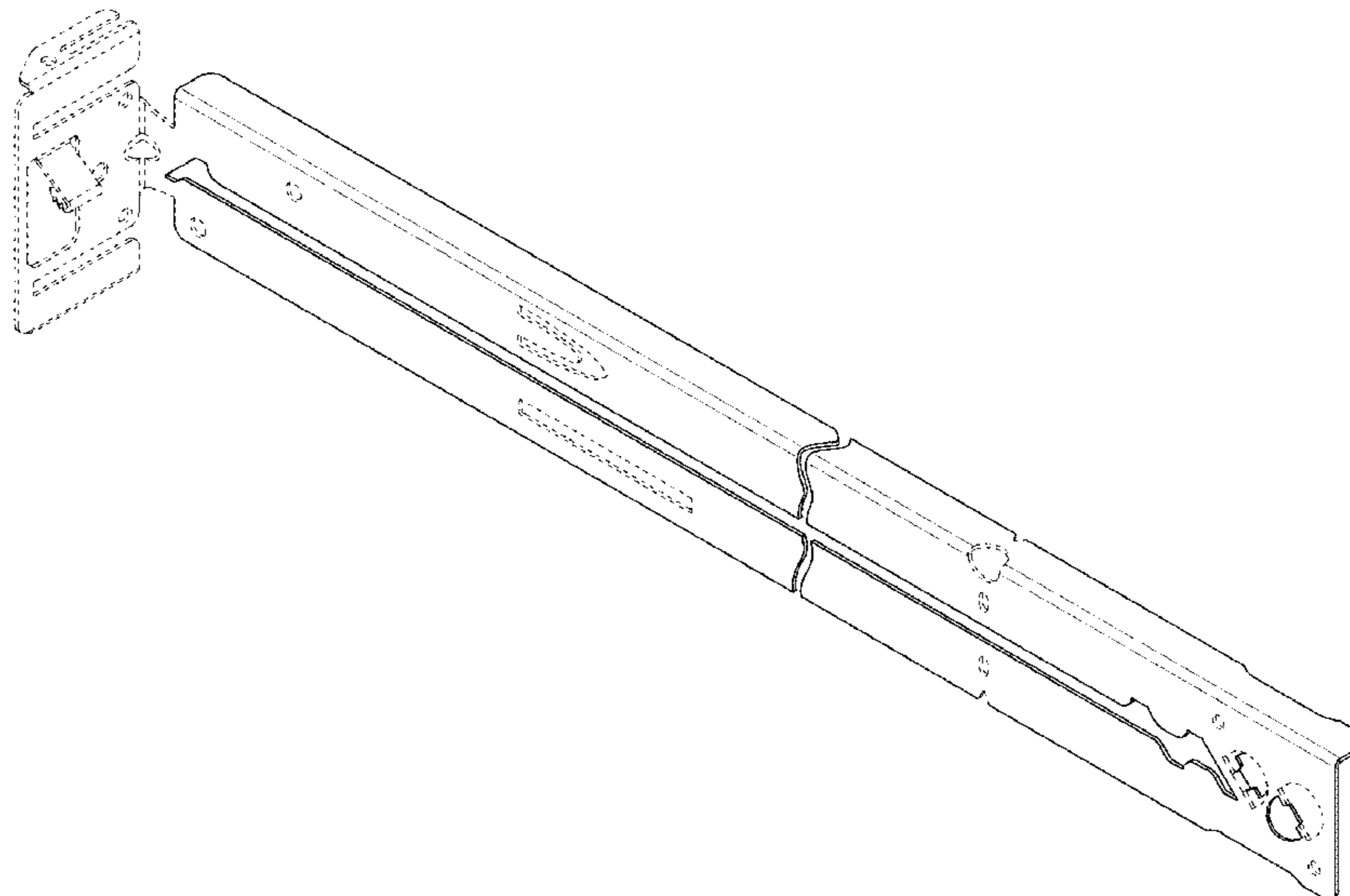
The ornamental design for a bar hanger, as shown and described.

DESCRIPTION

FIG. 1 is a perspective view of a bar hanger bearing the design;
FIG. 2 is front elevation view thereof;
FIG. 3 is a rear elevation view thereof;
FIG. 4 is a top plan view thereof;
FIG. 5 is a bottom plan view thereof;
FIG. 6 is a right side elevation view thereof; and,
FIG. 7 is a left side elevation view thereof.
The broken lines in the figures show portions of the bar hanger which form no part of the claimed design. The bar hanger is shown with a symbolic break in its length. The appearance of any portion of the bar hanger between the jagged break lines forms no part of the claimed design.

1 Claim, 4 Drawing Sheets

(56) **References Cited**
U.S. PATENT DOCUMENTS
4,165,851 A 8/1979 Bowden, Jr. et al.
5,029,794 A 7/1991 Wolfe
5,045,985 A 9/1991 Russo et al.
5,074,515 A 12/1991 Carter, Jr. et al.
5,386,959 A 2/1995 Laughlin et al.
5,690,423 A 11/1997 Hentz et al.
5,934,631 A 8/1999 Becker et al.
5,954,304 A 9/1999 Jorgensen
6,076,788 A 6/2000 Akiyama
6,105,918 A 8/2000 Gromotka
6,345,800 B1 2/2002 Herst et al.



(56)

References Cited

U.S. PATENT DOCUMENTS

D794,867	S	*	8/2017	Yulin	D26/138
D796,111	S	*	8/2017	Trzcielinski	D26/142
2003/0005517	A1		1/2003	Randolph	
2003/0006353	A1		1/2003	Dinh et al.	
2004/0182592	A1		9/2004	King et al.	
2005/0230589	A1		10/2005	Wronski	
2006/0033000	A1		2/2006	Seo	
2007/0075206	A1		4/2007	Wright et al.	
2008/0179481	A1		7/2008	Rubin de la Borbolla	
2008/0224008	A1		9/2008	Dal Ponte et al.	
2009/0231861	A1		9/2009	Wedekind	
2011/0226919	A1		9/2011	Fryzek et al.	
2014/0299730	A1		10/2014	Green et al.	
2014/0353442	A1		12/2014	Ye	

* cited by examiner

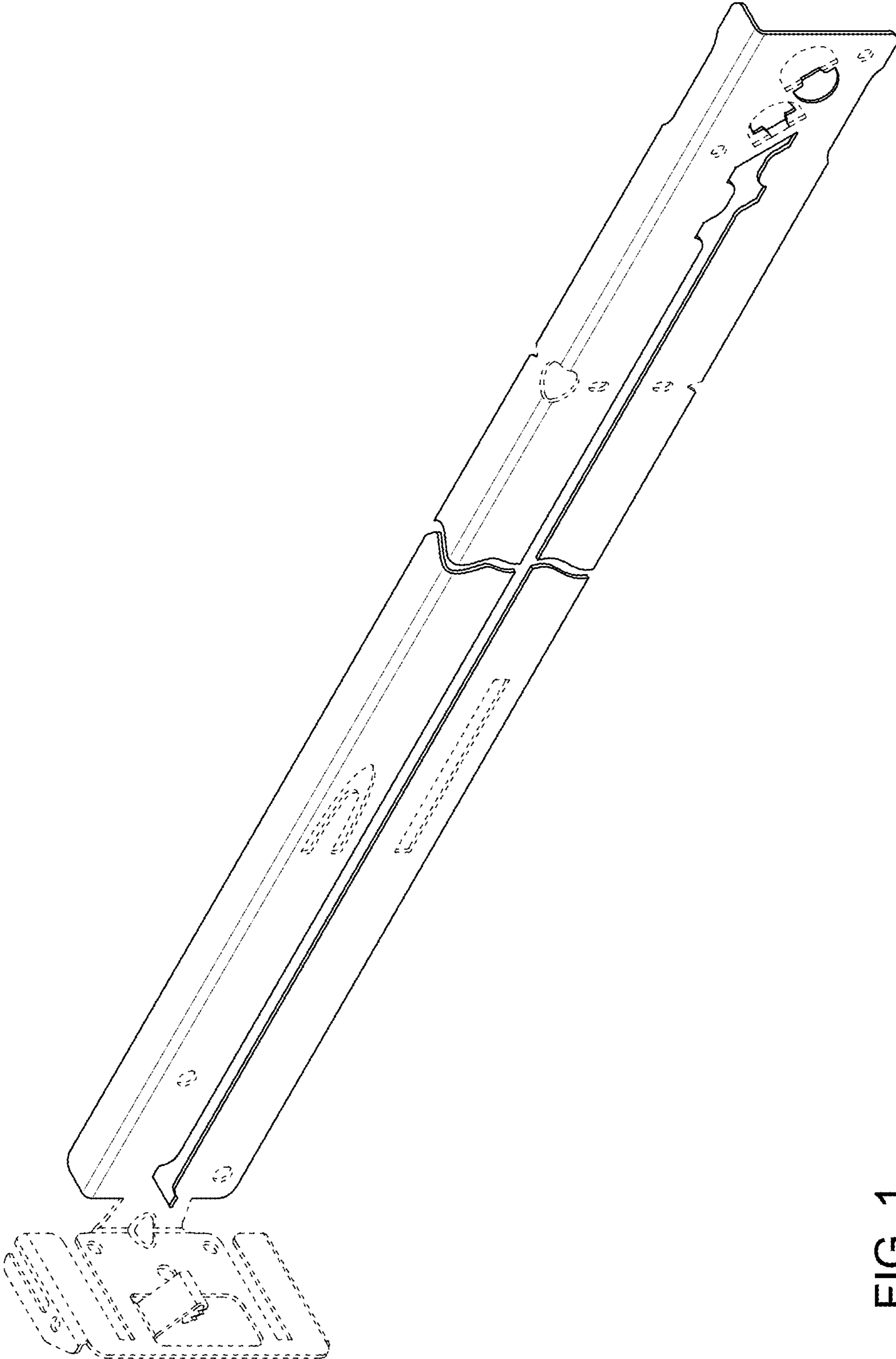


FIG. 1

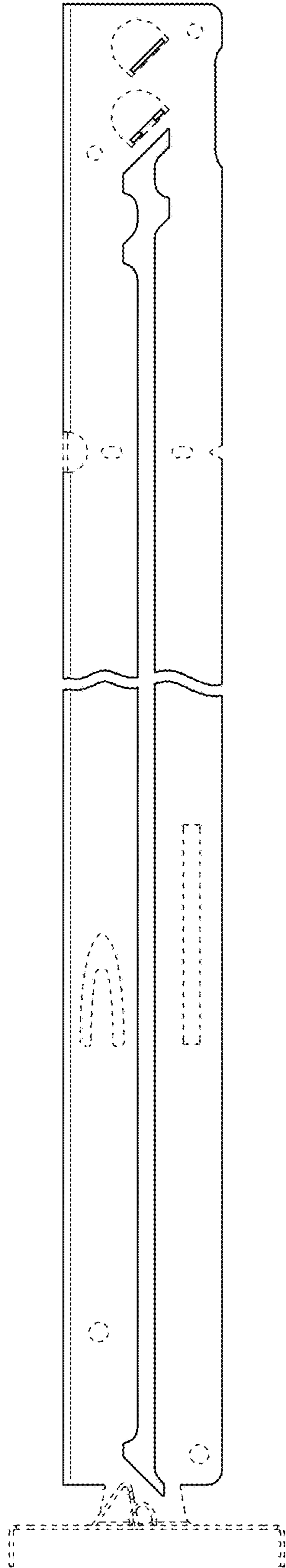


FIG. 2

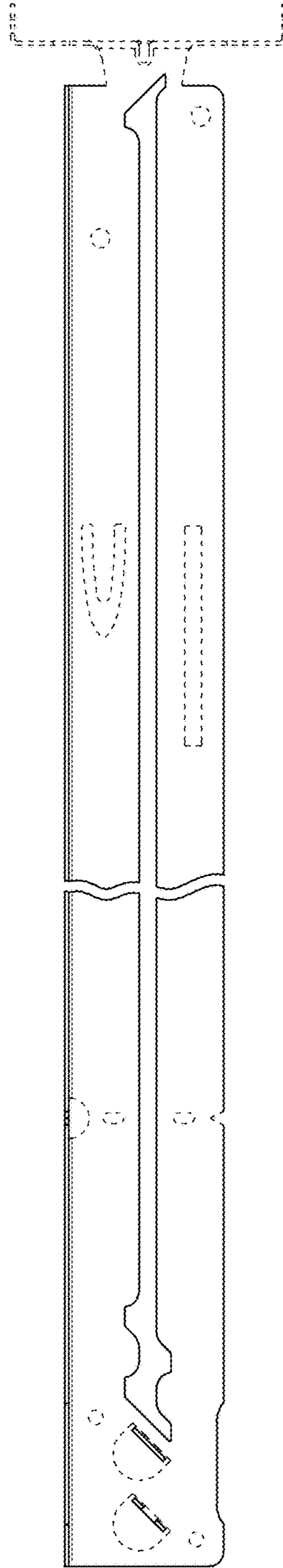


FIG. 3

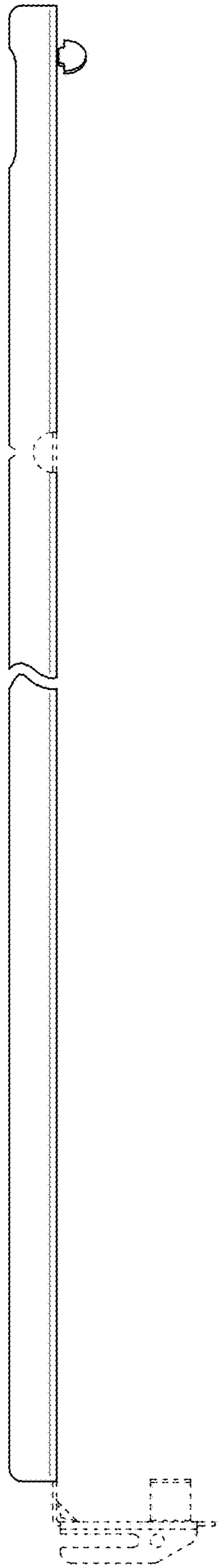


FIG. 4

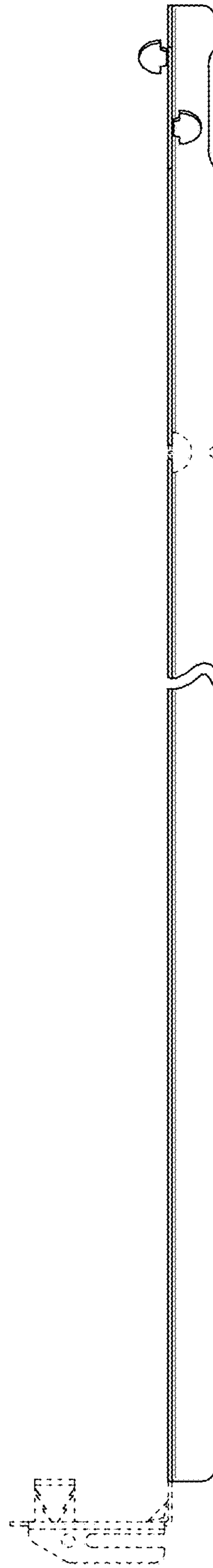


FIG. 5

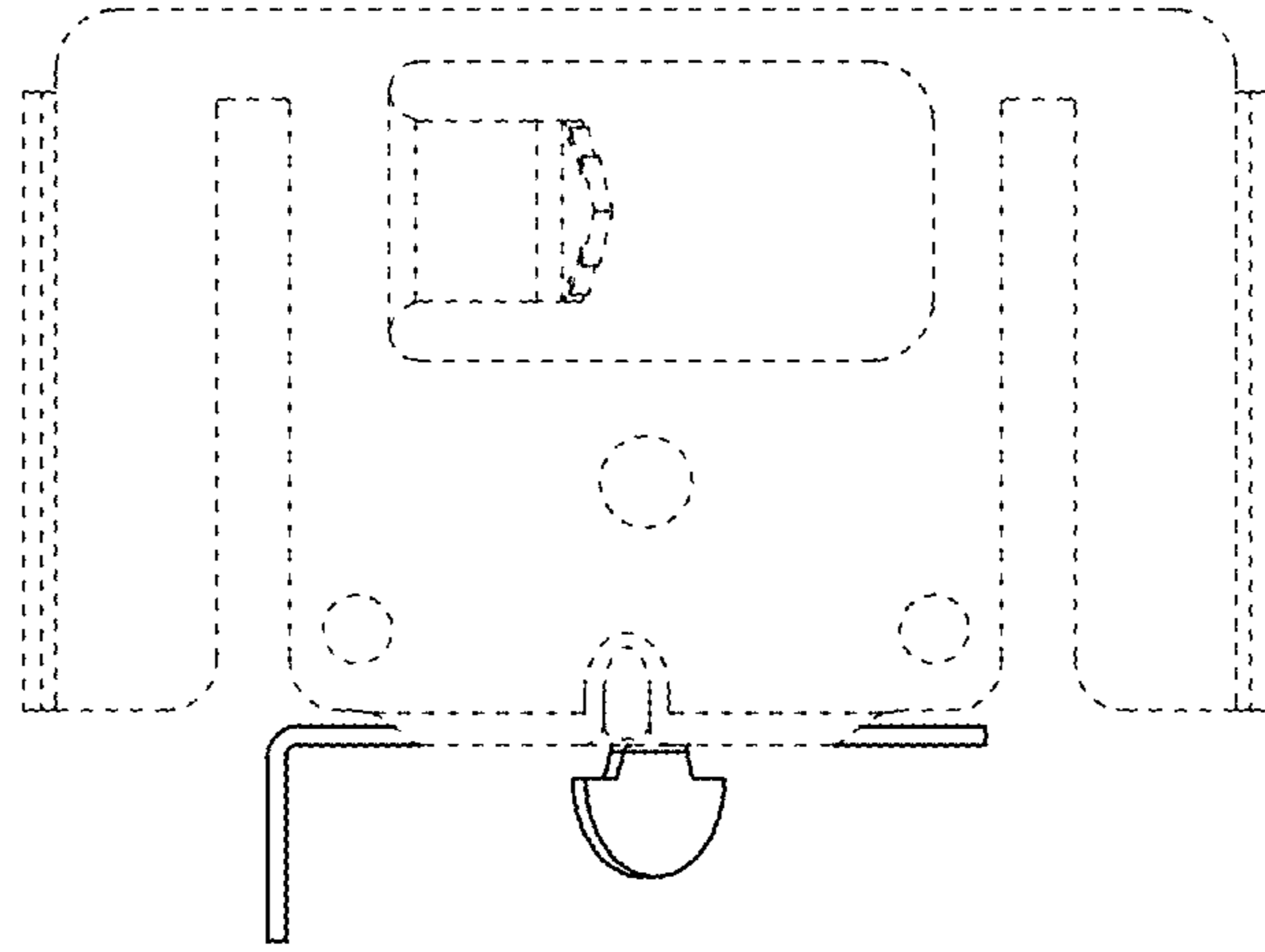


FIG. 7

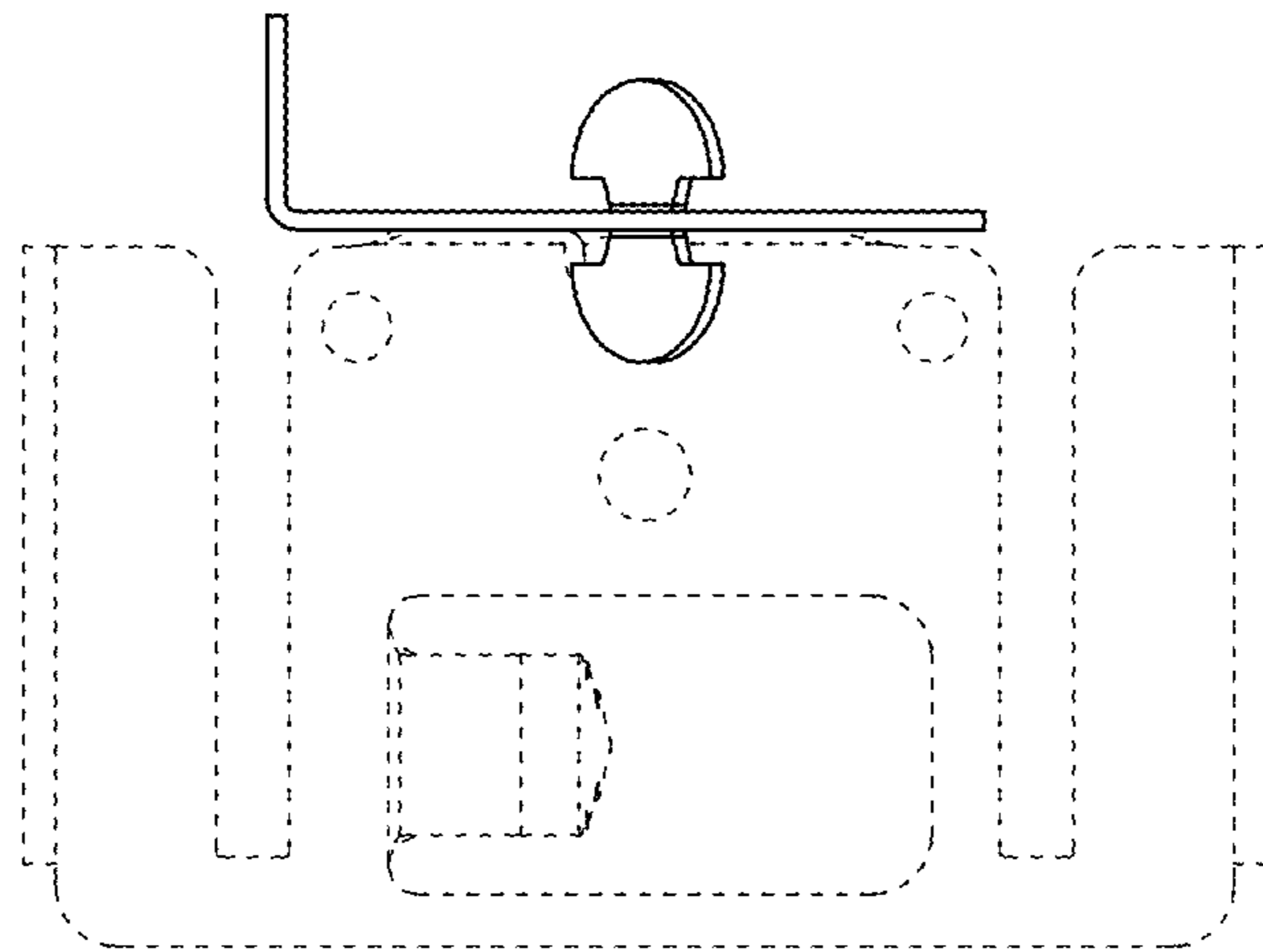


FIG. 6