



US00D819877S

(12) **United States Design Patent**
Gramling et al.

(10) **Patent No.:** **US D819,877 S**
(45) **Date of Patent:** **** Jun. 5, 2018**

- (54) **LIGHT INSERT HOLDER**
- (71) Applicants: **Steven Gramling**, Redondo Beach, CA (US); **Carleton Ruthling**, Torrance, CA (US)
- (72) Inventors: **Steven Gramling**, Redondo Beach, CA (US); **Carleton Ruthling**, Torrance, CA (US)
- (73) Assignee: **Steven Gramling**, Redondo Beach, CA (US)

D406,383	S	*	3/1999	Adams	D26/138
D434,512	S	*	11/2000	Yuen	D26/37
D485,925	S	*	1/2004	Oas	D26/38
7,036,627	B2	*	5/2006	Costa	A61B 7/02 181/131
D544,388	S	*	6/2007	Chisholm	D10/114.2
D566,875	S	*	4/2008	Khubani	D26/72
D745,727	S	*	12/2015	Ruthling	D26/28
D745,728	S	*	12/2015	Ruthling	D26/28
D746,501	S	*	12/2015	Chen	D26/28
2005/0018421	A1	*	1/2005	Parsons	A44B 15/005 362/196

(**) Term: **15 Years**

* cited by examiner

(21) Appl. No.: **29/587,965**

Primary Examiner — George D. Kirschbaum

(22) Filed: **Dec. 16, 2016**

Assistant Examiner — Natasha Vujcic

(51) **LOC (11) Cl.** **26-05**

(52) **U.S. Cl.**
USPC **D26/138**

(57) **CLAIM**

(58) **Field of Classification Search**
USPC D26/76, 78, 79, 80, 81, 82, 83, 85, 86,
D26/88, 90, 113, 118, 119, 120, 121, 122,
D26/138, 139, 140, 141, 142, 152
CPC F21S 2/00; F21S 4/00; F21S 4/003; F21S
4/005; F21S 4/006; F21S 4/007; F21S
4/008; F21S 6/00; F21S 8/00; F21S
8/024; F21S 8/026; F21S 8/031; F21S
8/033; F21S 8/035–8/037; F21S 8/04;
F21S 8/043; F21S 8/063
See application file for complete search history.

The ornamental design for a light insert holder, as shown and described.

(56) **References Cited**

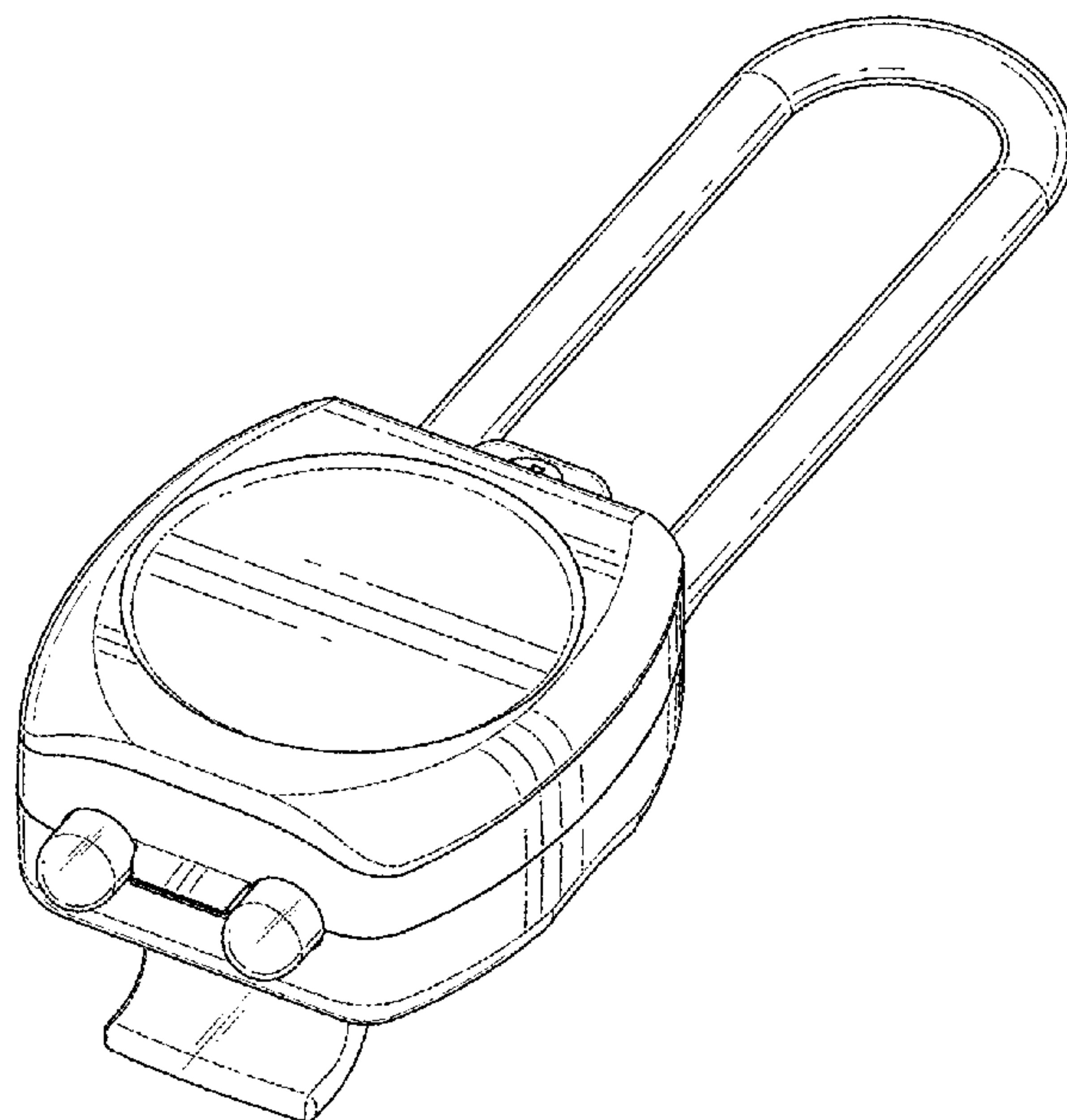
DESCRIPTION

U.S. PATENT DOCUMENTS

D319,575	S	*	9/1991	Young	D26/138
D356,246	S	*	3/1995	Adams	D26/138

FIG. 1 is a front perspective view of the light insert holder showing our new design;
FIG. 2 is a front view thereof;
FIG. 3 is a rear view thereof;
FIG. 4 is a right side view thereof;
FIG. 5 is a left side view thereof;
FIG. 6 is a top view thereof; and,
FIG. 7 is a bottom view thereof.

1 Claim, 4 Drawing Sheets



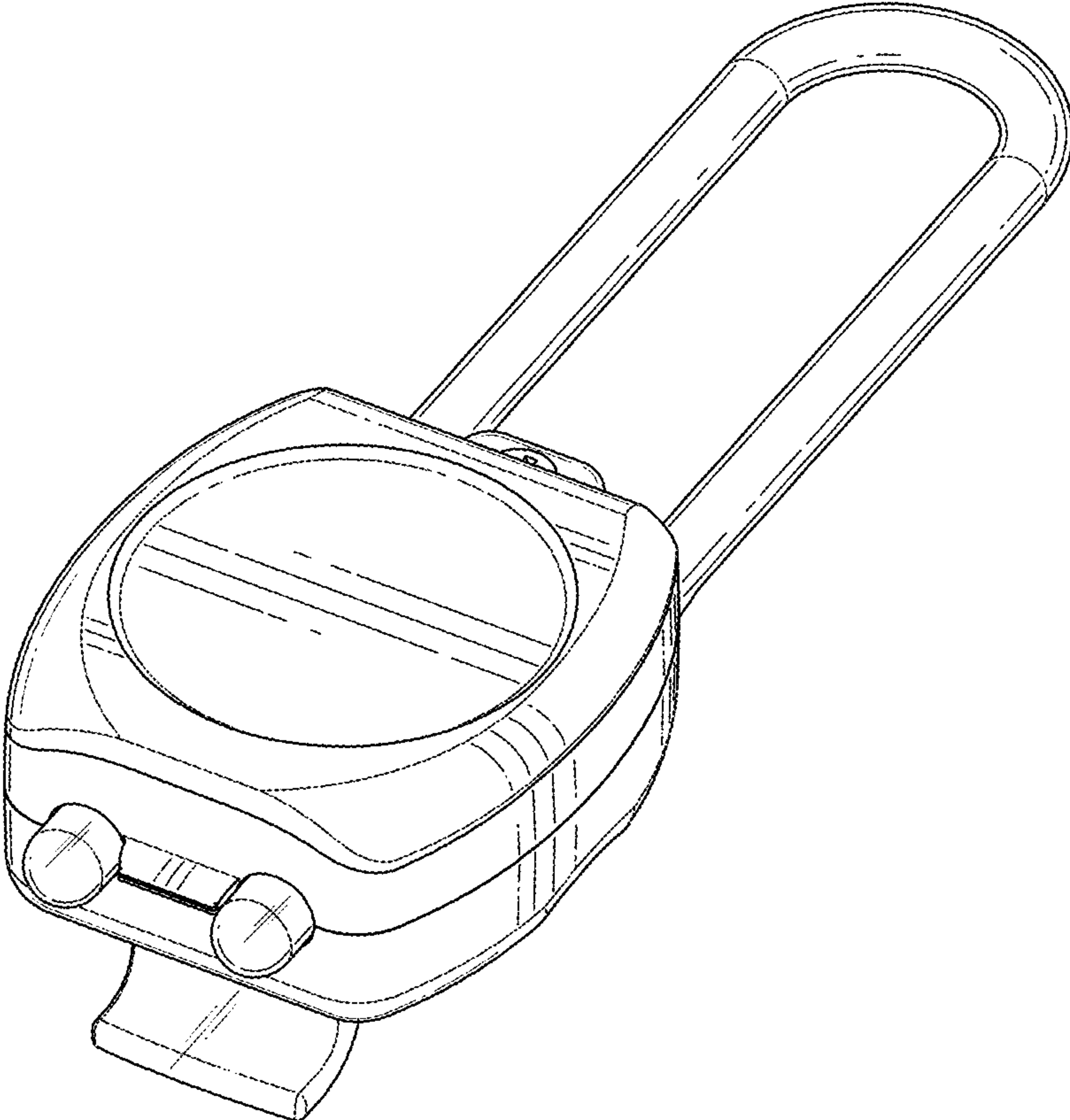


FIG. 1

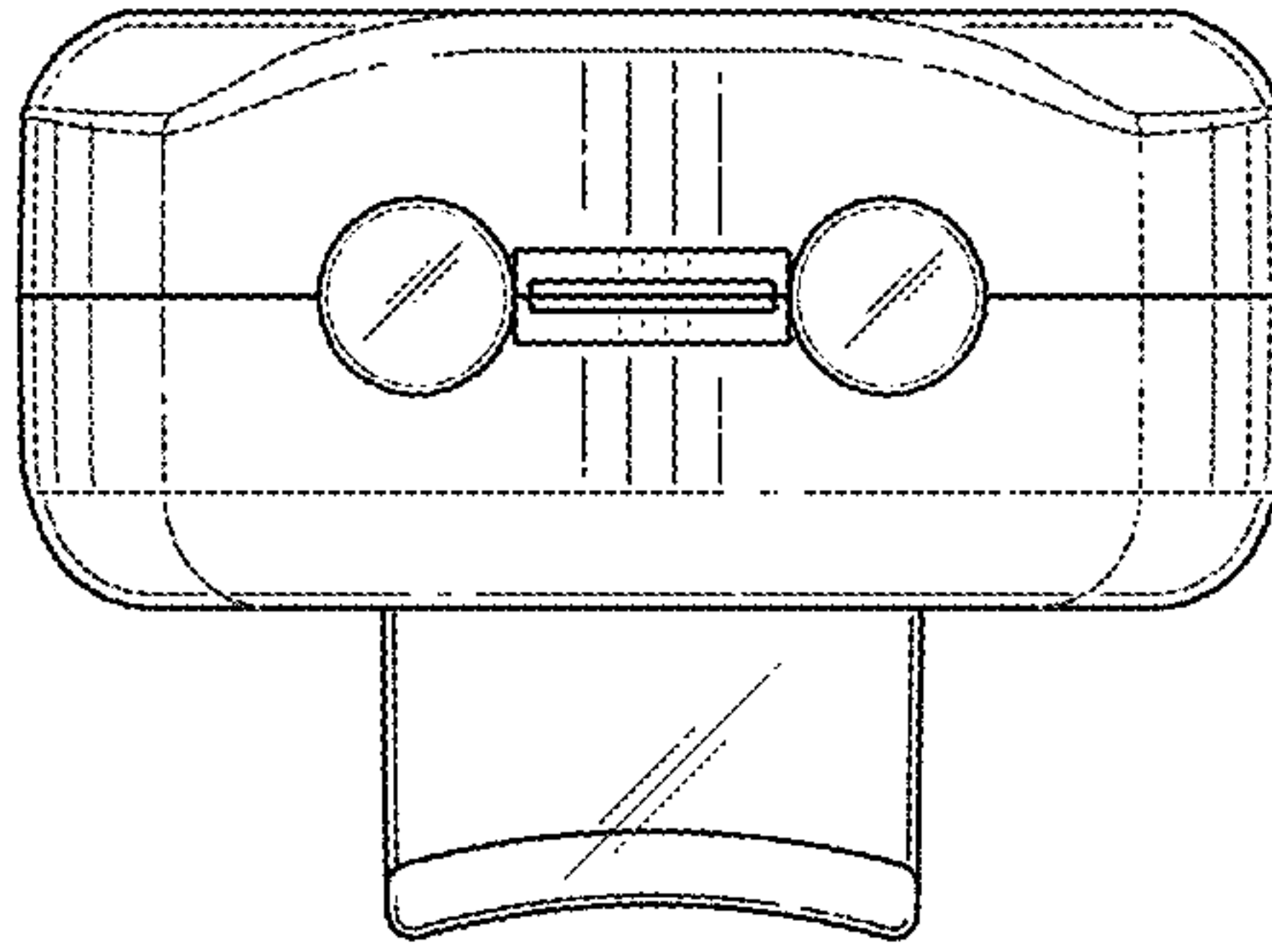


FIG. 2

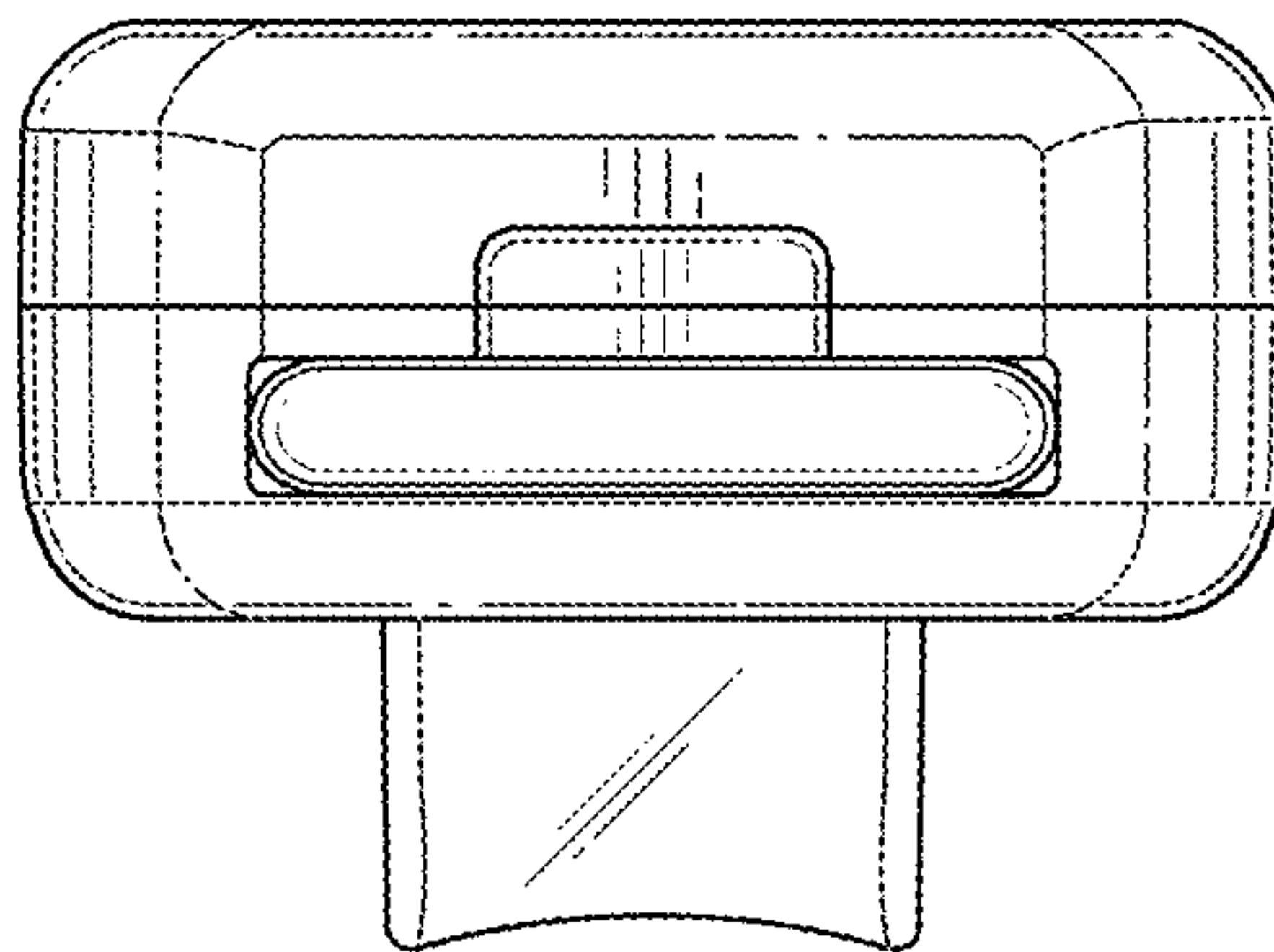


FIG. 3

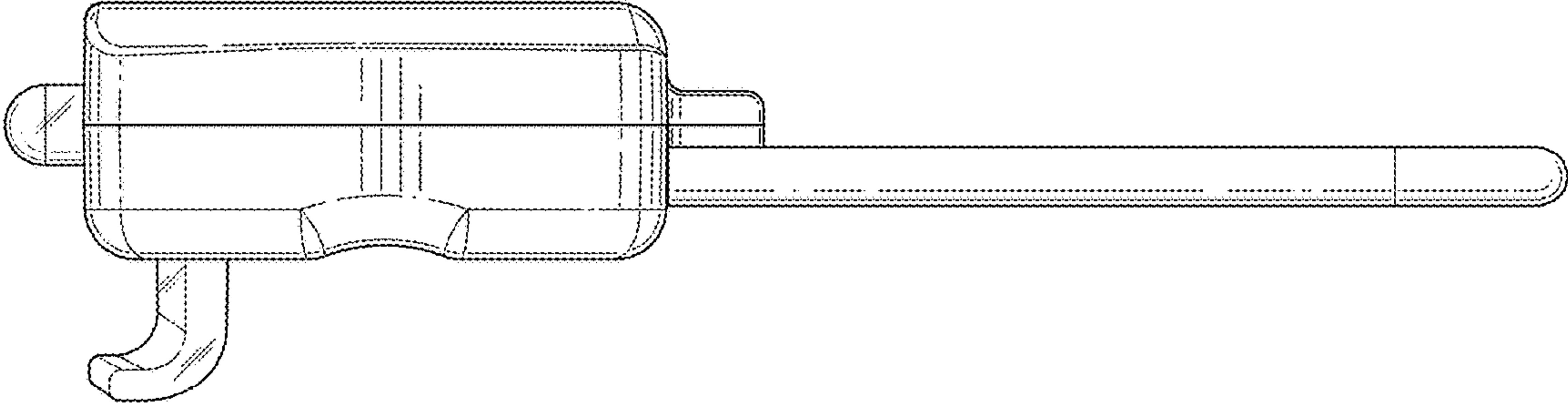


FIG. 4

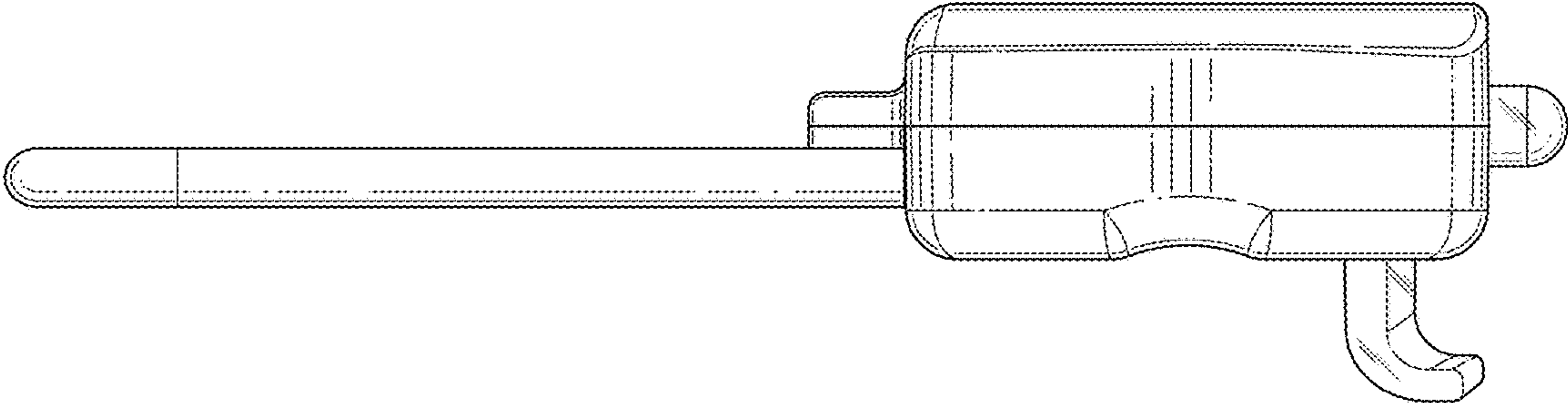


FIG. 5

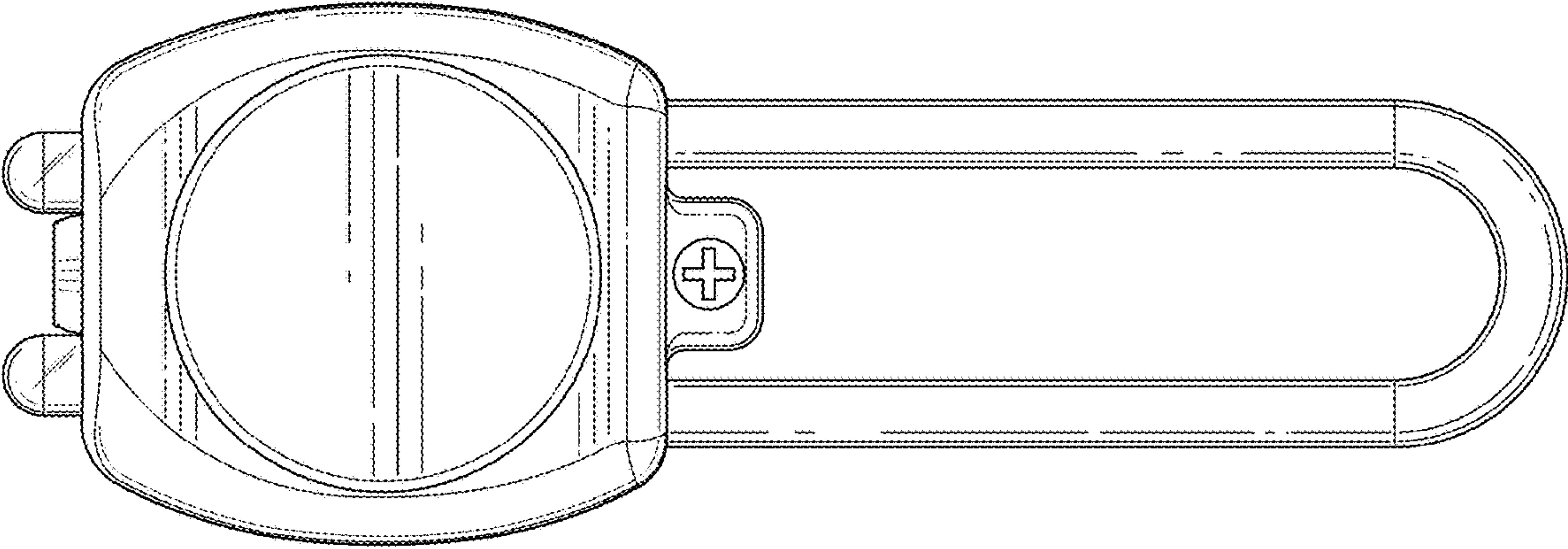


FIG. 6

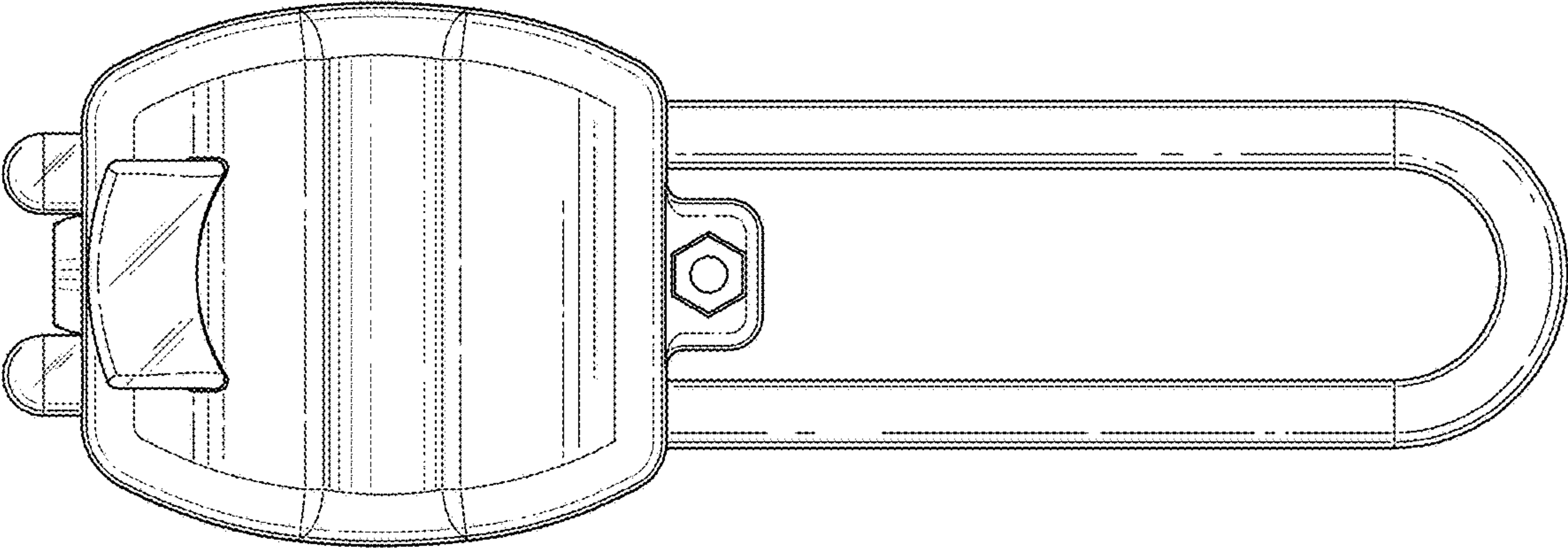


FIG. 7