



US00D819875S

(12) **United States Design Patent** (10) **Patent No.:** **US D819,875 S**  
**Yorio et al.** (45) **Date of Patent:** **\*\* Jun. 5, 2018**

(54) **SUSPENDED LIGHT FIXTURE**

(56) **References Cited**

(71) Applicant: **Biological Innovation & Optimization Systems, LLC**, Melbourne, FL (US)

U.S. PATENT DOCUMENTS

(72) Inventors: **Neil Yorio**, Indian Harbour Beach, FL (US); **Shane Sullivan**, Indialantic, FL (US); **Richard LeClair**, Palm Bay, FL (US); **Wei Sun**, Indialantic, FL (US); **Eric Thosteson**, Satellite Beach, FL (US)

D584,848 S \* 1/2009 Menke ..... D26/76  
D664,282 S \* 7/2012 Santoro ..... D26/76  
D792,002 S \* 7/2017 Zhao ..... D26/84  
D809,701 S \* 2/2018 Tweel ..... D26/118  
D811,647 S \* 2/2018 Stanley ..... D26/118

\* cited by examiner

*Primary Examiner* — Brian N. Vinson

(73) Assignee: **BIOLOGICAL INNOVATION & OPTIMIZATION SYSTEMS**, Melbourne, FL (US)

(74) *Attorney, Agent, or Firm* — OIPWC, LLC

(\*\*) Term: **15 Years**

(57) **CLAIM**

The ornamental design for a suspended light fixture, as shown and described.

(21) Appl. No.: **29/581,735**

**DESCRIPTION**

(22) Filed: **Oct. 21, 2016**

FIG. 1 is a perspective view for a suspended light fixture according to our new design.

(51) **LOC (11) Cl.** ..... **26-99**

FIG. 2 is a front plan view thereof.

(52) **U.S. Cl.**

FIG. 3 is a rear plan view thereof.

USPC ..... **D26/118**

FIG. 4 is a right plan view thereof.

(58) **Field of Classification Search**

USPC ..... D26/68, 72, 76, 84, 90, 118

FIG. 5 is a left plan view thereof.

CPC ... F21V 5/008; F21V 5/02; F21V 7/04; F21V

FIG. 6 is a top plan view thereof.

7/041; F21V 7/043; F21V 7/045; F21V

FIG. 7 is a bottom plan view thereof; and,

7/046; F21V 7/048; F21V 7/05; F21V

FIG. 8 is another perspective view thereof.

7/06; F21V 7/07; F21V 7/08; F21V 7/09;

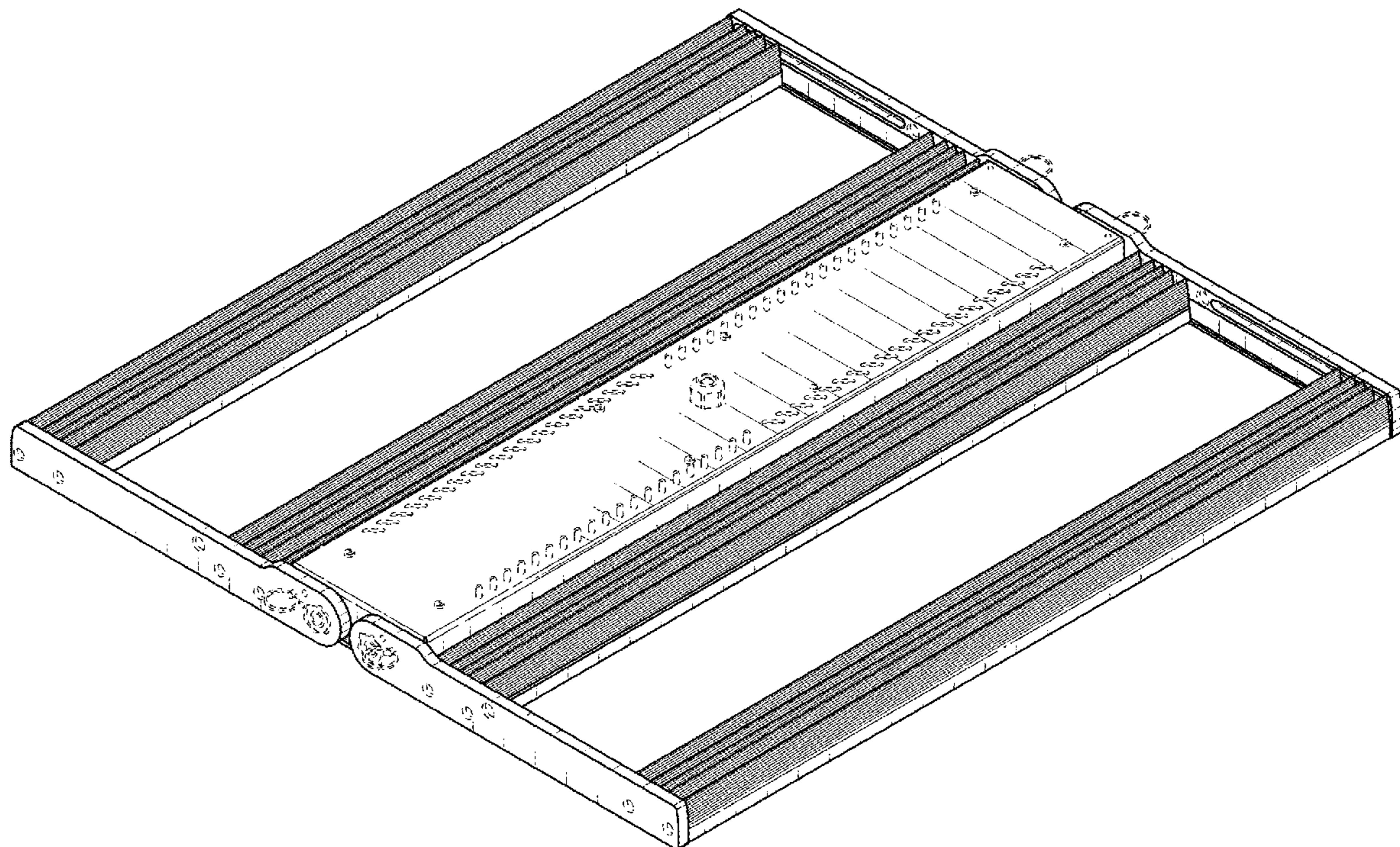
The broken lines shown in the drawings illustrate portions of the suspended light fixture that form no part of the claimed design.

F21S 8/04; F21S 8/06; F21S 8/061; F21S

8/063; F21S 8/068

See application file for complete search history.

**1 Claim, 6 Drawing Sheets**





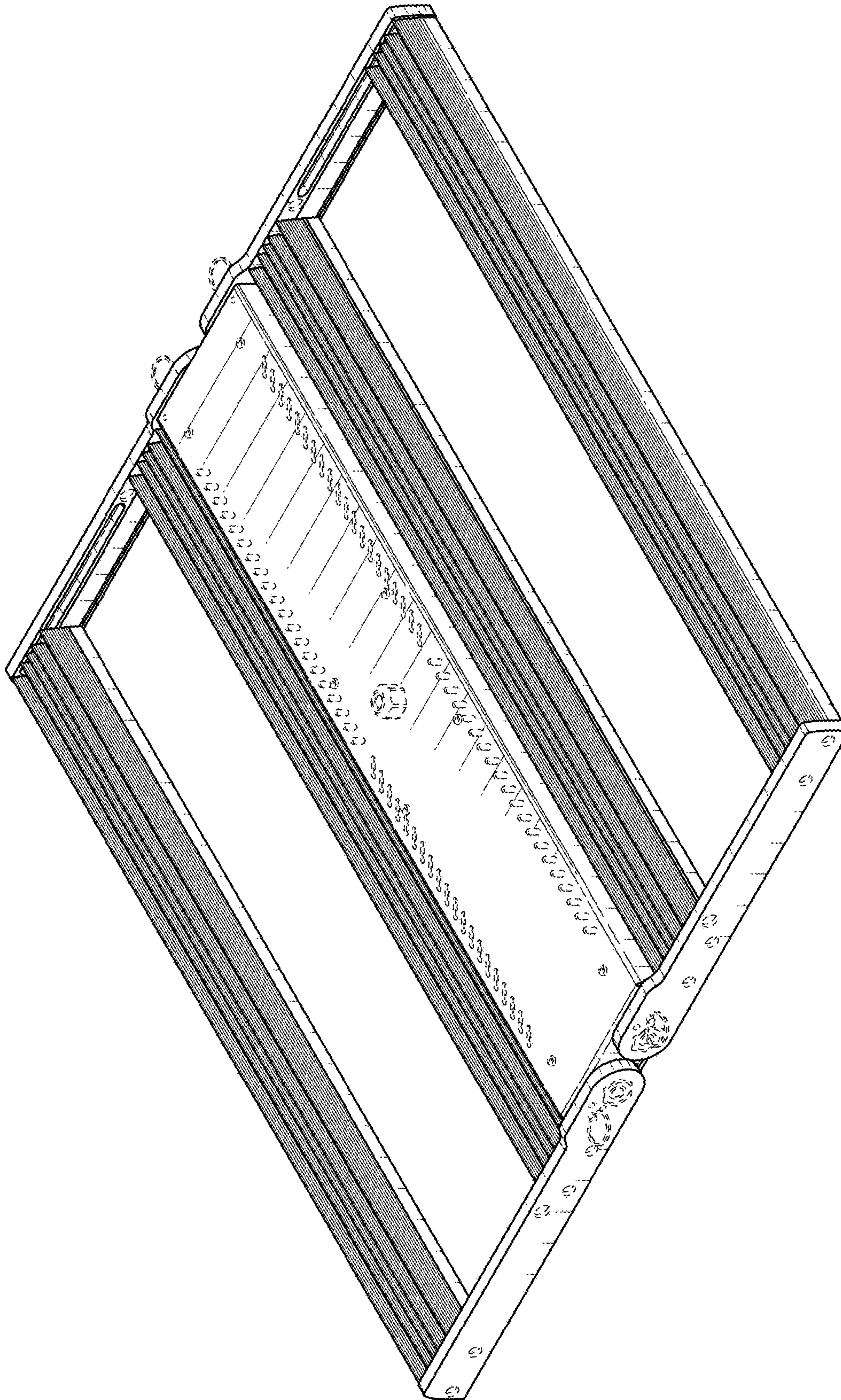


FIG. 1

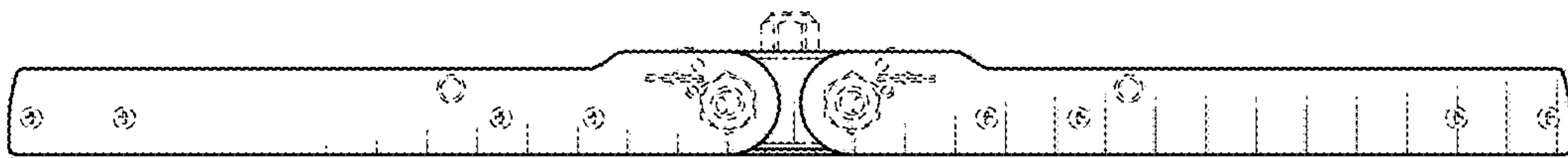


FIG. 2

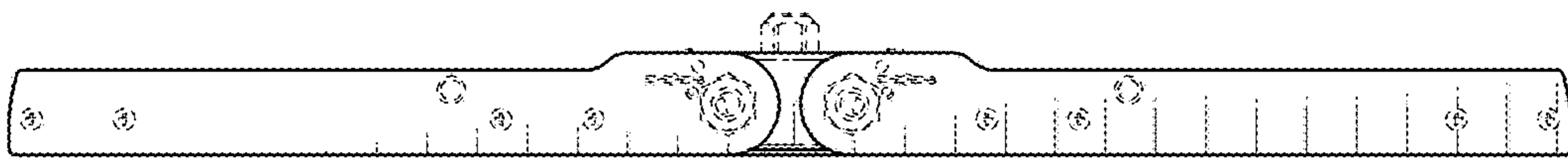


FIG. 3



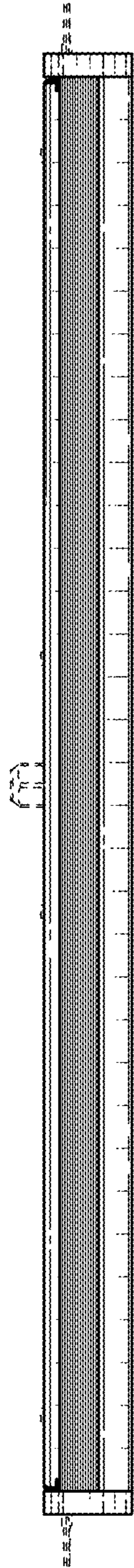


FIG. 4

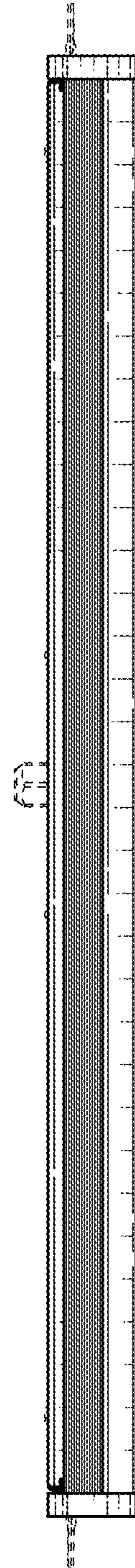


FIG. 5

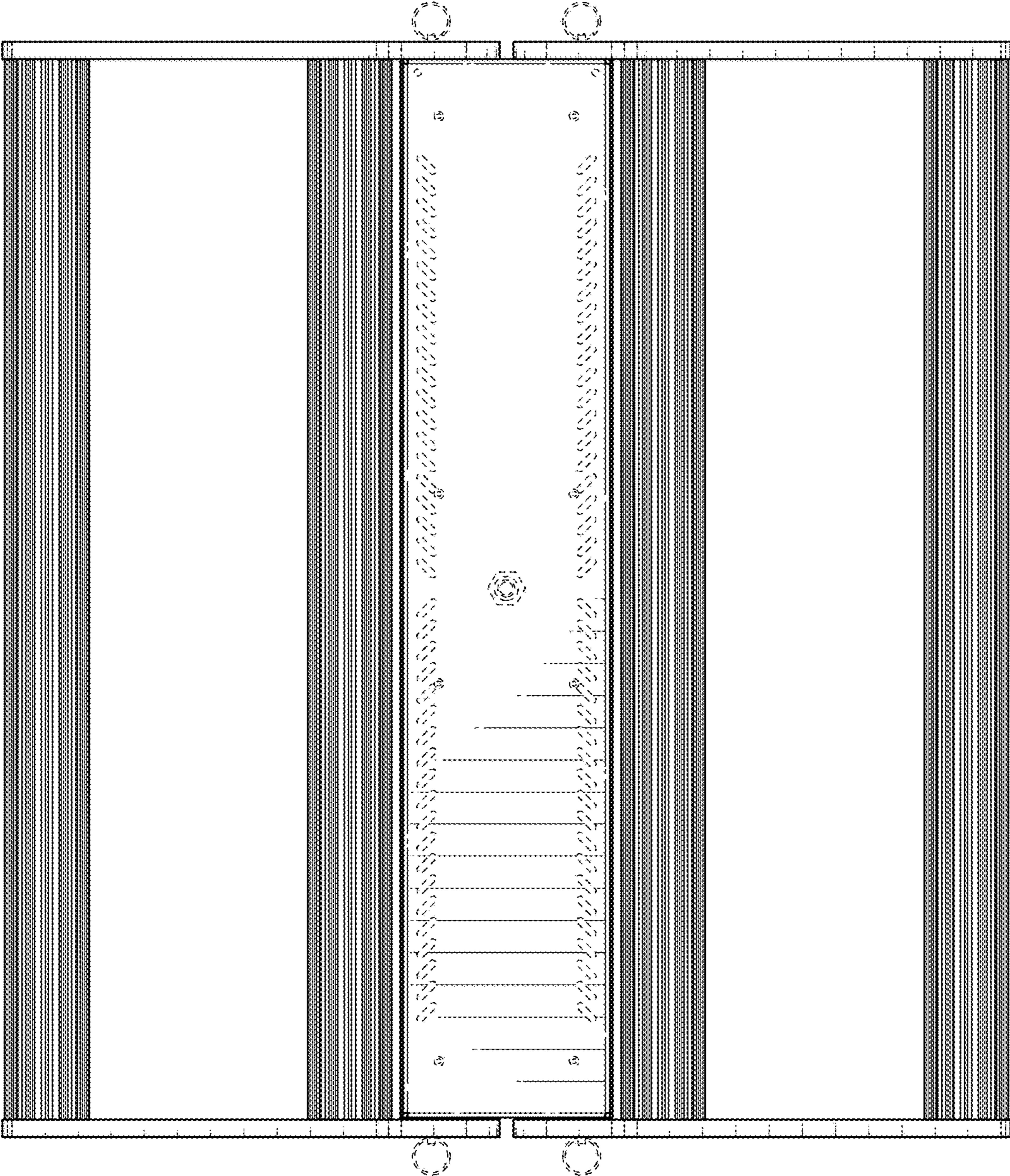


FIG. 6



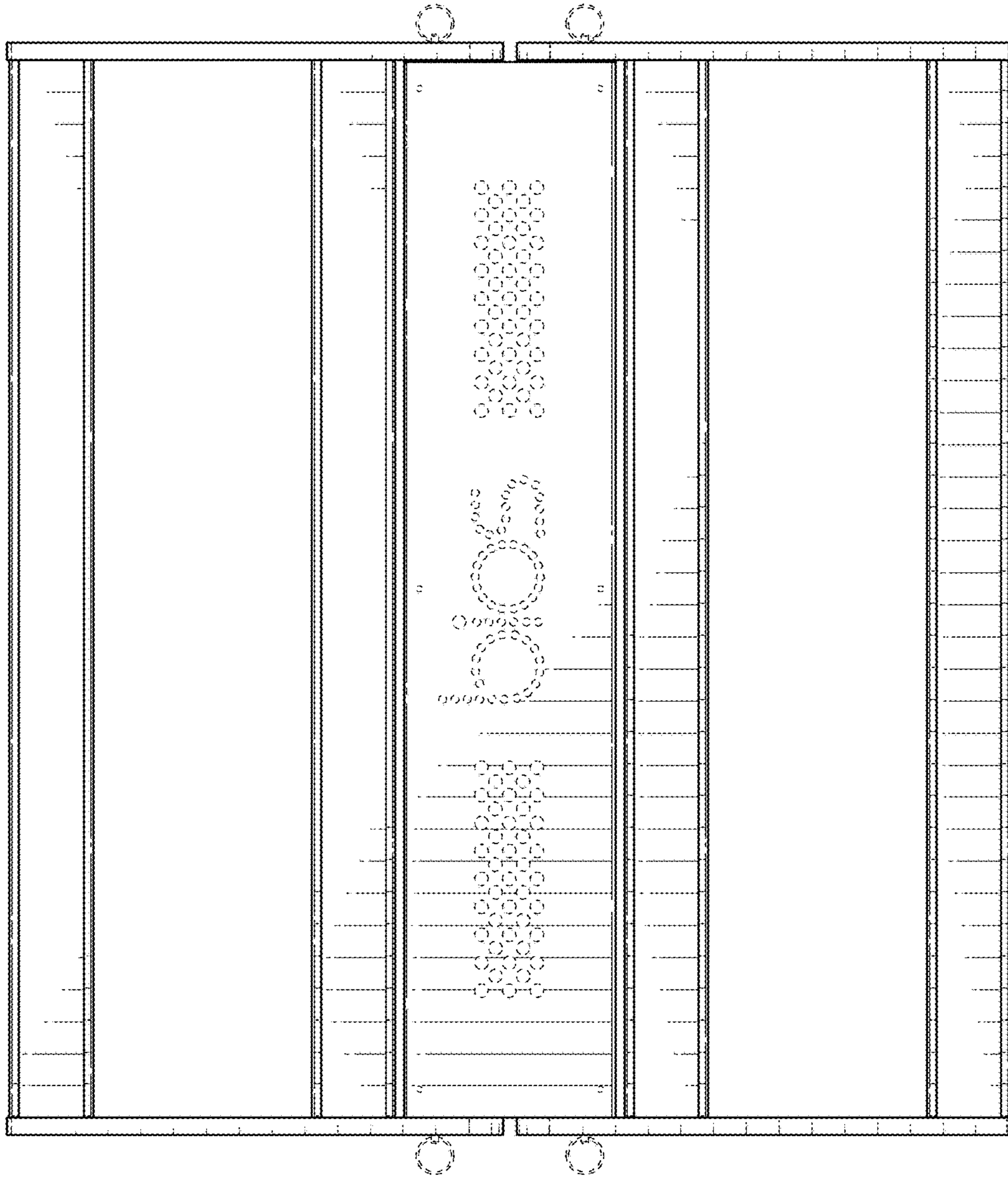


FIG. 7

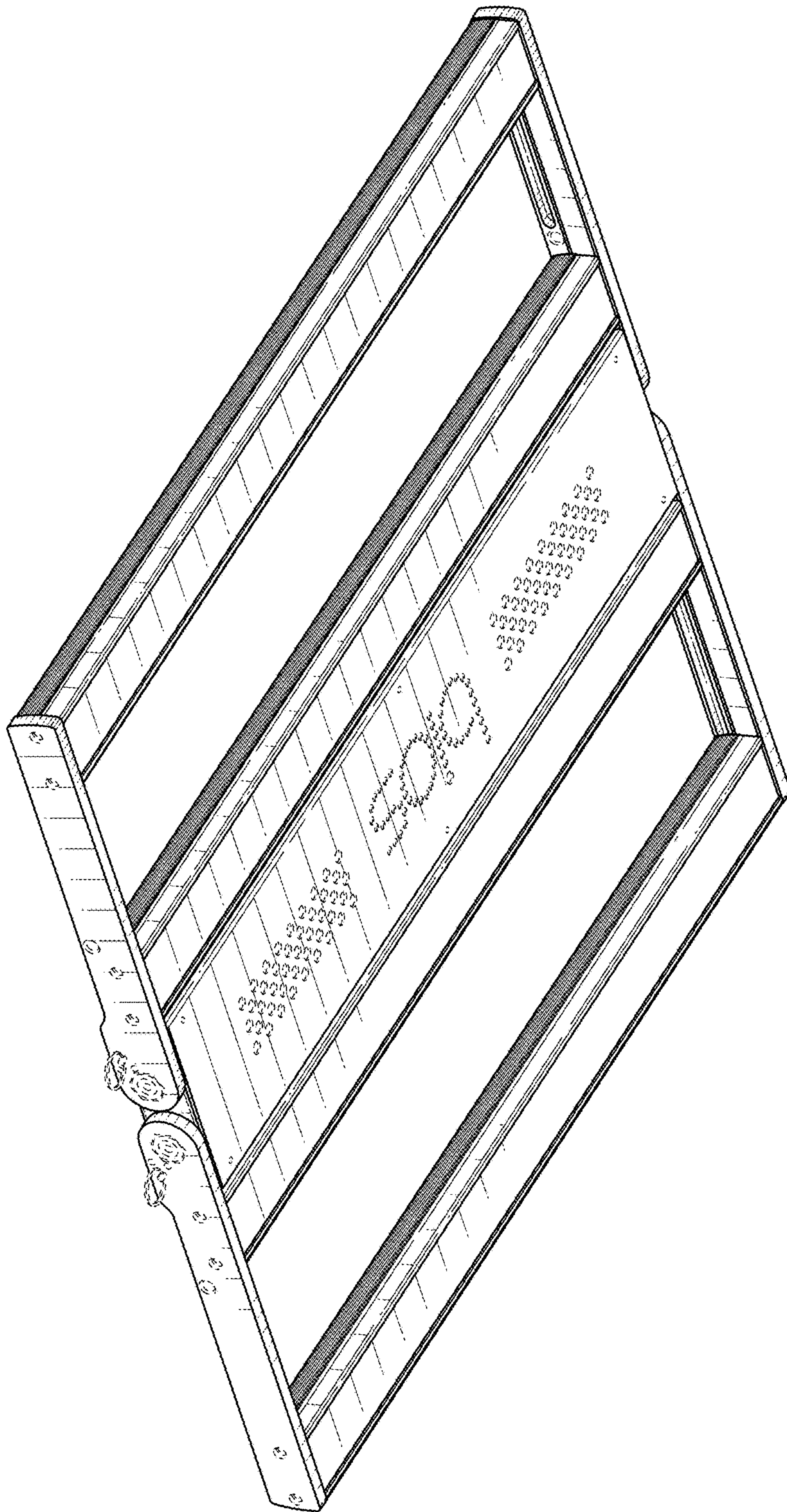


FIG. 8