



US00D819871S

(12) **United States Design Patent**
Yan

(10) **Patent No.:** **US D819,871 S**

(45) **Date of Patent:** **** Jun. 5, 2018**

(54) **AIRPLANE-SHAPED SOLAR SPOTLIGHT**

(71) Applicant: **Xiangshan Yan**, Sichuan (CN)

(72) Inventor: **Xiangshan Yan**, Sichuan (CN)

(**) Term: **15 Years**

(21) Appl. No.: **29/589,823**

(22) Filed: **Jan. 4, 2017**

(51) **LOC (11) Cl.** **26-03**

(52) **U.S. Cl.**
USPC **D26/97**

(58) **Field of Classification Search**
USPC D26/97, 24, 93, 94, 63, 104; D21/447,
D21/398, 436, 451, 483; D11/131, 157,
D11/162

CPC F21S 6/00; F21S 6/002; F21S 9/02; F21V
1/00; F21V 3/00; F21W 2131/30
See application file for complete search history.

(56) **References Cited**

U.S. PATENT DOCUMENTS

D110,196 S * 6/1938 Schober D26/97
2,638,583 A * 5/1953 Edwards, Jr. F21S 9/02
116/63 R

D252,169 S * 6/1979 Lacko, Sr. D26/97
D337,390 S * 7/1993 Lin D26/97
D401,003 S * 11/1998 Cheung D26/97
D430,950 S * 9/2000 Lee D26/104
D554,283 S * 10/2007 Leeks D26/111
D614,800 S * 4/2010 Barbeau D26/97
D645,185 S * 9/2011 Chen D26/63

* cited by examiner

Primary Examiner — Brian N. Vinson

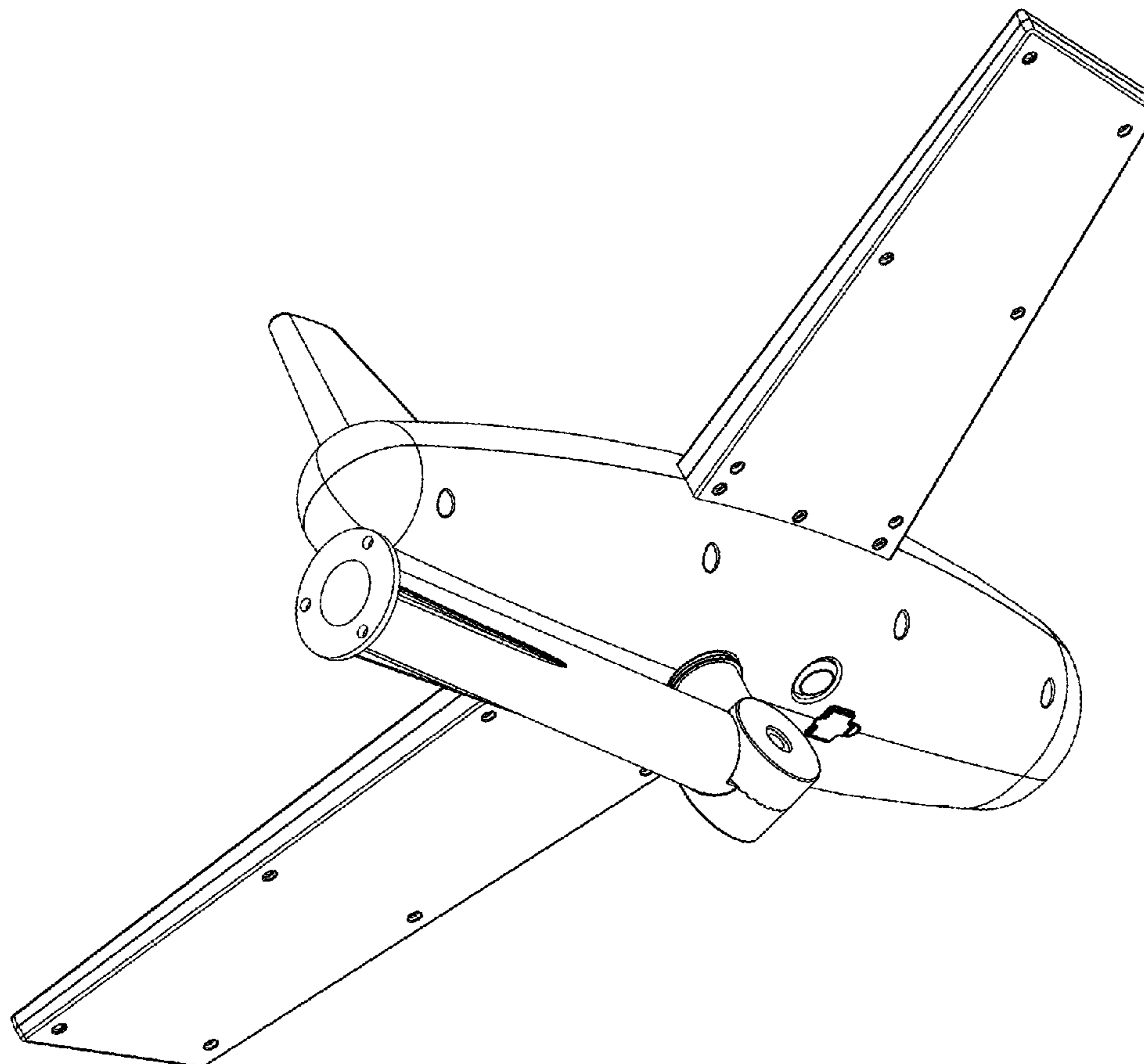
(57) **CLAIM**

The ornamental design for airplane-shaped solar spotlight,
as shown and described.

DESCRIPTION

FIG. 1 is a front plan view thereof;
FIG. 2 is a back plan view thereof;
FIG. 3 is a left plan view thereof;
FIG. 4 is a right plan view thereof;
FIG. 5 is a top plan view thereof;
FIG. 6 is a bottom plan view thereof; and,
FIG. 7 is a perspective view thereof.

1 Claim, 7 Drawing Sheets



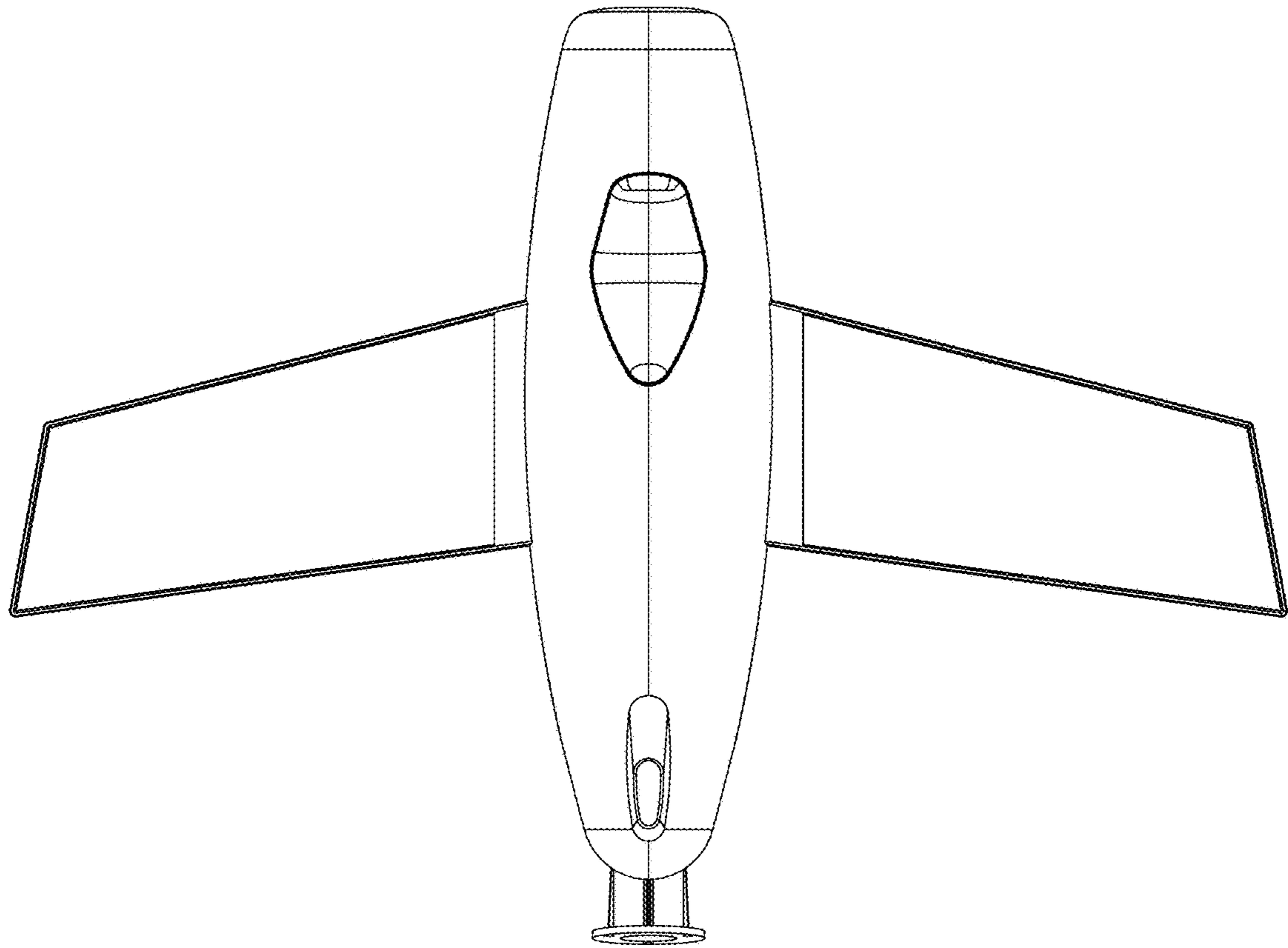


FIG.1

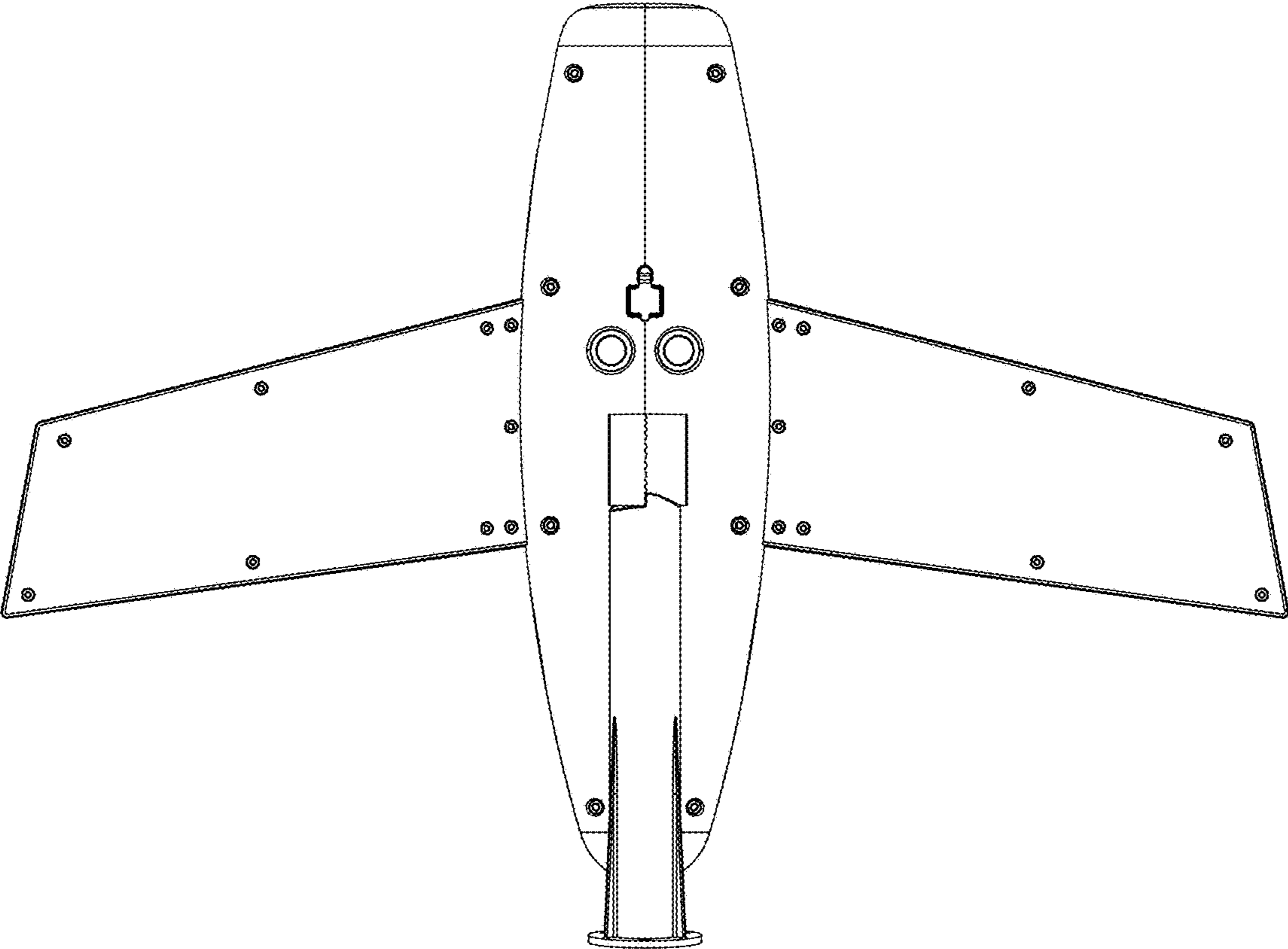


FIG.2

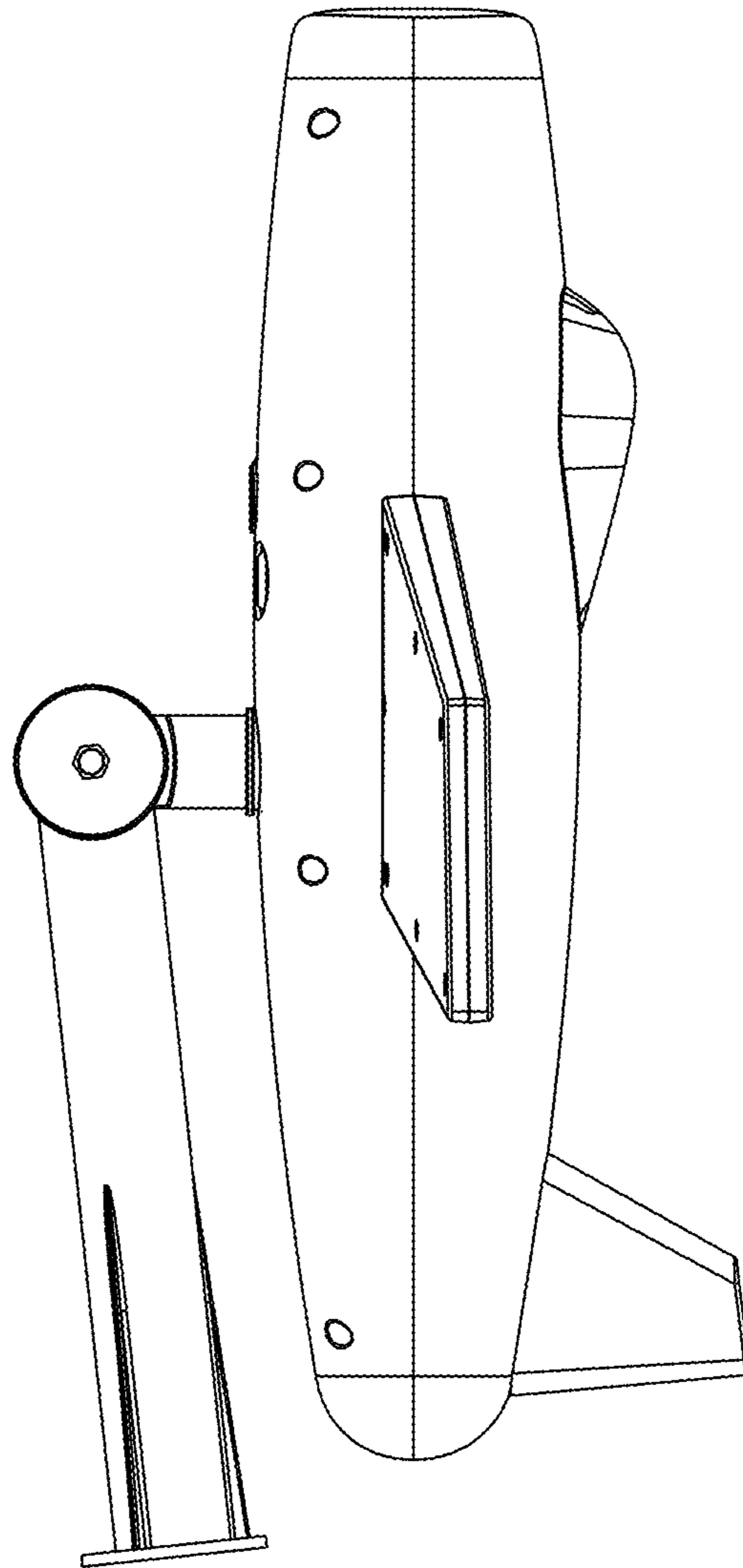


FIG.3

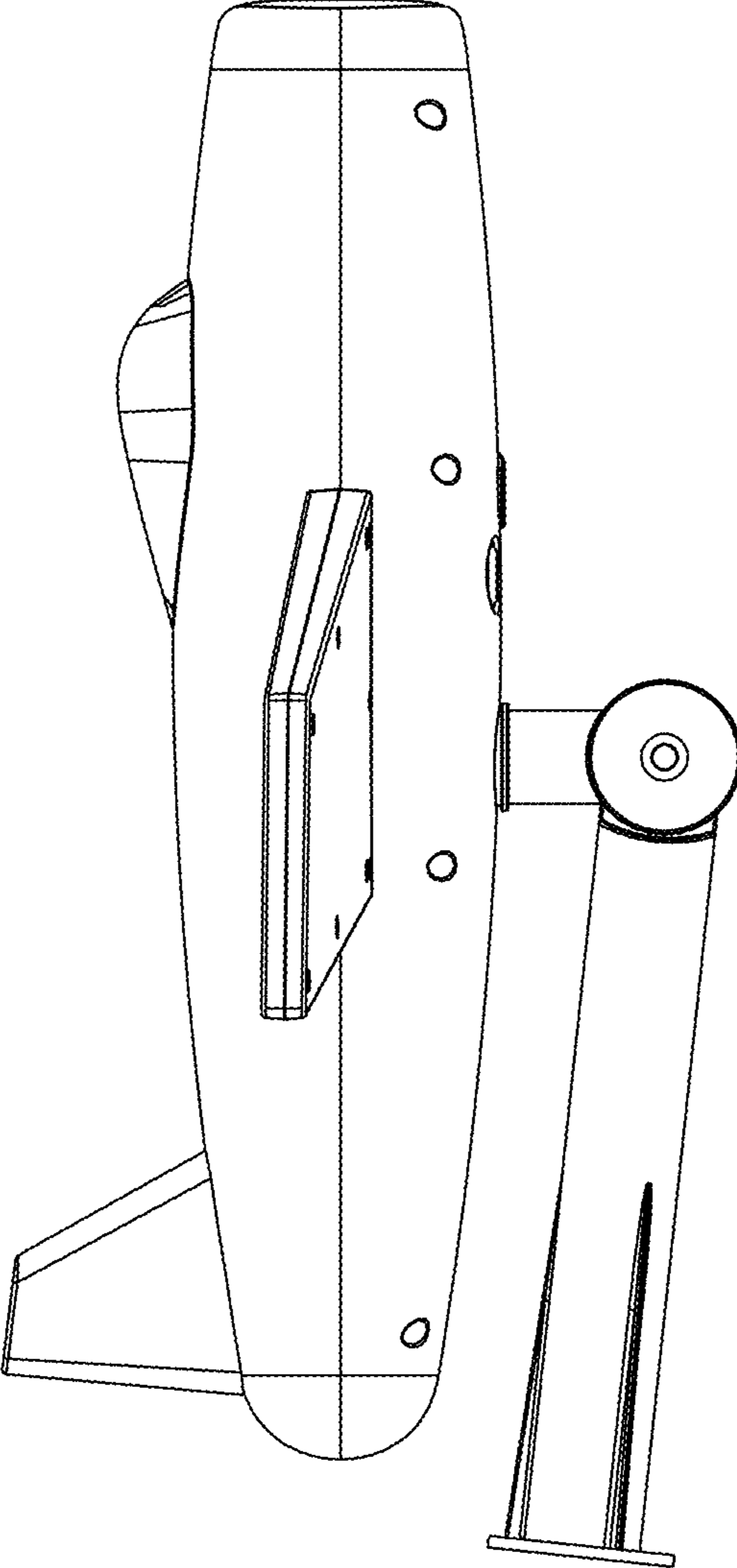


FIG. 4

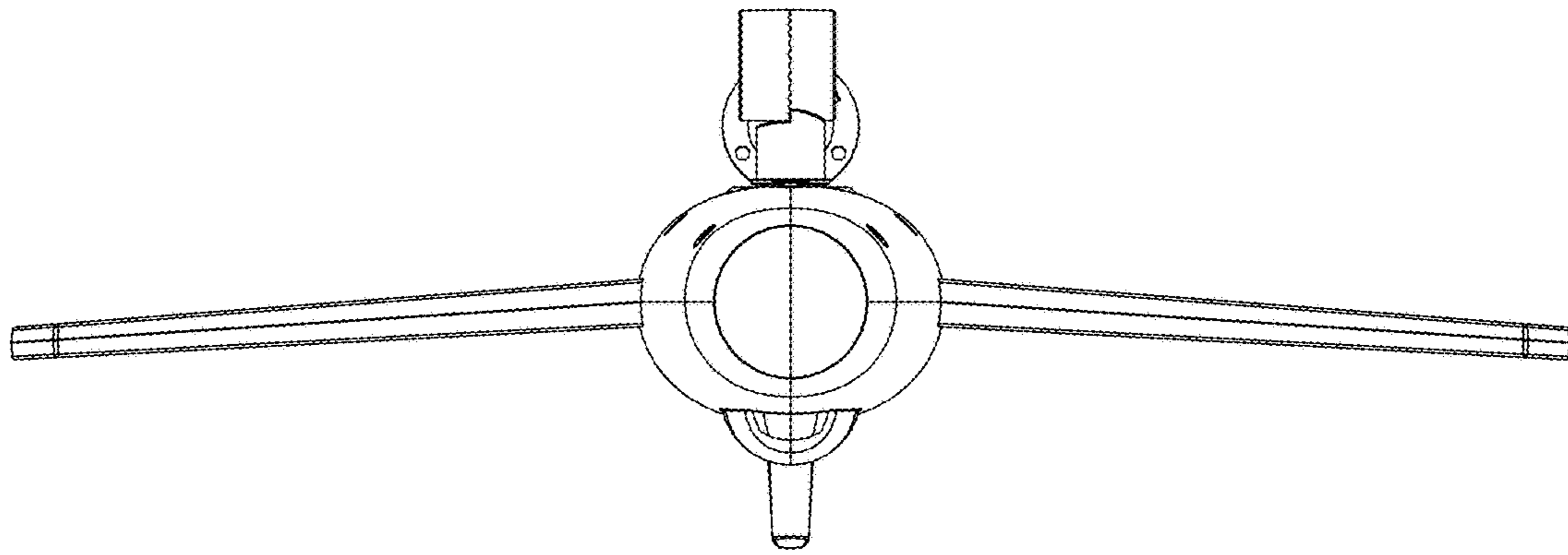


FIG.5

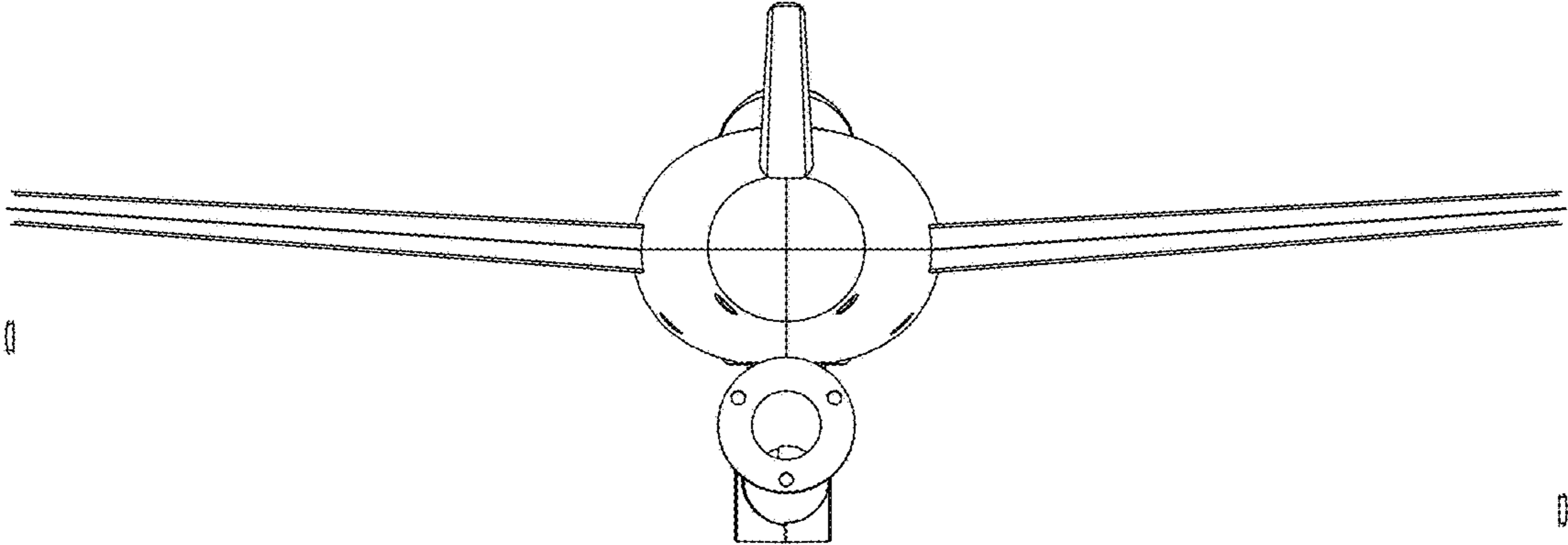


FIG.6

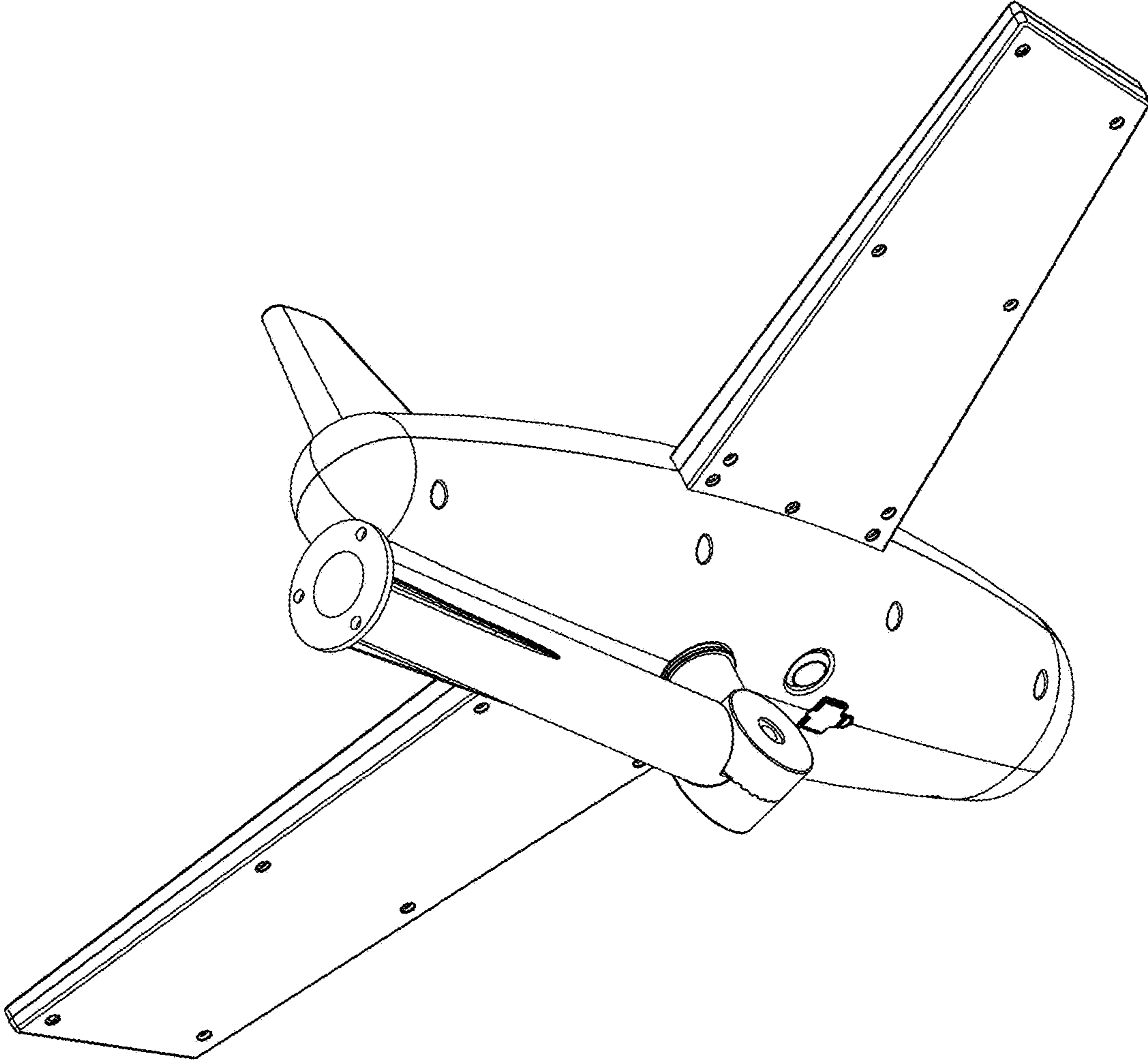


FIG.7