



US00D819870S

(12) **United States Design Patent**
Gambrel et al.

(10) **Patent No.:** **US D819,870 S**

(45) **Date of Patent:** **** Jun. 5, 2018**

(54) **LIGHTING FIXTURE**

(71) Applicant: **The Urban Electric Company**, North Charleston, SC (US)

(72) Inventors: **Steven Gambrel**, New York, NY (US); **Michael Amato**, Johns Island, SC (US); **David Dawson**, Charleston, SC (US); **Jonathan Charpia**, Summerville, SC (US); **Christopher Roof**, Charleston, SC (US); **Joeangel Casanova**, North Charleston, SC (US); **Courtney Salisbury**, Mount Pleasant, SC (US); **Brianna Magagnoli**, North Charleston, SC (US)

(73) Assignee: **The Urban Electric Company**, North Charleston, SC (US)

(**) Term: **15 Years**

(21) Appl. No.: **29/600,608**

(22) Filed: **Apr. 13, 2017**

(51) **LOC (11) Cl.** **26-03**

(52) **U.S. Cl.**
USPC **D26/88; D26/90**

(58) **Field of Classification Search**
USPC D26/72, 84, 85, 87, 88, 92, 107, 118, D26/129, 132, 134, 136
CPC F21S 8/03; F21S 8/031; F21S 8/04; F21S 8/06; F21S 8/061; F21S 8/063; F21S 8/065

See application file for complete search history.

(56) **References Cited**

U.S. PATENT DOCUMENTS

D39,143 S * 2/1908 Ryan et al. D26/88
D47,677 S * 8/1915 Woodhead D26/88

D56,844 S * 1/1921 Adam D26/88
D56,846 S * 1/1921 Adam D26/88
D57,419 S * 3/1921 Adam D26/88
D57,420 S * 3/1921 Adam D26/88
D61,077 S * 6/1922 Adam D26/88
D62,204 S * 4/1923 Haas D26/88
1,453,443 A * 5/1923 Cochran F21S 8/06
362/294
D67,817 S * 7/1925 Urban D26/88
1,644,452 A * 10/1927 Spencer F21S 8/04
362/408
D74,151 S * 12/1927 Maerz D26/84
D75,602 S * 6/1928 Arthur D26/132
3,973,116 A * 8/1976 Leonard F21S 8/06
174/117 A
D496,124 S * 9/2004 Parres D26/85
D754,909 S * 4/2016 Toft Hansen D26/88
D805,237 S * 12/2017 Amato D26/88

* cited by examiner

Primary Examiner — Clare E Heflin

(74) *Attorney, Agent, or Firm* — Jeffrey T. Stover;
Haynsworth Sinkler Boyd, P.A.

(57) **CLAIM**

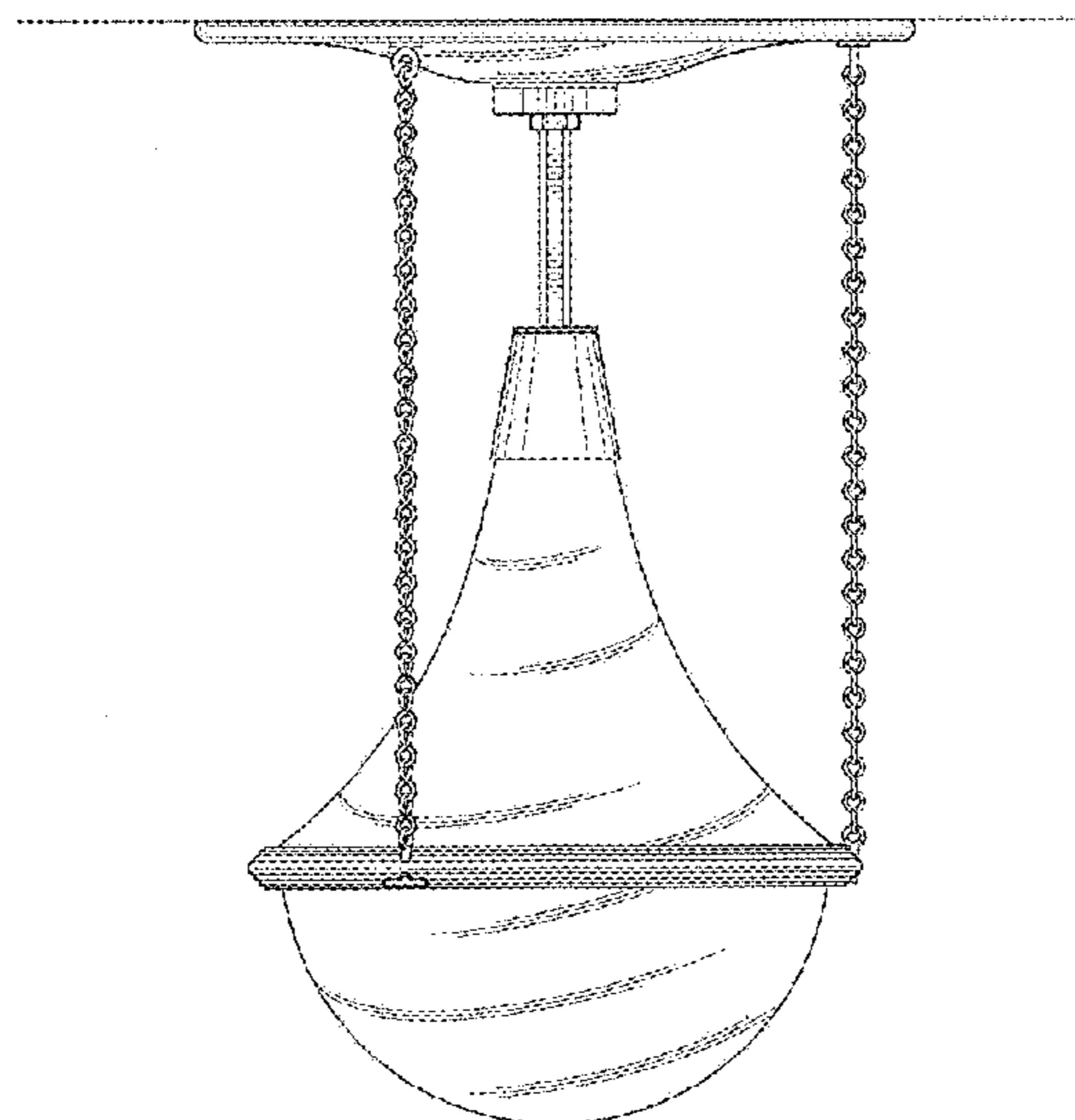
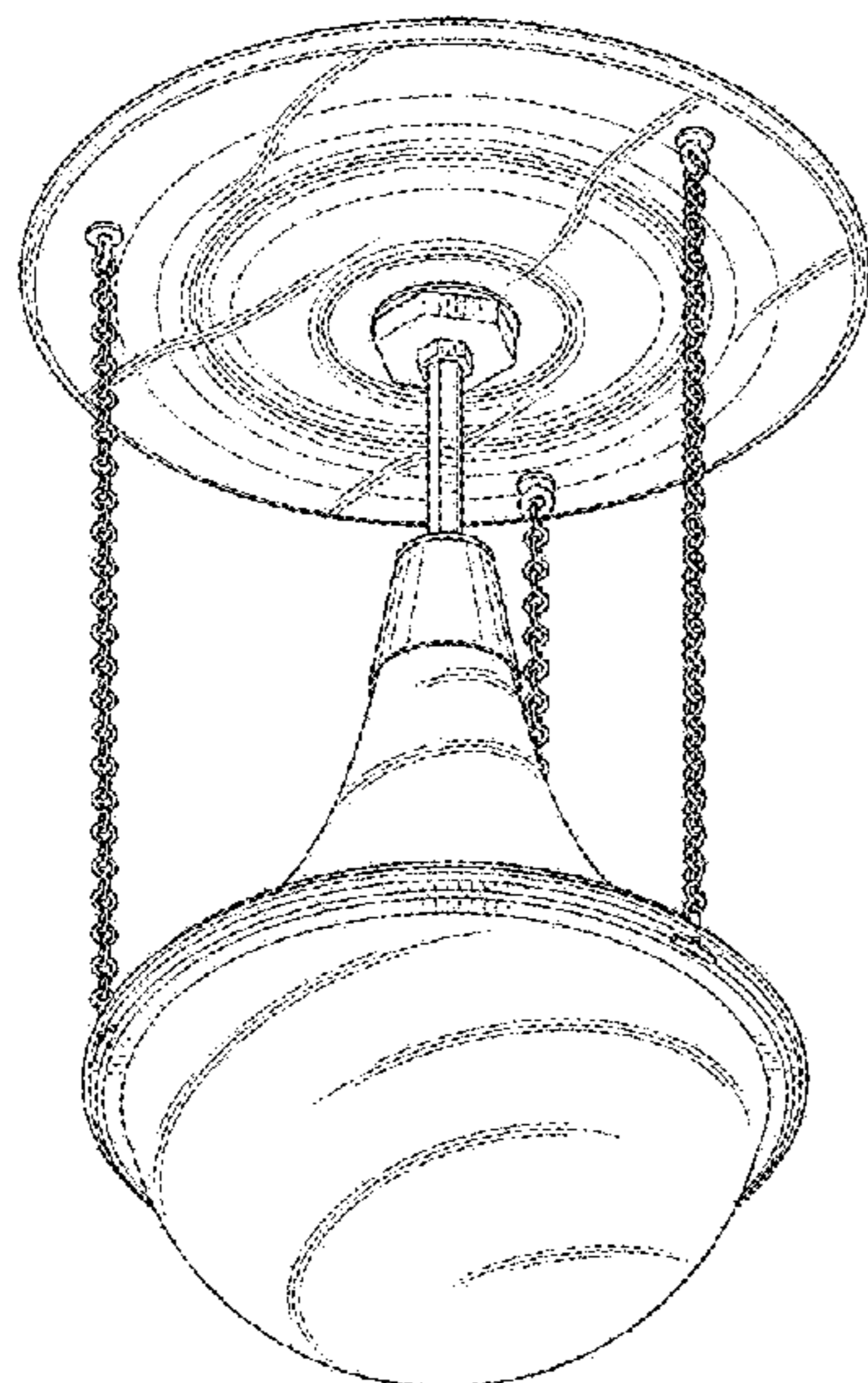
The ornamental design for a lighting fixture, as shown and described.

DESCRIPTION

FIG. 1 is a top perspective view of a new lighting fixture; FIG. 2 is a bottom perspective view thereof; FIG. 3 is a front elevational view thereof; FIG. 4 is a back elevational view thereof; FIG. 5 is a left elevational view thereof; FIG. 6 is a right elevational view thereof; and, FIG. 7 is a bottom plan view thereof.

The broken line disclosure in the views represents environmental structure which forms no part of the claimed design.

1 Claim, 7 Drawing Sheets



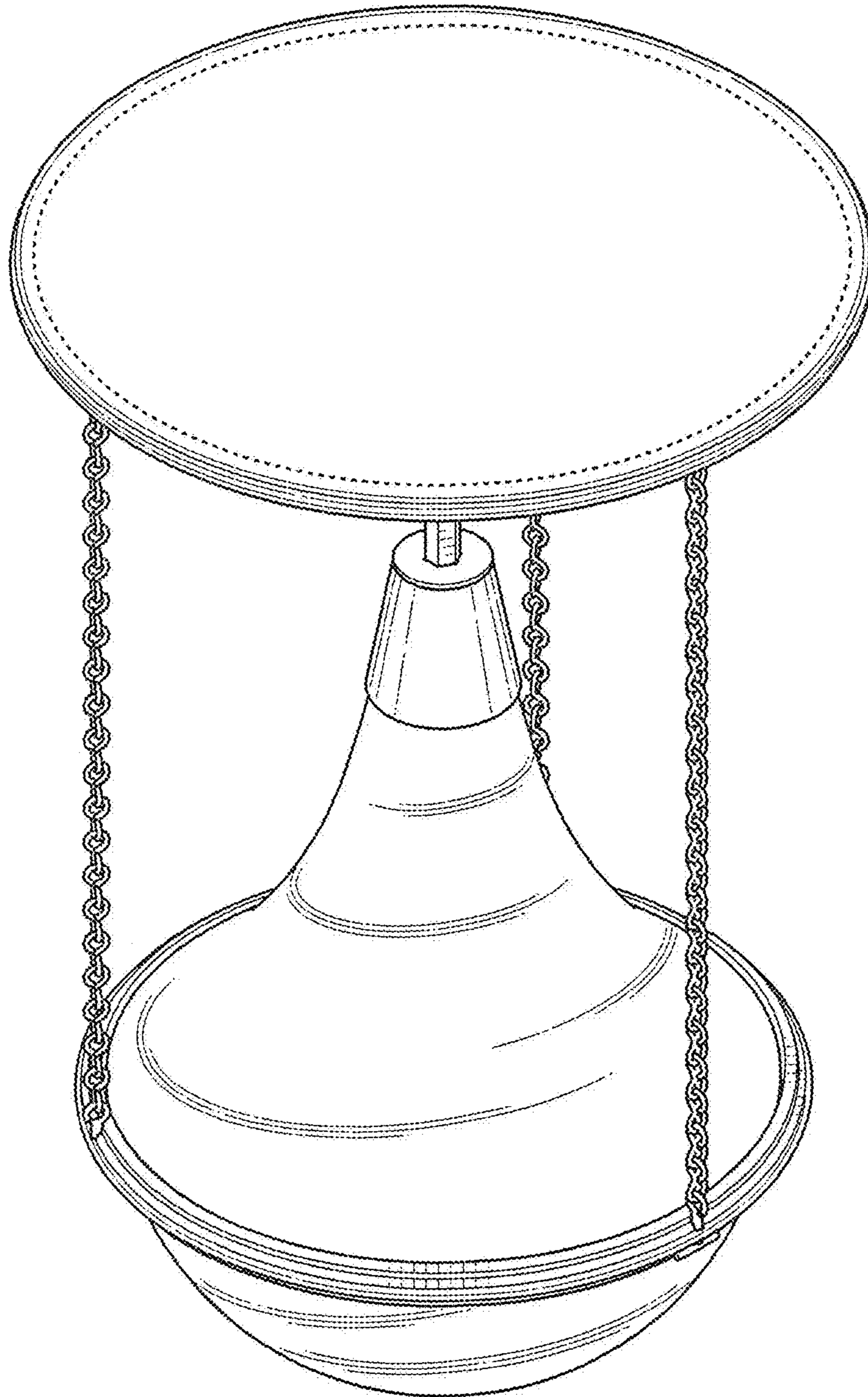


FIG. 1

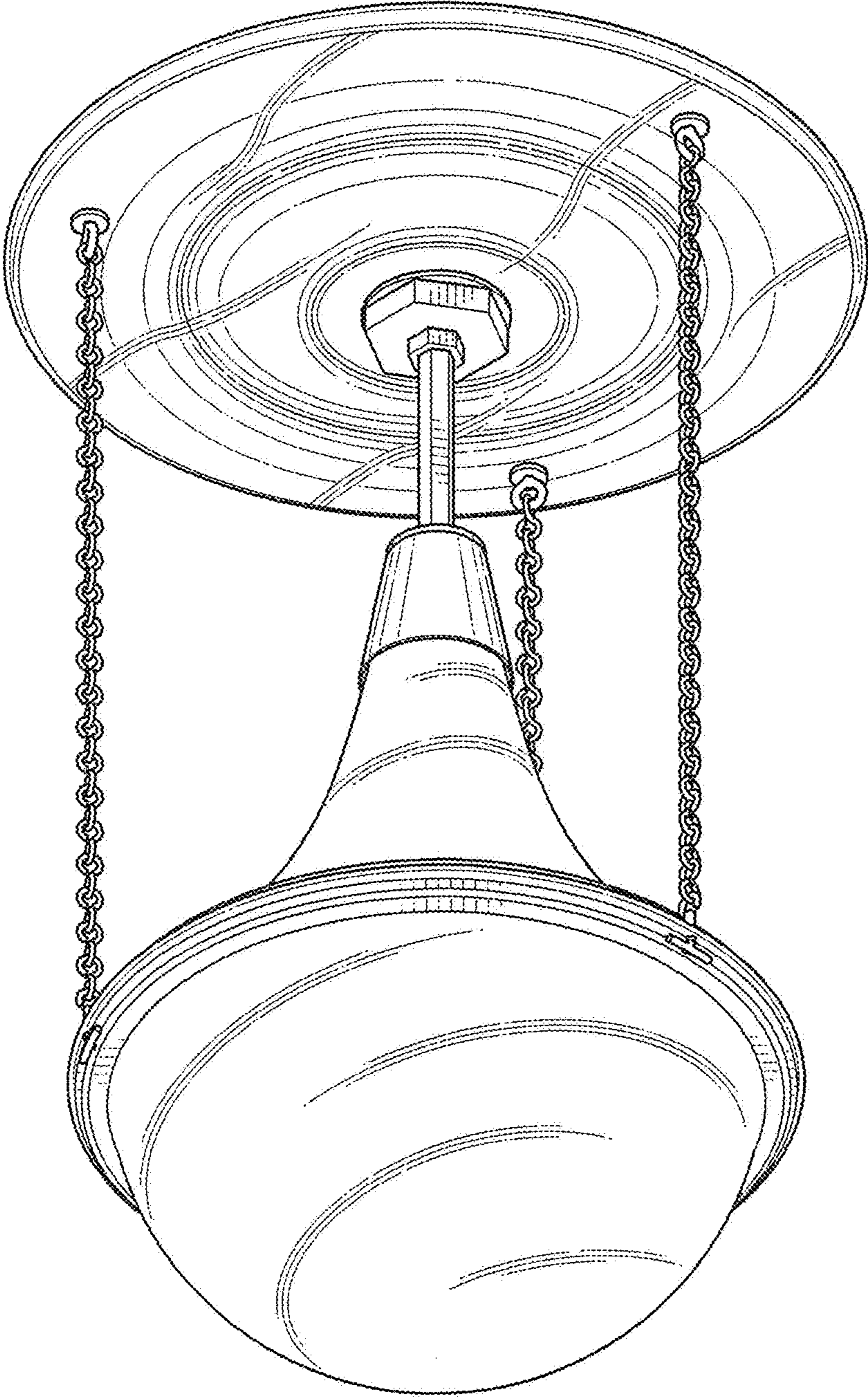


FIG. 2

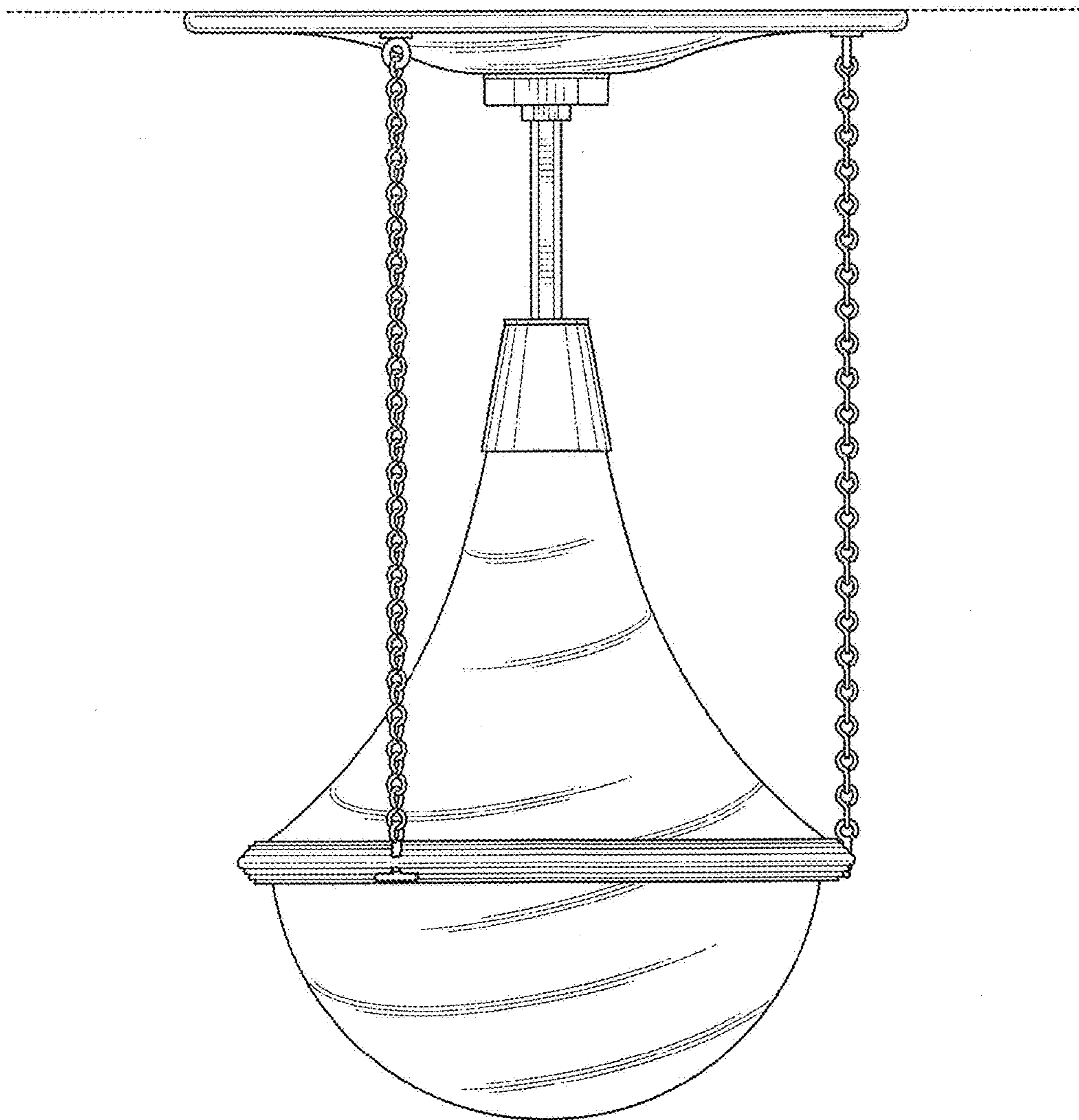


FIG. 3

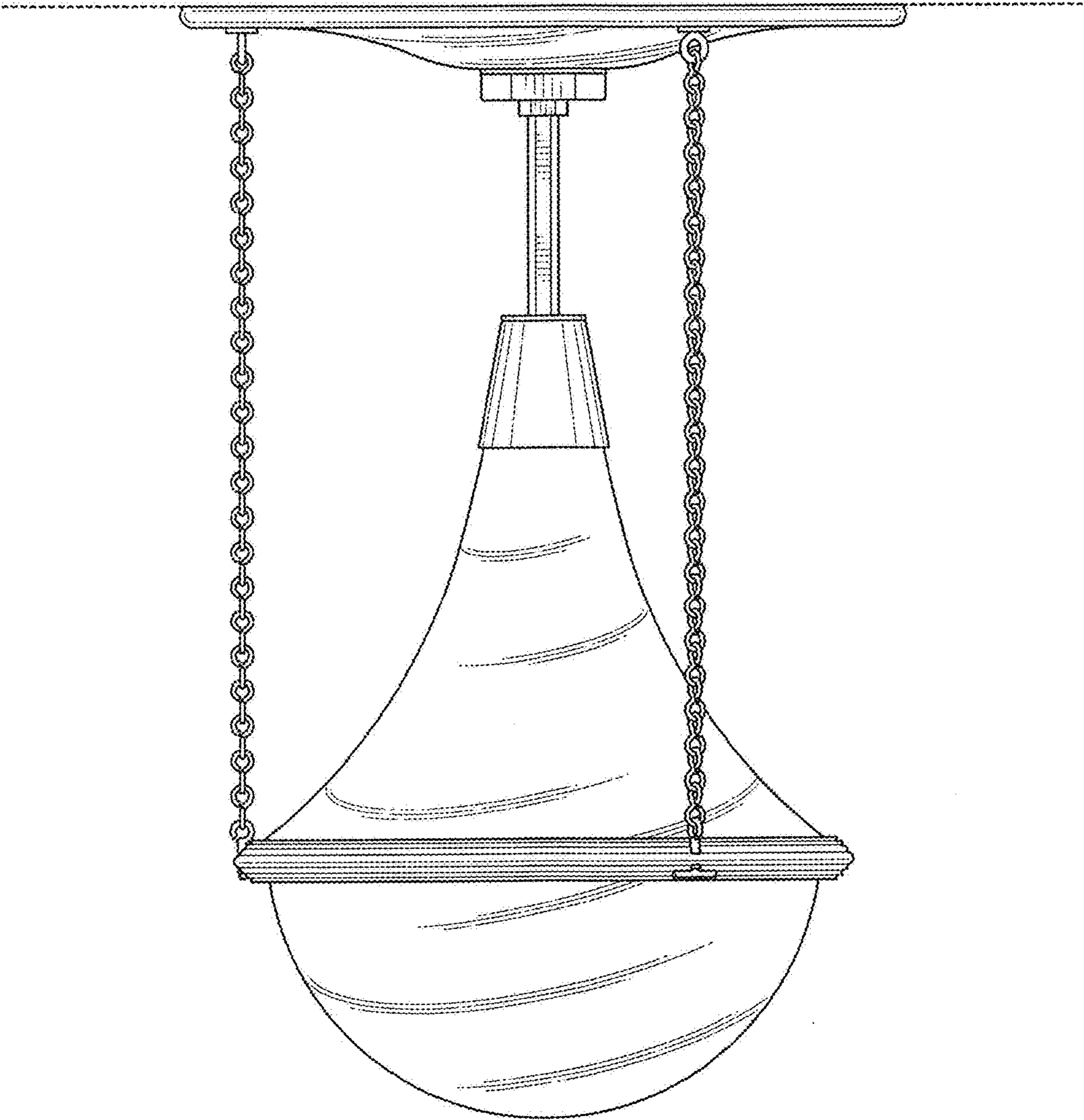


FIG. 4

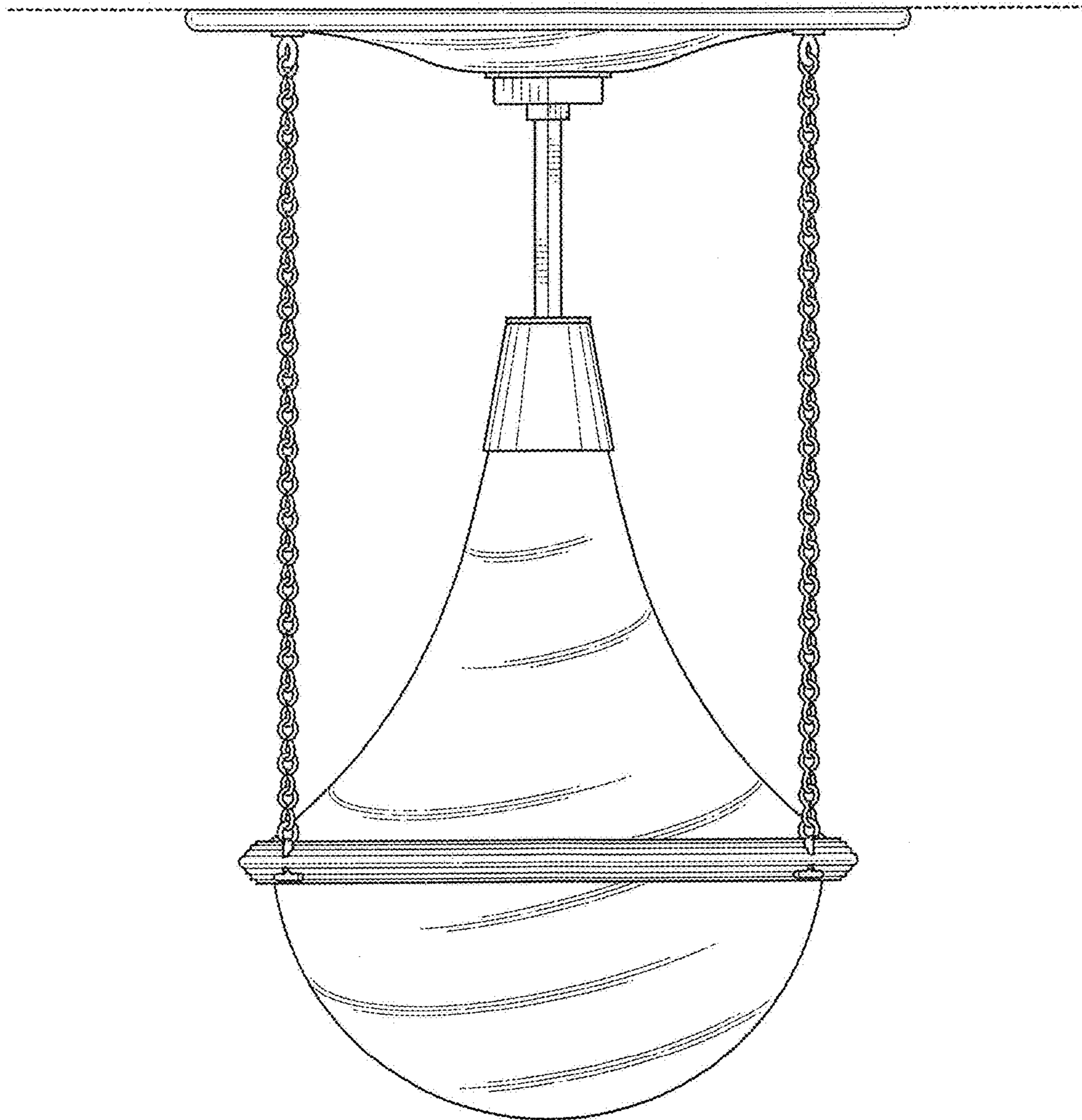


FIG. 5

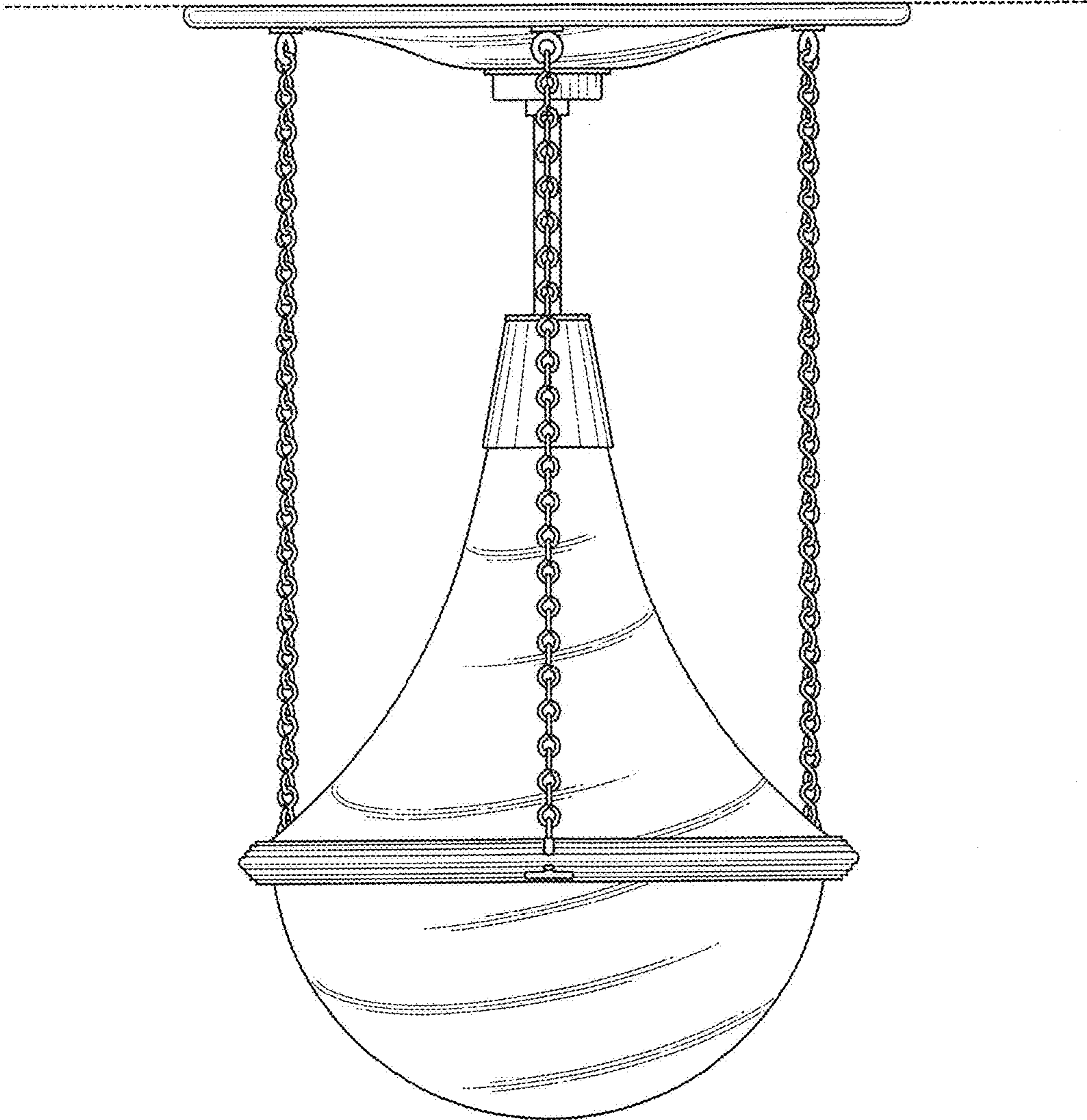


FIG. 6

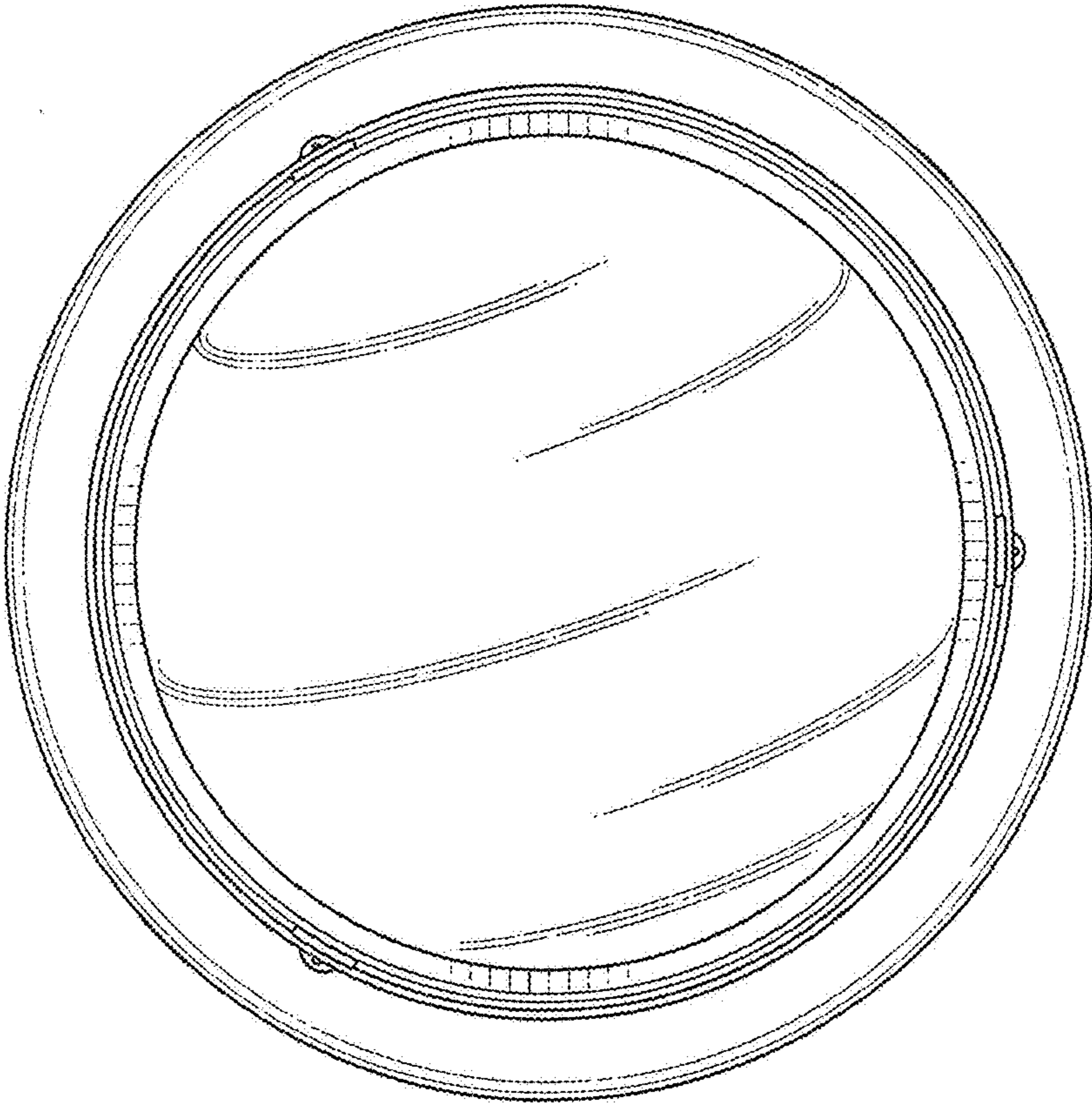


FIG. 7