



US00D819868S

(12) **United States Design Patent**
Qiao

(10) **Patent No.:** **US D819,868 S**

(45) **Date of Patent:** **** Jun. 5, 2018**

(54) **LAMP**

(71) Applicant: **Jianghui Qiao**, Hebei (CN)

(72) Inventor: **Jianghui Qiao**, Hebei (CN)

(**) Term: **15 Years**

(21) Appl. No.: **29/597,441**

(22) Filed: **Mar. 17, 2017**

(51) **LOC (11) Cl.** **26-05**

(52) **U.S. Cl.**
USPC **D26/87**

(58) **Field of Classification Search**
USPC D26/72, 80-89, 92, 61, 62, 63, 64, 66,
D26/93, 102, 65
CPC .. F21S 8/033; F21S 8/036; F21S 8/038; F21S
8/066; F21S 9/037; F21S 4/20; F21S
4/28; F21S 8/04; F21S 8/043; F21S
8/046; F21W 2121/004; F21W 2131/107;
F21V 7/0083

See application file for complete search history.

(56) **References Cited**

U.S. PATENT DOCUMENTS

D446,877 S * 8/2001 Lester D26/72
D563,013 S * 2/2008 Levine D26/63

D581,569 S * 11/2008 Levine D26/61
D581,571 S * 11/2008 Levine D26/63
D585,578 S * 1/2009 Levine D26/61
D620,634 S * 7/2010 Komar D26/93
D621,083 S * 8/2010 Coushaine D26/61
D715,974 S * 10/2014 Tunze D26/24
2009/0190348 A1 * 7/2009 Lin F21S 6/003
362/235
2017/0336039 A1 * 11/2017 Pikman F21S 8/02

* cited by examiner

Primary Examiner — Cathron C Brooks

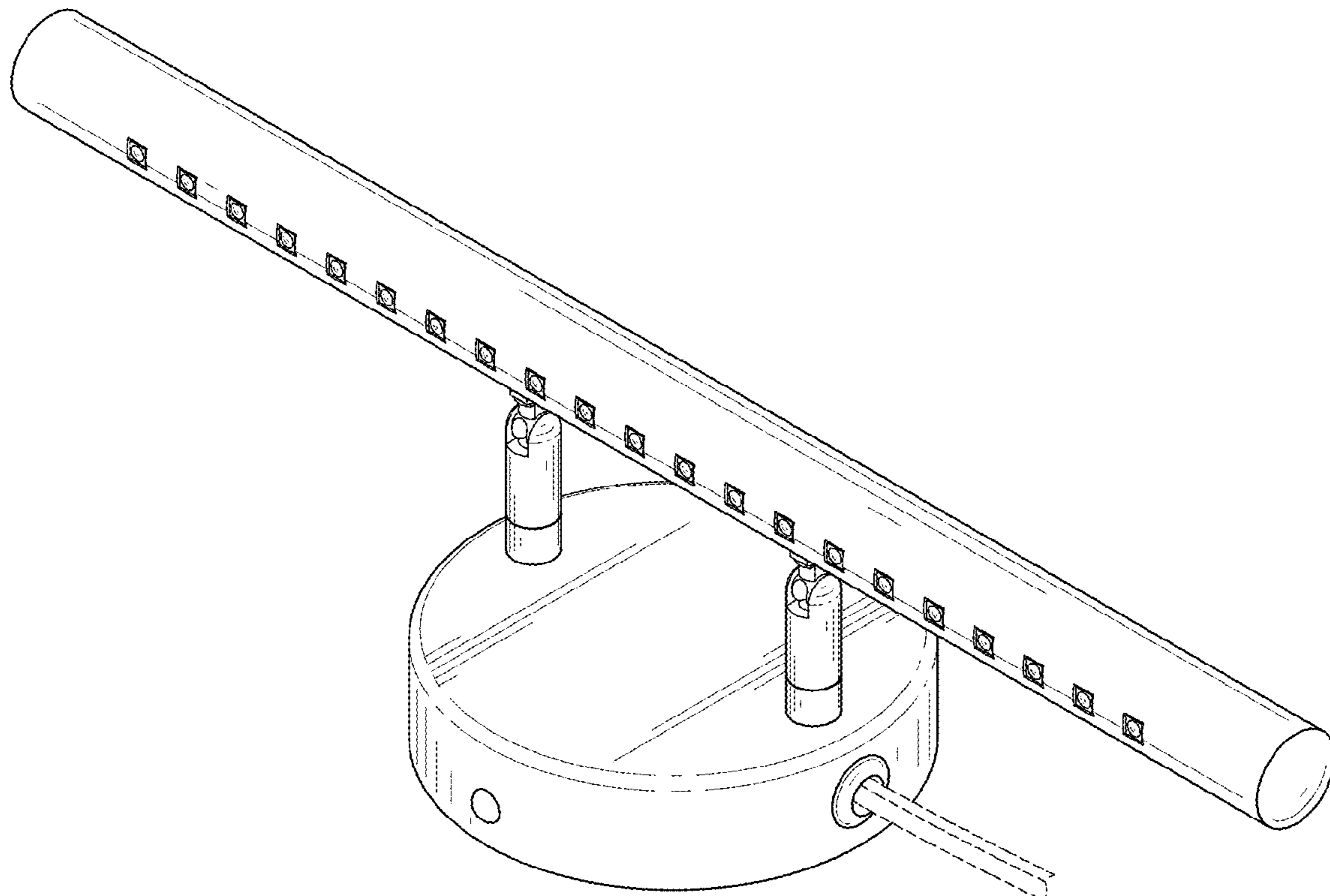
(57) **CLAIM**

The ornamental design for a lamp, as shown and described.

DESCRIPTION

FIG. 1 is a first perspective view of a lamp showing my new design;
FIG. 2 is a second perspective view thereof;
FIG. 3 is a front elevational view thereof;
FIG. 4 is a rear elevational view thereof;
FIG. 5 is a left side view thereof;
FIG. 6 is a right side view thereof;
FIG. 7 is a top plan view thereof;
FIG. 8 is a bottom plan view thereof; and,
FIG. 9 is a perspective view showing the lamp in a use state.
The broken lines in the drawings illustrate portions of the lamp which form no part of the claimed design.

1 Claim, 9 Drawing Sheets



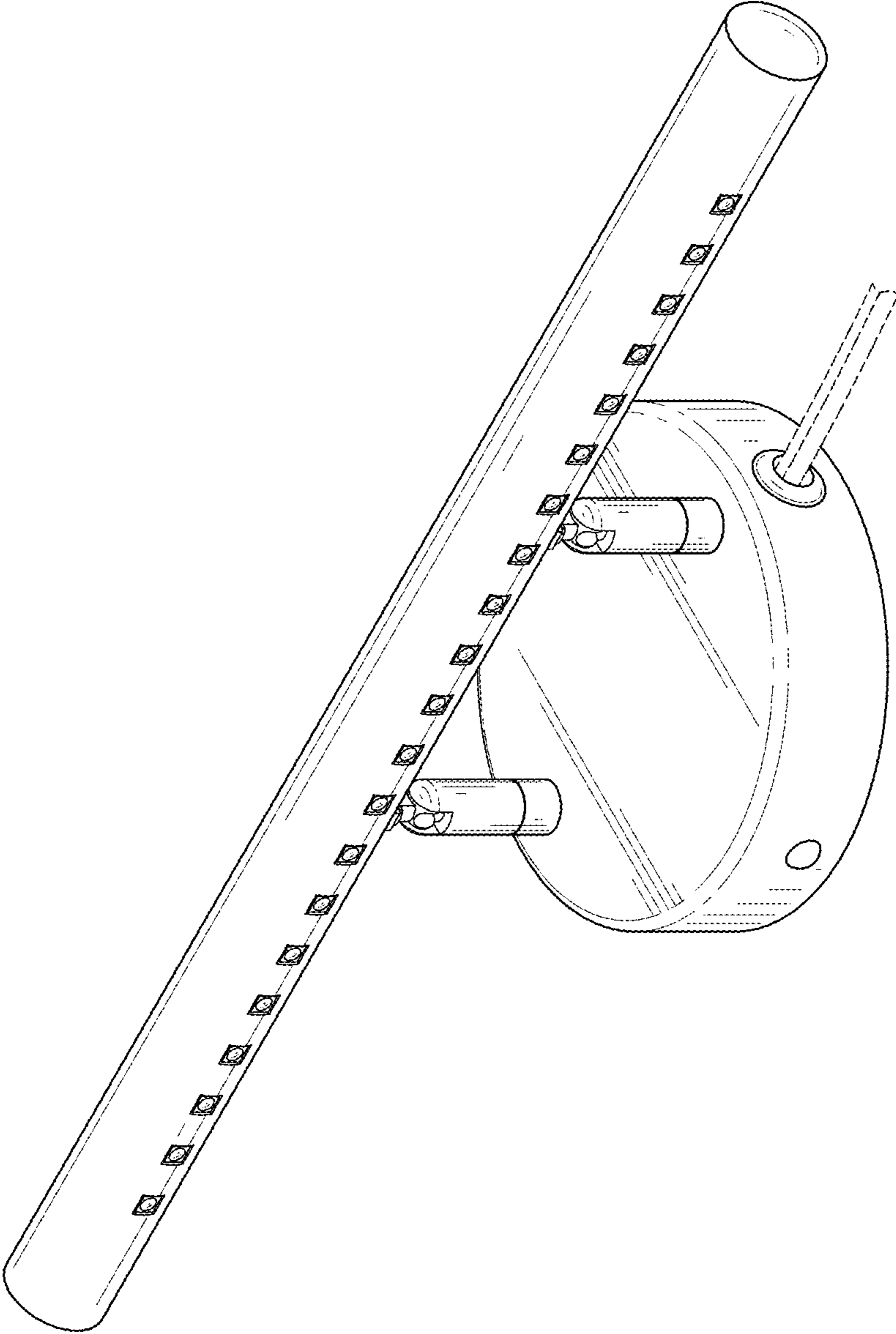


FIG. 1

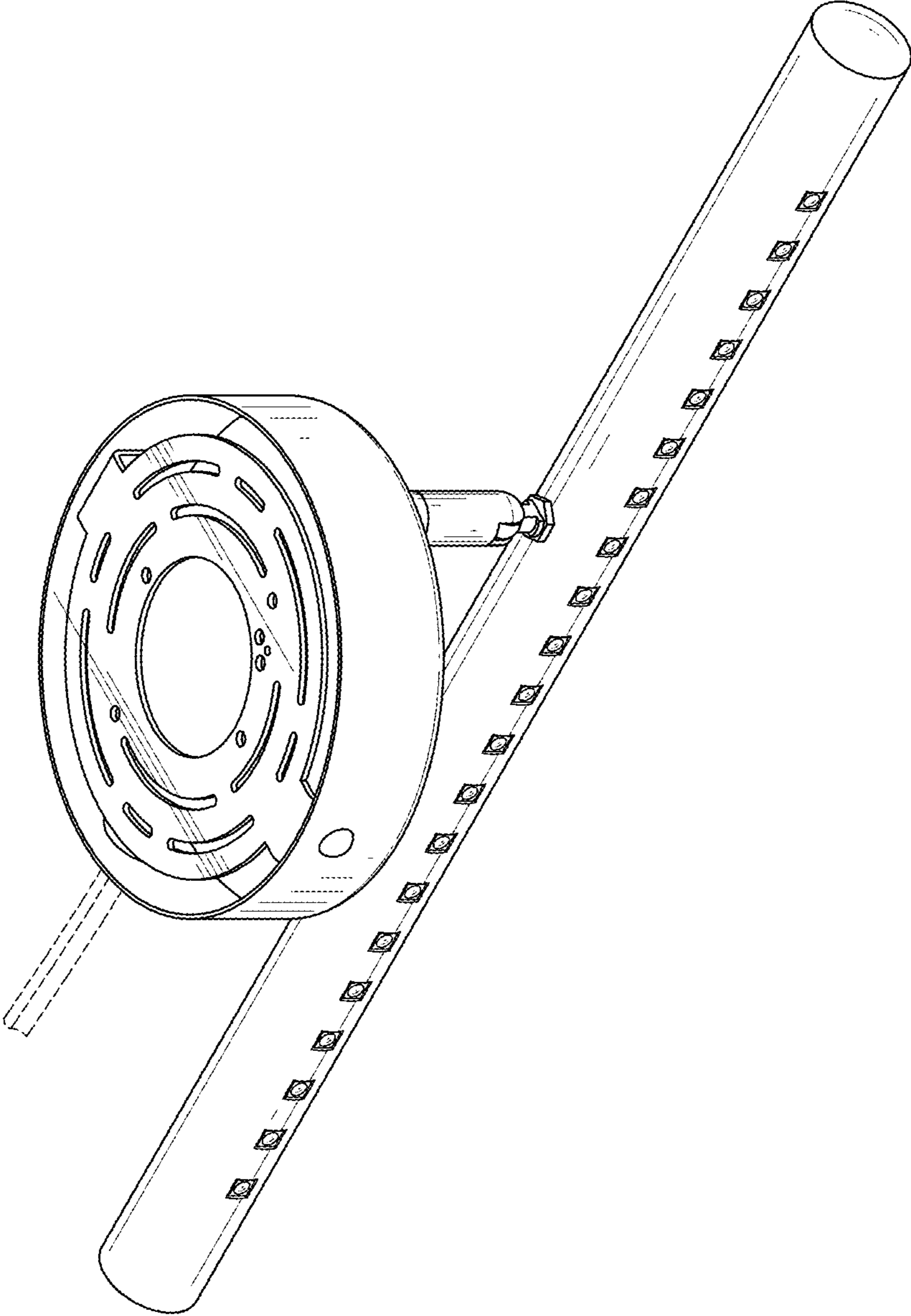


FIG. 2

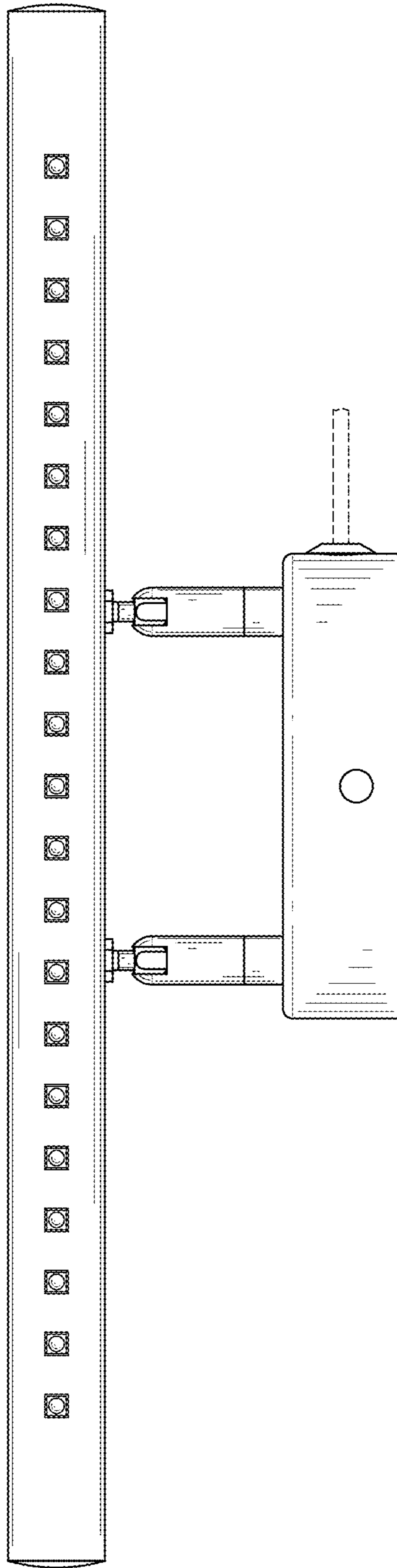


FIG. 3

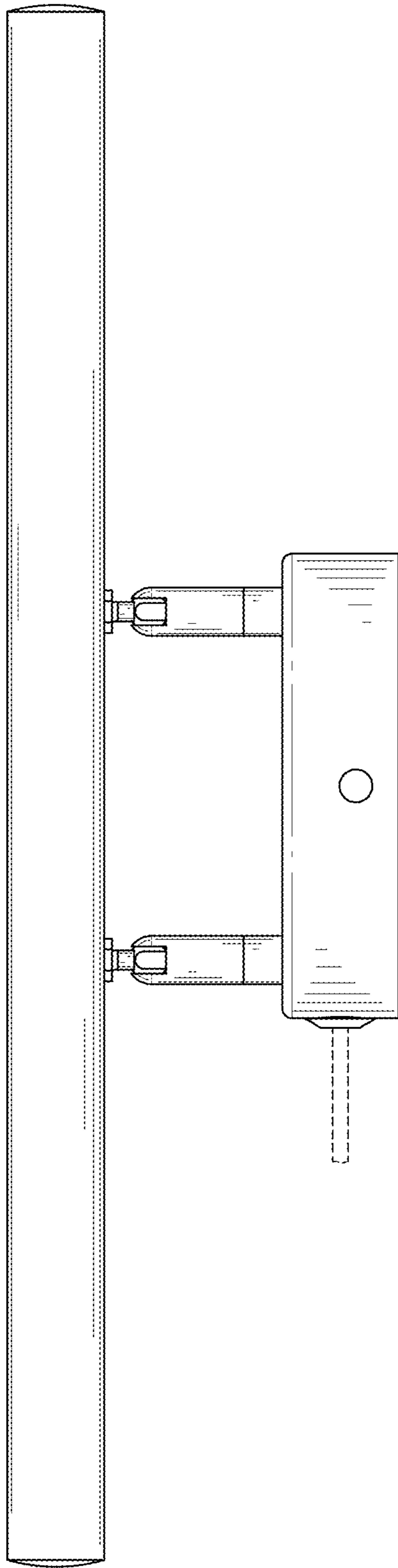


FIG. 4

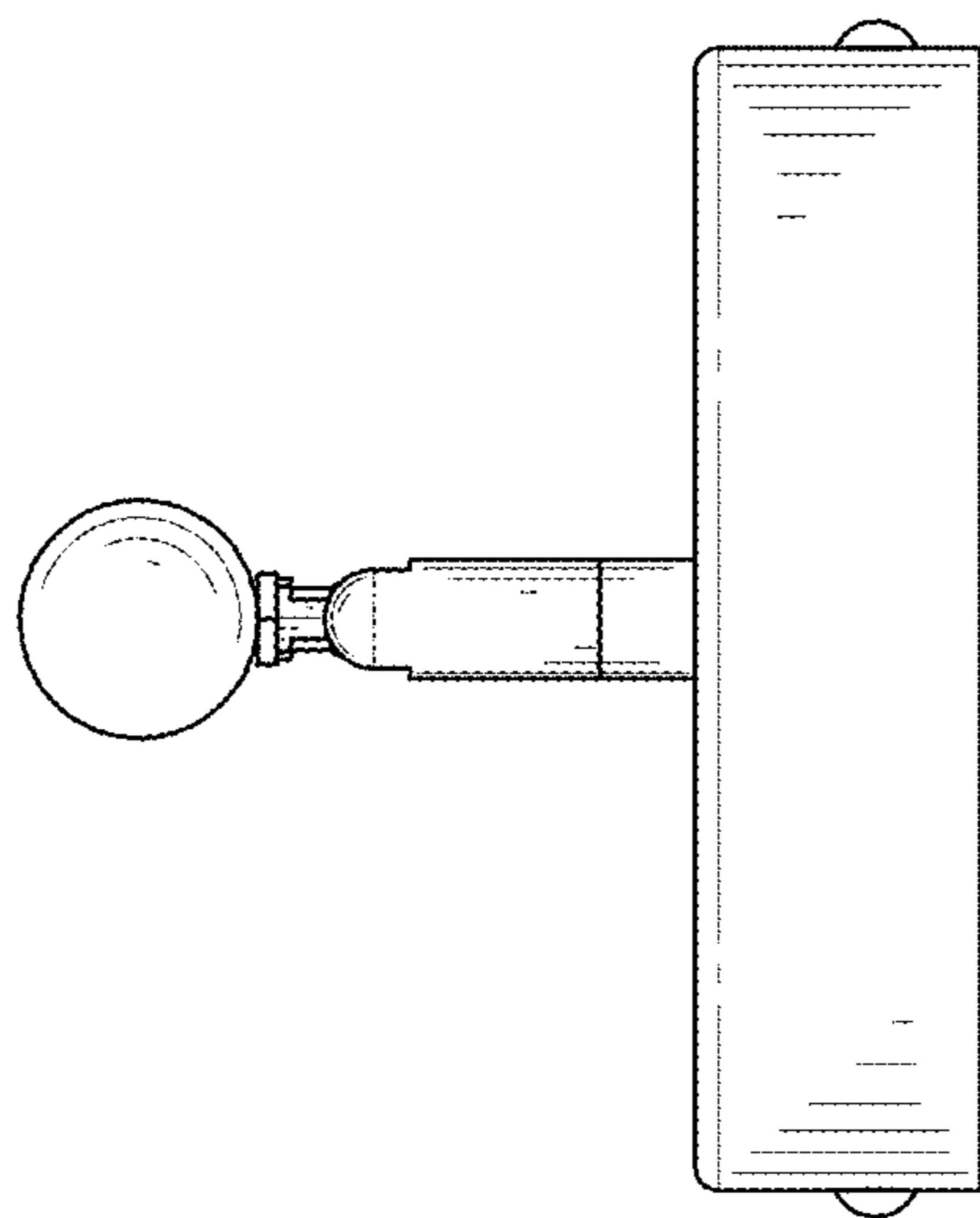


FIG. 5

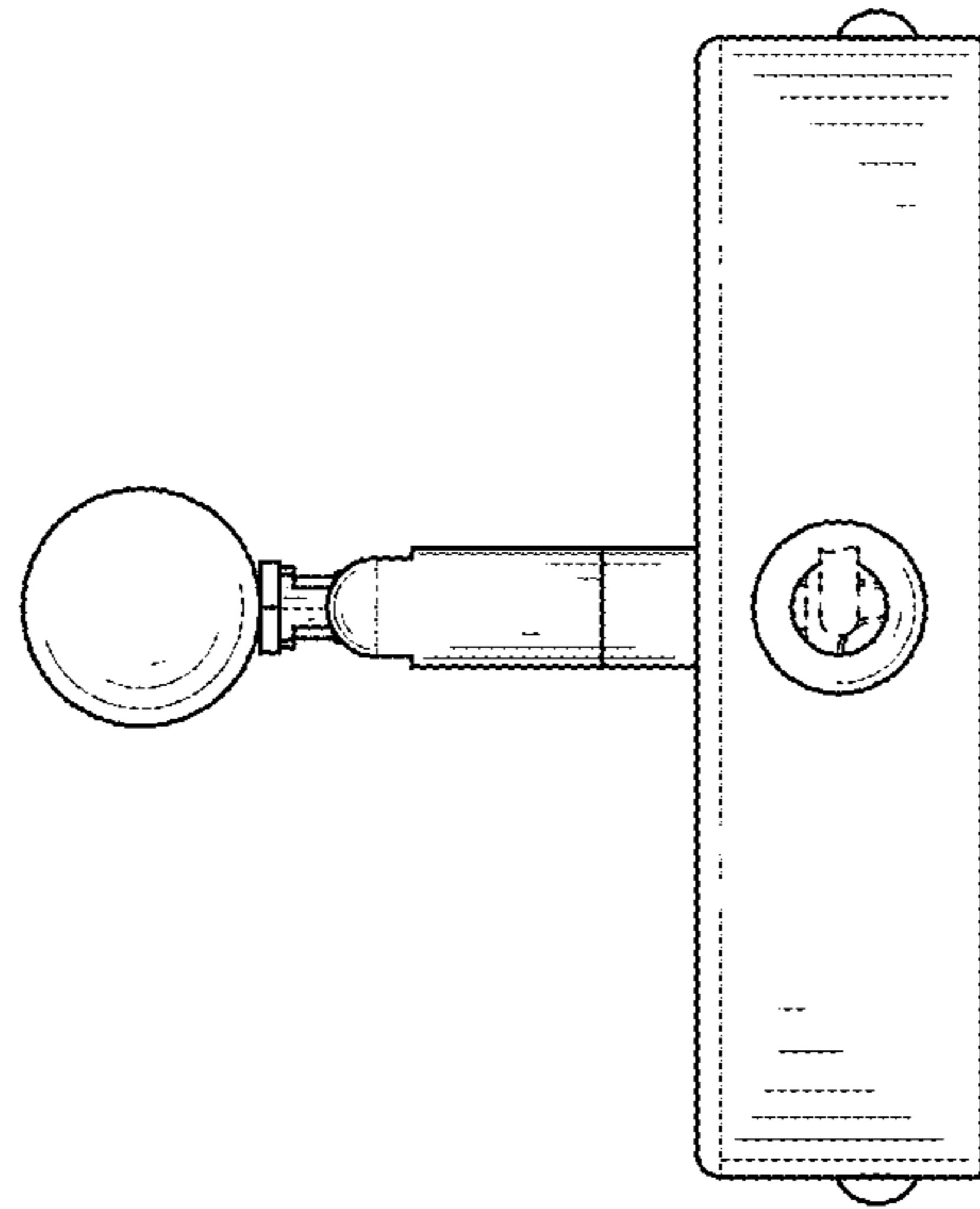


FIG. 6

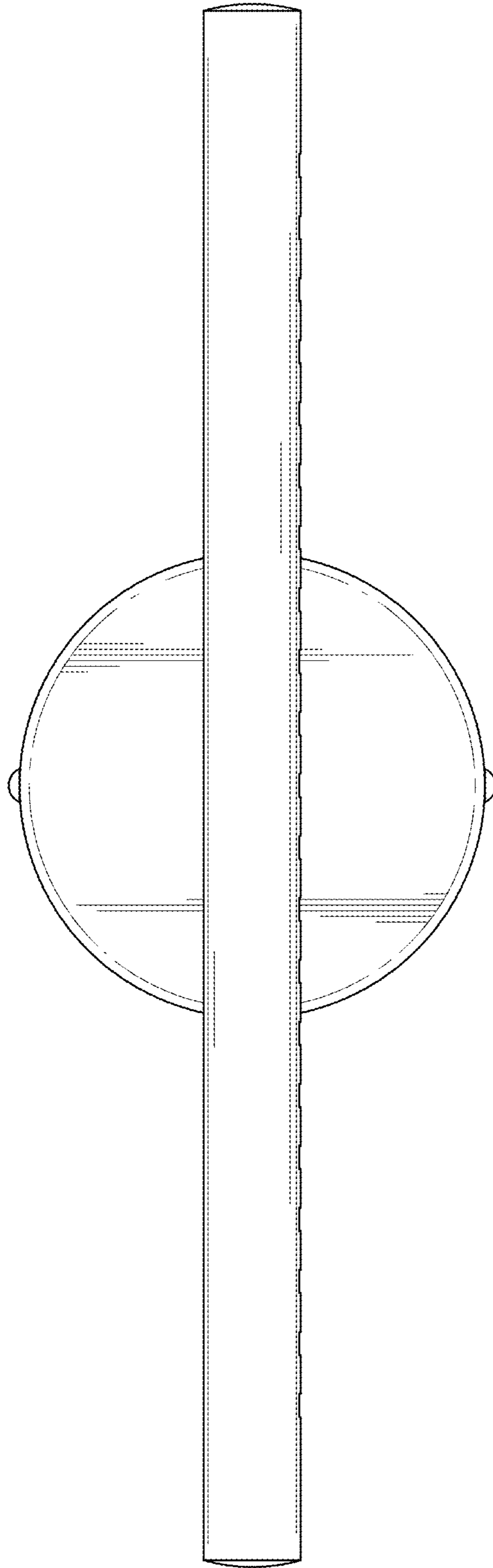


FIG. 7

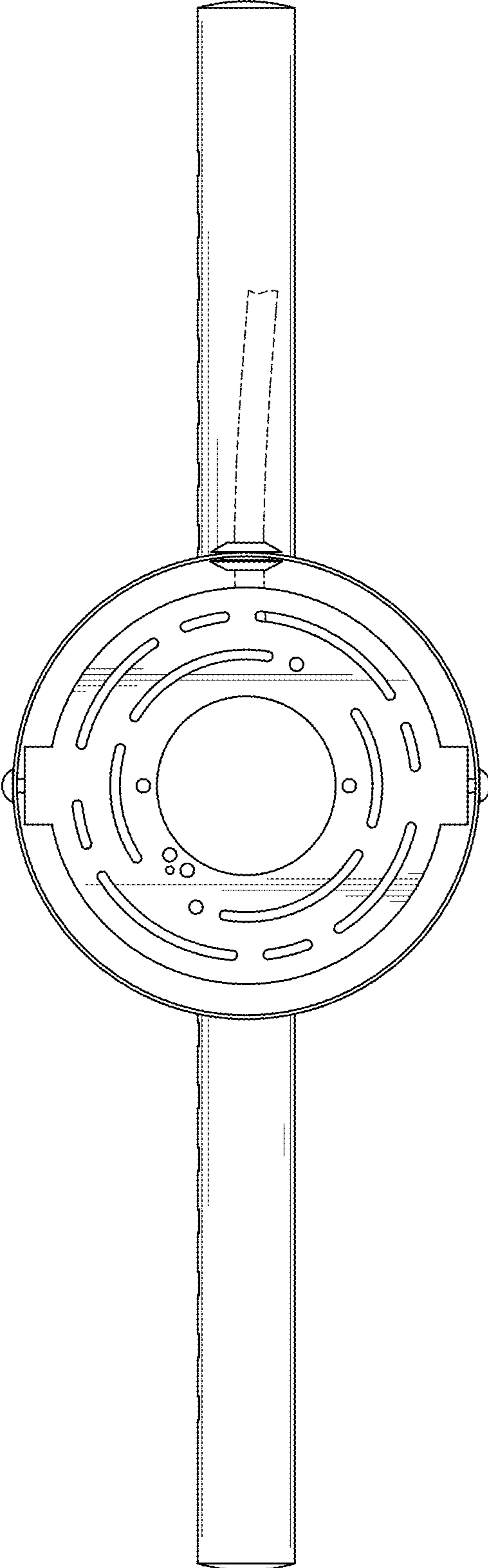


FIG. 8

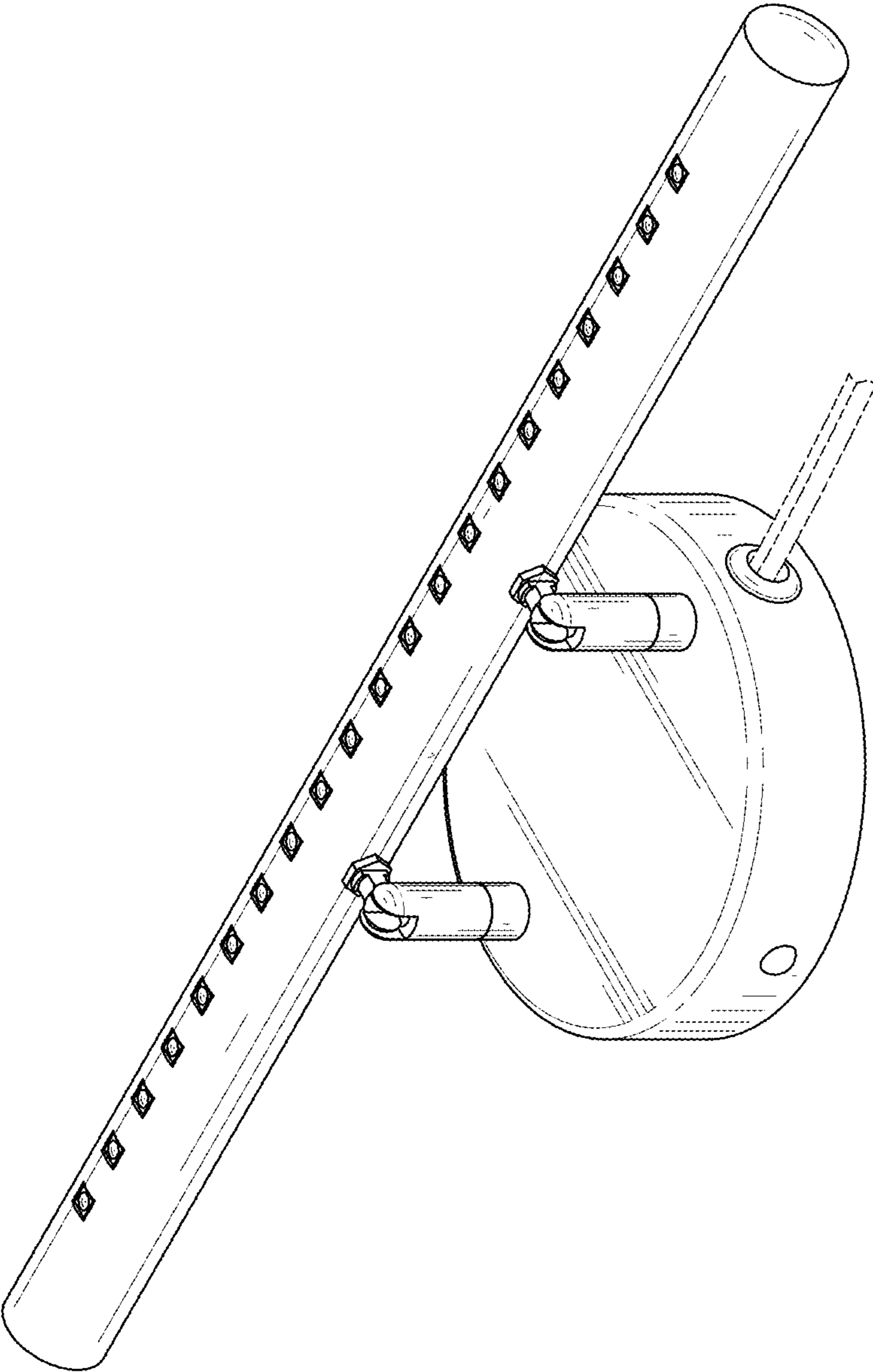


FIG. 9