



US00D819867S

(12) **United States Design Patent**  
**Hendifar et al.**

(10) **Patent No.:** **US D819,867 S**

(45) **Date of Patent:** **\*\* Jun. 5, 2018**

(54) **LIGHT FIXTURE**

(71) Applicant: **APPARATUS, LLC**, New York, NY  
(US)

(72) Inventors: **Gabriel Hendifar**, Rhinebeck, NY  
(US); **Jeremy R. Anderson**, Rhinebeck,  
NY (US)

(73) Assignee: **APPARATUS LLC**, New York, NY  
(US)

(\*\*) Term: **15 Years**

(21) Appl. No.: **29/598,336**

(22) Filed: **Mar. 24, 2017**

(51) **LOC (11) Cl.** ..... **26-03**

(52) **U.S. Cl.**  
USPC ..... **D26/84**

(58) **Field of Classification Search**  
USPC ..... D26/72, 80-88, 90, 143, 144, 152,  
D26/153, 155  
CPC ..... F21S 8/04; F21S 8/06; F21S 8/061; F21S  
8/063; F21S 8/065  
See application file for complete search history.

(56) **References Cited**

**U.S. PATENT DOCUMENTS**

D80,794 S *	3/1930	Kramer	.....	D26/90
D90,017 S *	5/1933	Bush	.....	D26/84
D317,058 S *	5/1991	Sonneman	.....	D26/92
D320,465 S *	10/1991	Sonneman	.....	D26/86
9,175,835 B2 *	11/2015	Machiorlette	.....	F21V 21/008
D761,991 S *	7/2016	Clark	.....	F21V 1/22
				D26/73
D773,101 S *	11/2016	Sonneman	.....	D26/88

D773,714 S *	12/2016	Sonneman	.....	D26/84
D789,590 S *	6/2017	Sonneman	.....	D26/145
D794,863 S *	8/2017	Sonneman	.....	D26/87
D800,369 S *	10/2017	Sonneman	.....	D26/84
9,777,899 B2 *	10/2017	Sonneman	.....	F21S 8/065
9,879,845 B2 *	1/2018	Sonneman	.....	F21V 21/35

**OTHER PUBLICATIONS**

Studio Lantern 3 Pendant by Apparatus. Found at gardeshop.com visited Mar. 28, 2018. (Year: 2018).\*

\* cited by examiner

*Primary Examiner* — Clare E Heflin

(74) *Attorney, Agent, or Firm* — Gottlieb, Rackman & Reisman, P.C.

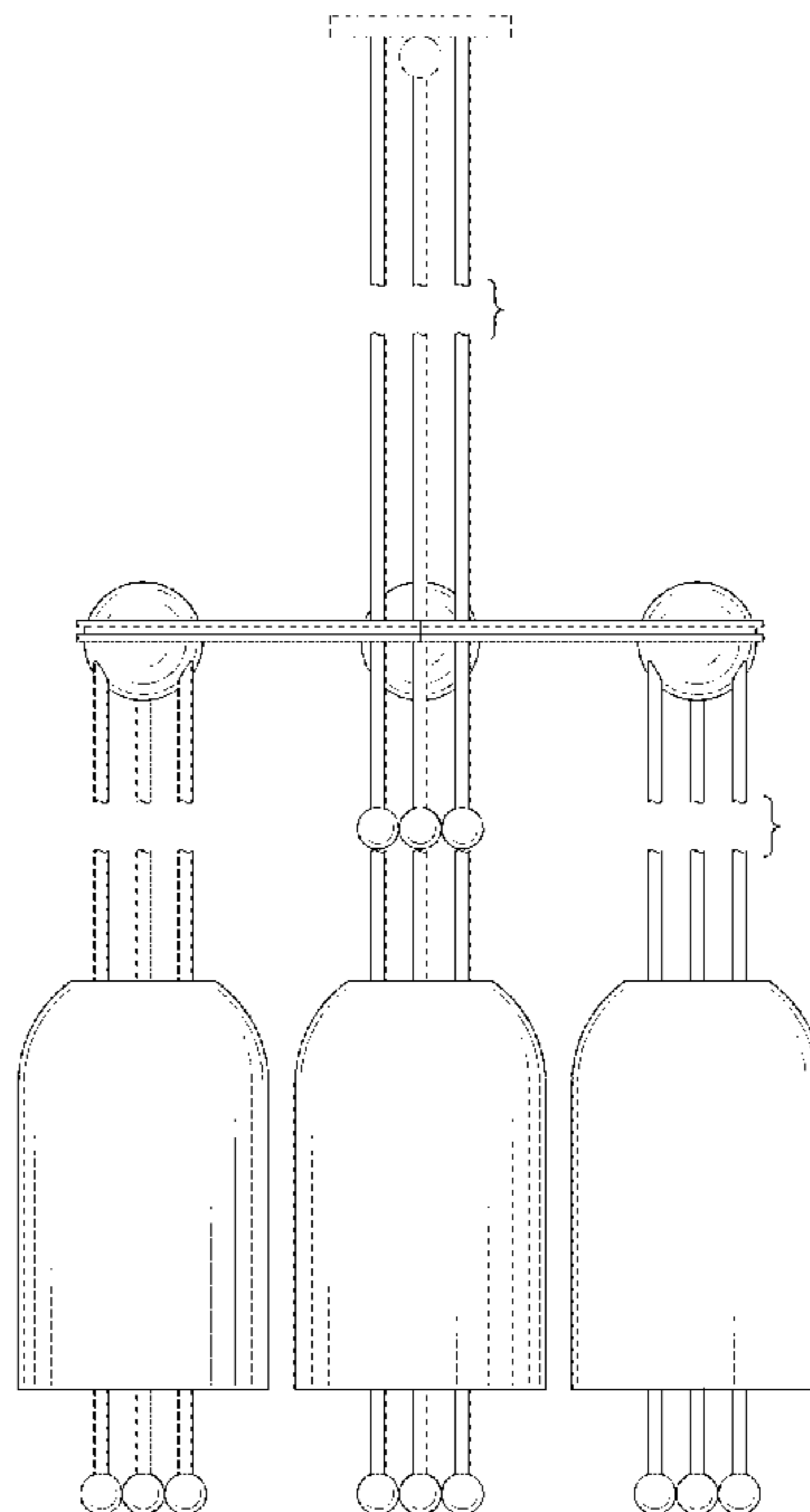
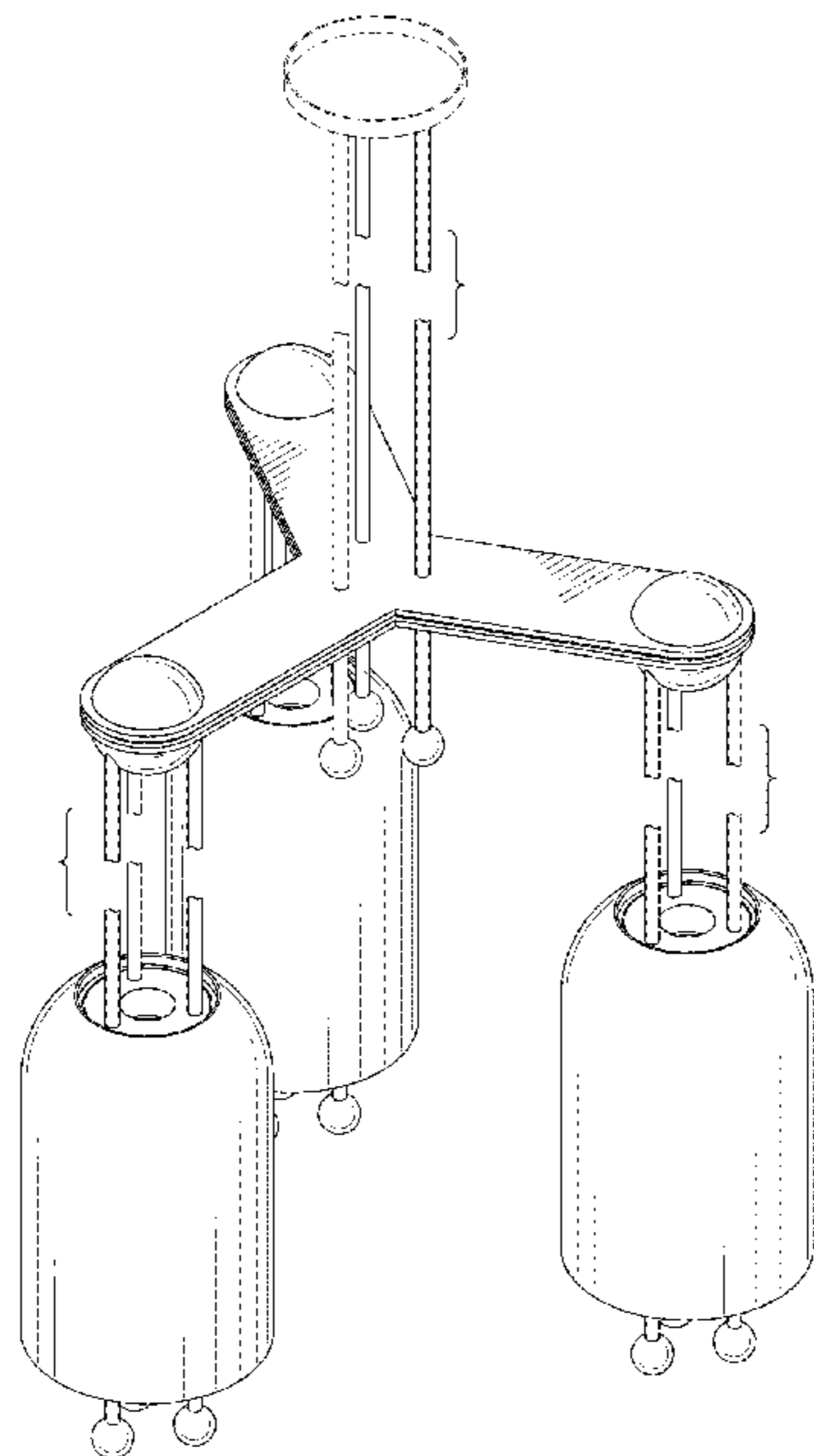
(57) **CLAIM**

The ornamental design for a light fixture, as shown and described.

**DESCRIPTION**

FIG. 1 is a perspective view of the light fixture showing my new design;  
FIG. 2 is a front elevational view thereof;  
FIG. 3 is a rear elevational view thereof;  
FIG. 4 is a right side elevational view thereof; the left side elevational view being a mirror image;  
FIG. 5 is a top plan view thereof; and,  
FIG. 6 is a bottom plan view thereof.  
The break lines shown in the drawings indicate that the appearance of any portion of the article between the break lines forms no part of the claimed design; and the broken lines illustrate portions of the light fixture that form no part of the claimed design.

**1 Claim, 6 Drawing Sheets**



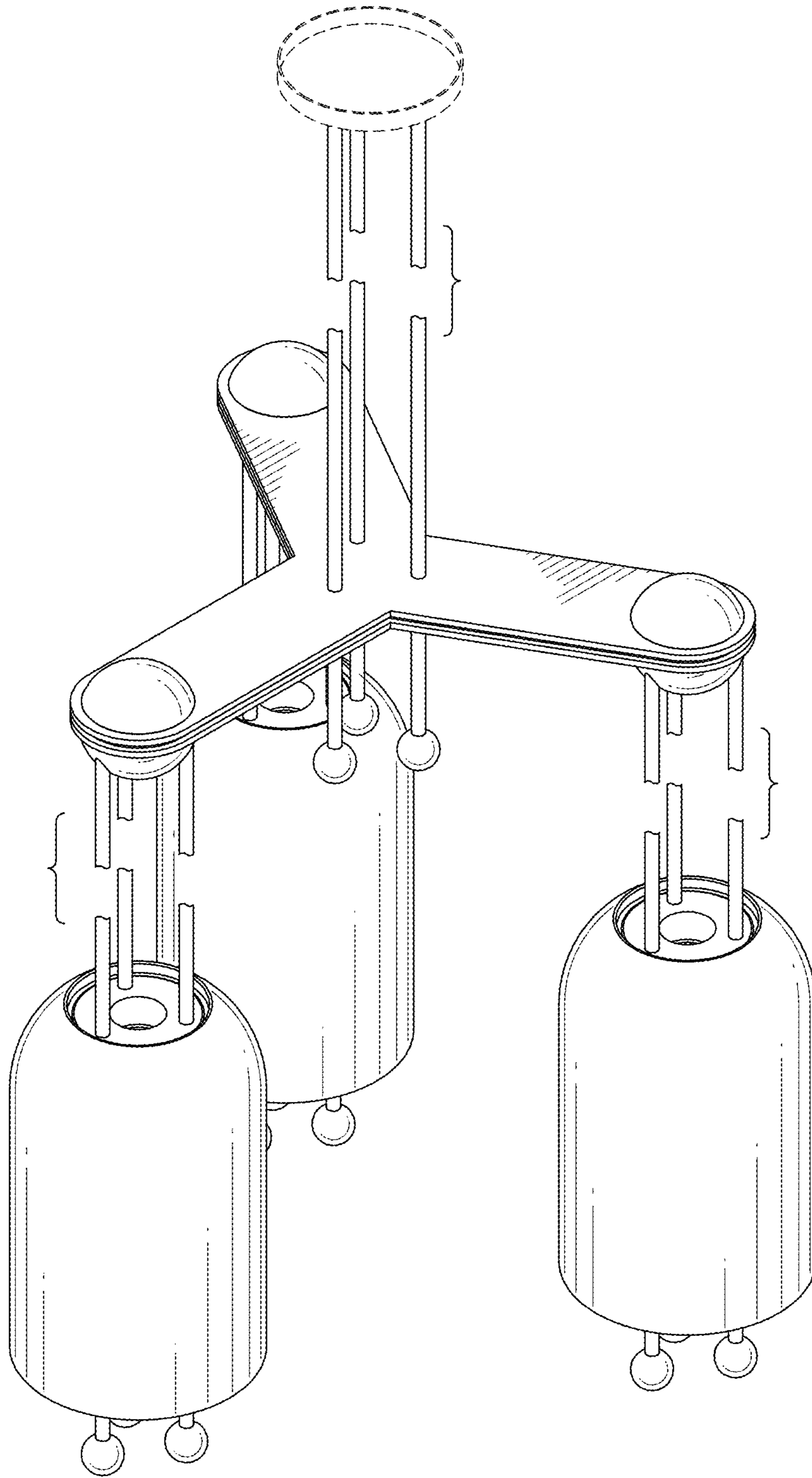


FIG. 1

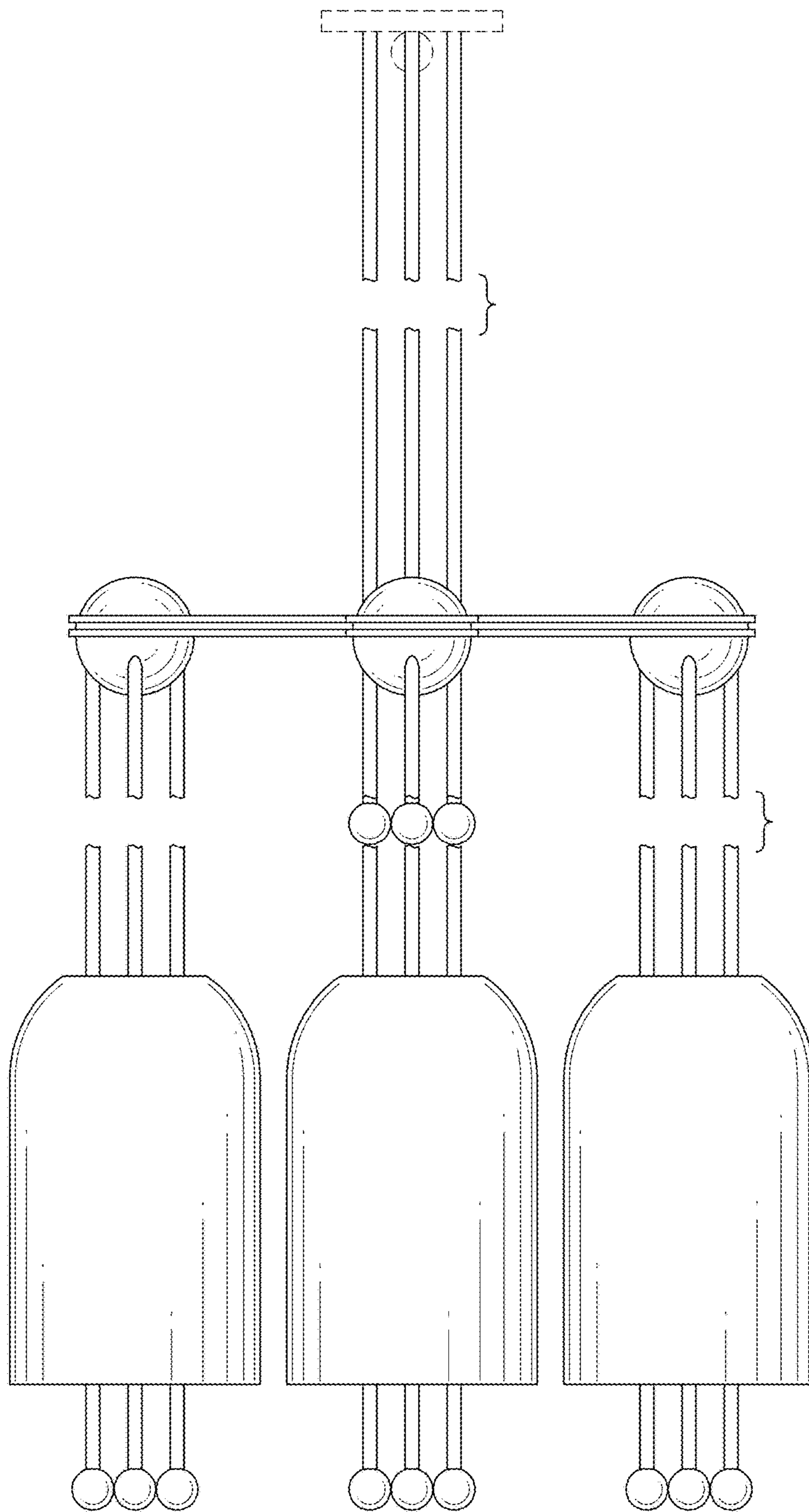


FIG. 2

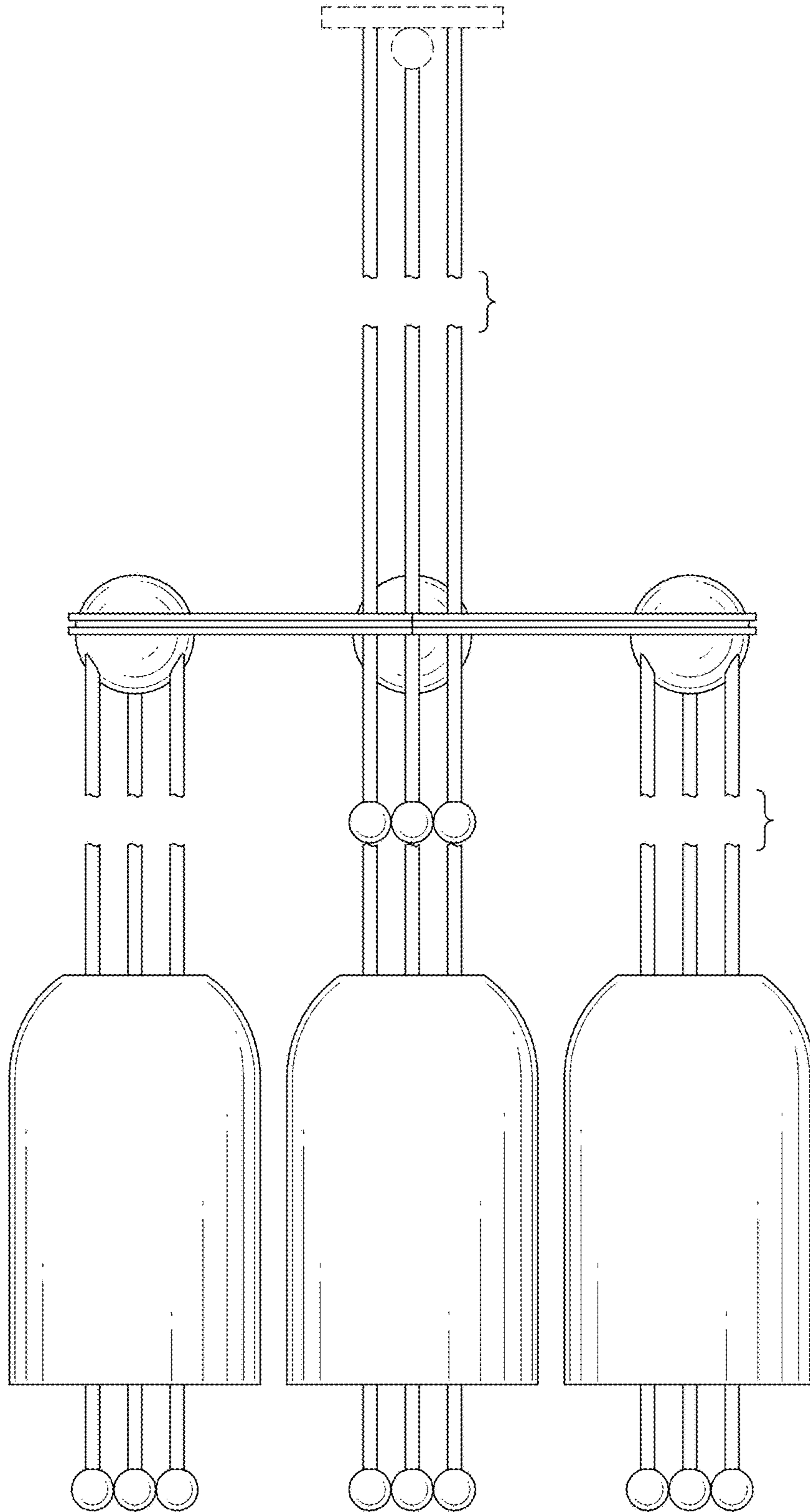


FIG. 3

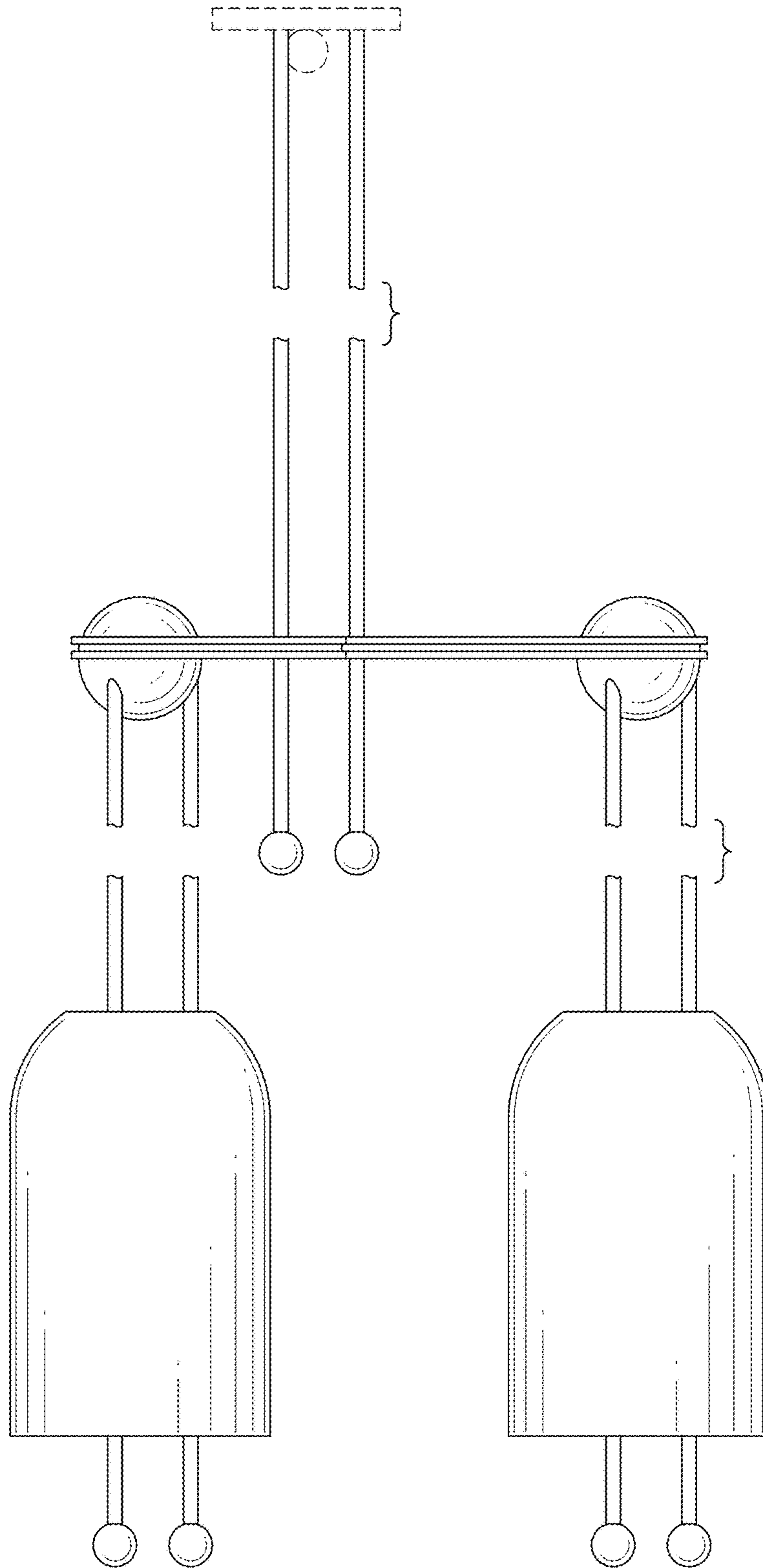


FIG. 4

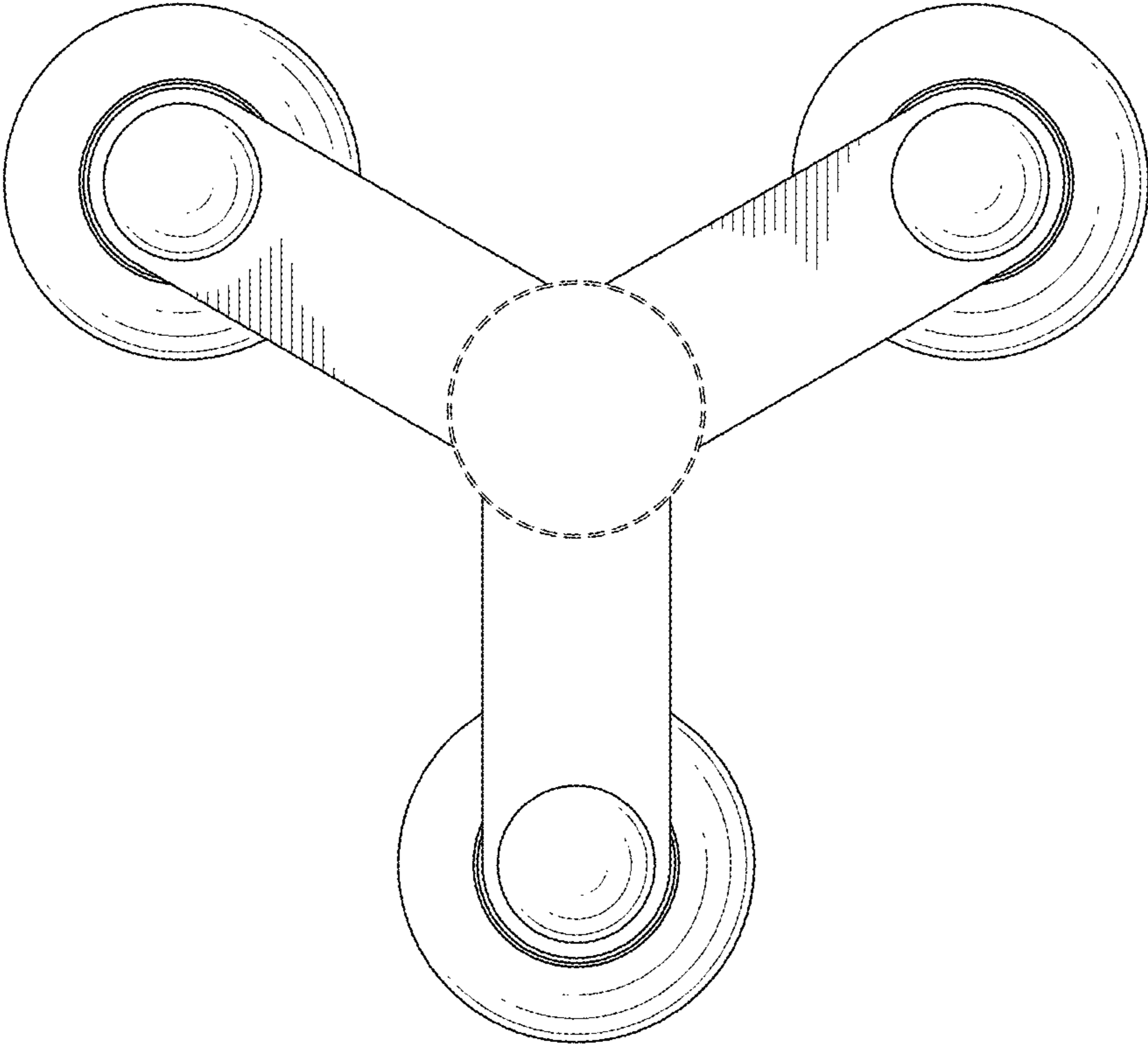


FIG.5

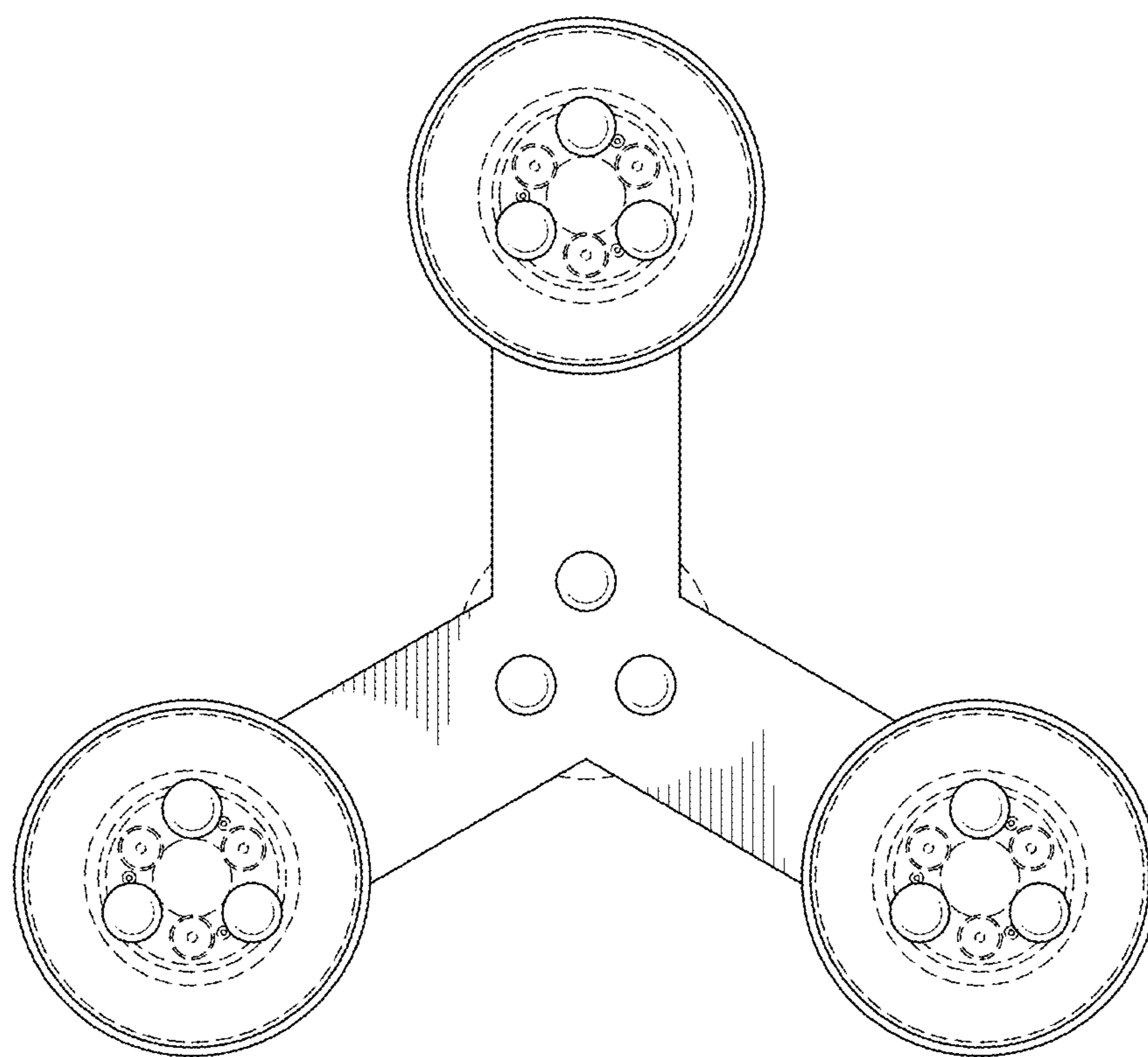


FIG. 6