



US00D819866S

(12) **United States Design Patent**
Amato et al.

(10) **Patent No.:** **US D819,866 S**

(45) **Date of Patent:** **** Jun. 5, 2018**

(54) **LIGHTING FIXTURE**

(71) Applicant: **The Urban Electric Company**, North Charleston, SC (US)

(72) Inventors: **Michael Amato**, Johns Island, SC (US); **David Dawson**, Charleston, SC (US); **Jonathan Charpia**, Summerville, SC (US); **Christopher Roof**, Charleston, SC (US); **Joeangel Casanova**, North Charleston, SC (US); **Courteney Salsbury**, Mount Pleasant, SC (US); **Brianna Magagnoli**, North Charleston, SC (US)

(73) Assignee: **The Urban Electric Company**, North Charleston, SC (US)

(**) Term: **15 Years**

(21) Appl. No.: **29/600,567**

(22) Filed: **Apr. 13, 2017**

(51) **LOC (11) Cl.** **26-03**

(52) **U.S. Cl.**
USPC **D26/81**

(58) **Field of Classification Search**
USPC D26/72, 80-88, 90, 91, 143, 144, 152, D26/153, 155
CPC F21S 8/04; F21S 8/06; F21S 8/061; F21S 8/063; F21S 8/065
See application file for complete search history.

(56) **References Cited**

U.S. PATENT DOCUMENTS

D134,482 S * 12/1942 Ganger D26/81
D167,681 S * 9/1952 Farrington et al. D26/143

D304,768 S *	11/1989	Dicola	D26/84
D418,622 S *	1/2000	Diaz-Azcuy	D26/84
D425,236 S *	5/2000	Porter	D26/86
D441,898 S *	5/2001	Hsu	D26/86
D493,568 S *	7/2004	Parres	D26/143
D619,750 S *	7/2010	Lewis	D26/86
D791,388 S *	7/2017	Sonneman	D26/90
D792,633 S *	7/2017	Sonneman	D26/84
D793,605 S *	8/2017	Cartwright	D26/81
D806,304 S *	12/2017	Amato	D26/81
D806,305 S *	12/2017	Amato	D26/81

* cited by examiner

Primary Examiner — Clare E Heflin

(74) *Attorney, Agent, or Firm* — Jeffrey T. Stover; Haynsworth Sinkler Boyd, P.A.

(57) **CLAIM**

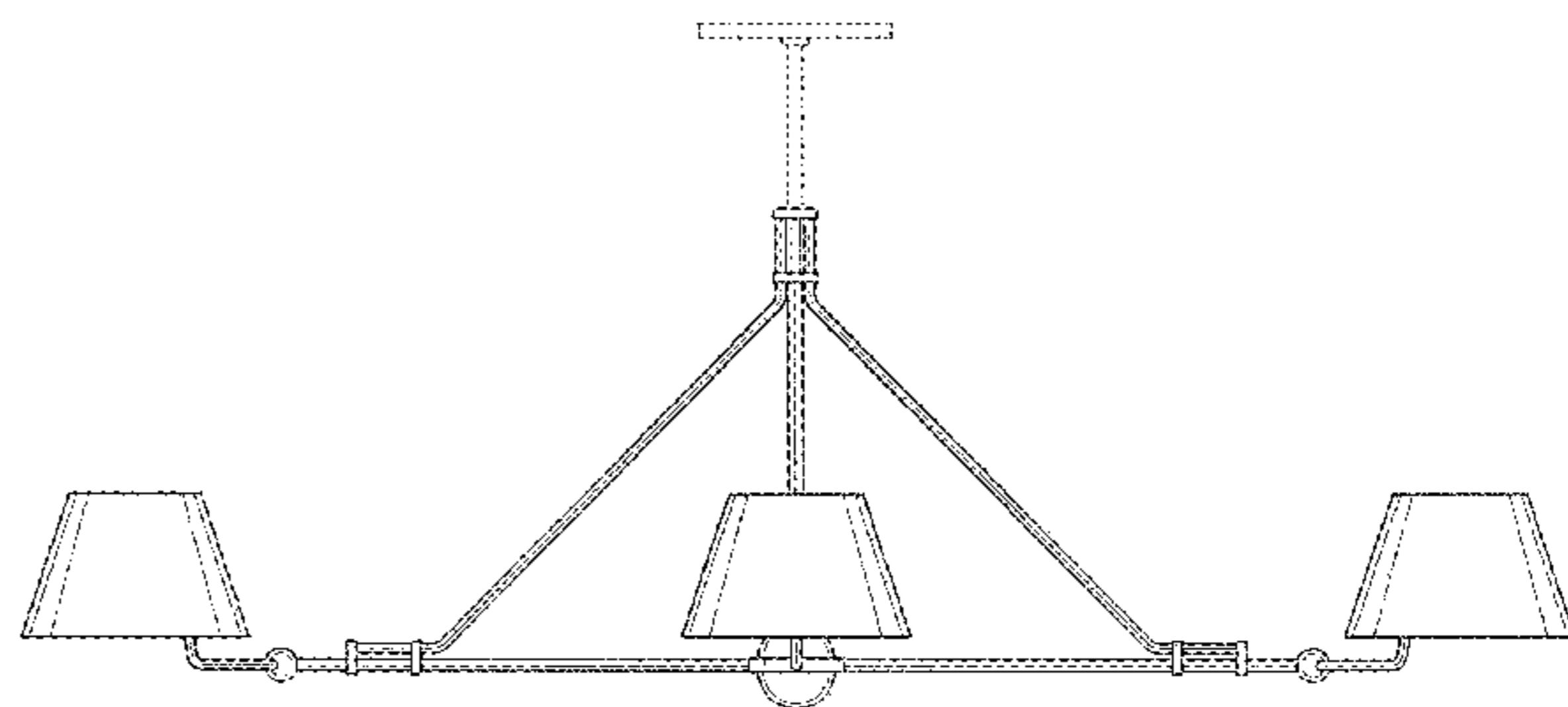
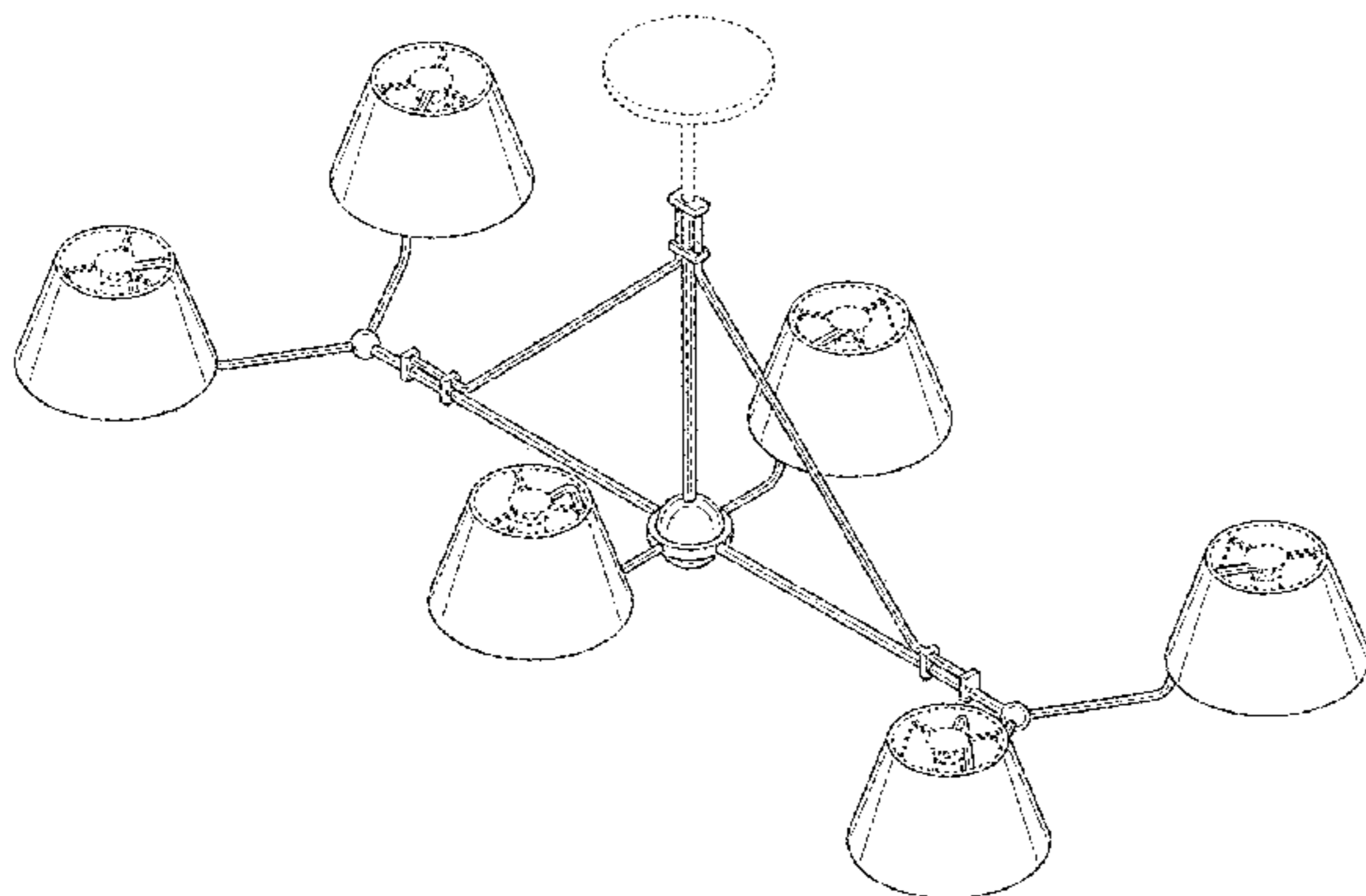
The ornamental design for a lighting fixture, as shown and described.

DESCRIPTION

FIG. 1 is a bottom perspective view of a new lighting fixture; FIG. 2 is a top perspective view thereof; FIG. 3 is a front elevation view thereof; FIG. 4 is a back elevation view thereof; FIG. 5 is a left elevation view thereof; FIG. 6 is a right elevation view thereof; FIG. 7 is a top plan view thereof; and, FIG. 8 is a bottom plan view thereof.

The broken lines on the drawings represent portions of the lighting fixture that form no part of the claimed design.

1 Claim, 8 Drawing Sheets



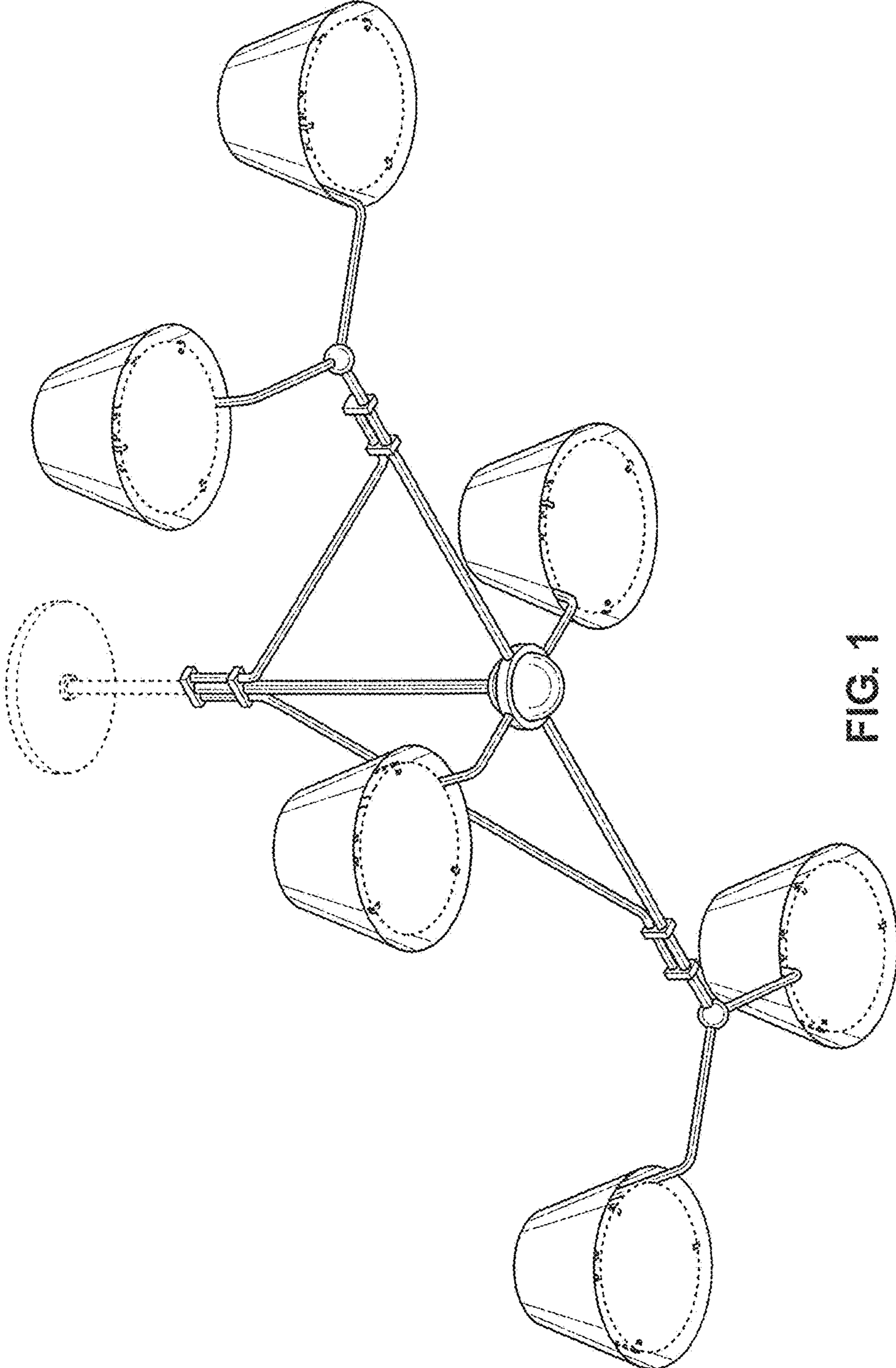


FIG. 1

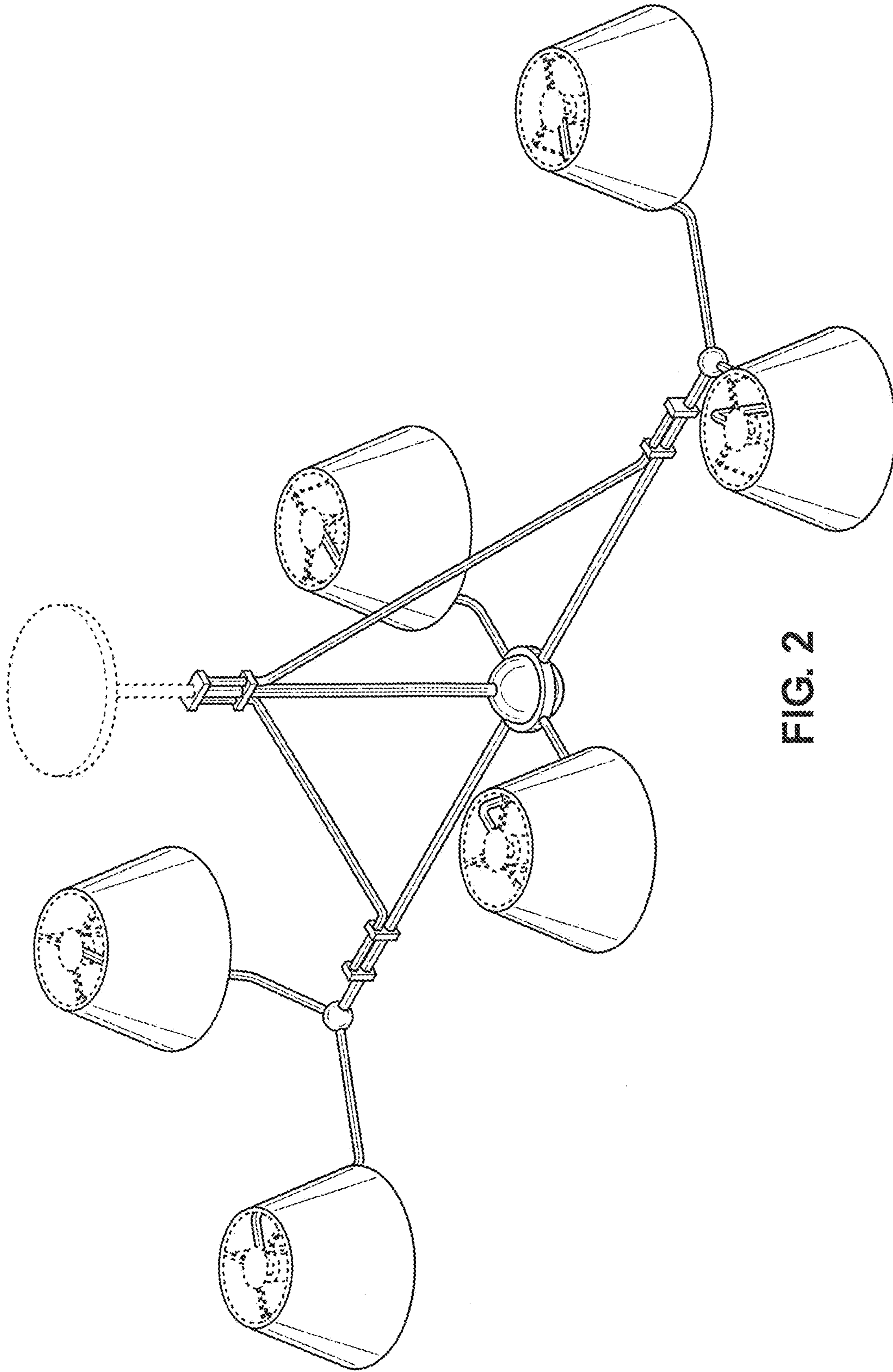


FIG. 2

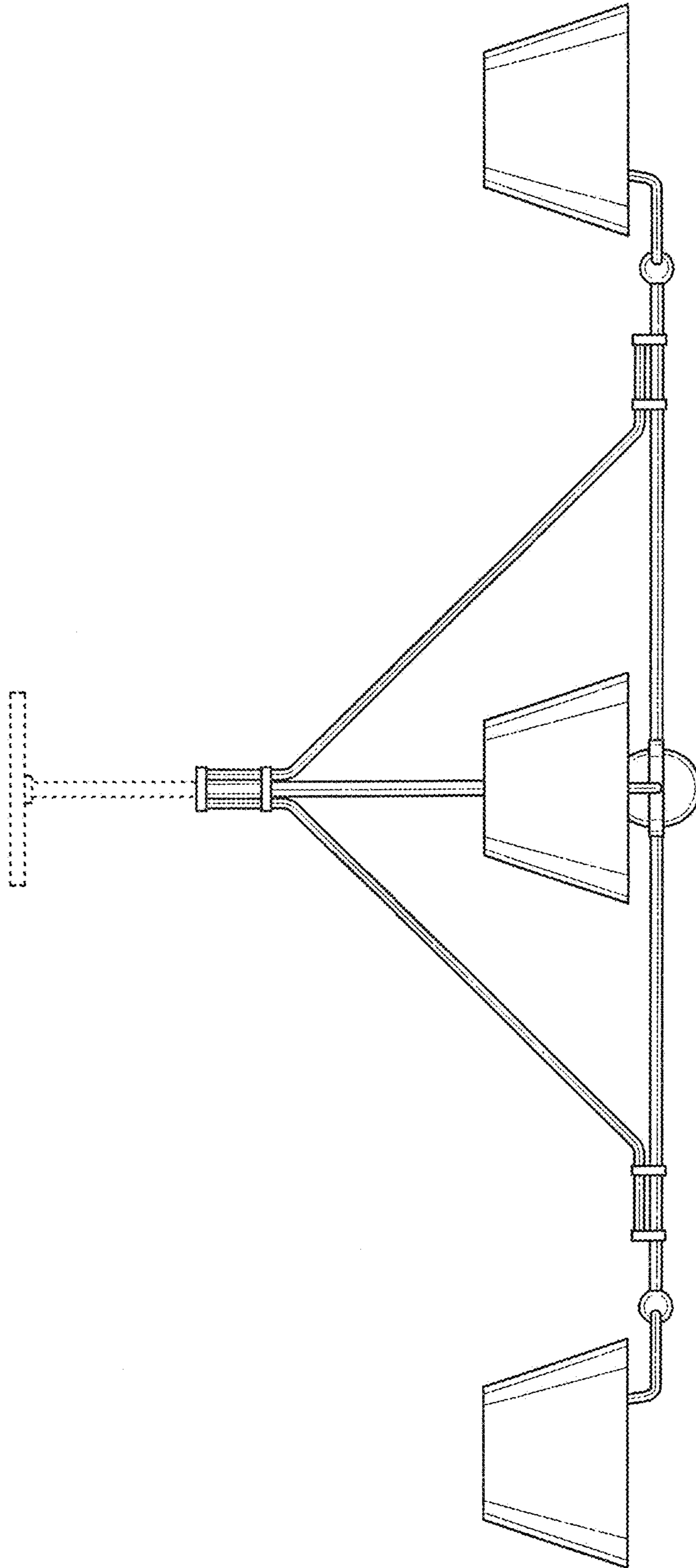


FIG. 3

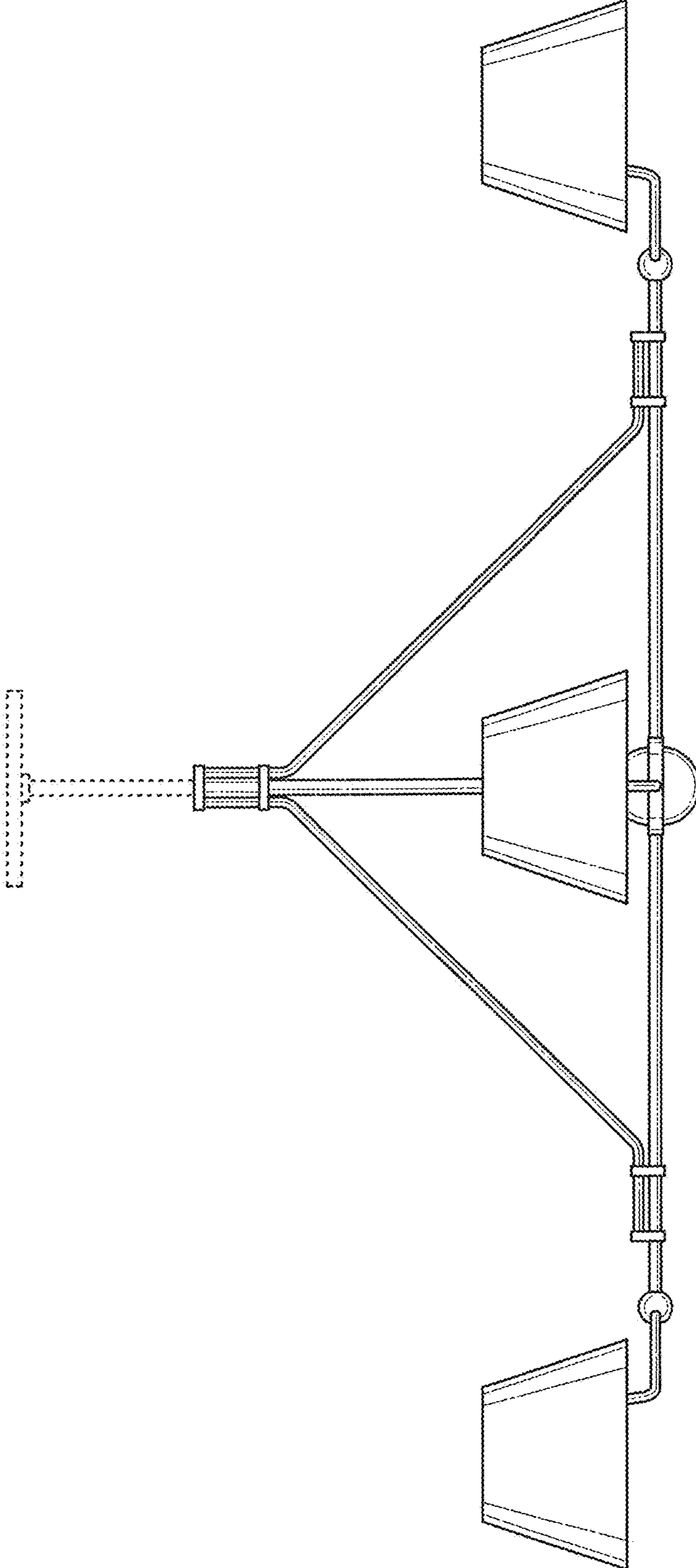


FIG. 4

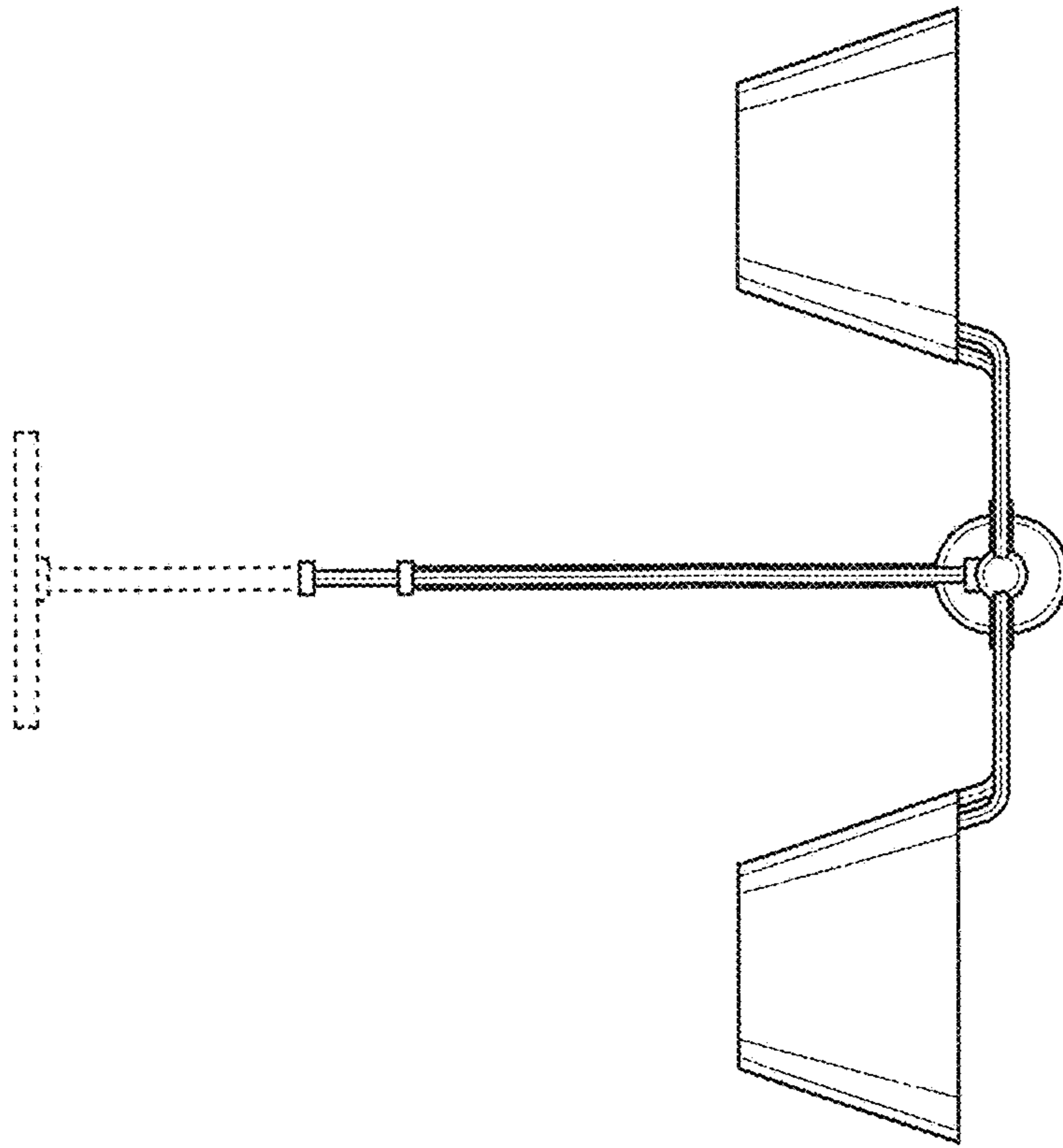


FIG. 5

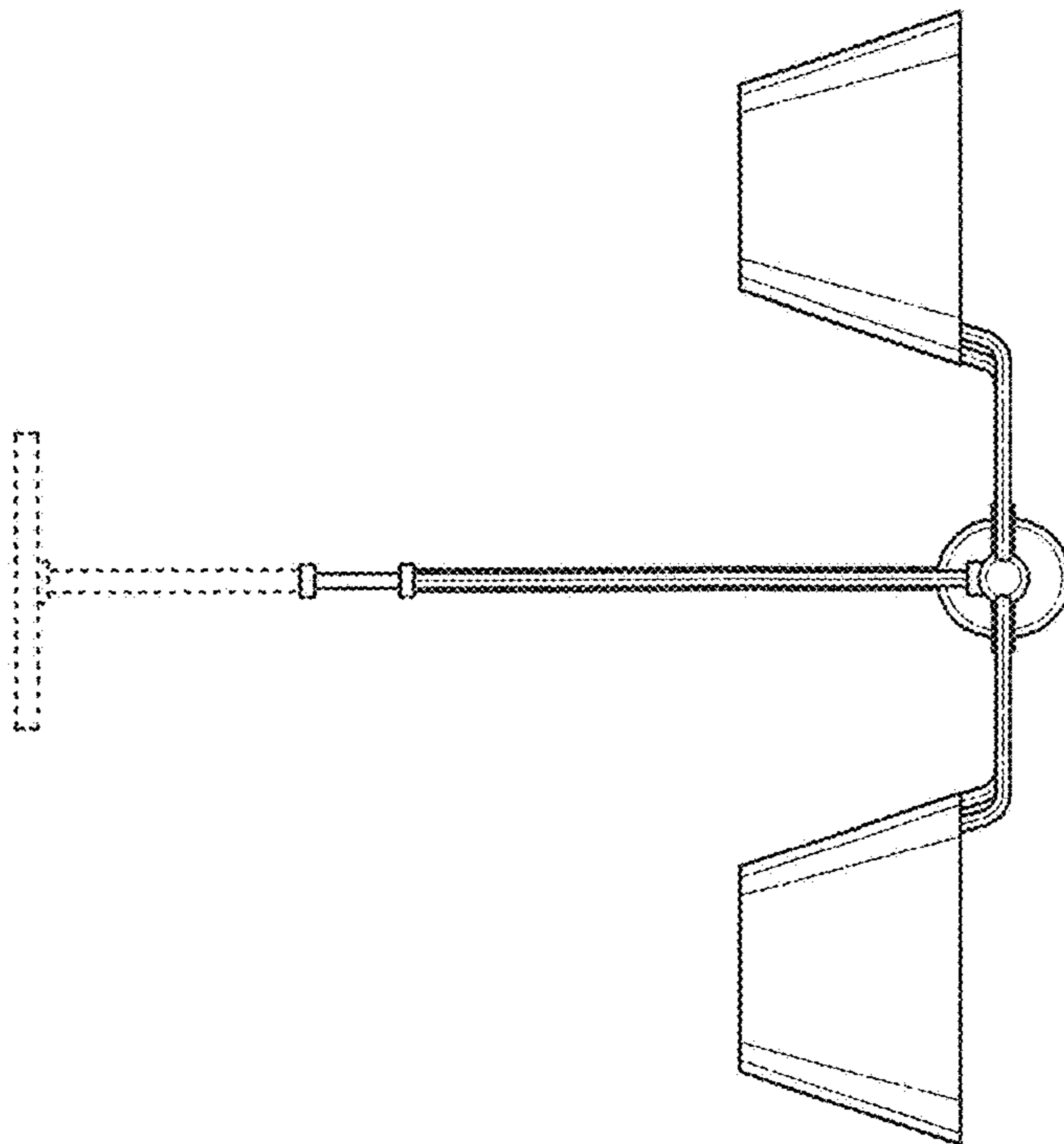


FIG. 6

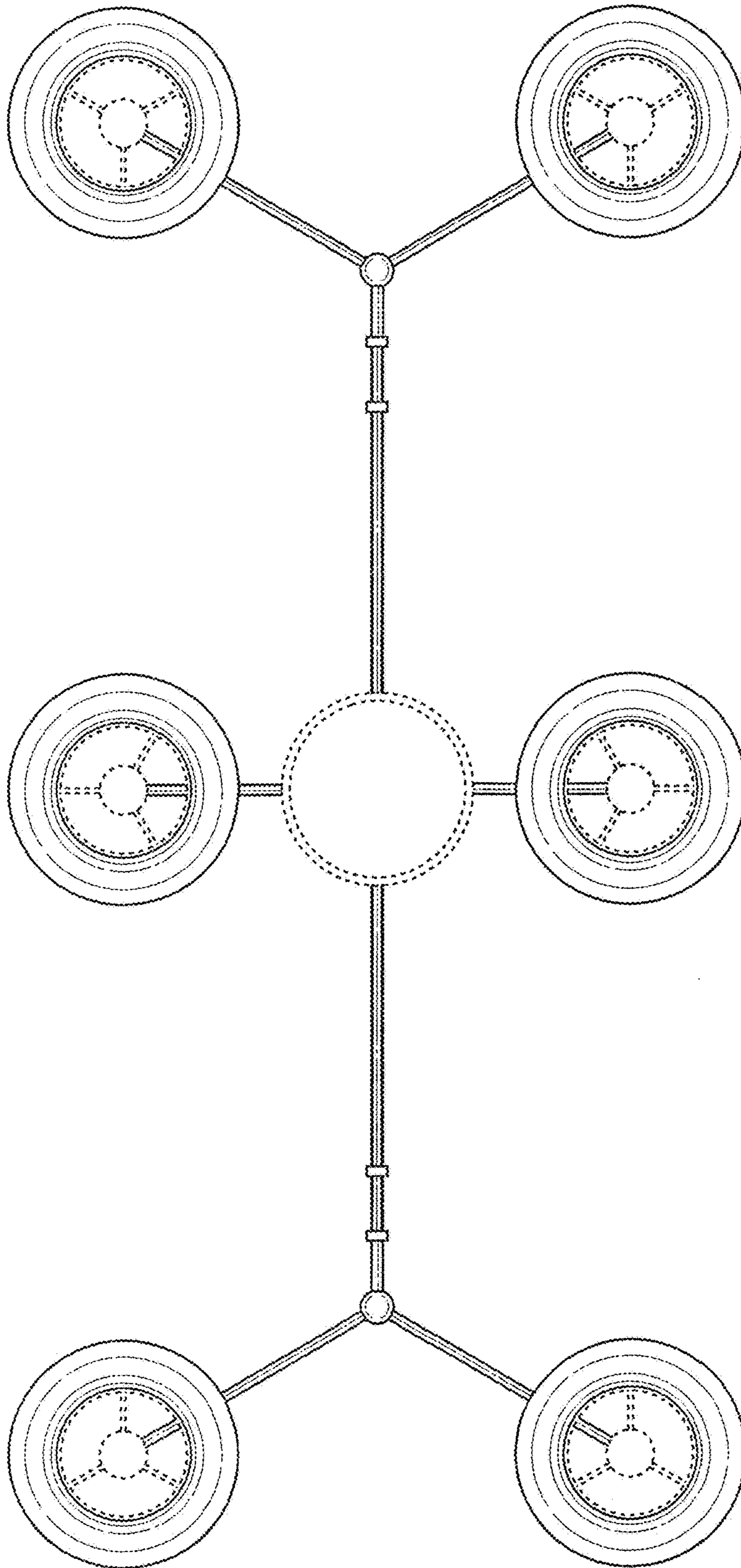


FIG. 7

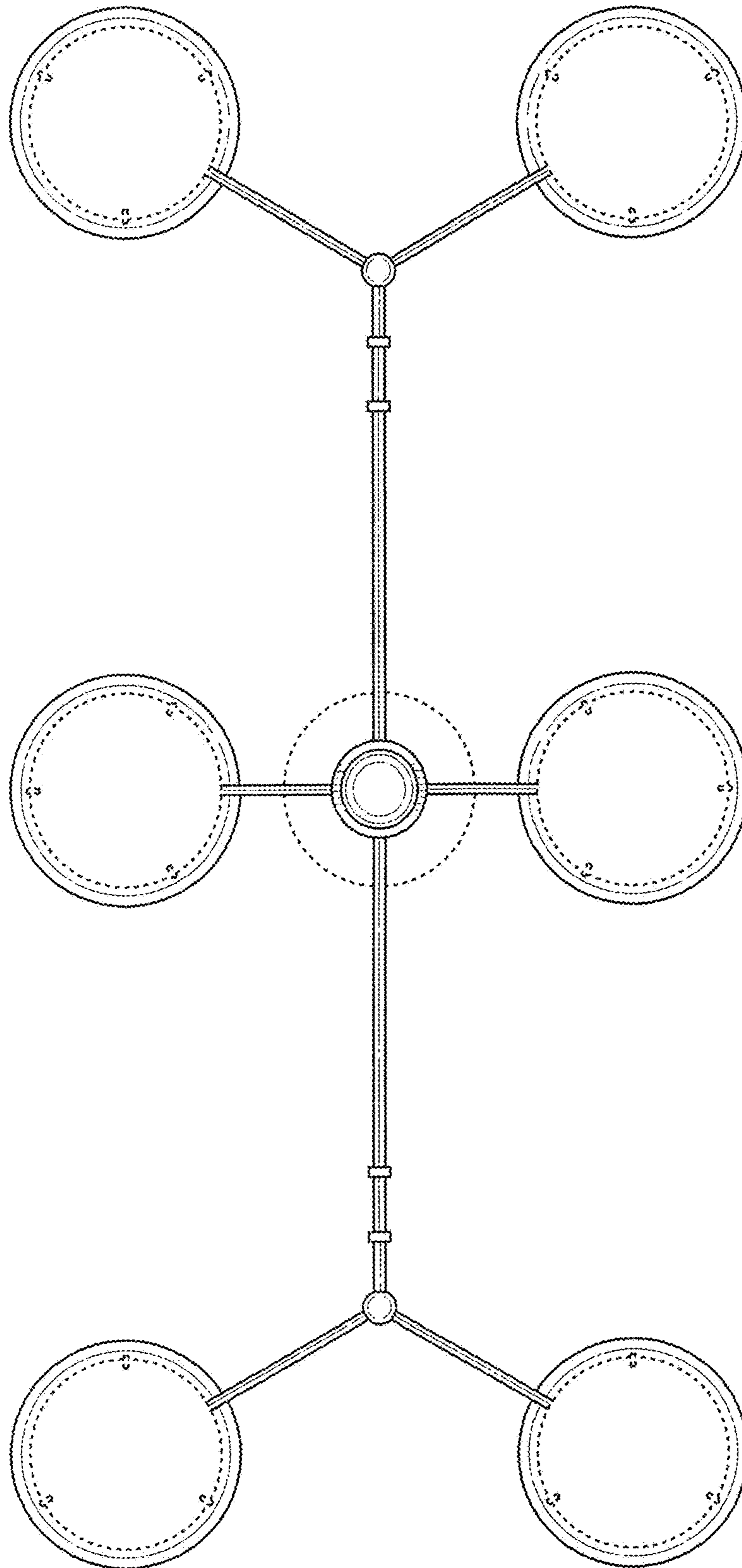


FIG. 8