



US00D819864S

(12) **United States Design Patent**
Deng

(10) **Patent No.:** **US D819,864 S**

(45) **Date of Patent:** **** Jun. 5, 2018**

(54) **HIGH BAY LIGHT**

(71) Applicant: **Dongguan Pan American Electronics Co., Ltd**, DongGuan, GuangDong (CN)

(72) Inventor: **Jinsheng Deng**, DongGuan (CN)

(73) Assignee: **DONGGUAN PAN AMERICAN ELECTRONICS CO., LTD.**, Dongguan, Guangdong (CN)

(**) Term: **15 Years**

(21) Appl. No.: **29/606,908**

(22) Filed: **Jun. 8, 2017**

(51) **LOC (11) Cl.** **26-04**

(52) **U.S. Cl.**
USPC **D26/76**

(58) **Field of Classification Search**
USPC D26/76, 78, 79, 80, 81, 82, 83, 85, 86, D26/88, 90, 113, 118, 119, 120, 121, 122, D26/138, 139, 140, 141, 142, 152
CPC F21S 2/00; F21S 4/00; F21S 4/003; F21S 4/005; F21S 4/006; F21S 4/007; F21S 4/008; F21S 6/00; F21S 8/00; F21S 8/024; F21S 8/026; F21S 8/031; F21S 8/033; F21S 8/035–8/037; F21S 8/04; F21S 8/043; F21S 8/063

See application file for complete search history.

(56) **References Cited**

U.S. PATENT DOCUMENTS

7,207,690 B2 * 4/2007 Haugaard F21S 8/06 362/222
D703,858 S * 4/2014 Miller D26/76

D706,481 S * 6/2014 Holland D26/78
9,016,892 B1 * 4/2015 Scribante F21V 29/763 362/222
D735,931 S * 8/2015 Lehman D26/121
D743,610 S * 11/2015 Inzinger D26/77
D744,690 S * 12/2015 Boyer D26/76
D759,874 S * 6/2016 Boyer D26/76
D761,477 S * 7/2016 Guercio D26/76
D765,299 S * 8/2016 Ladnier D26/76
9,416,954 B2 * 8/2016 Miller F21V 7/00
D780,974 S * 3/2017 Scribante D26/76
D799,655 S * 10/2017 Hirsch D23/351
D800,367 S * 10/2017 Ladnier D26/76
2017/0097152 A1 * 4/2017 Scribante F21V 29/83

* cited by examiner

Primary Examiner — George D. Kirschbaum

Assistant Examiner — Natasha Vujcic

(74) *Attorney, Agent, or Firm* — Ladas & Parry LLP

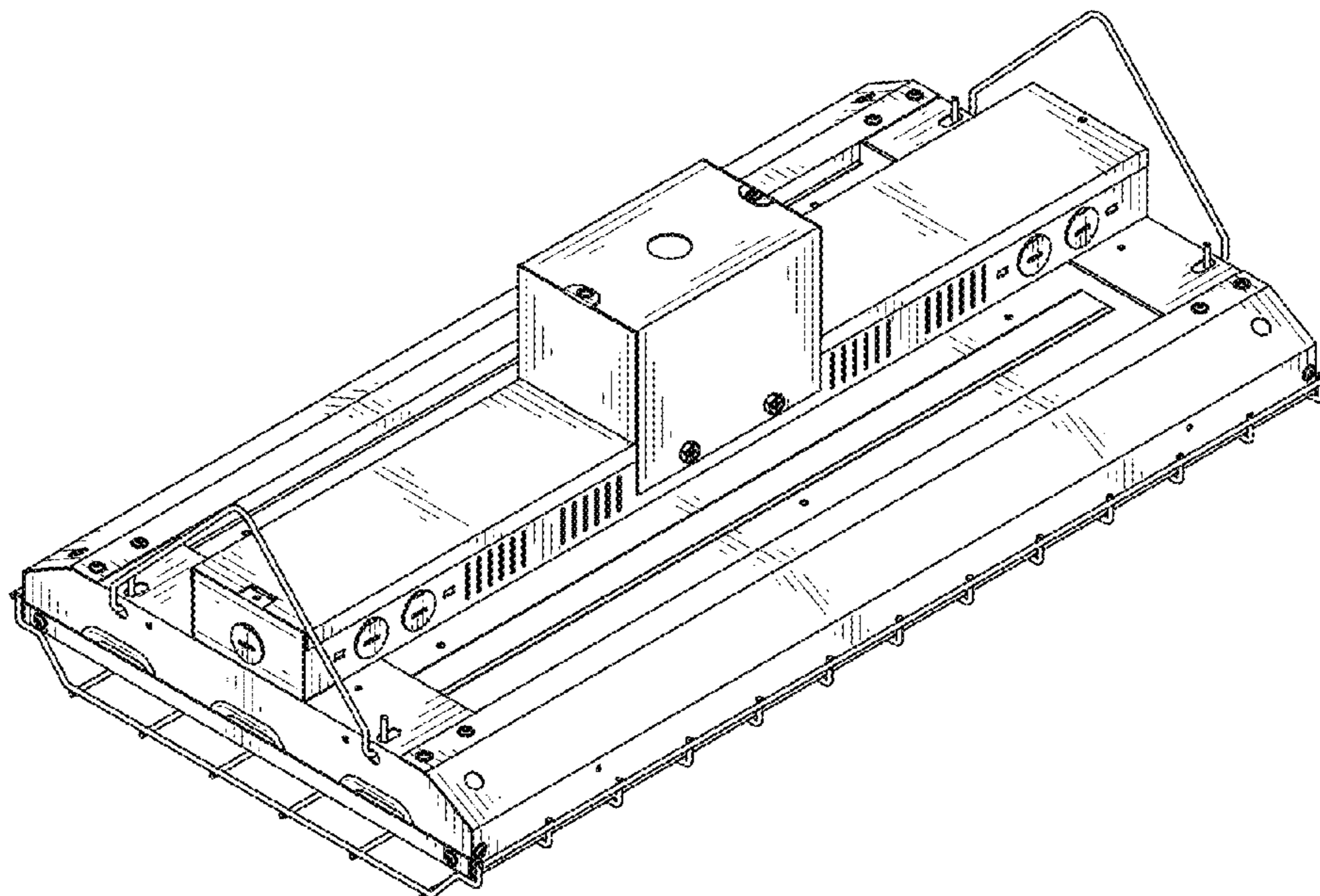
(57) **CLAIM**

The ornamental design for a high bay light, as shown and described.

DESCRIPTION

FIG. 1 is a perspective view of a high bay light showing my new design;
FIG. 2 is a front elevational view thereof;
FIG. 3 is a rear elevational view thereof;
FIG. 4 is a left-side elevational view thereof;
FIG. 5 is a right-side elevational view thereof;
FIG. 6 is a top plan view thereof; and,
FIG. 7 is a bottom plan view thereof.

1 Claim, 7 Drawing Sheets



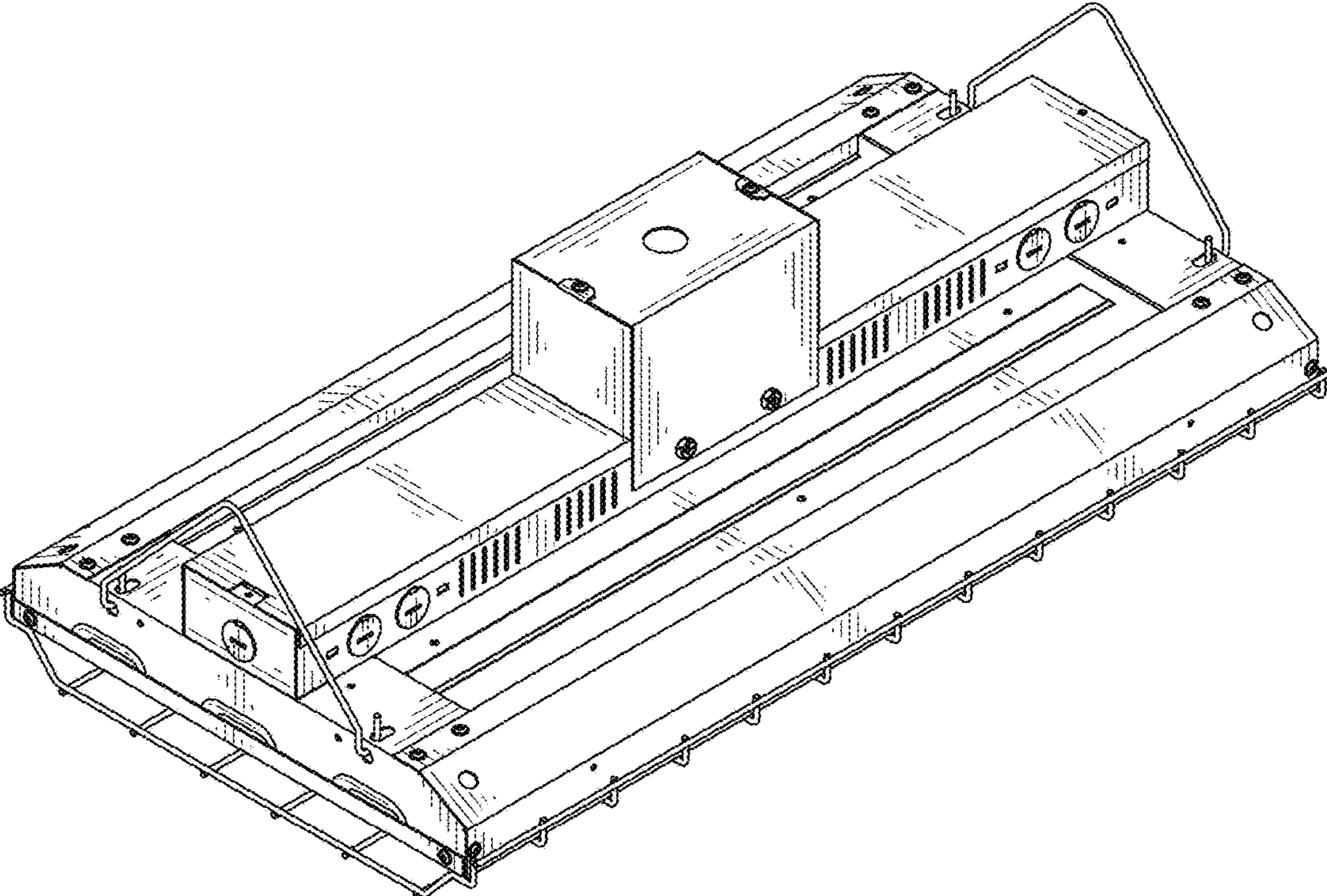


FIG. 1

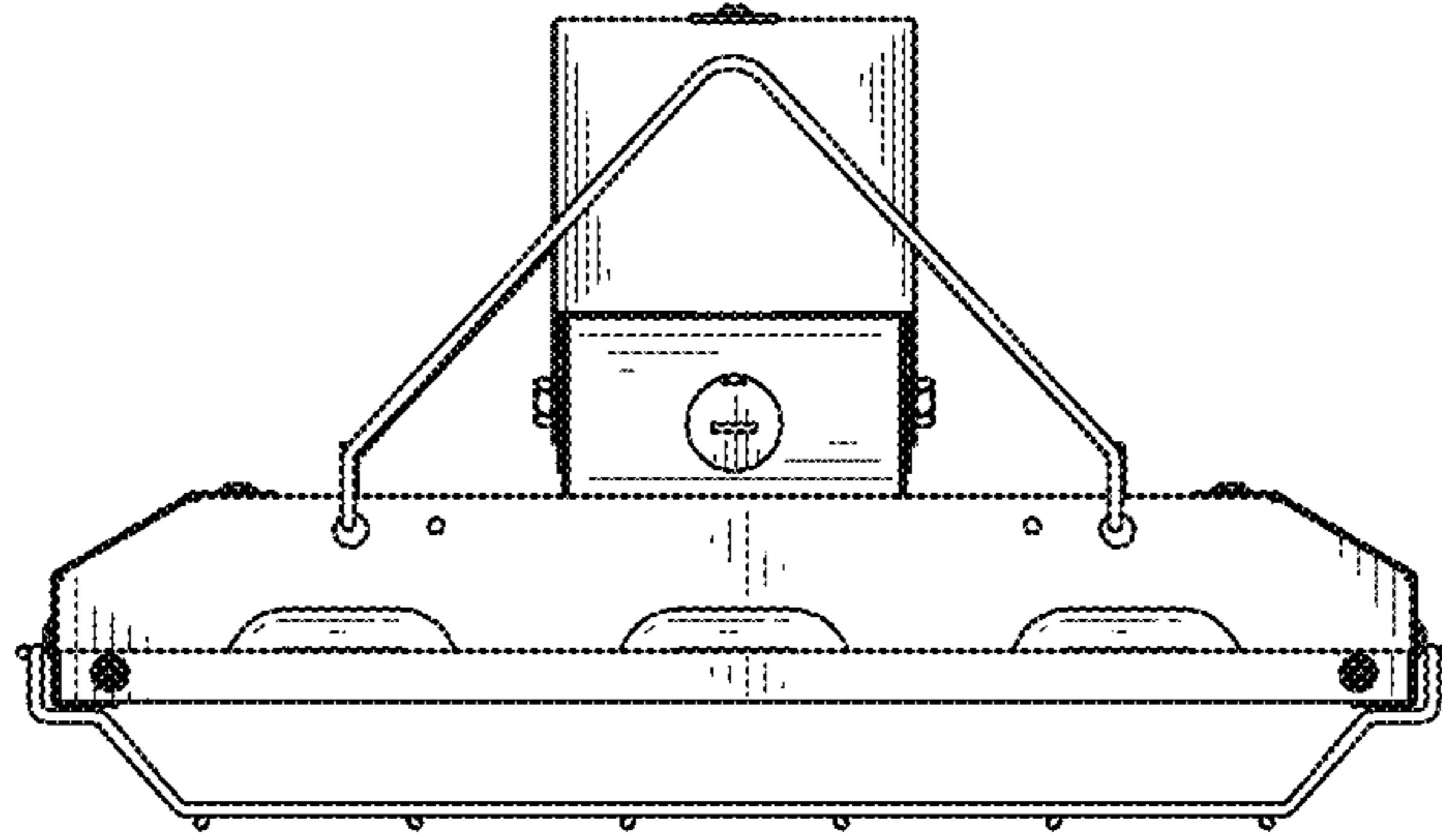


FIG. 2

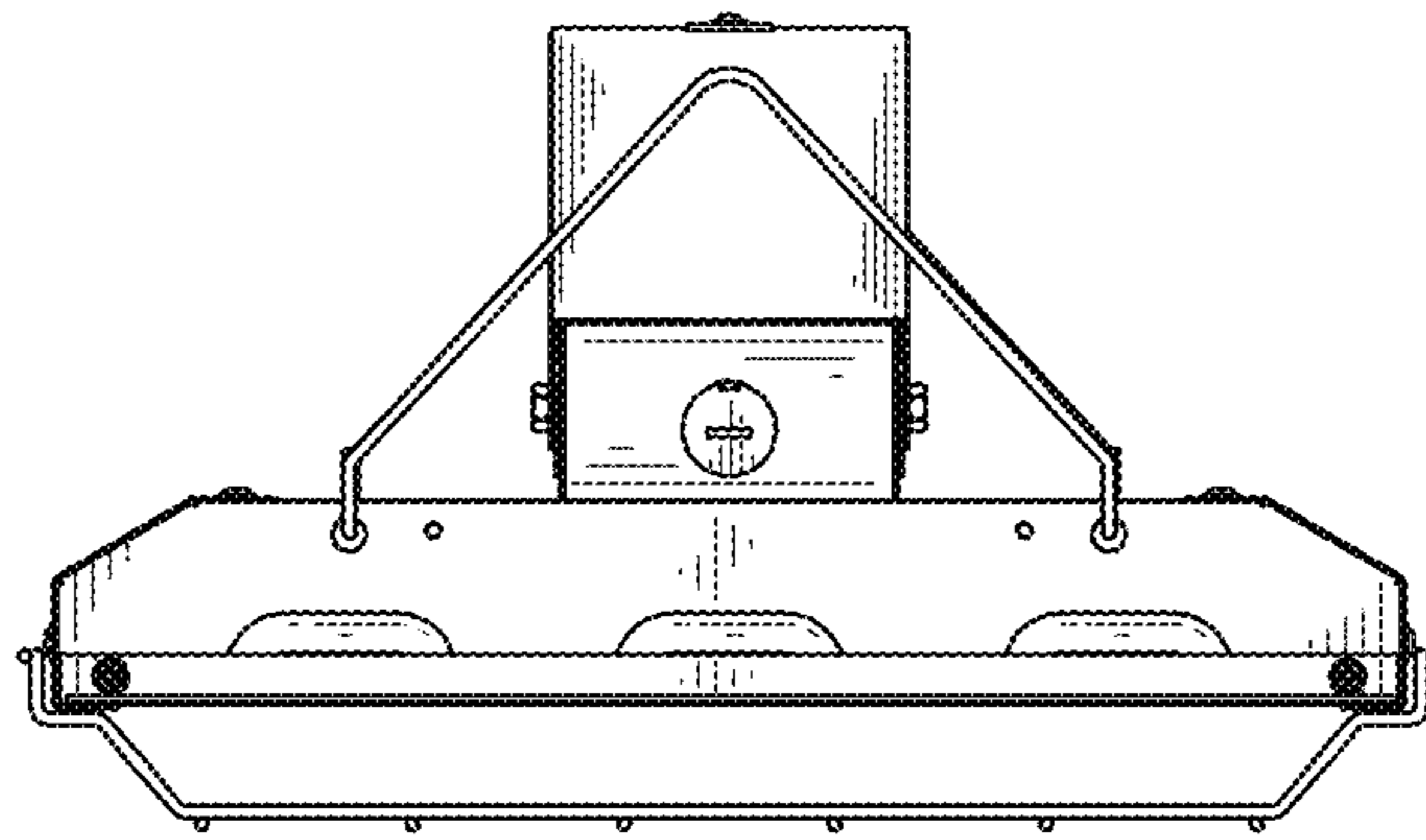


FIG. 3

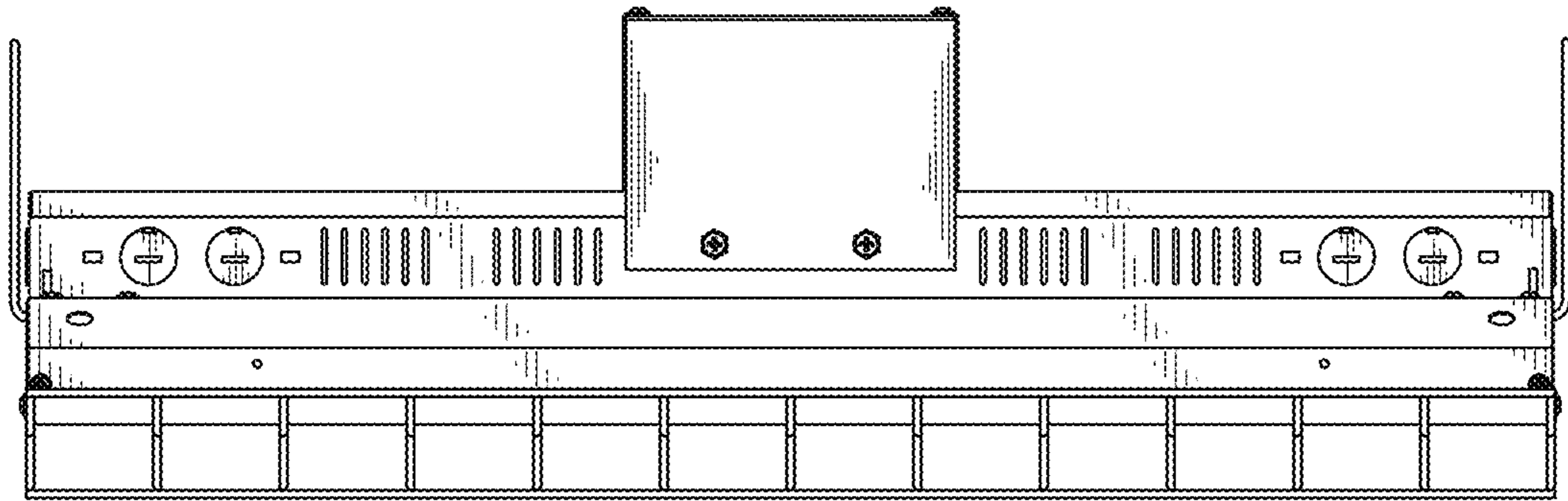


FIG. 4

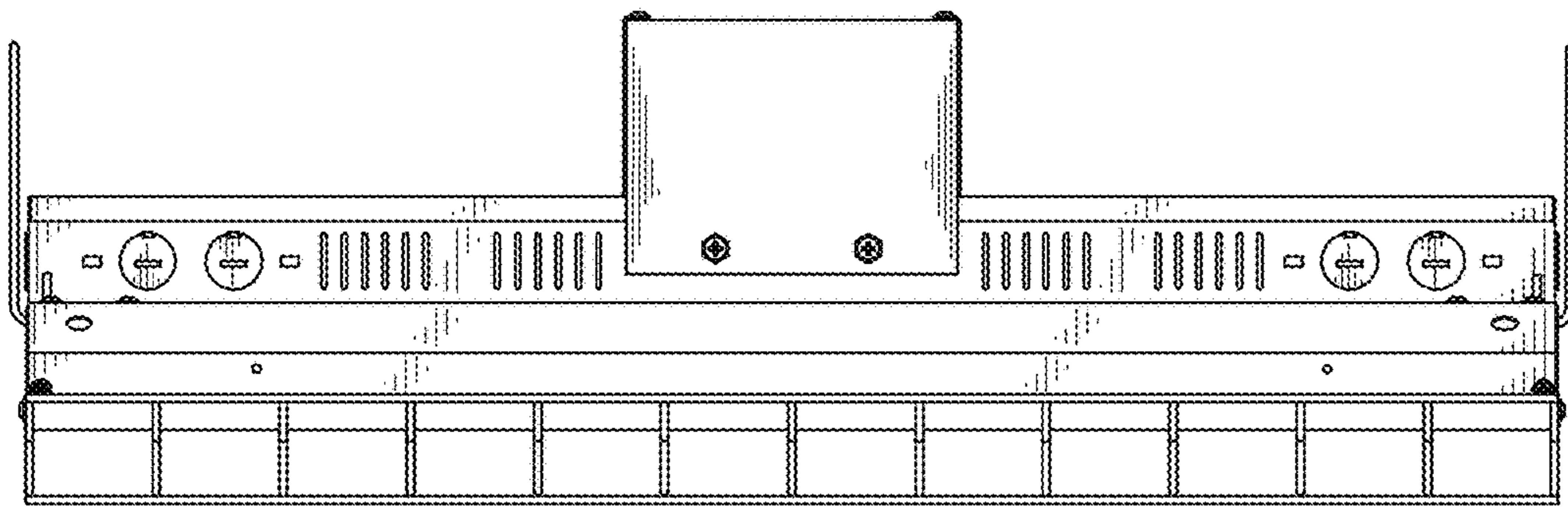


FIG. 5

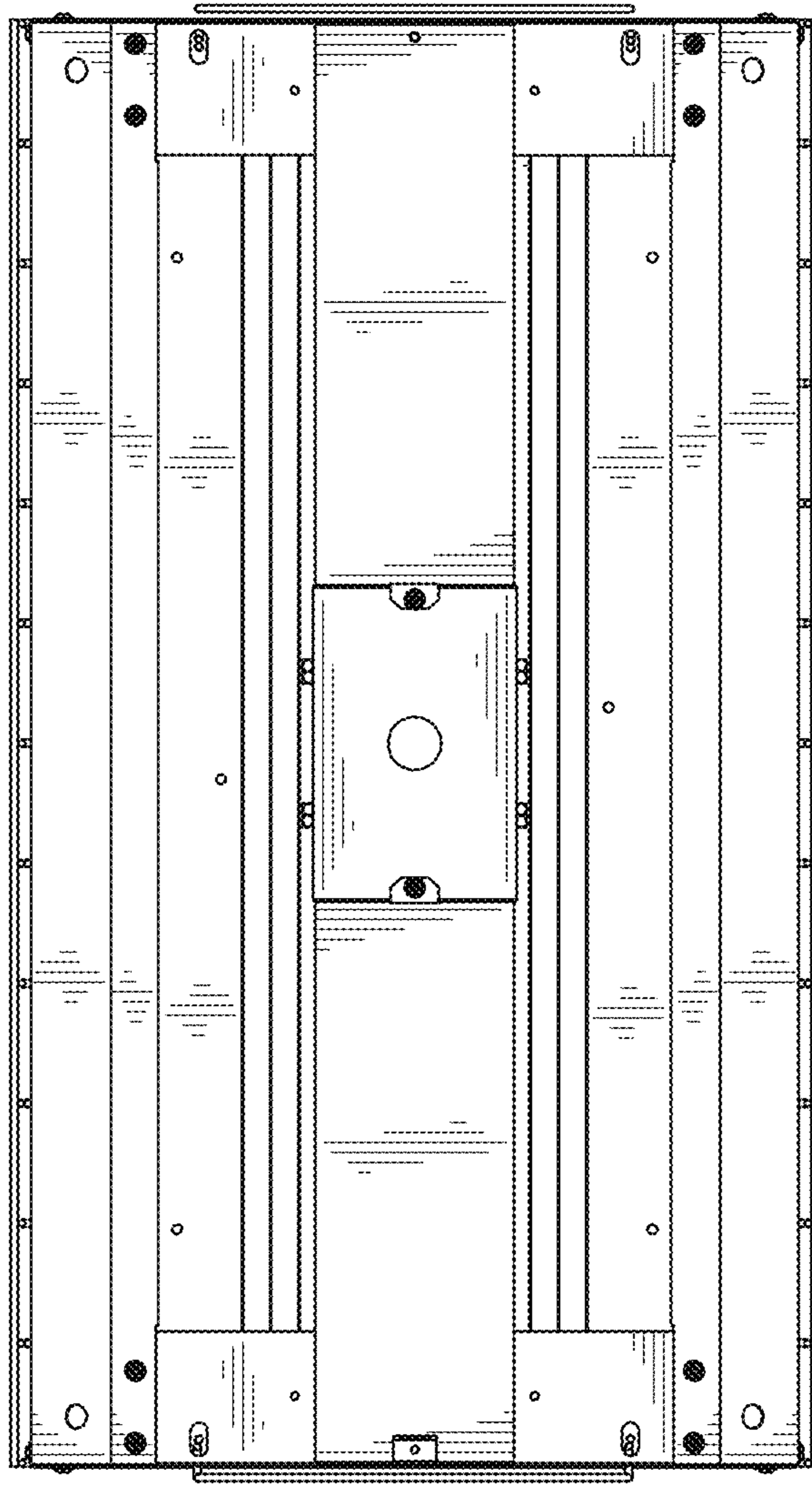


FIG. 6

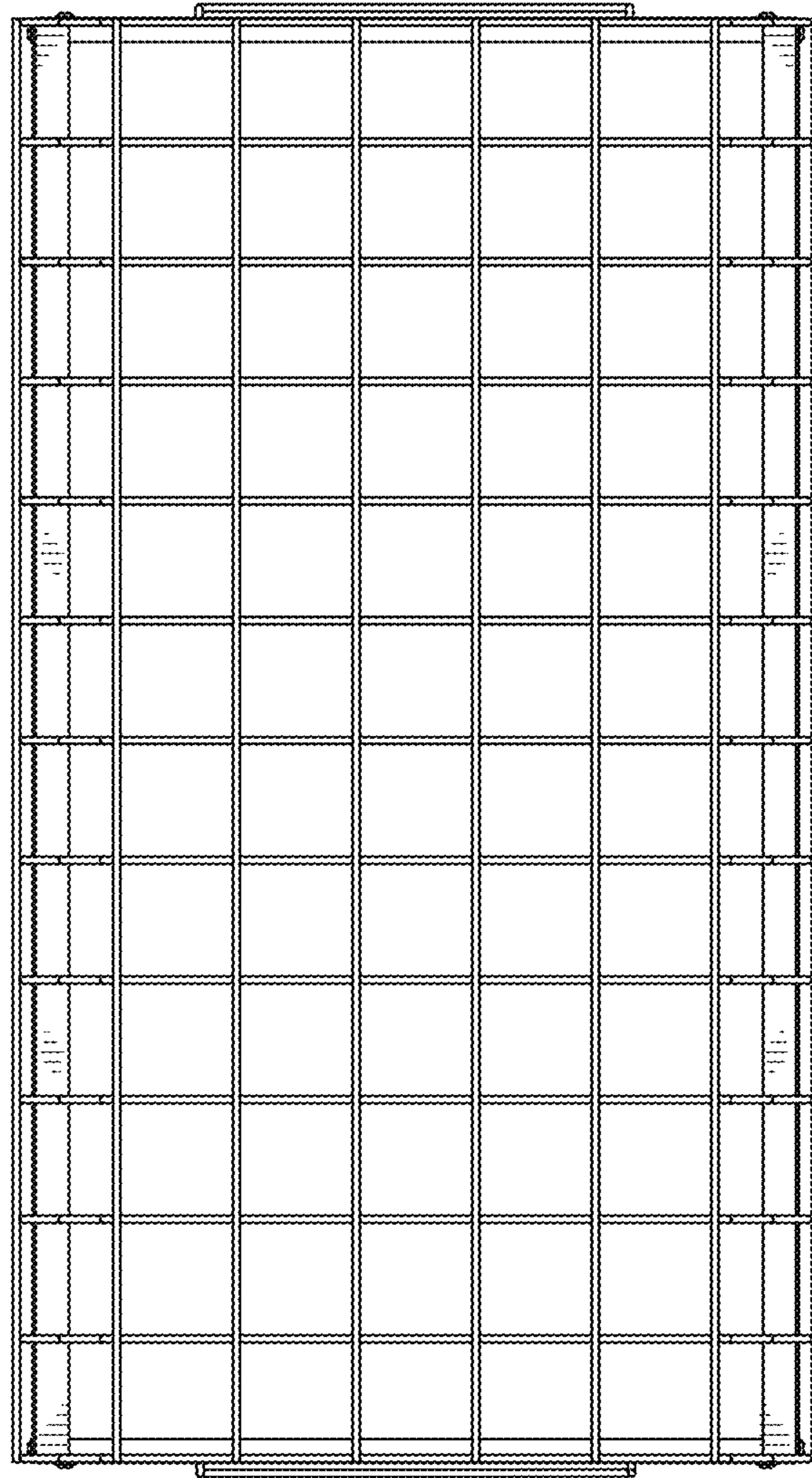


FIG. 7