



US00D819863S

(12) **United States Design Patent**  
**Deng**

(10) **Patent No.:** **US D819,863 S**

(45) **Date of Patent:** **\*\* Jun. 5, 2018**

(54) **LED VANITY WALL LIGHT**

(71) Applicant: **Dongguan Pan American Electronics Co., Ltd**, DongGuan, GuangDong (CN)

(72) Inventor: **Jinsheng Deng**, DongGuan (CN)

(73) Assignee: **DONGGUAN PAN AMERICAN ELECTRONICS CO., LTD**, Dongguan, Guangdong (CN)

(\*\*) Term: **15 Years**

(21) Appl. No.: **29/606,754**

(22) Filed: **Jun. 7, 2017**

(30) **Foreign Application Priority Data**

Mar. 10, 2017 (CN) ..... 2017 3 0072132

(51) **LOC (11) Cl.** ..... **26-04**

(52) **U.S. Cl.**  
USPC ..... **D26/76**

(58) **Field of Classification Search**

USPC ..... D26/76, 78, 79, 80, 81, 82, 83, 85, 86,  
D26/88, 90, 113, 118, 119, 120, 121, 122,  
D26/138, 139, 140, 141, 142, 152  
CPC ..... F21S 2/00; F21S 4/00; F21S 4/003; F21S  
4/005; F21S 4/006; F21S 4/007; F21S  
4/008; F21S 6/00; F21S 8/00; F21S  
8/024; F21S 8/026; F21S 8/031; F21S  
8/033; F21S 8/035-8/037; F21S 8/04;  
F21S 8/043; F21S 8/063  
See application file for complete search history.

(56) **References Cited**

**U.S. PATENT DOCUMENTS**

D131,532 S \* 3/1942 Naysmith ..... D26/76  
2,474,308 A \* 6/1949 Franck ..... F21S 8/04  
D26/76

D274,657 S \* 7/1984 Herst ..... D26/76  
D444,587 S \* 7/2001 Hastings ..... D26/76  
D554,793 S \* 11/2007 Bobel ..... D26/76  
D577,138 S \* 9/2008 Kitagawa ..... D26/37  
D626,267 S \* 10/2010 Ng ..... D26/76  
D633,642 S \* 3/2011 Wauters ..... D26/76  
D671,254 S \* 11/2012 Miyatake ..... D26/75  
D746,506 S \* 12/2015 Grasser ..... D26/90  
D774,682 S \* 12/2016 Chen ..... D26/85  
D783,877 S \* 4/2017 Liu ..... D26/76  
D792,632 S \* 7/2017 Amato ..... D26/90  
D799,733 S \* 10/2017 Recker ..... D26/76  
D808,060 S \* 1/2018 Wouters ..... D26/78

\* cited by examiner

*Primary Examiner* — George D. Kirschbaum

*Assistant Examiner* — Natasha Vujcic

(74) *Attorney, Agent, or Firm* — Ladas & Parry LLP

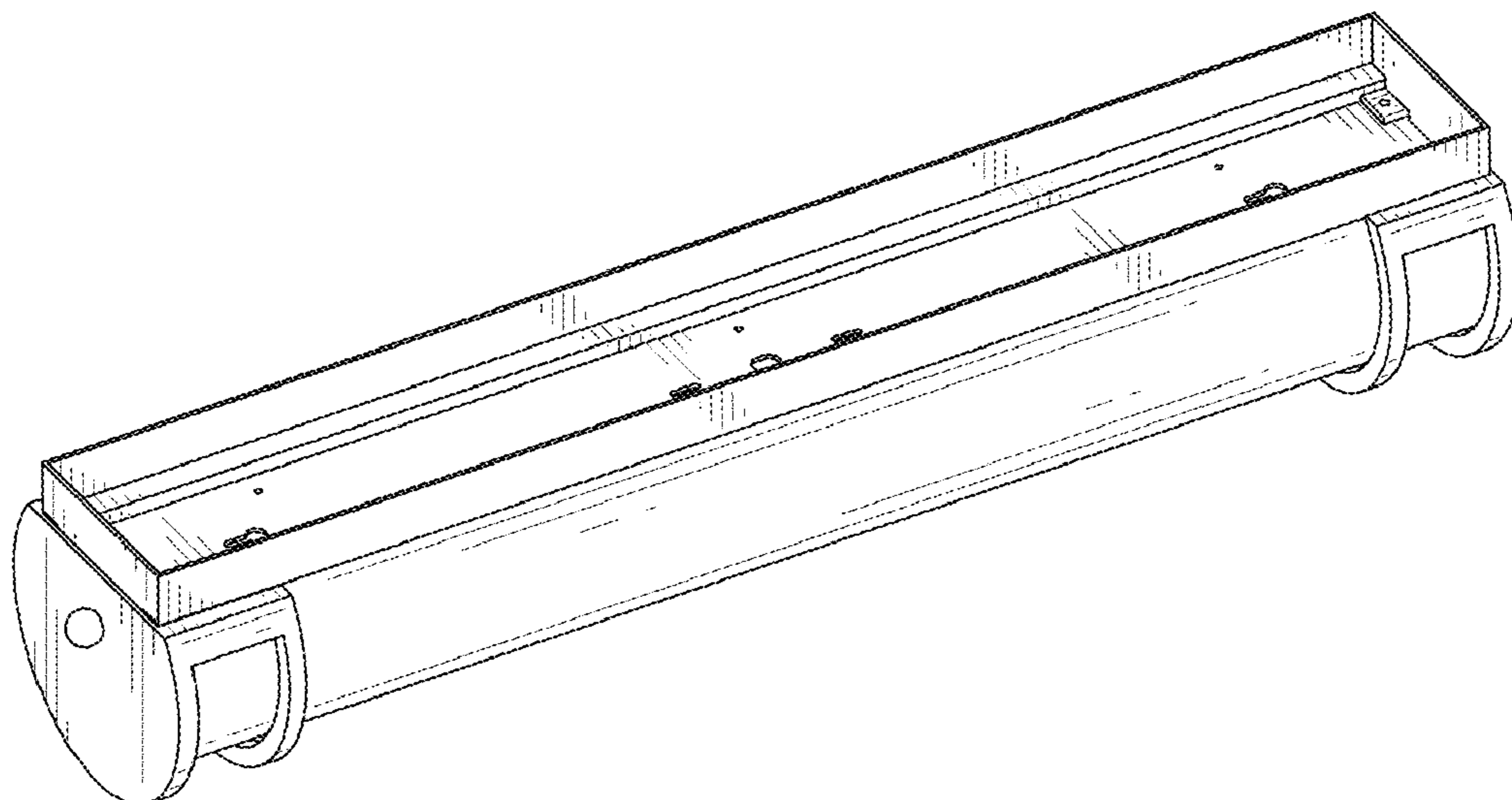
(57) **CLAIM**

The ornamental design for an LED vanity wall light, as shown and described.

**DESCRIPTION**

FIG. 1 is a front elevational view of an LED vanity wall light showing my new design;  
FIG. 2 is a rear elevational view thereof;  
FIG. 3 is a left-side elevational view thereof;  
FIG. 4 is a right-side elevational view thereof;  
FIG. 5 is a top plan view thereof;  
FIG. 6 is a bottom plan view thereof;  
FIG. 7 is a front, top, left perspective view thereof; and,  
FIG. 8 is a front, bottom, right perspective view thereof.

**1 Claim, 8 Drawing Sheets**



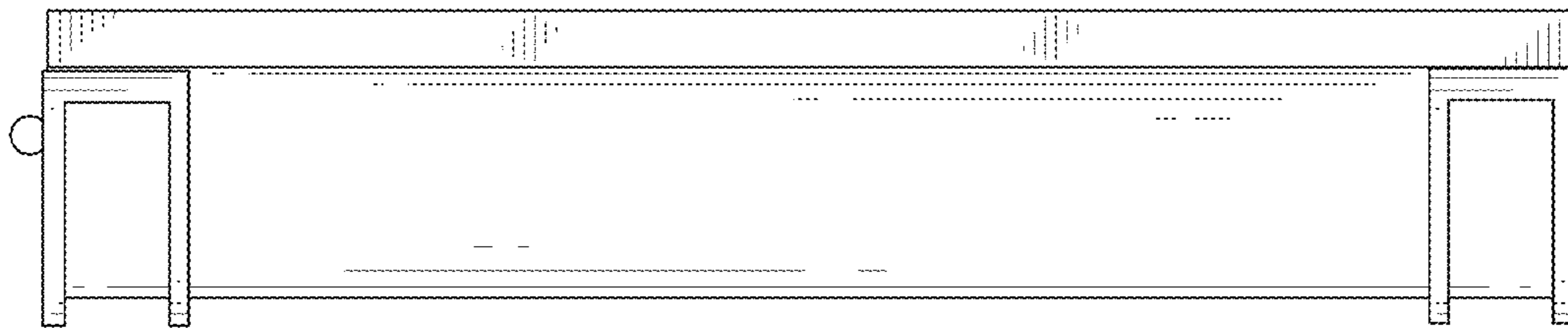


FIG. 1

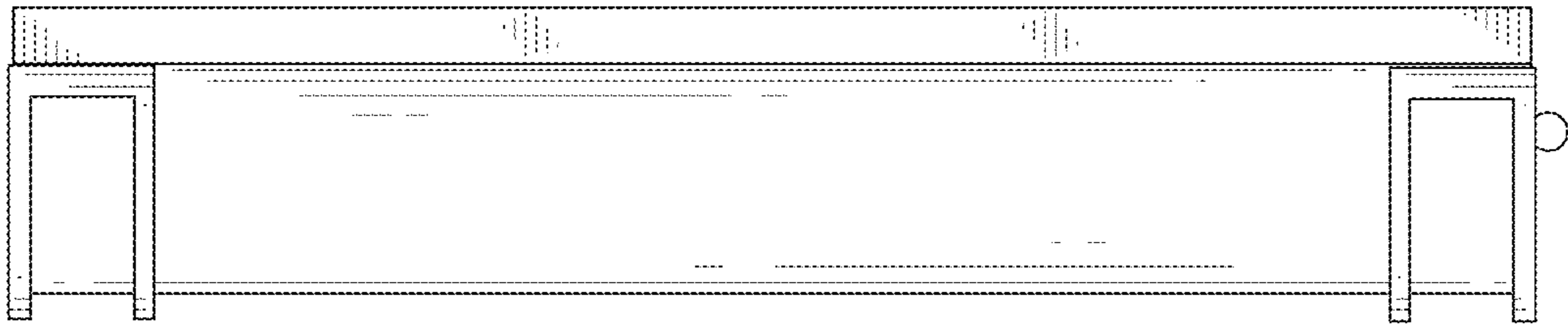


FIG. 2

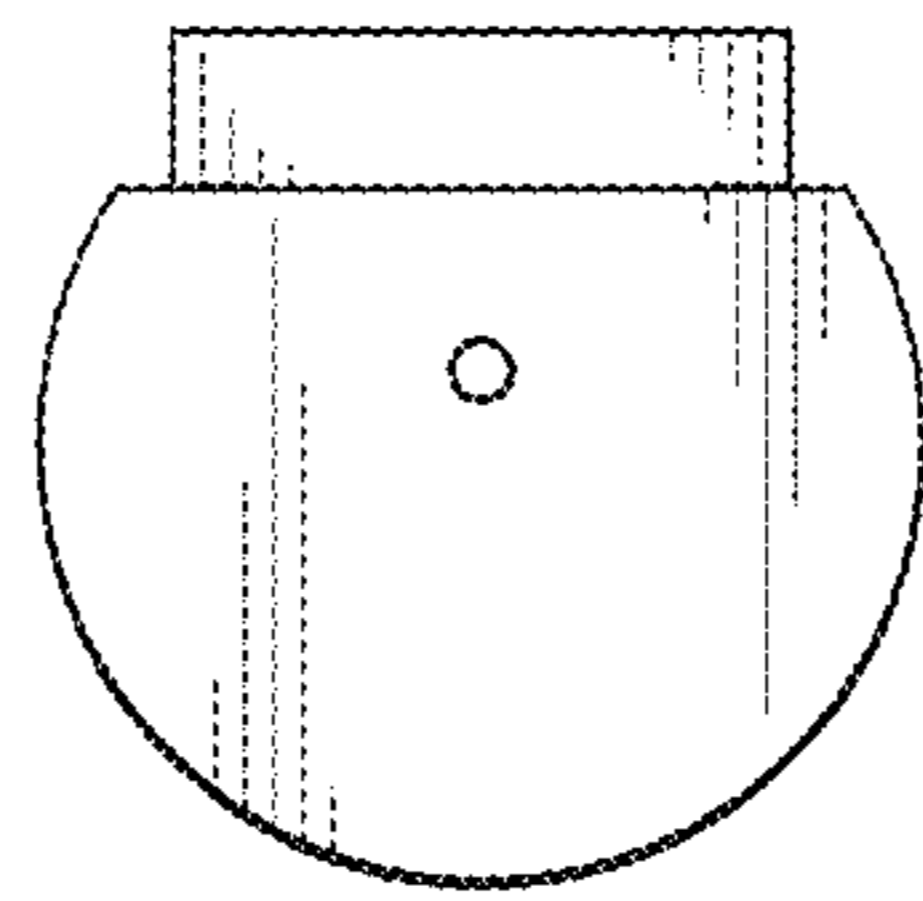


FIG. 3

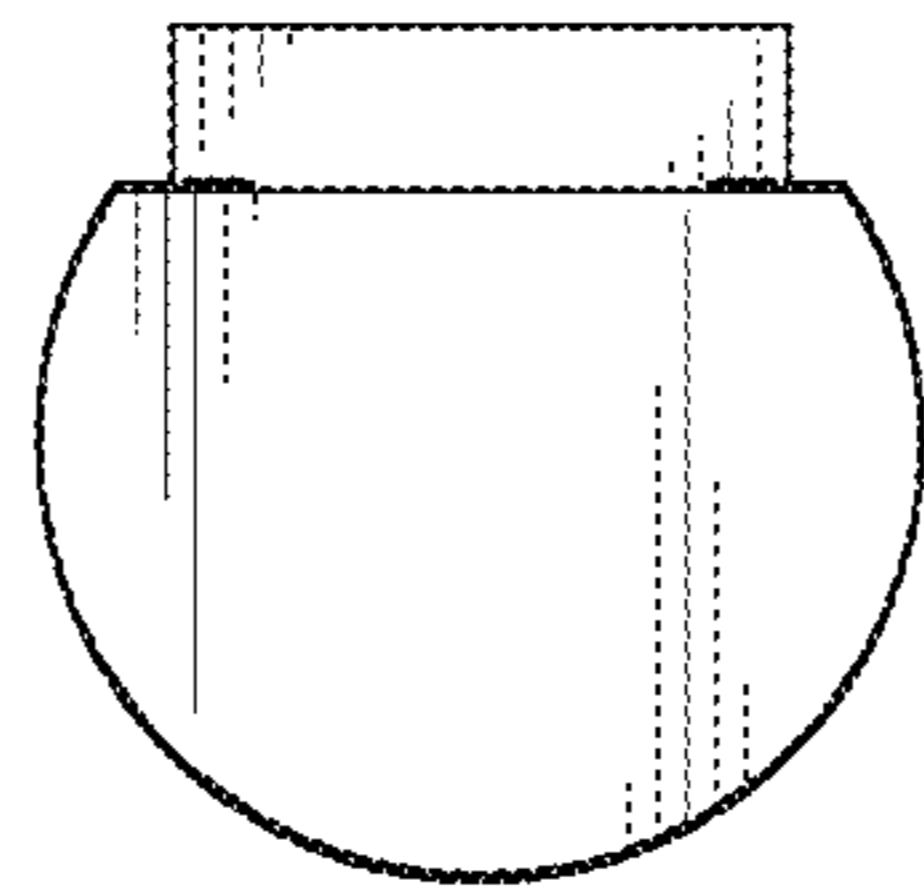


FIG. 4

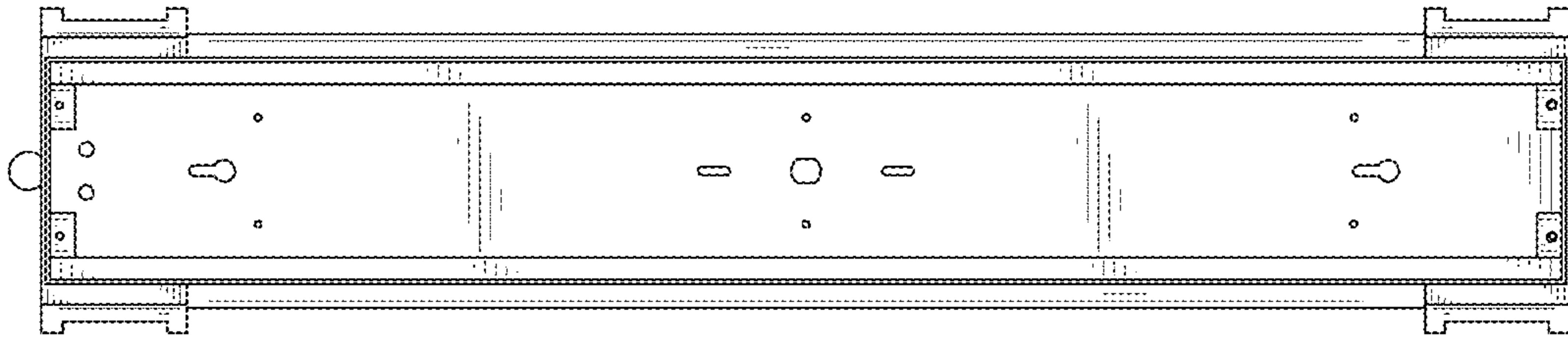


FIG. 5

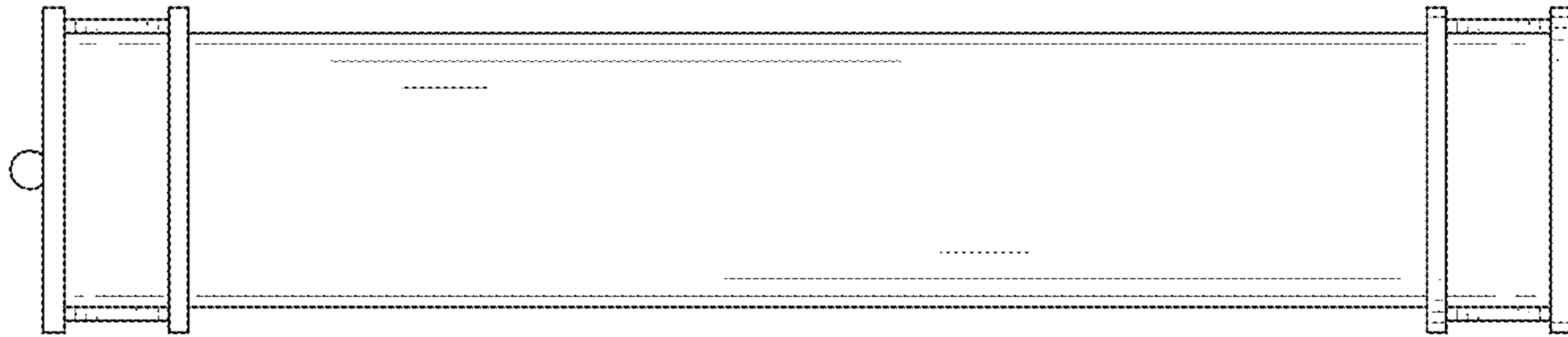


FIG. 6

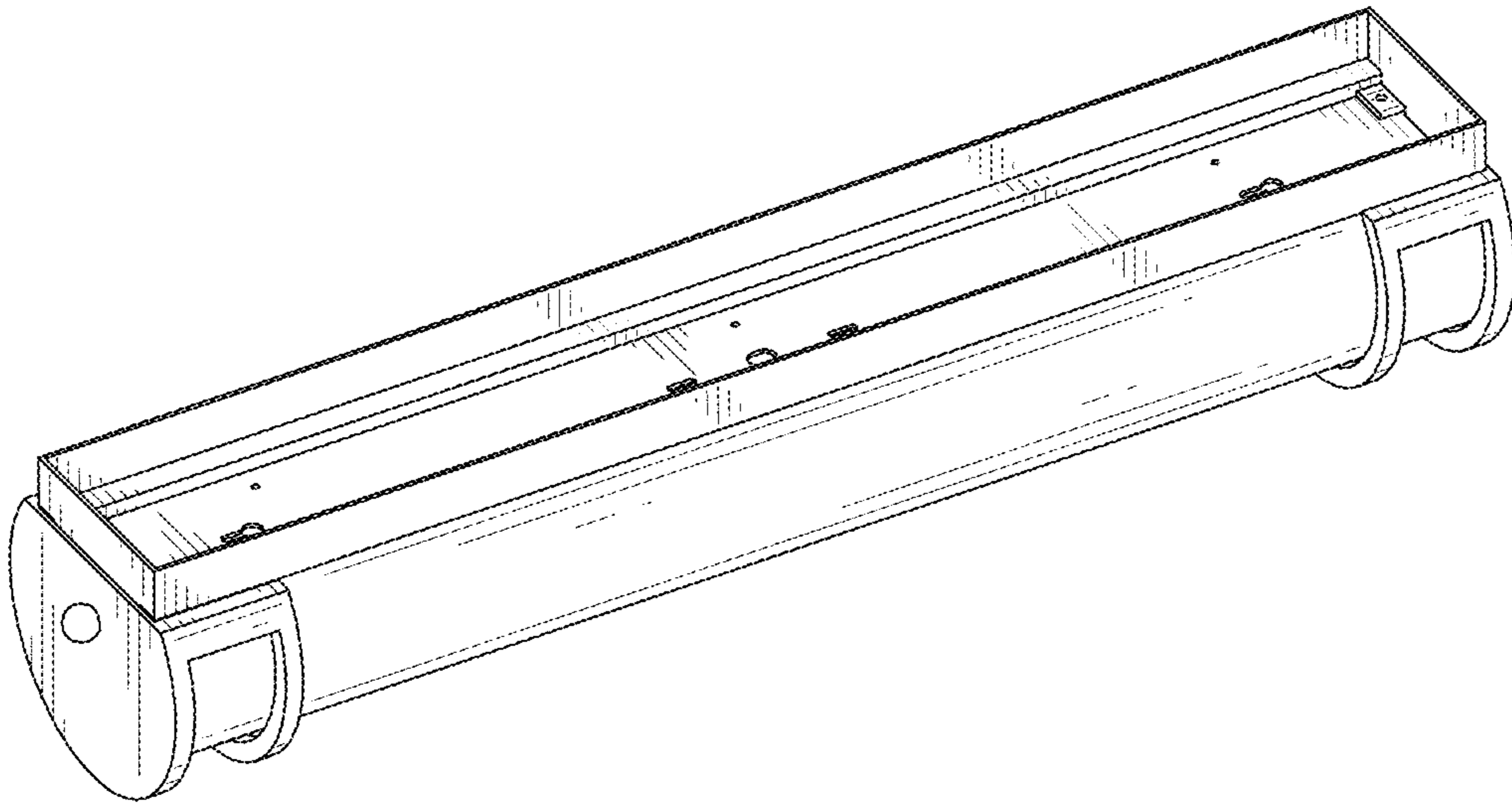


FIG. 7



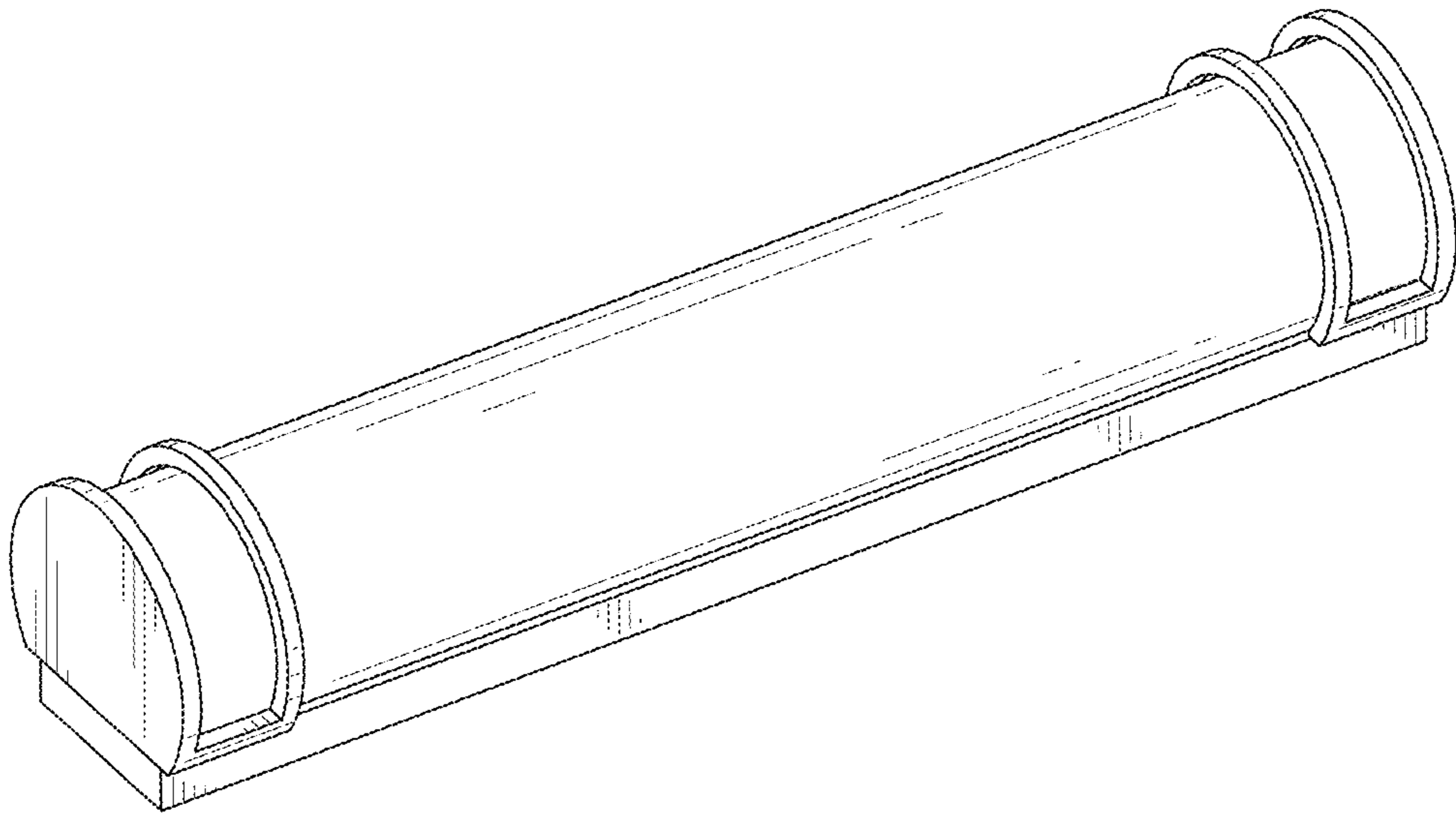


FIG. 8