



US00D819861S

(12) **United States Design Patent** (10) **Patent No.:** **US D819,861 S**
Scribante et al. (45) **Date of Patent:** **** Jun. 5, 2018**

(54) **LIGHT FIXTURE**
(71) Applicant: **Orion Energy Systems, Inc.**,
Manitowoc, WI (US)
(72) Inventors: **John Scribante**, Manitowoc, WI (US);
Matthew S. Tlachac, Manitowoc, WI
(US); **Scott A. Green**, Ponte Vedra
Beach, FL (US); **Brandon J. King**,
Manitowoc, WI (US)
(73) Assignee: **Orion Energy Systems, Inc.**,
Manitowoc, WI (US)

3,078,366 A 2/1963 Winkler
D348,534 S 7/1994 Herst et al.
5,997,158 A 12/1999 Fischer et al.
6,059,424 A 5/2000 Kotloff
6,231,213 B1 5/2001 Schmidt et al.
6,739,734 B1 5/2004 Hulgan
6,871,983 B2 3/2005 Jacob et al.
D556,358 S * 11/2007 Santoro D26/76
D584,848 S 1/2009 Menke
D595,890 S 7/2009 Sabernig
D617,487 S * 6/2010 Fowler, Jr. D26/76
7,758,207 B1 7/2010 Zhou et al.

(Continued)

(**) Term: **15 Years**
(21) Appl. No.: **29/595,522**
(22) Filed: **Feb. 28, 2017**

Related U.S. Application Data

(63) Continuation of application No. 29/498,034, filed on
Jul. 30, 2014, now Pat. No. Des. 780,973.

(51) **LOC (11) Cl.** **26-04**
(52) **U.S. Cl.**
USPC **D26/76**

(58) **Field of Classification Search**
USPC D26/76, 78, 79, 80, 81, 82, 83, 85, 86,
D26/88, 90, 113, 118, 119, 120, 121, 122,
D26/138, 139, 140, 141, 142, 152
CPC F21S 2/00; F21S 4/00; F21S 4/003; F21S
4/005; F21S 4/006; F21S 4/007; F21S
4/008; F21S 6/00; F21S 8/00; F21S
8/024; F21S 8/026; F21S 8/031; F21S
8/033; F21S 8/035–8/037; F21S 8/04;
F21S 8/043; F21S 8/063

See application file for complete search history.

(56) **References Cited**

U.S. PATENT DOCUMENTS

2,474,308 A * 6/1949 Franck F21S 8/04
D26/76
3,019,333 A 1/1962 Pascucci

OTHER PUBLICATIONS

International Search Report and Written Opinion for International
Application No. PCT/US2013/029301, dated May 20, 2013, 8
pages.

Primary Examiner — George D. Kirschbaum
Assistant Examiner — Natasha Vujcic
(74) *Attorney, Agent, or Firm* — Foley & Lardner LLP

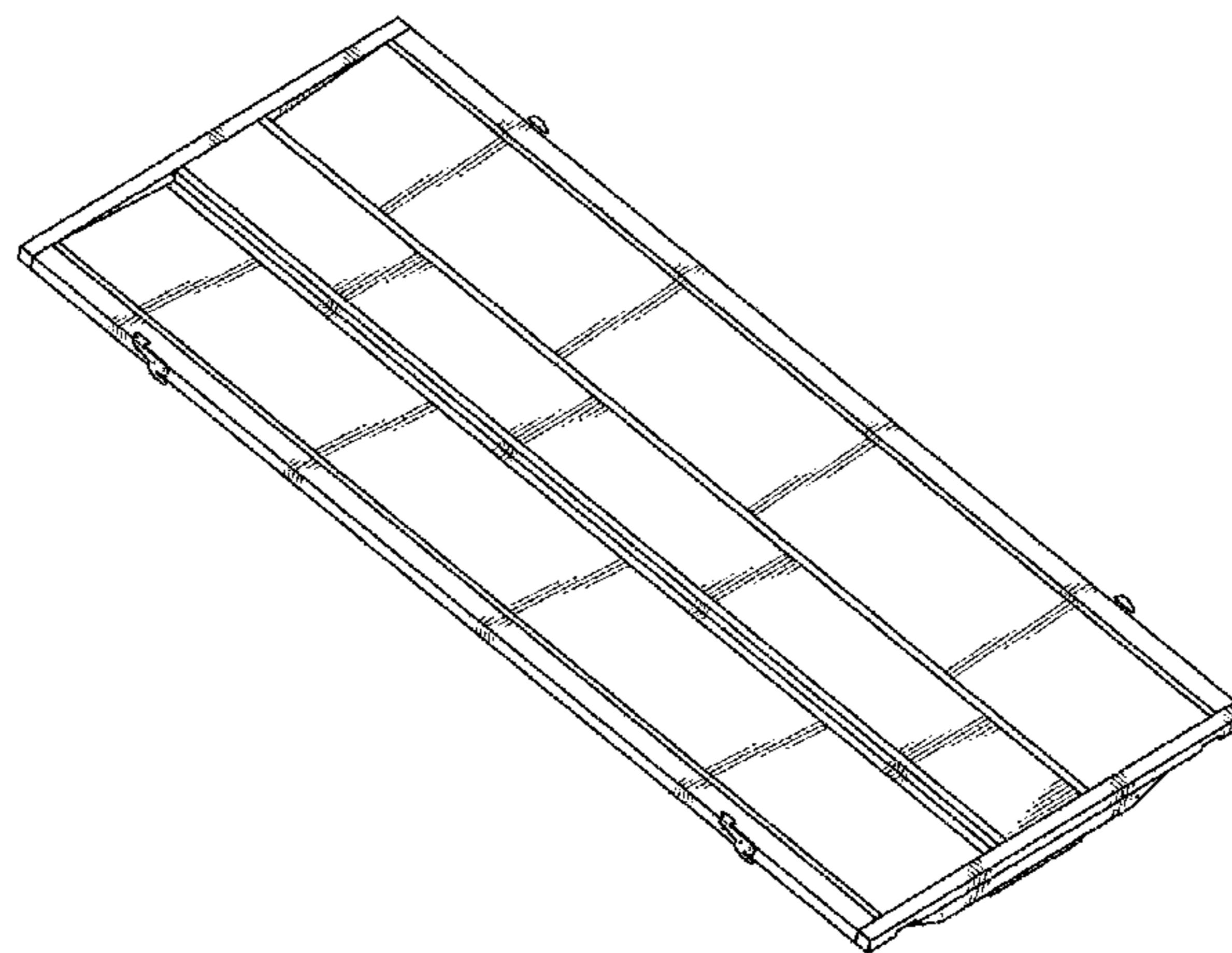
(57) **CLAIM**

We claim the ornamental design for a light fixture, as shown
and described.

DESCRIPTION

FIG. 1 is a bottom, rear, left perspective view of the claimed
design;
FIG. 2 is a bottom plan view thereof;
FIG. 3 is a top plan view thereof;
FIG. 4 is a left elevation view thereof;
FIG. 5 is a right elevation view thereof;
FIG. 6 is a front elevation view thereof; and,
FIG. 7 is a rear elevation view thereof.
The broken lines in the drawings illustrate portions of the
light fixture which forms no part of the claimed design.

1 Claim, 5 Drawing Sheets



(56)

References Cited

U.S. PATENT DOCUMENTS

7,845,824	B2	12/2010	Robotham	
D632,004	S	2/2011	Waldmann	
D645,194	S	9/2011	Budike et al.	
8,066,407	B2	11/2011	Remus et al.	
D650,509	S	12/2011	Wegger et al.	
8,092,044	B1	1/2012	Sikora	
D663,882	S	7/2012	Muraishi et al.	
8,764,216	B2	7/2014	Caferro et al.	
D716,489	S	10/2014	O'Leary et al.	
9,016,892	B1 *	4/2015	Scribante	F21V 29/763 362/222
9,052,075	B2 *	6/2015	Demuynck	F21S 9/022
D744,690	S *	12/2015	Boyer	D26/76
D749,768	S *	2/2016	Snell	D26/76
9,279,553	B1 *	3/2016	Scribante	F21S 8/026
D762,322	S *	7/2016	Scribante	D26/90
D780,363	S *	2/2017	Scribante	D26/76
D780,973	S *	3/2017	Scribante	D26/76
D780,974	S *	3/2017	Scribante	D26/76
2007/0047238	A1	3/2007	Vukosic et al.	
2008/0266843	A1	10/2008	Villard	
2009/0290348	A1	11/2009	Van Laanen et al.	
2010/0091484	A1	4/2010	Mayfield et al.	
2012/0051041	A1	3/2012	Edmond et al.	
2012/0176784	A1	7/2012	Peifer et al.	
2013/0286637	A1 *	10/2013	Lay	F21K 9/17 362/147
2015/0267873	A1	9/2015	Price et al.	
2015/0276125	A1	10/2015	Pratt et al.	
2016/0102825	A1	4/2016	Scribante et al.	
2017/0097152	A1 *	4/2017	Scribante	F21V 29/83

* cited by examiner

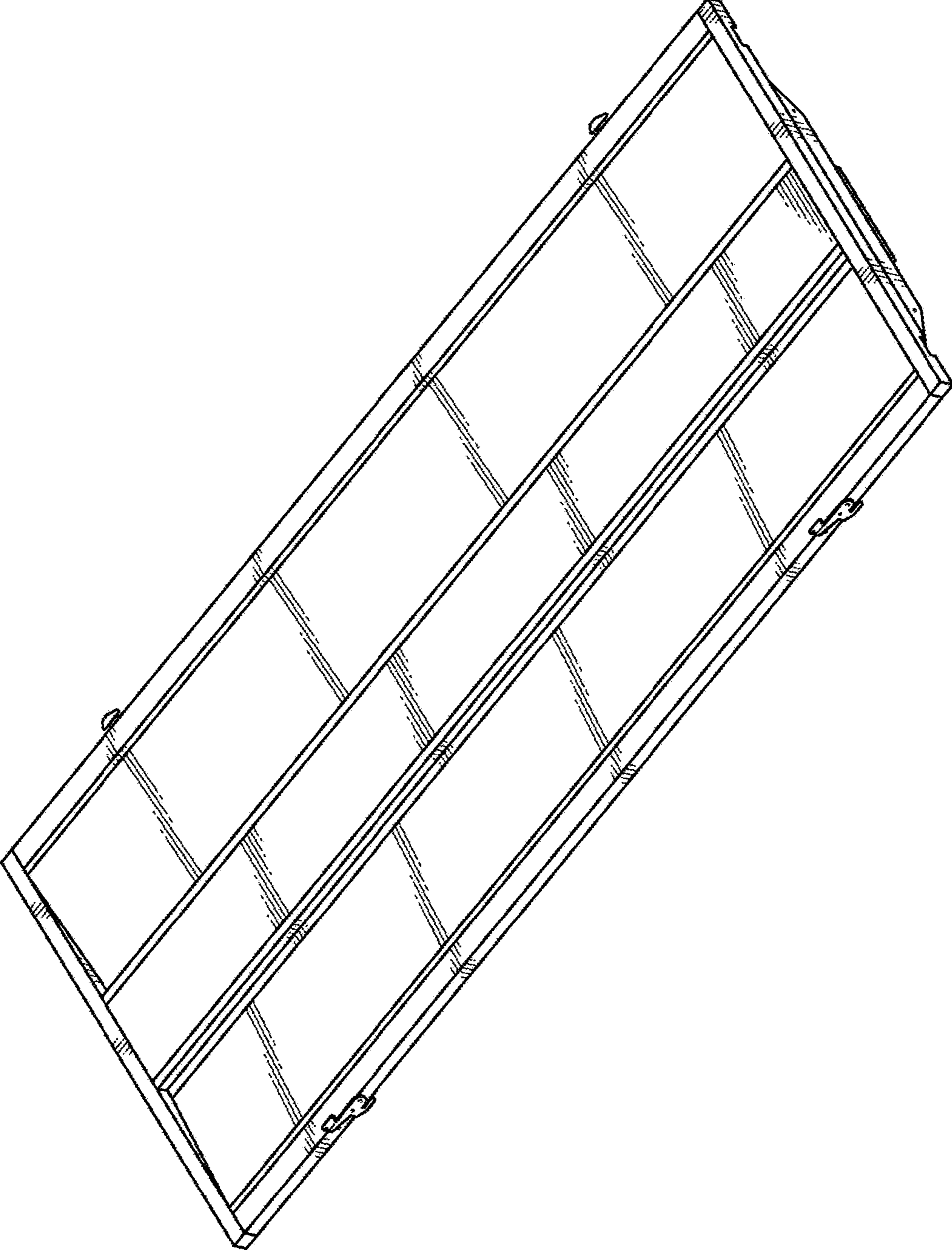


FIG. 1

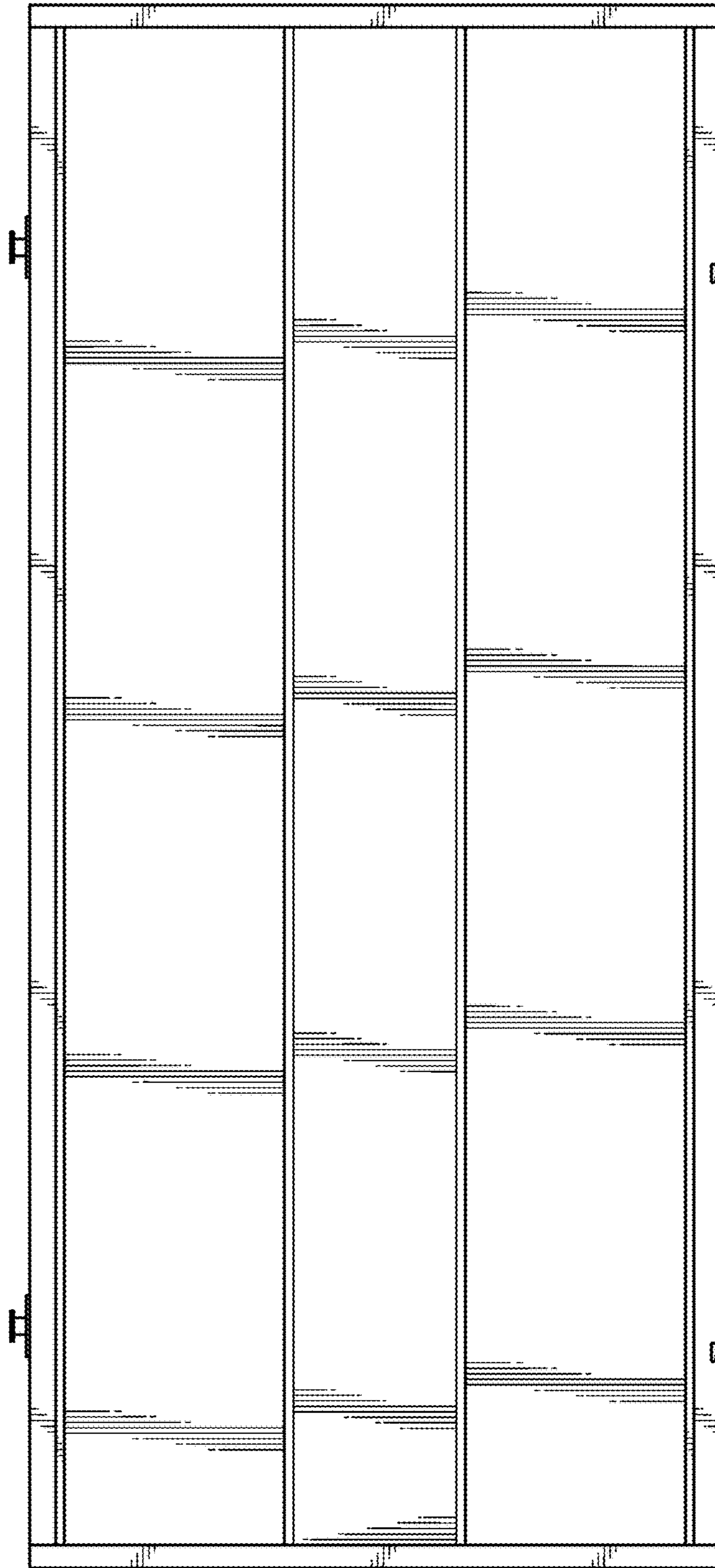


FIG. 2

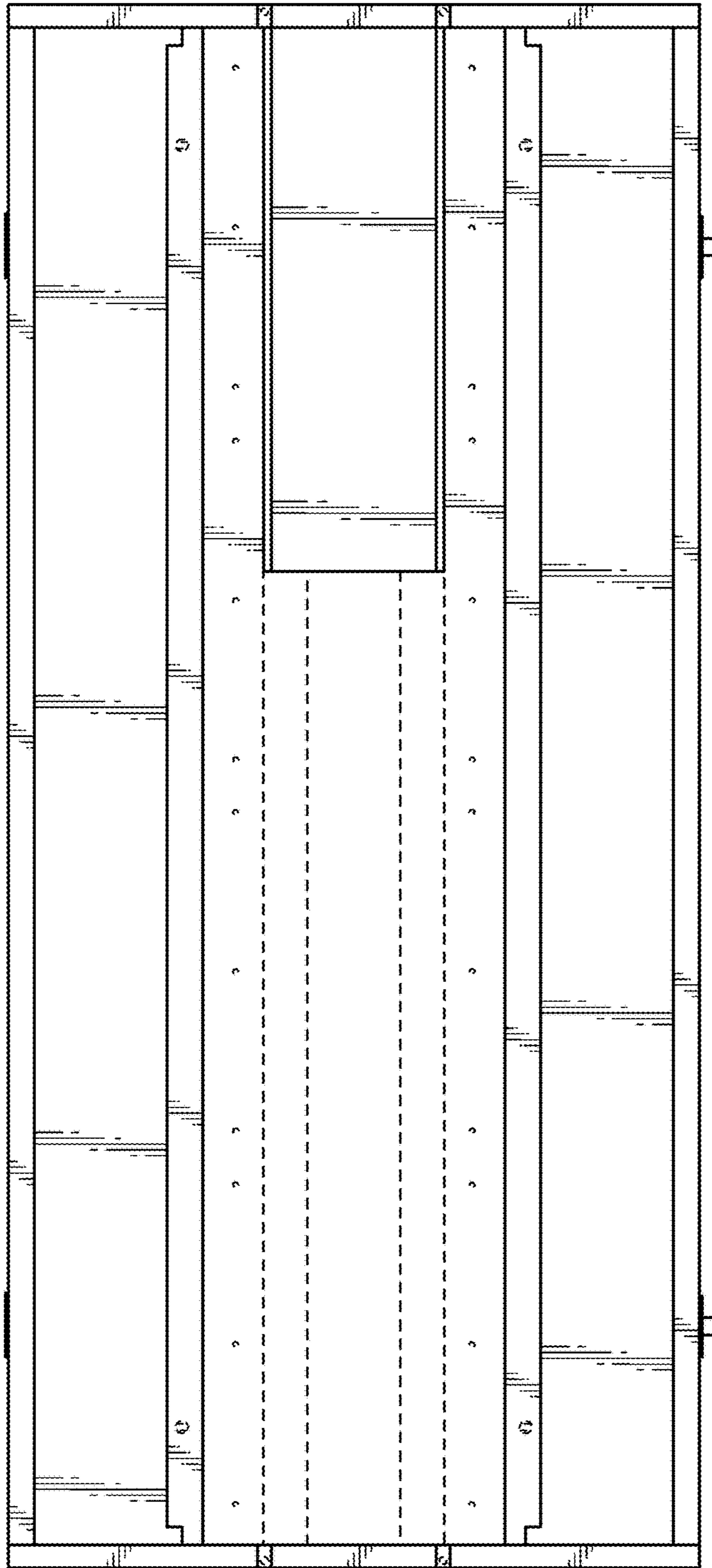


FIG. 3

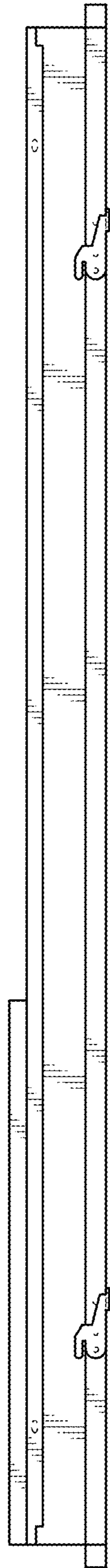


FIG. 4

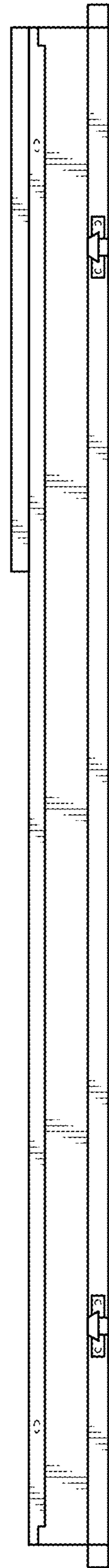


FIG. 5

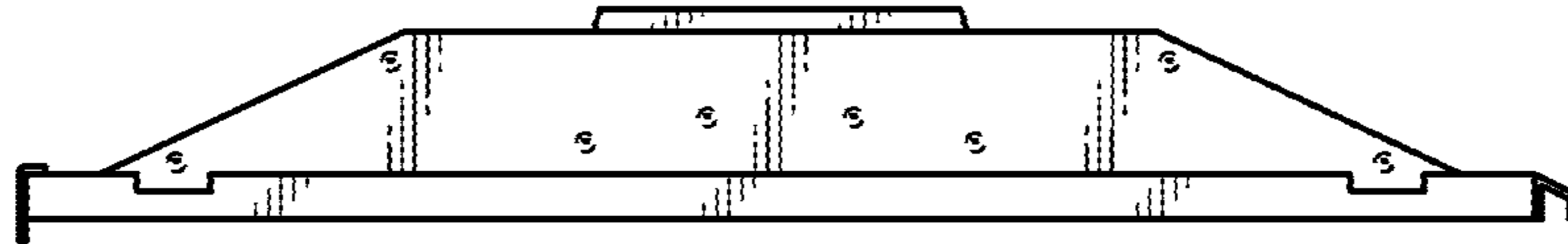


FIG. 6

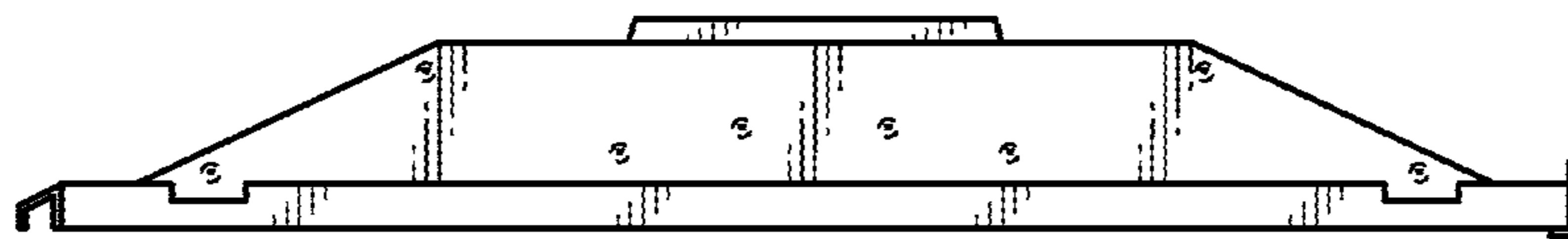


FIG. 7