



US00D819860S

(12) **United States Design Patent**
Clark

(10) **Patent No.:** **US D819,860 S**
(45) **Date of Patent:** **** Jun. 5, 2018**

- (54) **LIGHT FIXTURE**
- (71) Applicant: **3form, LLC**, Salt Lake City, UT (US)
- (72) Inventor: **Bruce Clark**, Redmond, WA (US)
- (73) Assignee: **3Form, LLC**, Salt Lake City, UT (US)
- (**) Term: **15 Years**
- (21) Appl. No.: **29/560,681**
- (22) Filed: **Apr. 8, 2016**

D101,034 S 3/1870 Glatthar et al.
 D136,518 S 3/1873 Hofstetter
 D166,671 S 8/1875 Jernigan
 1,335,613 A 3/1920 Cuno
 1,963,218 A 6/1934 Wakefield
 3,385,963 A 5/1968 Washick
 (Continued)

FOREIGN PATENT DOCUMENTS

JP 2003217332 7/2003
 JP 2011159472 8/2011
 (Continued)

Related U.S. Application Data

- (63) Continuation-in-part of application No. 14/646,232, filed as application No. PCT/US2013/070236 on Nov. 15, 2013, now Pat. No. 9,644,820, application No. 29/560,681, which is a continuation-in-part of application No. 14/912,396, filed as application No. PCT/US2014/065816 on Nov. 14, 2014, application No. 29/560,681, which is a continuation-in-part of application No. 14/767,890, filed as application No. PCT/US2015/033014 on May 28, 2015.

- (51) **LOC (11) Cl.** **26-04**
- (52) **U.S. Cl.**
USPC **D26/76**
- (58) **Field of Classification Search**
USPC D26/26, 27, 40, 42, 43, 60, 70, 72,
D26/74-84, 88-91, 104, 106, 113, 119,
D26/120, 122, 137, 135, 152, 153;
D10/111-115; D13/134; D14/473;
D25/126-135
CPC F21S 2/00; F21S 4/20; F21S 8/00; F21S
8/02; F21S 8/031; F21S 8/035; F21S
8/037; F21S 9/00; F21V 21/005; F21V
33/00
See application file for complete search history.

(56) **References Cited**

U.S. PATENT DOCUMENTS

D97,213 S 11/1869 Stone
 D101,033 S 3/1870 Glatthar et al.

OTHER PUBLICATIONS

Modern Two-Tier LED Chandelier (available online Sep. 22, 2015) Retrieved from the internet Jun. 2, 2017, retrieved from the internet URL: https://www.amazon.com/VONN-VMC31710SW-Two-Tier-Chandelier-Adjustable/dp/B0150G4J8S/ref=pd_sbs_60_2?encoding=UTF8&pd_rd_i=B0150G4J8S&pd_rd_r=9GZ57EM9VFSJZMQW1ERC&pd_rd_w=XsCRS&pd_rd_wg=VbWDy&psc=1&refRID=9GZ57EM9VFSJZ.*
 (Continued)

Primary Examiner — Garth Rademaker
Assistant Examiner — Richard Kearney
 (74) *Attorney, Agent, or Firm* — Workman Nydegger

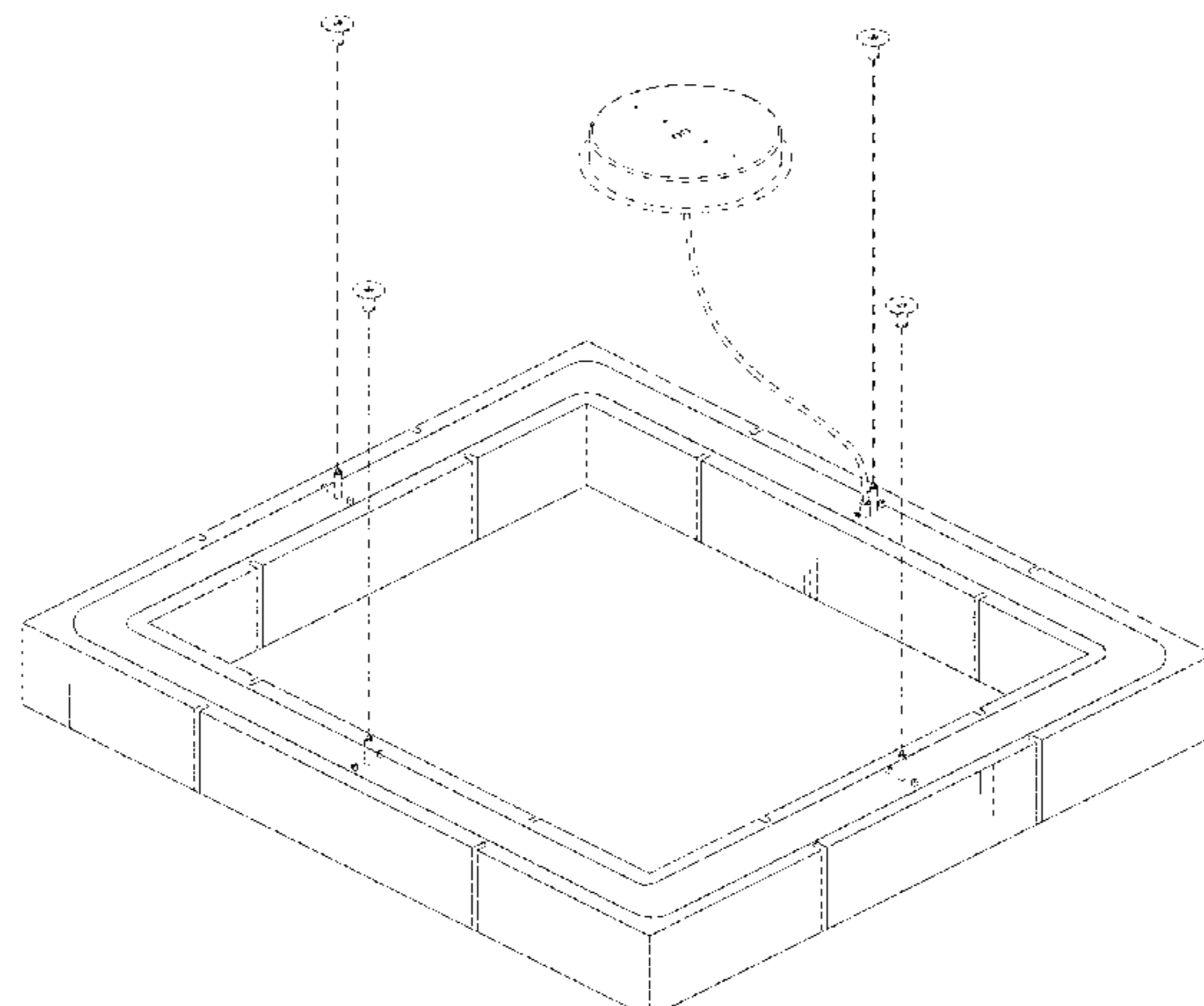
(57) **CLAIM**

The ornamental design for a light fixture, as shown and described.

DESCRIPTION

FIG. 1 is a top perspective view of a light fixture;
 FIG. 2 is a bottom perspective view thereof;
 FIG. 3 is a top plan view thereof;
 FIG. 4 is a bottom plan view thereof;
 FIG. 5 is a front elevation view thereof; and,
 FIG. 6 is a side elevation view thereof.
 The broken lines depicted in FIGS. 1-6 illustrate portions of the light fixture that form no part of the claimed design.

1 Claim, 5 Drawing Sheets



(56)

References Cited

U.S. PATENT DOCUMENTS

D264,136 S 4/1982 Castiglioni
 4,555,114 A 11/1985 Dozier
 4,716,671 A 1/1988 Gross
 4,726,781 A 2/1988 Bernhart
 4,799,526 A 1/1989 Reeves
 5,226,724 A 7/1993 Kanarek
 D338,620 S 8/1993 Brozowski
 5,282,600 A 2/1994 Weiss
 5,532,073 A 7/1996 Hirata
 5,532,912 A 7/1996 Bendit
 5,658,066 A 8/1997 Hirsch
 5,662,412 A 9/1997 Glendmyer
 D387,459 S 12/1997 Cool
 5,702,180 A 12/1997 Huang
 D391,881 S 3/1998 Youseph
 5,758,588 A 6/1998 Orfali
 5,947,786 A 9/1999 Glick
 D416,103 S 11/1999 Hashmi
 5,989,015 A 11/1999 Guerin
 6,025,549 A 2/2000 Harris
 D431,187 S 9/2000 Davis
 D432,868 S 10/2000 Tan
 D438,858 S 3/2001 del Castillo
 6,302,566 B1 10/2001 Cohon
 6,341,880 B1 1/2002 Hsu
 6,530,674 B2 3/2003 Grierson
 D508,580 S 8/2005 Norris et al.
 6,964,507 B2 11/2005 Mohacsi
 6,984,055 B2 1/2006 McCarthy
 D523,328 S 6/2006 Ramos
 D523,771 S 6/2006 Kwan
 D525,384 S 7/2006 Waycaster
 D525,738 S 7/2006 Waycaster
 D536,468 S * 2/2007 Crosby D26/84
 D541,970 S 5/2007 Blackman
 D544,006 S 6/2007 Pinchot
 D559,994 S 1/2008 Nagakubo
 D566,320 S 4/2008 Kim
 7,380,957 B2 6/2008 Lanczy
 7,504,159 B1 3/2009 Suare
 D591,444 S 4/2009 Beno et al.
 D592,793 S 5/2009 Chandler
 D595,888 S * 7/2009 Sabernig D26/84
 D596,452 S 7/2009 Komorski
 D600,394 S * 9/2009 Ambruster D26/90
 D603,083 S * 10/2009 Trumble D26/90
 D605,333 S 12/2009 Miranda
 7,766,536 B2 * 8/2010 Peifer F21S 8/00
 362/155
 D628,218 S 11/2010 Tommassini
 D641,520 S 7/2011 Grajcar
 D653,794 S 2/2012 Friedman
 D665,525 S 8/2012 Patterson
 D666,354 S 8/2012 Bracher
 D667,986 S 9/2012 Decq
 D668,371 S * 10/2012 Alpaslan D26/72
 D669,759 S 10/2012 Catilleja
 D671,676 S 11/2012 Komarov
 D676,587 S 2/2013 Fisher
 D676,996 S 2/2013 Gismondi
 D684,294 S 6/2013 Goodson
 D686,363 S 7/2013 Smith
 D687,589 S 8/2013 Wick
 8,517,845 B2 8/2013 Shin
 D692,391 S 10/2013 Kim
 D697,662 S 1/2014 Patterson
 D698,983 S 2/2014 Rampolla
 8,714,775 B2 5/2014 Bracher
 D708,391 S 7/2014 Coury
 D709,235 S 7/2014 Chu
 RE45,162 E 9/2014 Hierzer
 D716,486 S 10/2014 Martin
 D728,145 S * 4/2015 Shiqiang D26/88
 D729,437 S 5/2015 Hillstrom
 9,028,114 B2 5/2015 Smith

D744,132 S 11/2015 Hollingworth
 D745,206 S 12/2015 Clark
 D760,420 S * 6/2016 Tomlinson D26/81
 D761,478 S 7/2016 Ng
 D761,990 S 7/2016 Ng
 D761,991 S 7/2016 Clark
 D761,992 S 7/2016 Ng
 D764,095 S 8/2016 Clark
 D768,905 S 10/2016 Sonneman
 D768,906 S 10/2016 Sonneman
 D773,099 S 11/2016 Sonneman
 D774,239 S * 12/2016 Pardo D26/106
 D783,197 S * 4/2017 Arndt D26/90
 D786,481 S 5/2017 Wiedemer
 9,644,820 B2 5/2017 Clark
 D791,385 S 7/2017 Sonneman
 D791,401 S 7/2017 Sonneman
 D792,006 S 7/2017 Sonneman
 D792,633 S 7/2017 Sonneman
 D797,977 S 9/2017 Farzan
 D797,982 S 9/2017 Sonneman
 2001/0046621 A1 11/2001 Colli
 2002/0071281 A1 6/2002 Dickson
 2004/0027830 A1 2/2004 Chen
 2008/0314944 A1 12/2008 Tsai
 2010/0149791 A1 7/2010 McCane et al.
 2011/0170294 A1 7/2011 Mier-Langner
 2012/0081919 A1 4/2012 Parker
 2013/0094225 A1 4/2013 Leichner
 2014/0022759 A1 1/2014 Li
 2014/0153257 A1 6/2014 Smith
 2014/0198494 A1 7/2014 Lextar
 2014/0334178 A1 11/2014 Zharov
 2015/0300605 A1 10/2015 Clark
 2016/0061429 A1 3/2016 Waalkes
 2016/0245488 A1 8/2016 Clark
 2016/0281940 A1 9/2016 Kim
 2017/0138561 A1 5/2017 Van Strander

FOREIGN PATENT DOCUMENTS

KR 2020100007653 7/2010
 KR 2020120007760 11/2012
 KR 101454180 10/2014
 WO 2013006790 1/2013
 WO 2013058961 4/2013
 WO 2014081621 5/2014
 WO 2015073907 5/2015
 WO 2015184156 12/2015

OTHER PUBLICATIONS

Astro D-Light LED wall Light (available online) Retrieved from the internet Jun. 2, 2017, retrieved from the internet URL: <https://www.lovelights.co.uk/led-lighting-c17/astro-d-light-led-wall-light-p22295>.
 Modern Square LED Chandelier Lighting (available Sep. 22, 2015) Retrieved Jun. 2, 2017, retrieved from URL: www.amazon.com/gp/product/B015OG45GE/ref=s9u_sim_h_gw_i2?ie=UTF8&fpl=fresh&pd_rd_i=B015OG45GE&pd_rd_r=3QBWXQC8P09KNK1G7NE0 & pd_rd_w=1AaTp &pd_rd_wg=XZcFf&pf_rd_m=ATVPDKIKX0DER&pf_rd_s=&pf_rd_r=2N3ZW4JMX0YT.
 Notice of Allowance for U.S. Appl. No. 29/560,673 dated Nov. 13, 2017.
 Office Action in U.S. Appl. No. 15/076,852 dated Jun. 2, 2017.
 Office Action in U.S. Appl. No. 29/560,673 dated May 10, 2017.
 Light art (available online Oct. 21, 2013) Retrieved from the internet Mar. 16, 2017, retrieved from the internet URL: www.youtube.com (search "Lightart.com").
 Tin eye reference (available online Oct. 8, 2014) Retrieved from the internet Mar. 23, 2017, retrieved from the internet URL: <https://tineye.com/search/cb9bd08581564e1b2247fa8b78f73b92f57cc422/> Reference internet site URL: <https://www.architonic.com/en/product/henge-light-ring-medium/1149533>.

(56)

References Cited

OTHER PUBLICATIONS

Ring shade 32 LED Pendant (available online Mar. 28, 2015) Retrieved from the internet Apr. 8, 2017, retrieved from the internet URL: <https://web-beta.archive.org/web/20150328234600/http://www.sonnemanawayofflight.com/ringshade32ledpendant-p-922.html>.

Light in the Box (available online Dec. 30, 2014) Retrieved from the internet Mar. 16, 2017, retrieved from the internet URL: https://www.amazon.com/LightInTheBox-RingHome-Chandeliers-Lighting-110-120V/dp/B00RL1N79W/ref=pd_bxgy_60_img_3?encoding=UTF8&pd_rd_i=B00RL1N79W&pd_rd_r=0K15VB464BCF6J7RV59C&pd_rd_w=3rhz3&pd_rd_wg=r7IJv&psc=1&refRID=0K15VB4.

International Search Report & Written Opinion for application No. PCT/US14/65816 dated Feb. 19, 2015.

International Search Report & Written Opinion for application No. PCT/US2015/033014 dated Sep. 8, 2015.

International Search Report & Written Opinion for application No. PCT/US2013/070236 dated Mar. 11, 2014.

Office Action in U.S. Appl. No. 14/767,890 dated May 12, 2017.

Office Action in U.S. Appl. No. 14/646,232 dated Dec. 15, 2016.

Ex Parte Quayle Action for U.S. Appl. No. 29/481,765 dated May 9, 2016.

Ex Parte Quayle Action for U.S. Appl. No. 29/545,539 dated May 23, 2016.

Office Action for U.S. Appl. No. 29/481,765 dated Oct. 16, 2015.
Requirement for Restriction for U.S. Appl. No. 29/530,073 dated May 30, 2017.

Office Action for U.S. Appl. No. 14/646,232 dated May 2, 2016.

Notice of Allowance for U.S. Appl. No. 15/076,852 dated Oct. 11, 2017.

Non-Final Office Action for U.S. Appl. No. 29/530,073 dated Sep. 1, 2017.

Non-Final Office Action for U.S. Appl. No. 14/912,396 dated Dec. 29, 2017.

Final Office Action for U.S. Appl. No. 14/767,890 dated Dec. 29, 2017.

Non-Final Office Action for U.S. Appl. No. 29/560,686 dated Jan. 9, 2018.

The807, (Feb. 5, 2014), [online], [site visited Jan. 4, 2018]. Available from internet <URL: Retrieved from <https://www.etsy.com/uk/listing/176582577/triangle-shadow-box-set-of-3?ref=related-2>>.

Non-Final Office Action for U.S. Appl. No. 29/560,688 dated Jan. 9, 2018.

EONeyeofnature. (Jan. 5, 2015), [online], [site visited Jan. 4, 2018]. Available from internet, <URL: Retrieved from https://www.etsy.com/uk/listing/217343723/set-of-four-hexagon-honeycomb-shelves-in?show_sold_out_detail=1>.

Search Report for application No. GB1715859.3 dated Mar. 8, 2018.

* cited by examiner

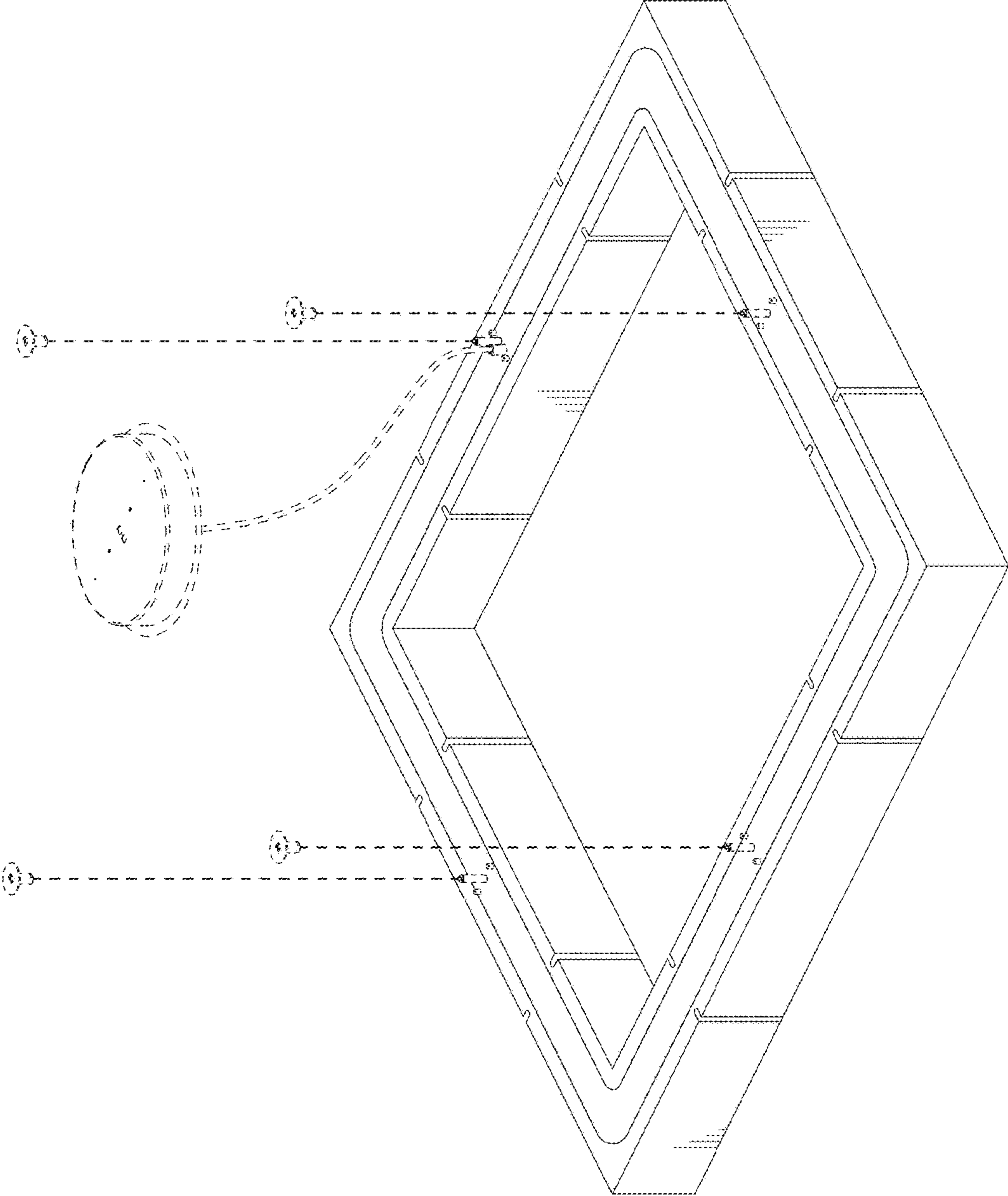


FIG. 1

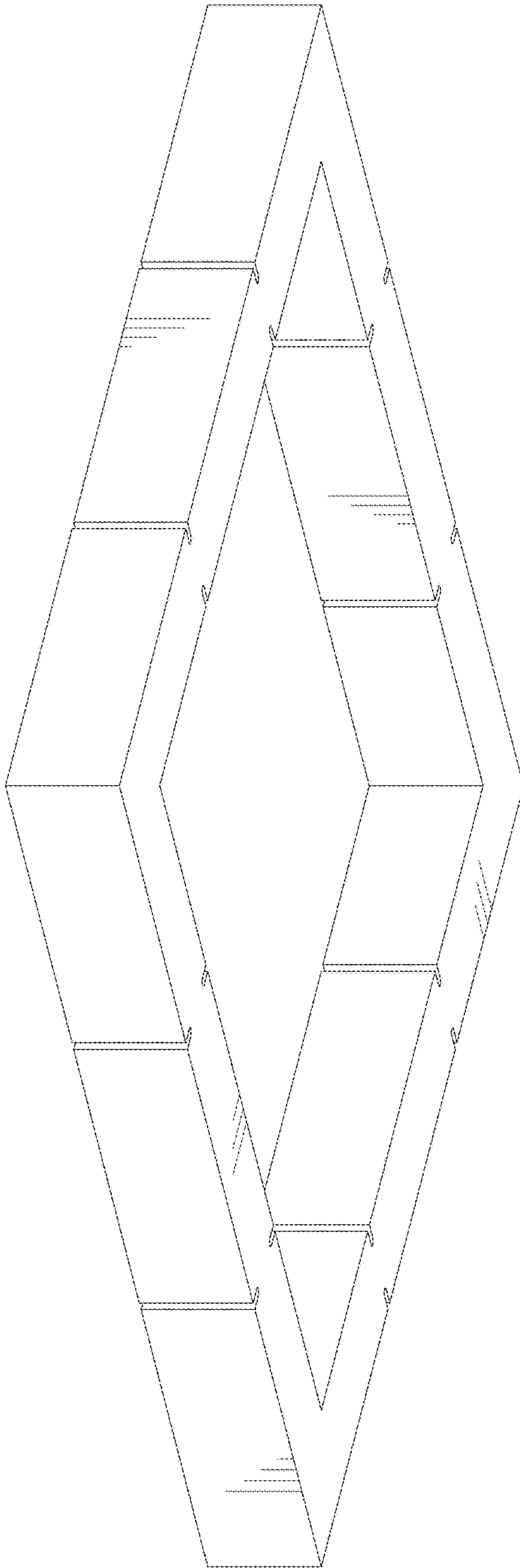


FIG. 2

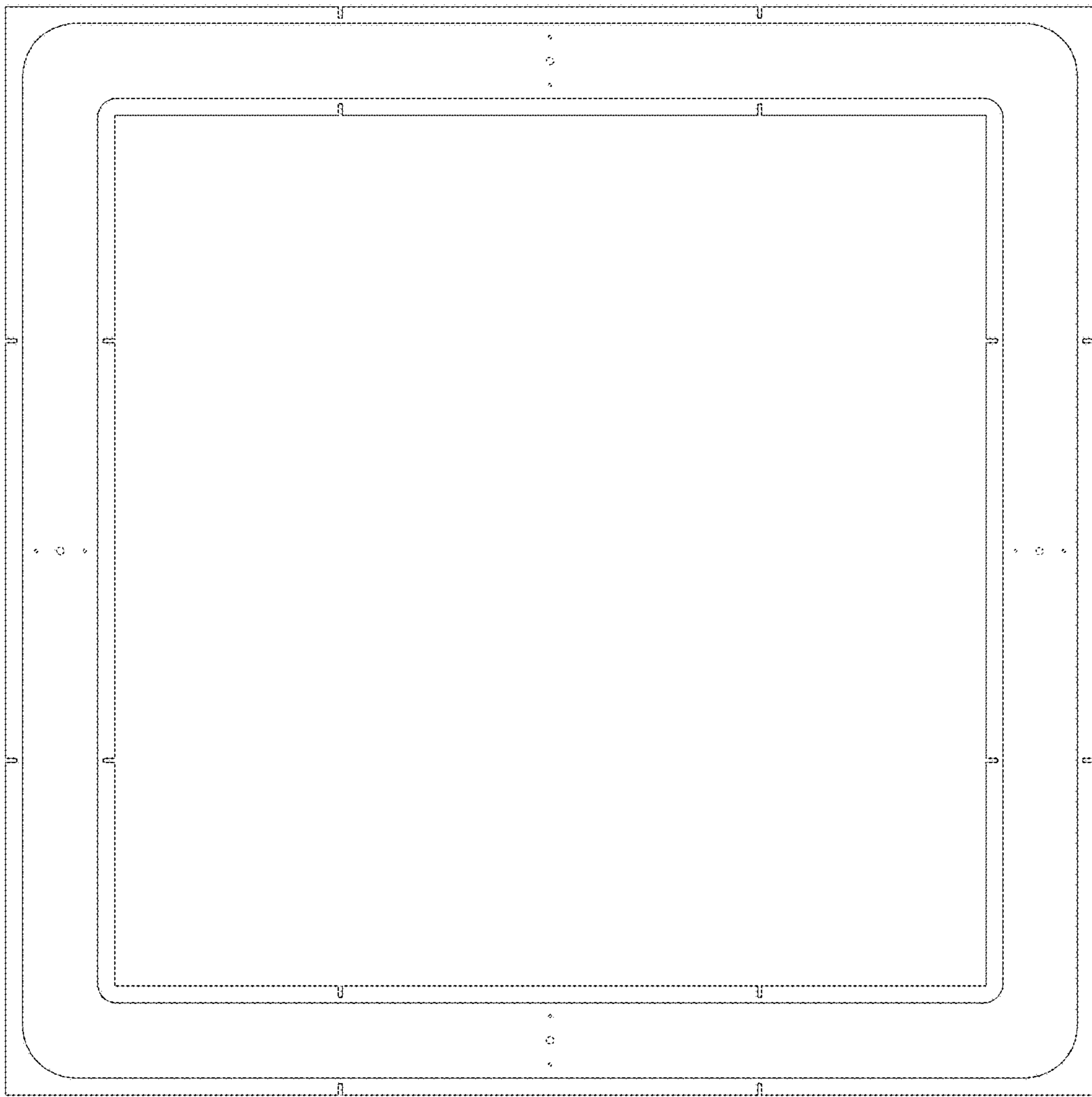
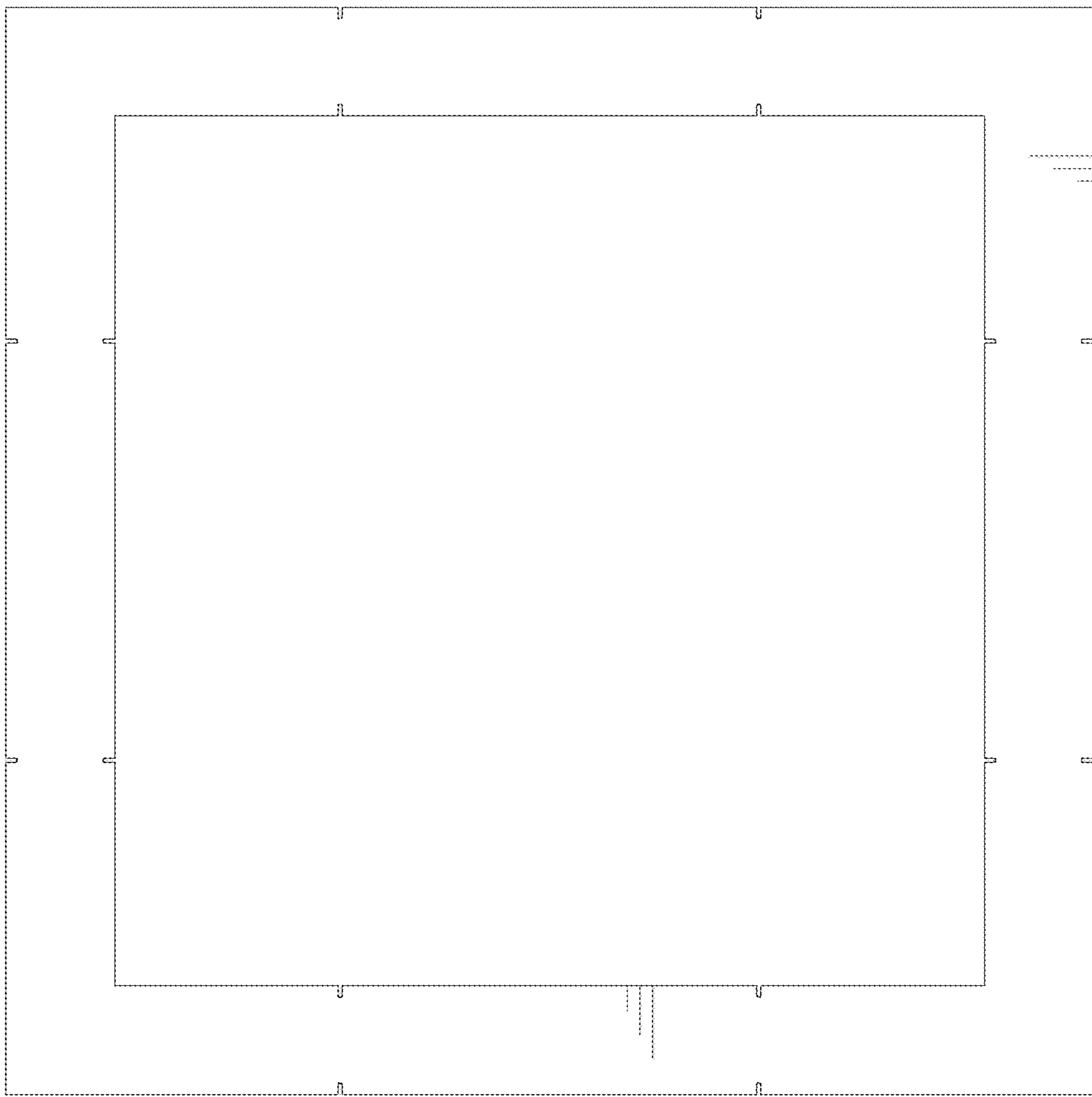


FIG. 3

FIG. 4



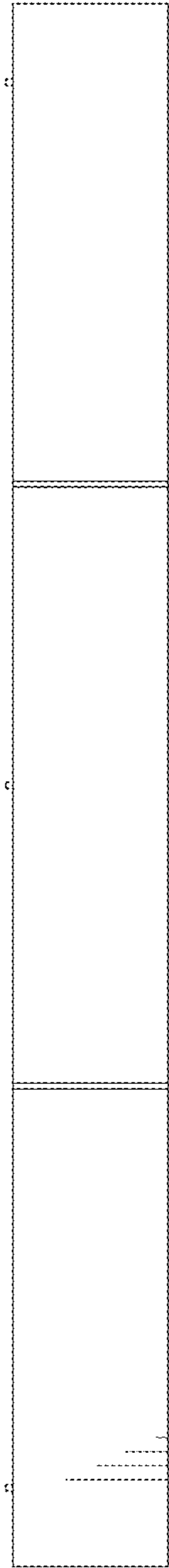


FIG. 5

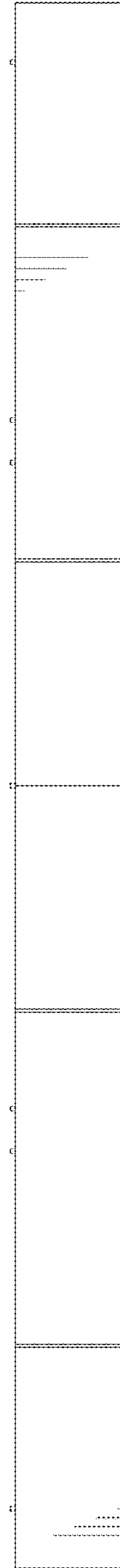


FIG. 6