



US00D819858S

(12) **United States Design Patent**
Obeso et al.

(10) **Patent No.:** **US D819,858 S**

(45) **Date of Patent:** **** Jun. 5, 2018**

(54) **LIGHT FIXTURE**

(71) Applicants: **Joaquin J. Obeso**, Miami, FL (US);
Craig A. Klomprens, Ft. Lauderdale,
FL (US)

(72) Inventors: **Joaquin J. Obeso**, Miami, FL (US);
Craig A. Klomprens, Ft. Lauderdale,
FL (US)

(**) Term: **15 Years**

(21) Appl. No.: **29/571,366**

(22) Filed: **Jul. 18, 2016**

(51) **LOC (11) Cl.** **26-05**

(52) **U.S. Cl.**
USPC **D26/69**; D26/63

(58) **Field of Classification Search**
USPC D26/67-71, 87, 92, 118
CPC F21S 8/032; F21S 8/08; F21S 8/081; F21S
8/083; F21S 8/085; F21S 8/088; F21S
6/004; F21S 9/03; F21S 9/032; F21S
9/035; F21S 9/037; F21S 13/10; F21W
2131/10; F21W 2131/107; F21W
2131/109; F21W 2111/023; F21V
21/0824; F21V 7/041

See application file for complete search history.

(56) **References Cited**

U.S. PATENT DOCUMENTS

| | | | | |
|--------------|---------|------------|-------|--------|
| D329,101 S * | 9/1992 | Landefeld | | D26/68 |
| D407,842 S * | 4/1999 | Landefeld | | D26/63 |
| D417,520 S * | 12/1999 | Landefeld | | D26/68 |
| D438,322 S * | 2/2001 | Skradski | | D26/68 |
| D444,584 S * | 7/2001 | Landefeld | | D26/67 |
| D469,557 S * | 1/2003 | DiPasquale | | D26/67 |
| D571,494 S * | 6/2008 | Friedman | | D26/67 |

| | | | | |
|--------------|---------|-------|-------|--------|
| D578,694 S * | 10/2008 | Zeng | | D26/67 |
| D632,414 S * | 2/2011 | Croce | | D26/63 |
| D694,933 S * | 12/2013 | Meyer | | D26/67 |
| D765,296 S * | 8/2016 | Wei | | D26/60 |

OTHER PUBLICATIONS

“Evergaldes” Dual-Source Directional Light Fixture Model#489900 Specification Sheet from Dauer Lampen. From DauerLED.com, visited Mar. 2, 2018. (Year: 2018).*

“Savannah” Directional Light Fixture Model#489901 Specification Sheet from Dauer Lampen. From DauerLED.com, visited Mar. 2, 2018. (Year: 2018).*

* cited by examiner

Primary Examiner — Clare E Heflin

(74) *Attorney, Agent, or Firm* — Malloy & Malloy, PL

(57) **CLAIM**

The ornamental design for a light fixture, as shown and described.

DESCRIPTION

FIG. 1 is a front perspective view of the light fixture showing our new design;

FIG. 2 is a front elevation view thereof;

FIG. 3 is a left side elevation view thereof;

FIG. 4 is a top plan view thereof;

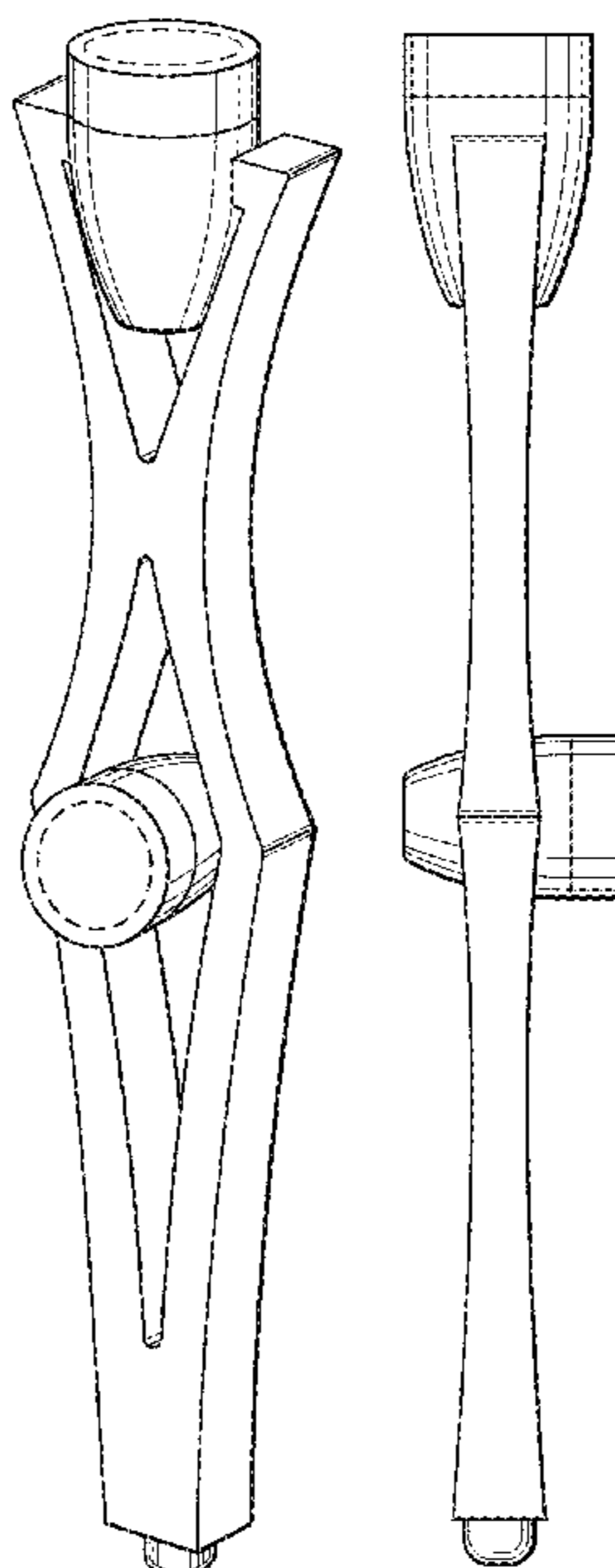
FIG. 5 is a left side elevation view thereof;

FIG. 6 is a bottom plan view thereof; and,

FIG. 7 is a rear elevation view thereof.

The broken lines shown on the drawings depict portions of the light fixture that form no part of the claimed design.

1 Claim, 6 Drawing Sheets



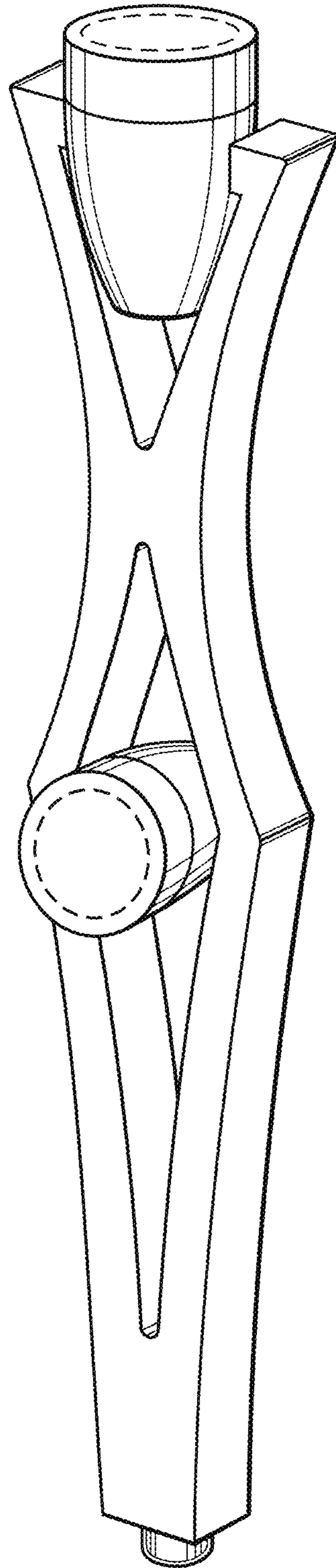


FIG. 1

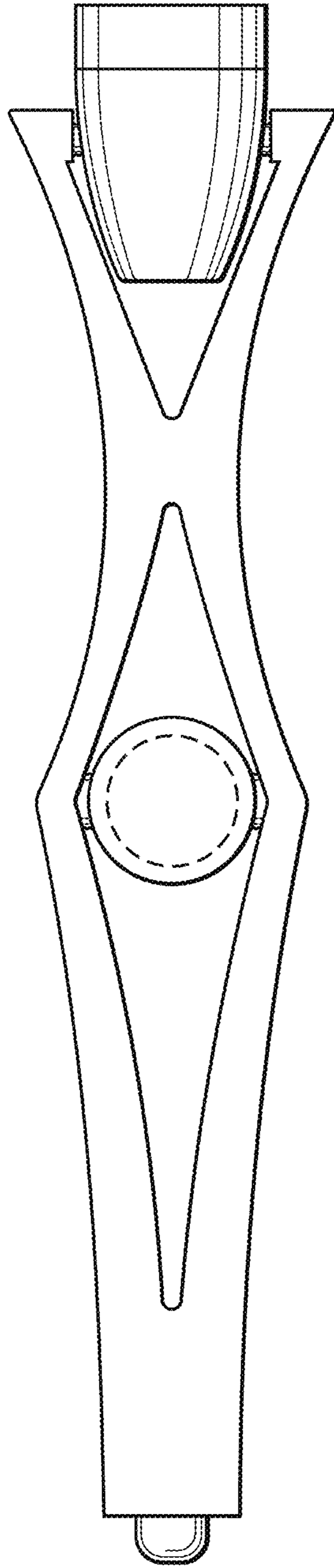


FIG. 2

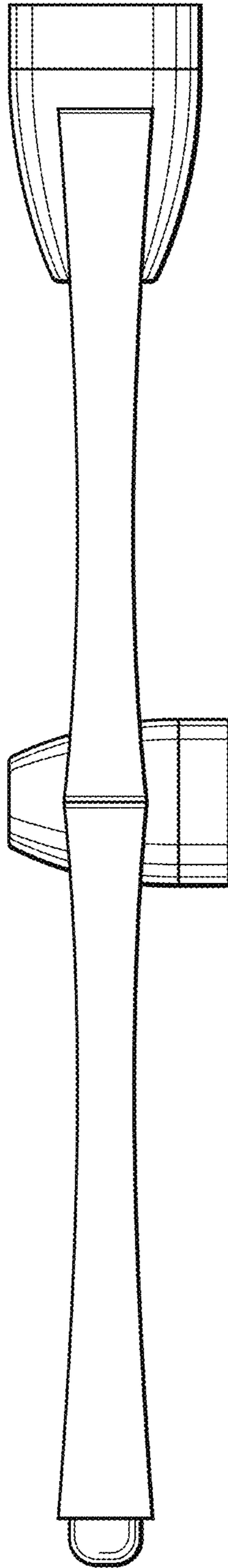


FIG. 3

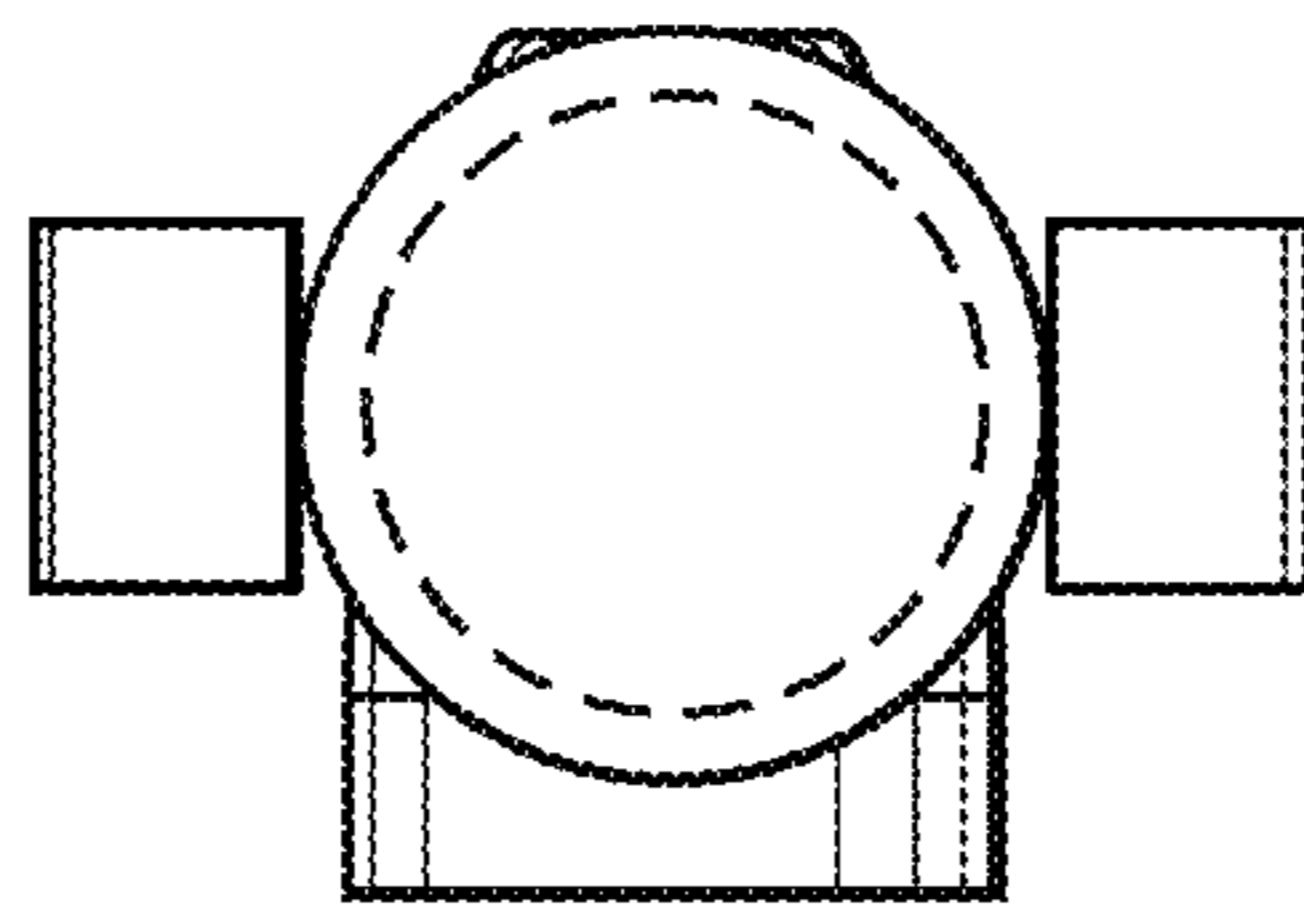


FIG. 4

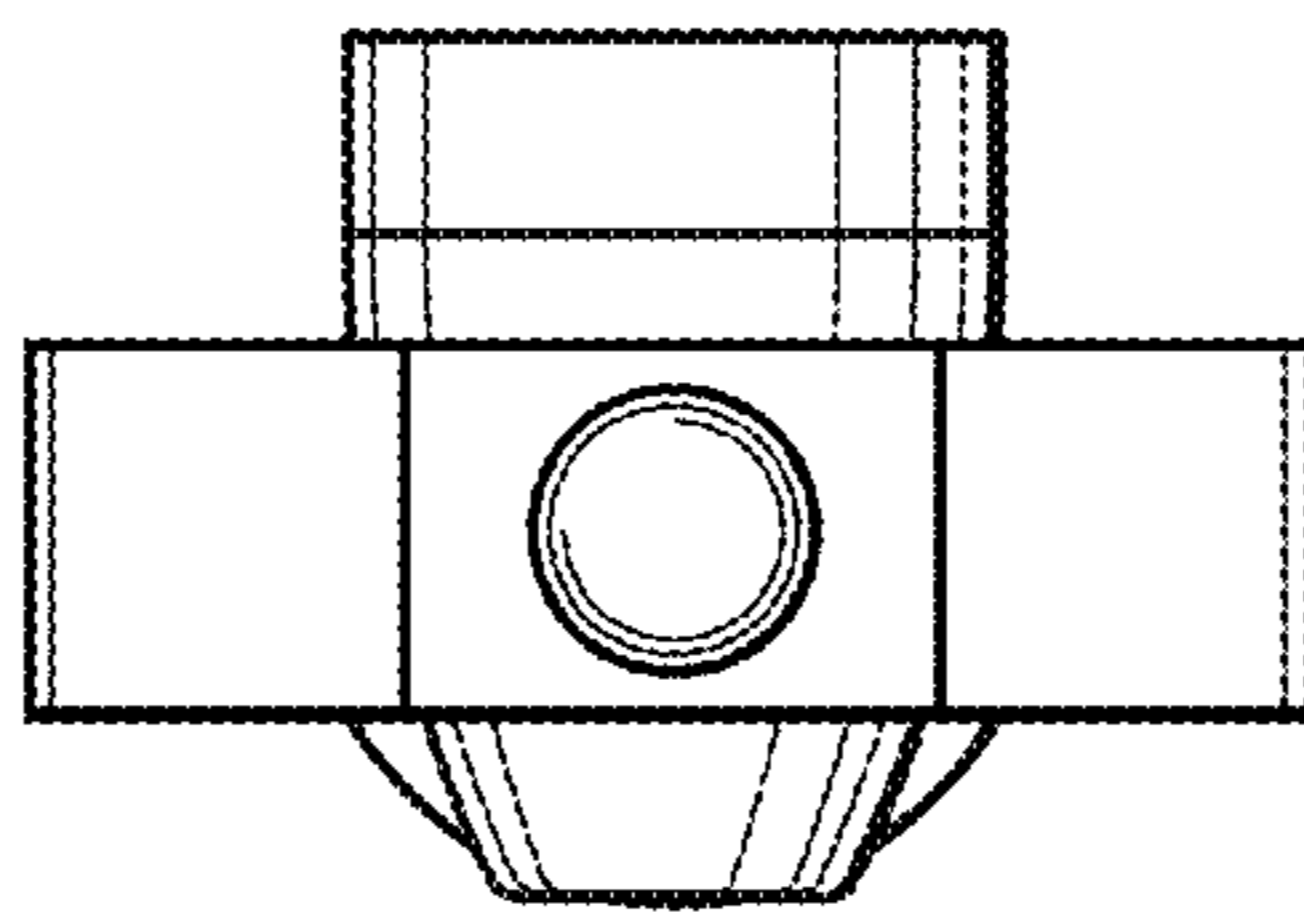


FIG. 6

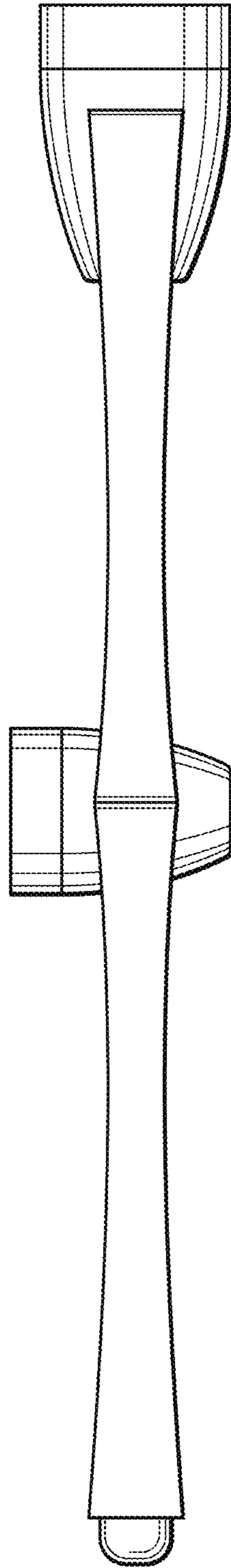


FIG. 5

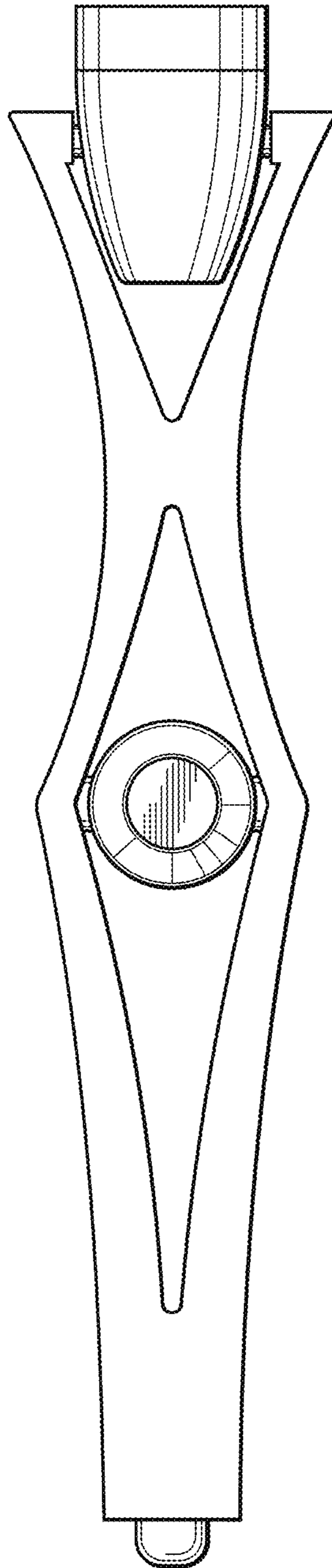


FIG. 7