



US00D819856S

(12) **United States Design Patent**  
**Gelman**

(10) **Patent No.:** **US D819,856 S**

(45) **Date of Patent:** **\*\* Jun. 5, 2018**

(54) **ADJUSTABLE MULTI-HEAD FLOOR LAMP**

(71) Applicant: **Evolution Lighting, LLC**, Miami  
Lakes, FL (US)

(72) Inventor: **Alexis Gelman**, Fort Mill, SC (US)

(73) Assignee: **EVOLUTION LIGHTING, LLC**,  
Pembroke Pines, FL (US)

(\*\*) Term: **15 Years**

(21) Appl. No.: **29/599,289**

(22) Filed: **Mar. 31, 2017**

(51) **LOC (11) Cl.** ..... **26-03**

(52) **U.S. Cl.**  
USPC ..... **D26/62; D26/102**

(58) **Field of Classification Search**  
USPC ..... D26/24, 61, 63, 65, 93, 62  
CPC .... F21S 6/00; F21S 6/002; F21S 6/004; F21S  
6/005; F21S 6/008; F21S 8/08; F21V  
21/02; F21V 21/14; F21W 2131/30  
See application file for complete search history.

(56) **References Cited**

**U.S. PATENT DOCUMENTS**

D370,286 S \* 5/1996 Swanson ..... D26/102  
D420,758 S \* 2/2000 Yang ..... D26/106  
D426,009 S \* 5/2000 Swanson ..... D26/65

D437,444 S \* 2/2001 Swanson ..... D26/65  
D443,092 S \* 5/2001 Lo ..... D26/65  
D737,496 S \* 8/2015 Swanson ..... D26/65  
D753,867 S \* 4/2016 Yin ..... D26/107  
D773,089 S \* 11/2016 Glass ..... F21V 14/06  
D26/62

\* cited by examiner

*Primary Examiner* — Brian N. Vinson  
(74) *Attorney, Agent, or Firm* — Greenberg Traurig, P.A.;  
Joshua R. Brown; Corinne M. LaGosh

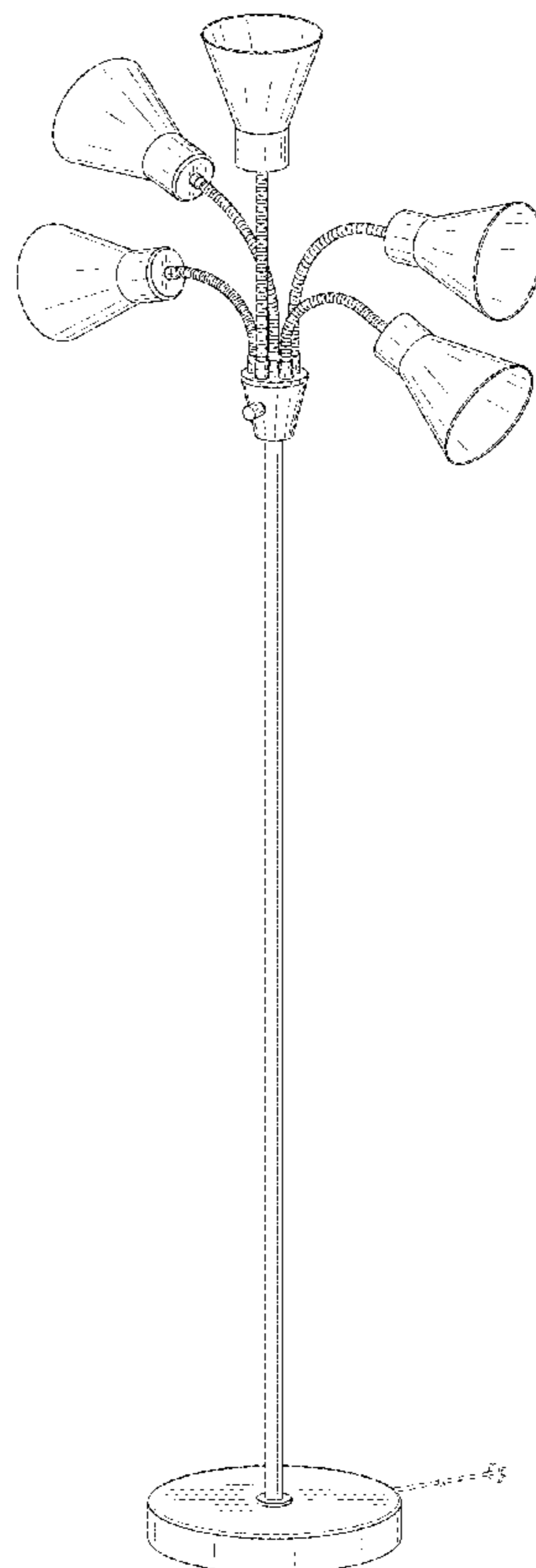
(57) **CLAIM**

The ornamental design for an adjustable multi-head floor lamp, as shown and described.

**DESCRIPTION**

FIG. 1 is a front perspective view of my adjustable multi-head floor lamp showing my new design; FIG. 2 is a front elevational view thereof; FIG. 3 is a rear elevational view thereof; FIG. 4 is a left-side elevational view thereof; FIG. 5 is a right-side elevational view thereof; FIG. 6 is a top plan view thereof; FIG. 7 is a bottom plan view thereof; FIG. 8 is a front perspective view thereof of a first alternate position of the adjustable multi-heads; FIG. 9 is a front perspective view thereof a second alternate position of the adjustable multi-heads; and, FIG. 10 is a front perspective view thereof of a third alternate position of the adjustable multi-heads.

**1 Claim, 8 Drawing Sheets**



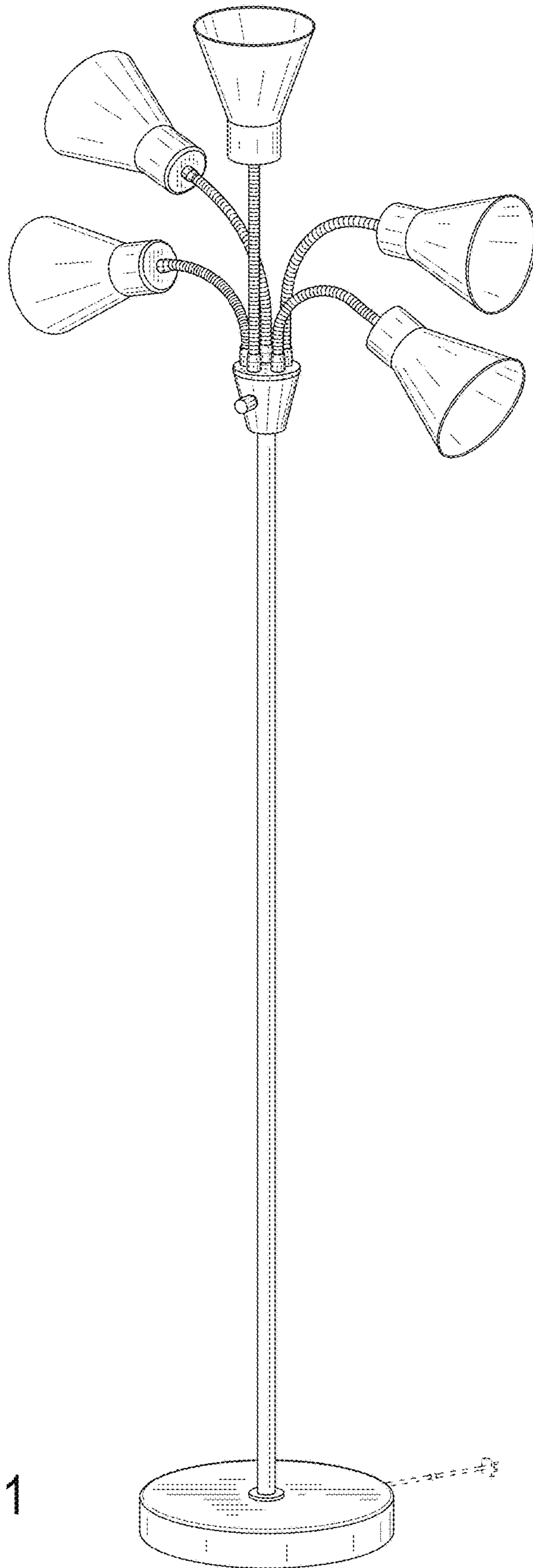


FIG. 1

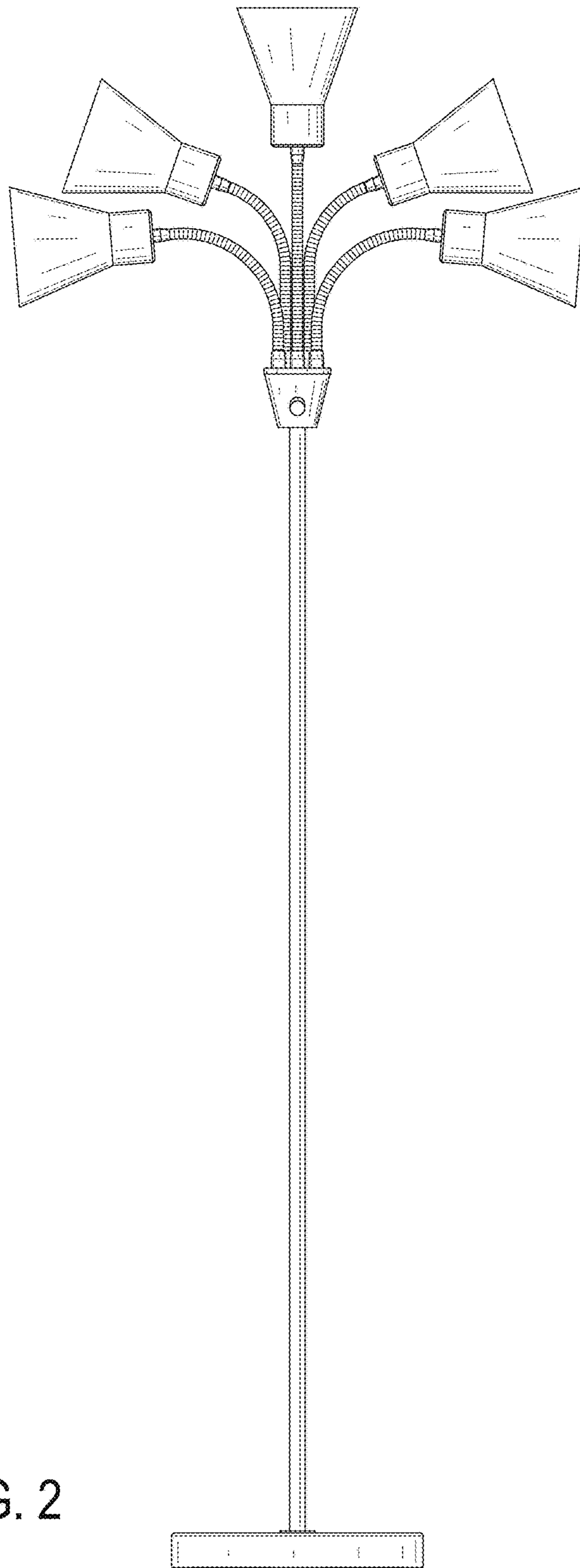


FIG. 2

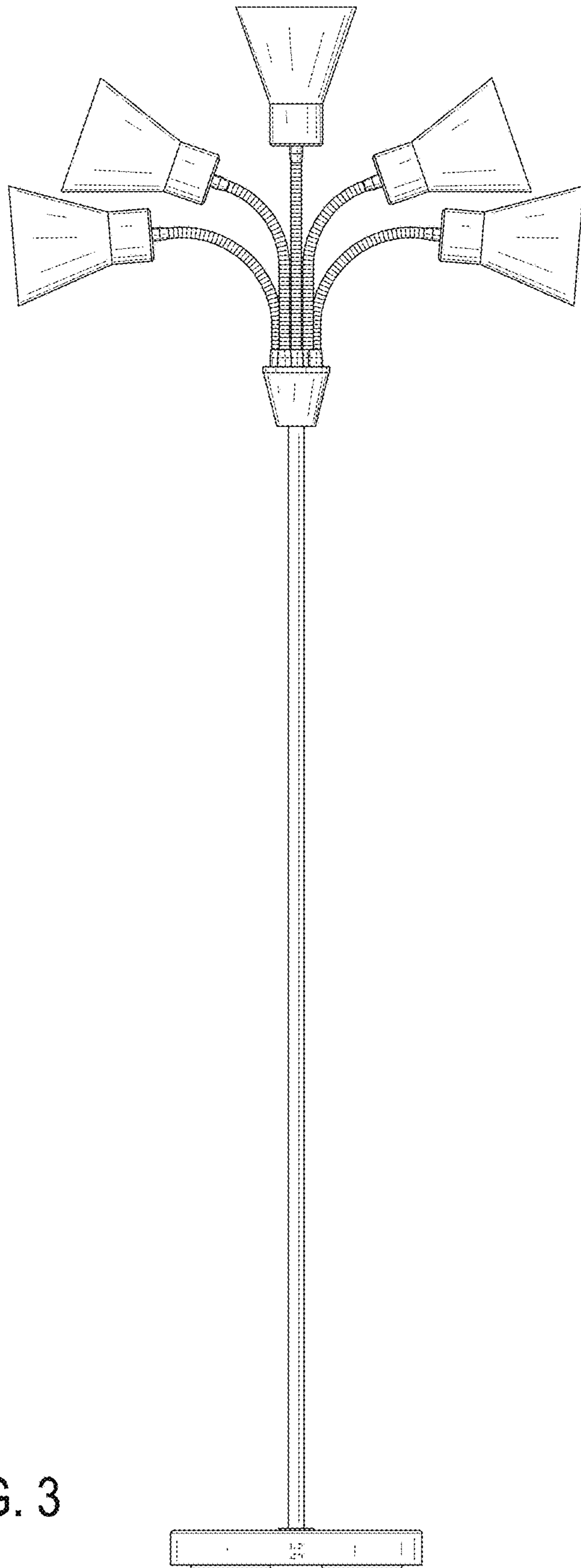


FIG. 3

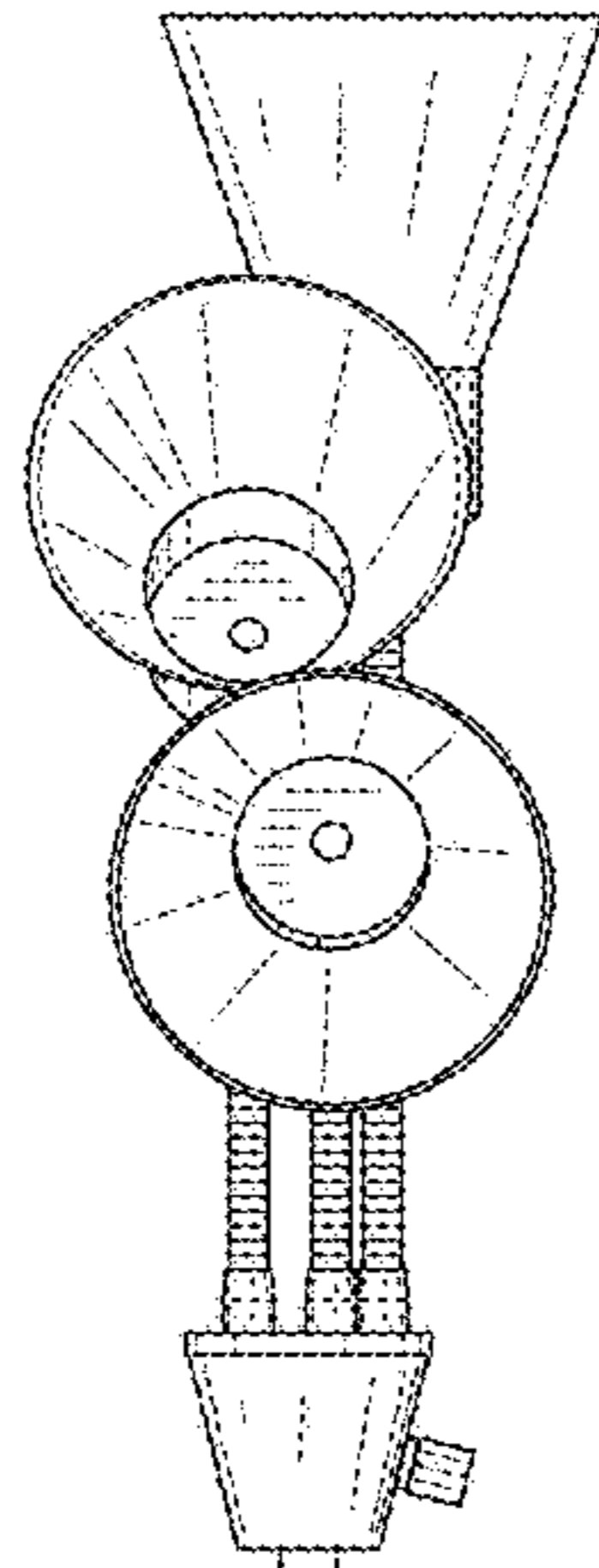


FIG. 4

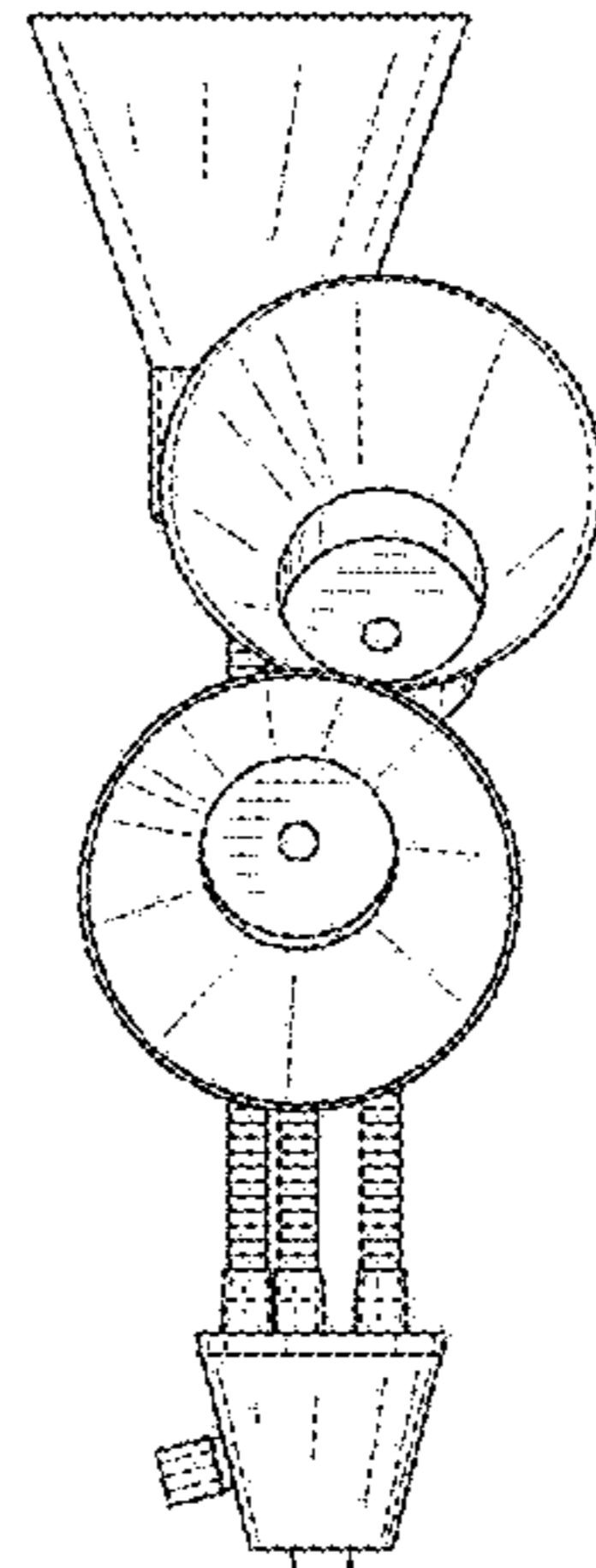
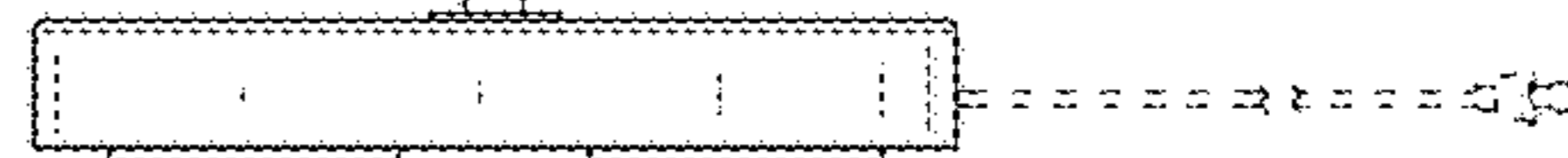
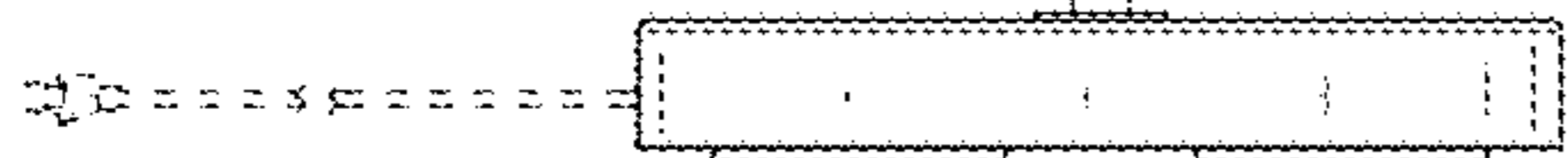


FIG. 5



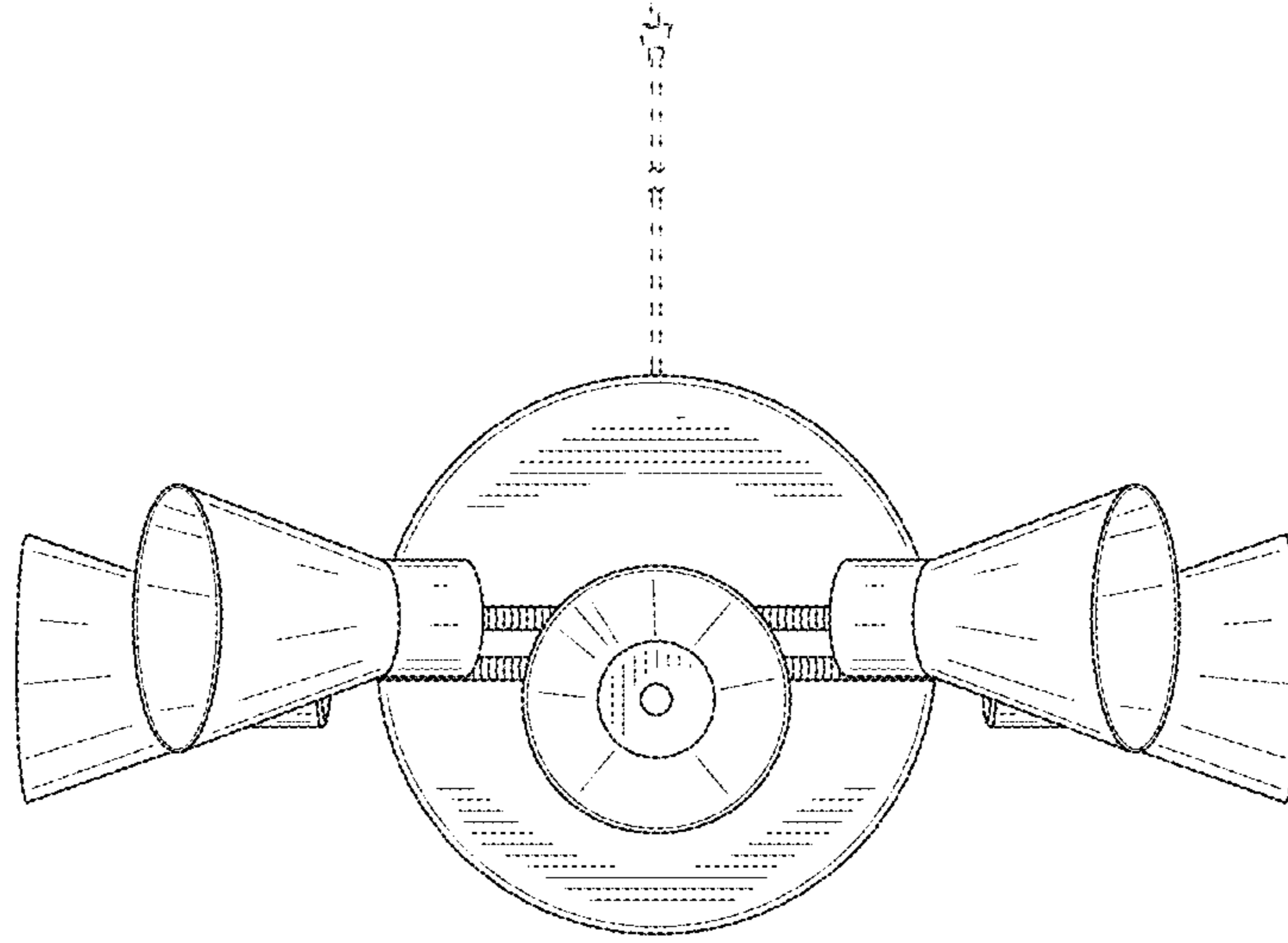


FIG. 6

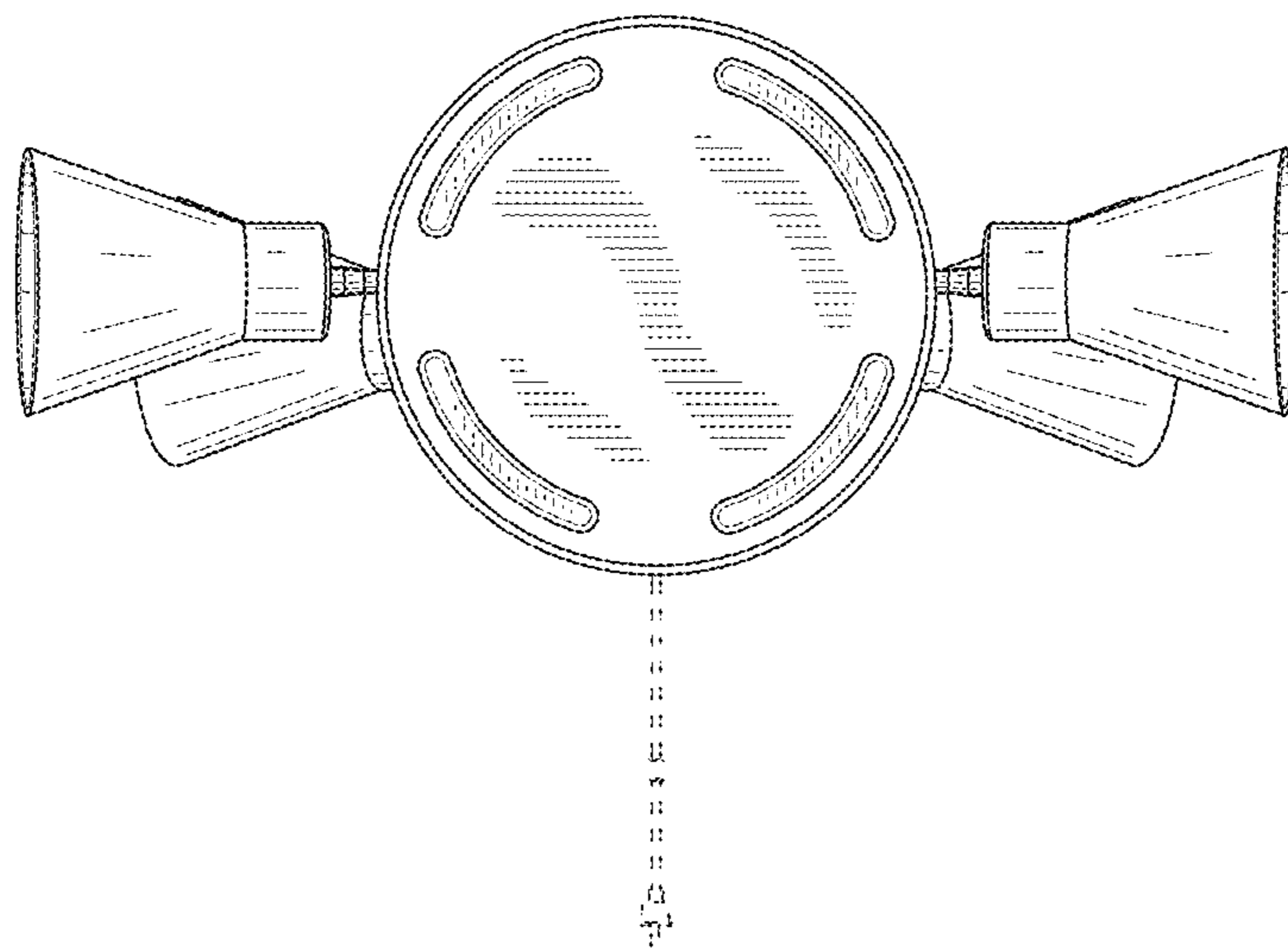


FIG. 7



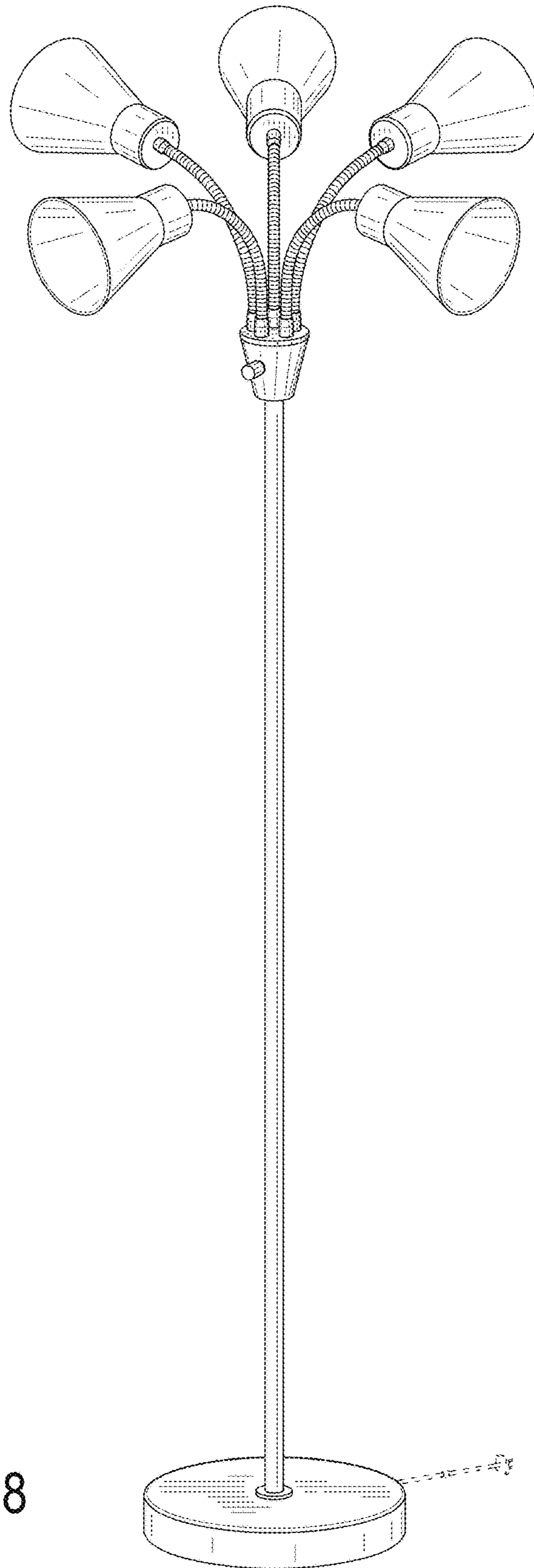


FIG. 8

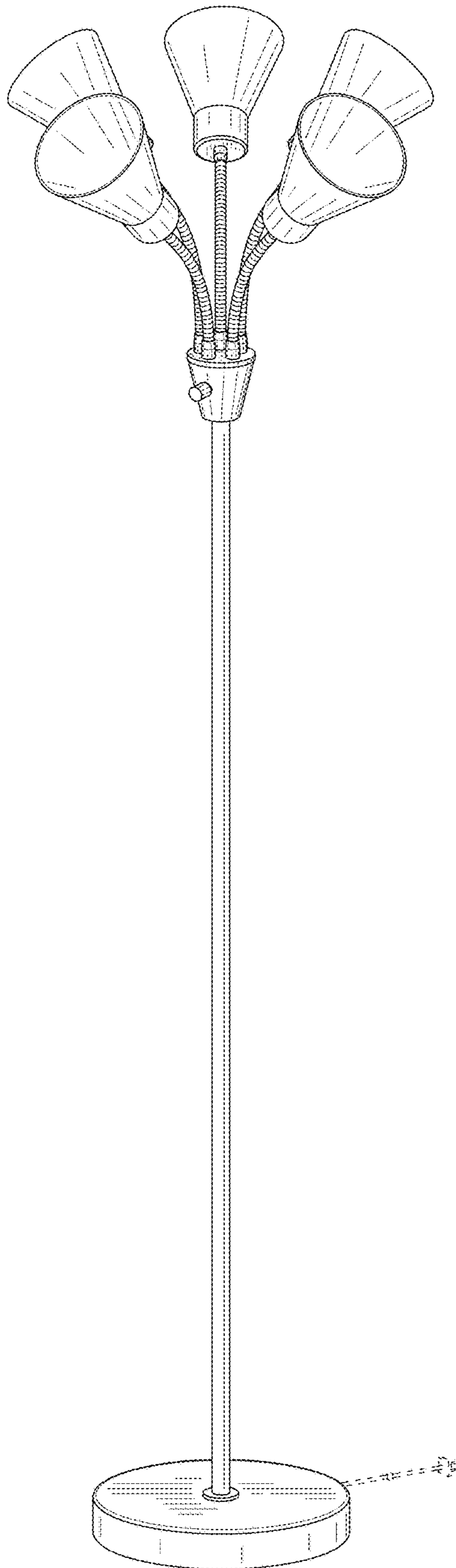


FIG. 9



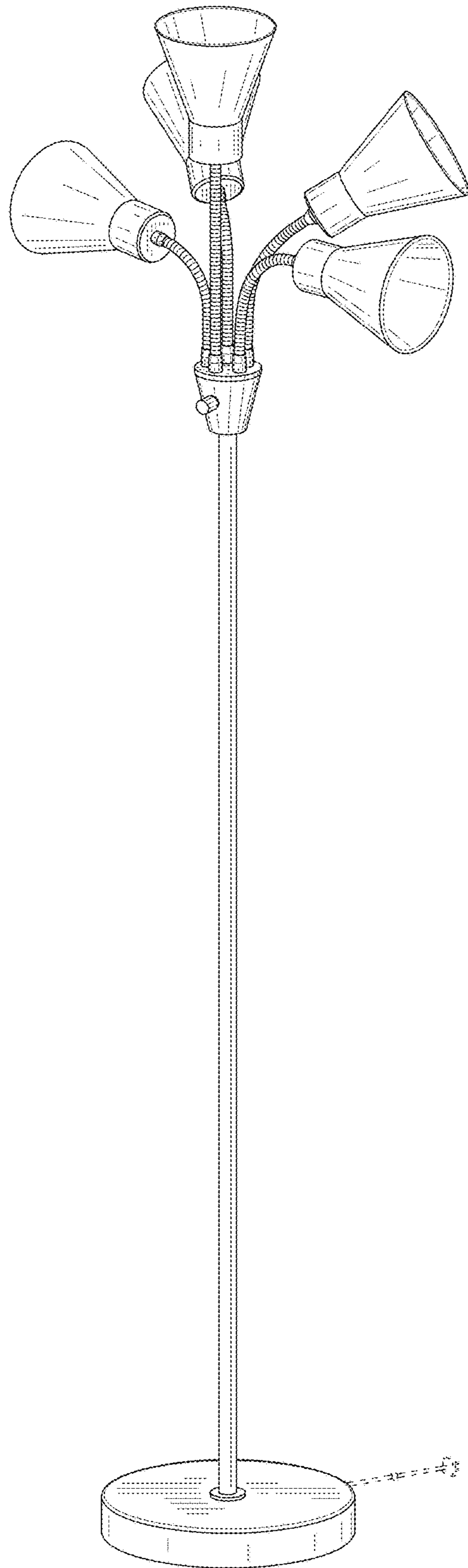


FIG. 10