



US00D819855S

(12) **United States Design Patent** (10) **Patent No.:** **US D819,855 S**
Li (45) **Date of Patent:** **** Jun. 5, 2018**

(54) **ELECTRONIC LANTERN**
(71) Applicant: **Xiaofeng Li**, Shenzhen (CN)
(72) Inventor: **Xiaofeng Li**, Shenzhen (CN)
(**) Term: **15 Years**

3,131,872 A * 5/1964 Hoenisch F21L 19/00
362/179
D389,257 S * 1/1998 Eca, Sr. D26/37
D396,891 S * 8/1998 Lam D21/483
(Continued)

(21) Appl. No.: **29/565,243**
(22) Filed: **May 18, 2016**
(51) **LOC (11) Cl.** **26-02**
(52) **U.S. Cl.**
USPC **D26/41**
(58) **Field of Classification Search**
USPC D26/40, 41, 46, 49, 36, 50, 51, 74, 123,
D26/124, 1, 2, 4, 5, 6, 22, 67, 71, 91, 96,
D26/130, 148, 149, 122; 320/110;
D13/180; 362/33, 612, 555, 18, 301;
D6/332, 641, 643, 714
CPC F21L 19/00; F21L 4/00; F21L 4/08; F21Y
2115/10; F21Y 2103/20; F21Y 2105/18;
F21Y 2107/30; A47B 83/001; A47B
87/00
See application file for complete search history.

FOREIGN PATENT DOCUMENTS

CA 2930065 A1 * 8/2016
CN 302256994 * 12/2012
(Continued)

OTHER PUBLICATIONS

WeatherRite 5572 15 LED Lantern, posted at Amazon.com, customer review and photos posted Aug. 28, 2015, © 1996-2017 Amazon.com, online, site visited Feb. 10, 2017. Available from Internet, <URL:https://www.amazon.com/WeatherRite-5572-Number-5572-Traditional-efficient/dp/B0058K3284>.*
(Continued)

Primary Examiner — Lakiya G Rogers
Assistant Examiner — Altaira J Swangin
(74) *Attorney, Agent, or Firm* — Perkins Coie LLP

(56) **References Cited**

U.S. PATENT DOCUMENTS

D42,488 S * 5/1912 McArthur, Jr. D26/41
D43,415 S * 1/1913 Betts D26/41
D44,240 S * 6/1913 Hill D26/113
D44,340 S * 7/1913 Hill D26/41
D44,523 S * 8/1913 Edwards D26/41
D45,265 S * 2/1914 McArthur et al. D26/41
D45,266 S * 2/1914 McArthur, Jr. D26/41
1,202,817 A * 10/1916 Drew F21L 19/006
362/171
1,985,517 A * 12/1934 Beckman F21L 19/006
362/173
D101,113 S * 9/1936 Gerth et al. D26/41
2,054,878 A * 9/1936 Embury F21L 19/006
362/171

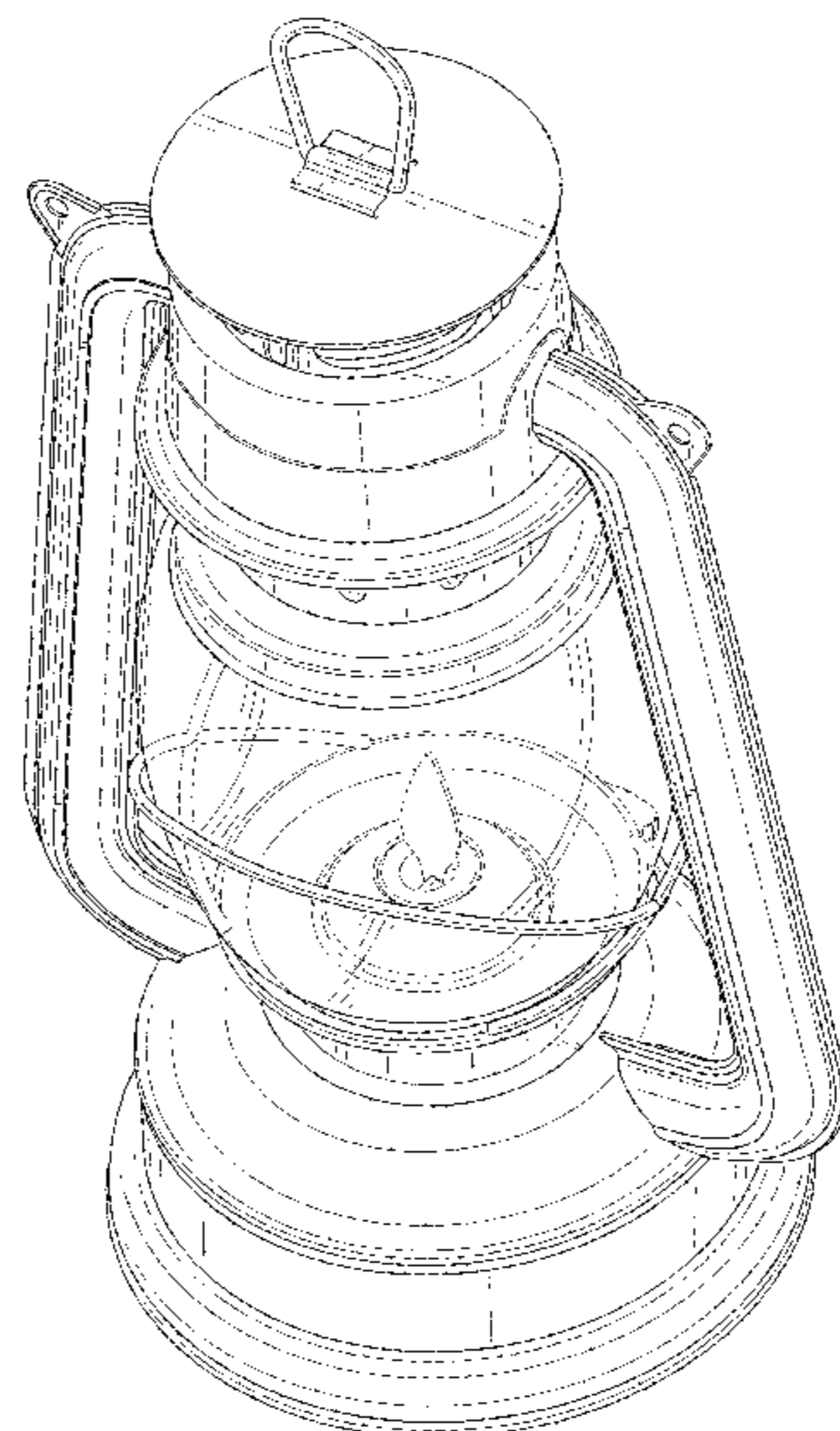
(57) **CLAIM**

The ornamental design for an electronic lantern, as shown and described.

DESCRIPTION

FIG. 1 is an isometric view of an electronic lantern;
FIG. 2 is a front view of the electronic lantern of FIG. 1;
FIG. 3 is a rear view of the electronic lantern of FIG. 1;
FIG. 4 is a left side view of the electronic lantern of FIG. 1;
FIG. 5 is a right side view of the electronic lantern of FIG. 1; and,
FIG. 6 is a bottom view of the electronic lantern of FIG. 1.
The broken-line disclosure represents portions of the electronic lantern which form no part of the claimed design.

1 Claim, 6 Drawing Sheets



(56)

References Cited

U.S. PATENT DOCUMENTS

| | | | | | | |
|--------------|----|---|---------|----------|-------|----------------------|
| D452,021 | S | * | 12/2001 | Yeh | | D26/40 |
| D483,507 | S | * | 12/2003 | Krieger | | D26/40 |
| D486,933 | S | * | 2/2004 | Leung | | D26/40 |
| D486,934 | S | * | 2/2004 | Leung | | D26/40 |
| D498,015 | S | * | 11/2004 | Leung | | D26/40 |
| D521,167 | S | * | 5/2006 | Krieger | | D26/40 |
| D555,266 | S | * | 11/2007 | Claassen | | D26/40 |
| D646,411 | S | * | 10/2011 | Tuli | | D26/40 |
| D700,381 | S | * | 2/2014 | Pamani | | D26/40 |
| D748,836 | S | * | 2/2016 | Zhang | | D26/40 |
| D754,379 | S | * | 4/2016 | Green | | D26/113 |
| 2013/0050985 | A1 | * | 2/2013 | Kwok | | F21S 6/001 362/96 |

FOREIGN PATENT DOCUMENTS

| | | | | | | |
|----|--------|---|---|---------|-------|------------|
| DE | 406405 | C | * | 11/1924 | | F21L 19/00 |
| DE | 586343 | C | * | 10/1933 | | F21L 19/00 |

| | | | | | | |
|----|---------|----|---|---------|-------|------------|
| DE | 616667 | C | * | 8/1935 | | F21L 19/00 |
| DE | 635531 | C | * | 9/1936 | | F21L 19/00 |
| DE | 653423 | C | * | 11/1937 | | F21L 19/00 |
| DE | 679059 | C | * | 7/1939 | | F21L 19/00 |
| DE | 810621 | C | * | 8/1951 | | F21L 19/00 |
| EP | 2565518 | A1 | * | 3/2013 | | F21S 6/001 |
| GB | 395950 | A | * | 7/1933 | | F21L 19/00 |

OTHER PUBLICATIONS

WeatherRite 5554 Lantern, posted at youtube.com, published Feb. 14, 2010, © Standard YouTube License, online, site visited May 15, 2017. Available from Internet, <URL:<https://www.youtube.com/watch?v=shCzmuSGoUM&index=18&list=PL57759FBF0DB92F11>>.*

Dietz Lantern posted at youtube.com, published Feb. 26, 2011, © Standard YouTube License, online, site visited May 15, 2017. Available from Internet, <<https://www.youtube.com/watch?v=xU-JVjt4aSY>>.*

* cited by examiner

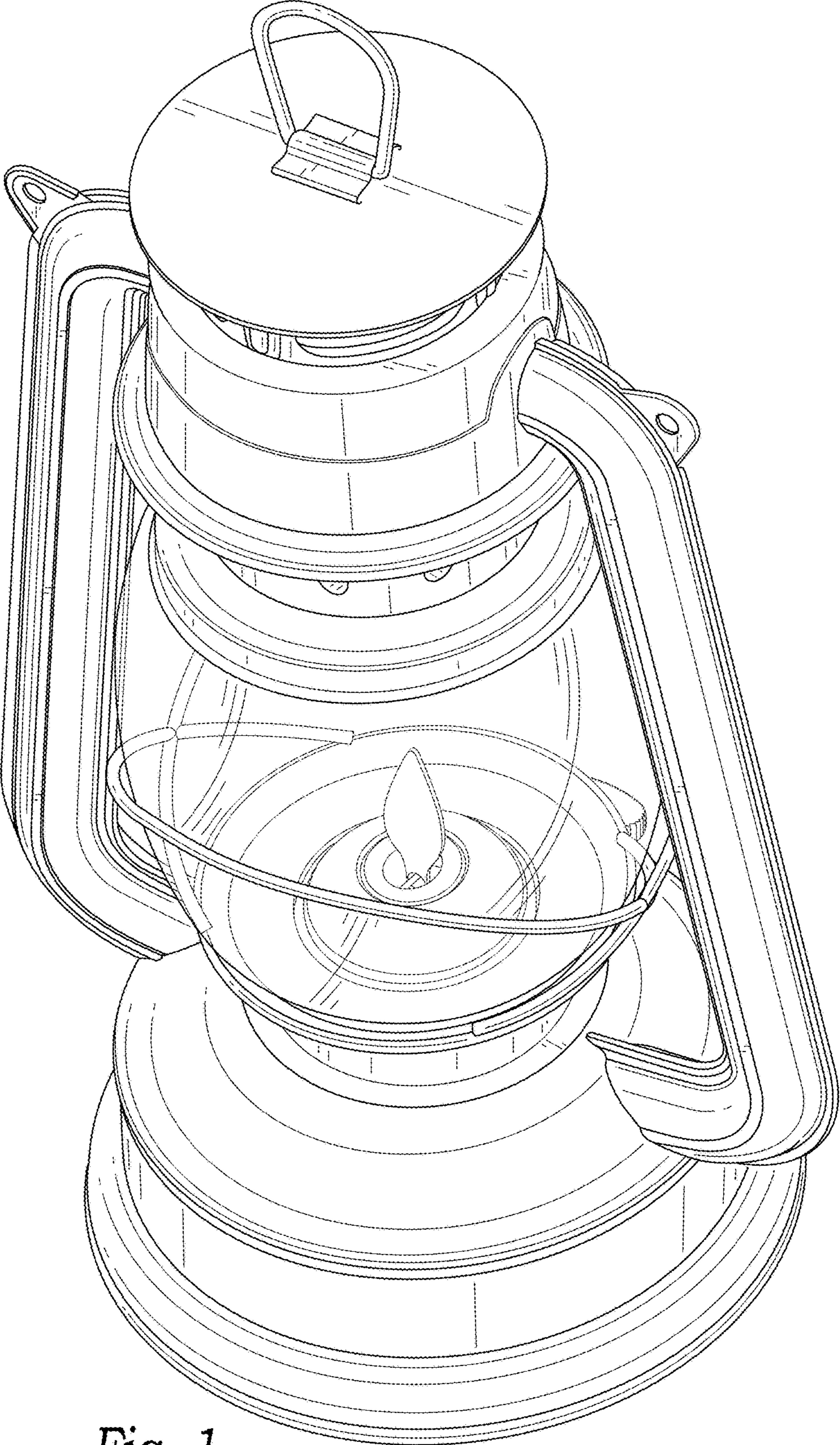


Fig. 1

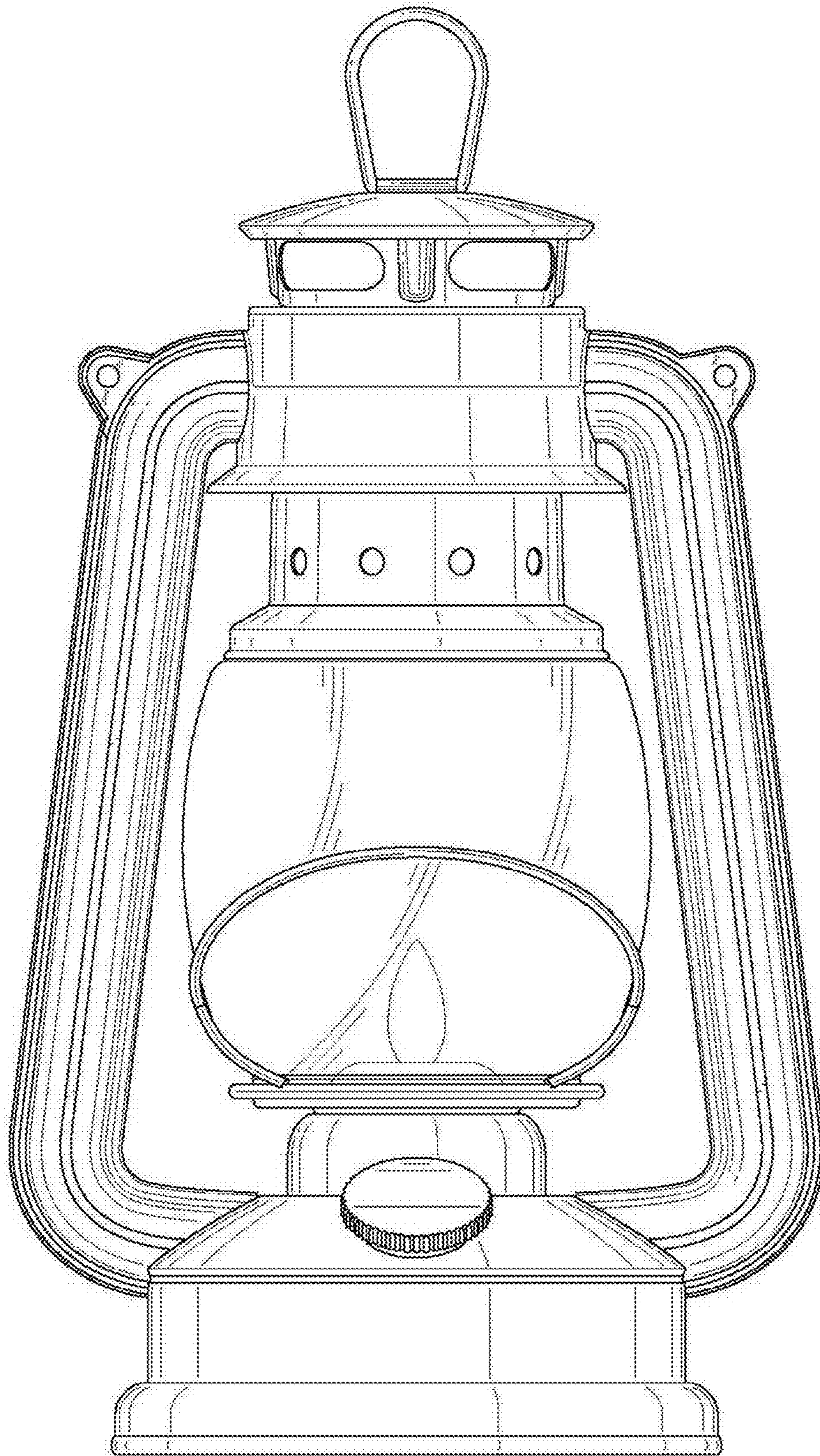


Fig. 2

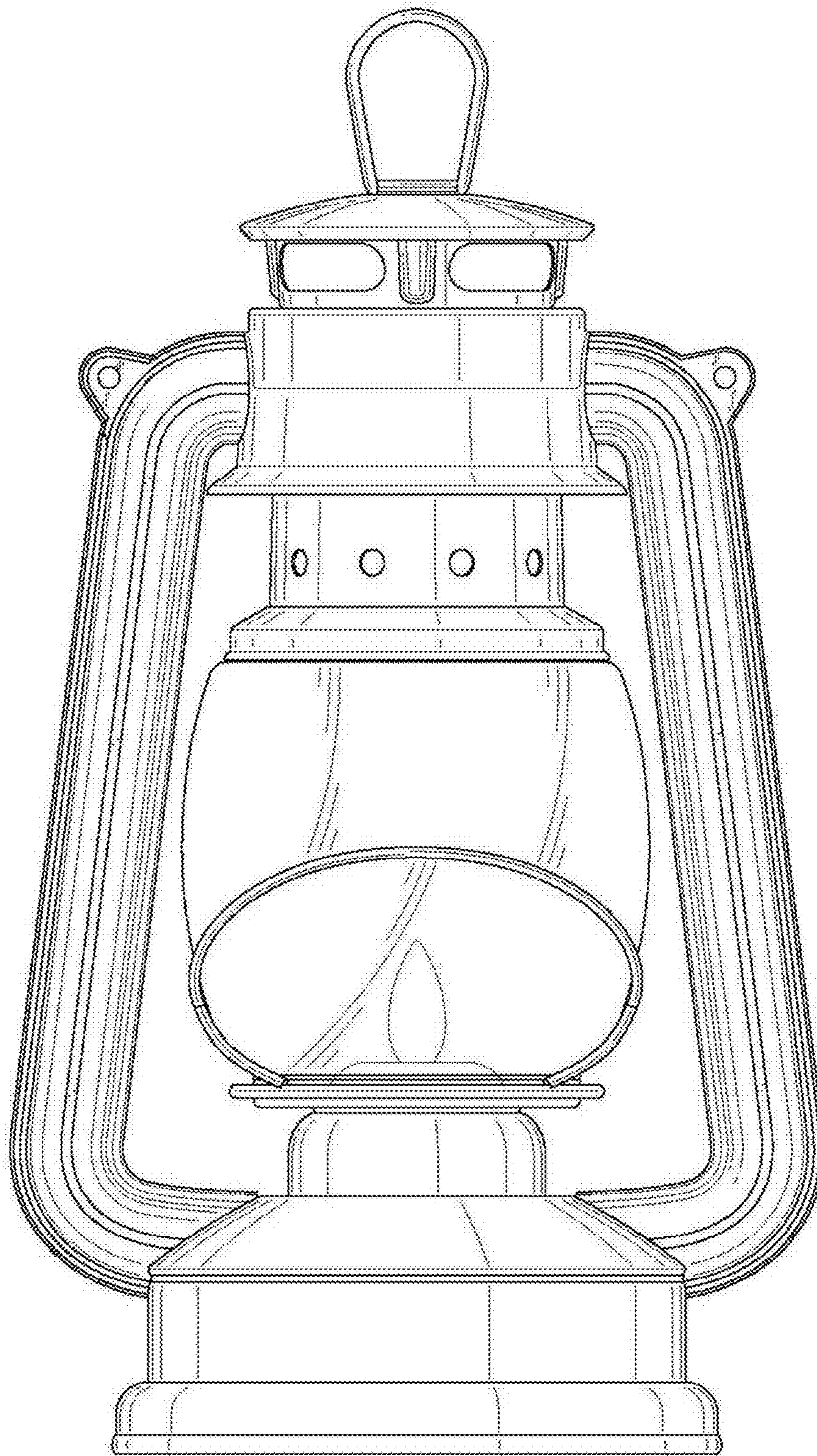


Fig. 3

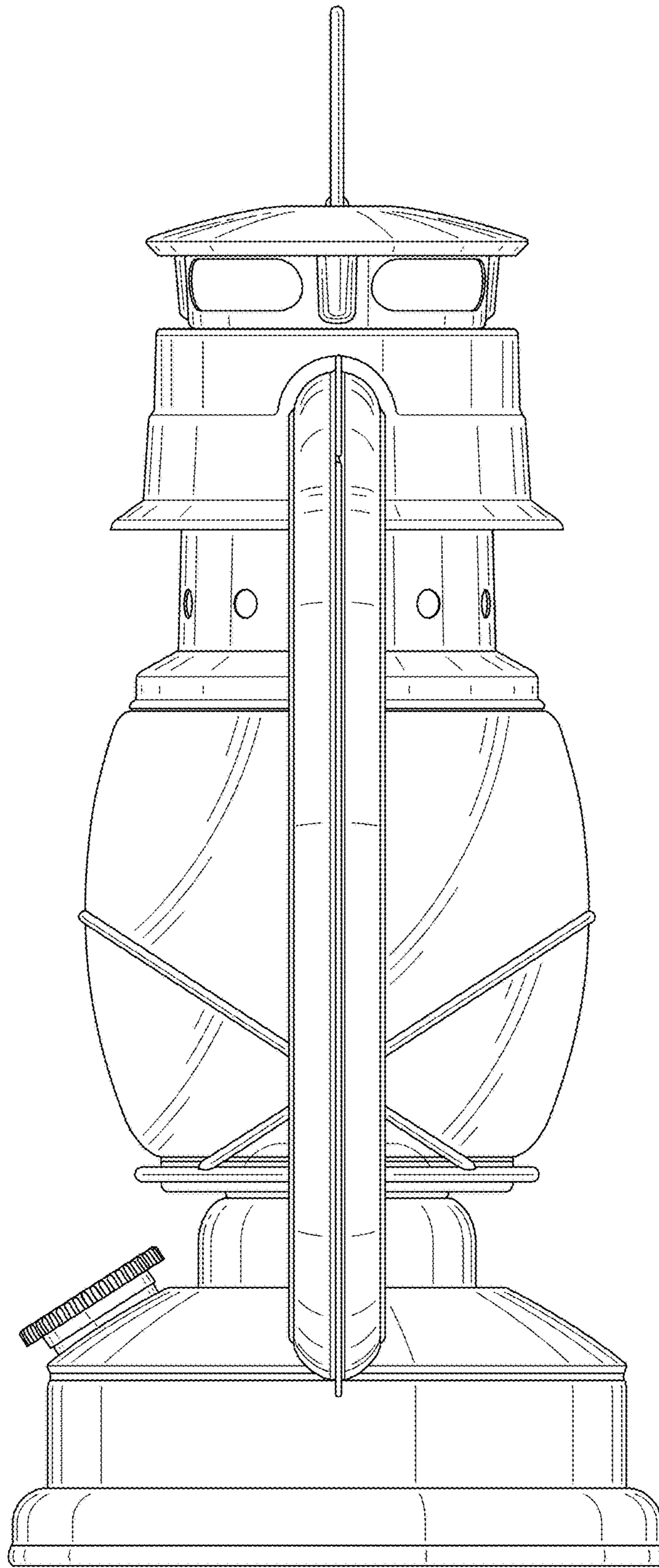


Fig. 4

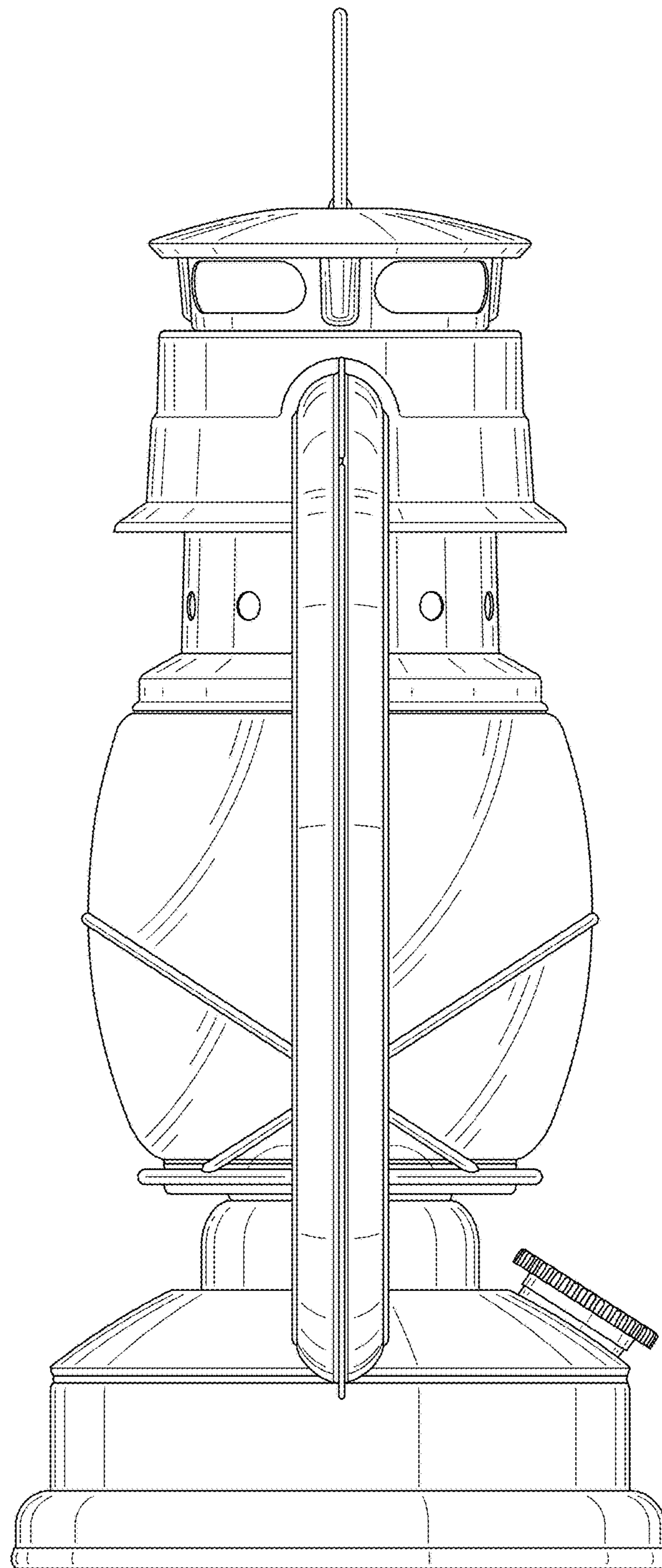


Fig. 5

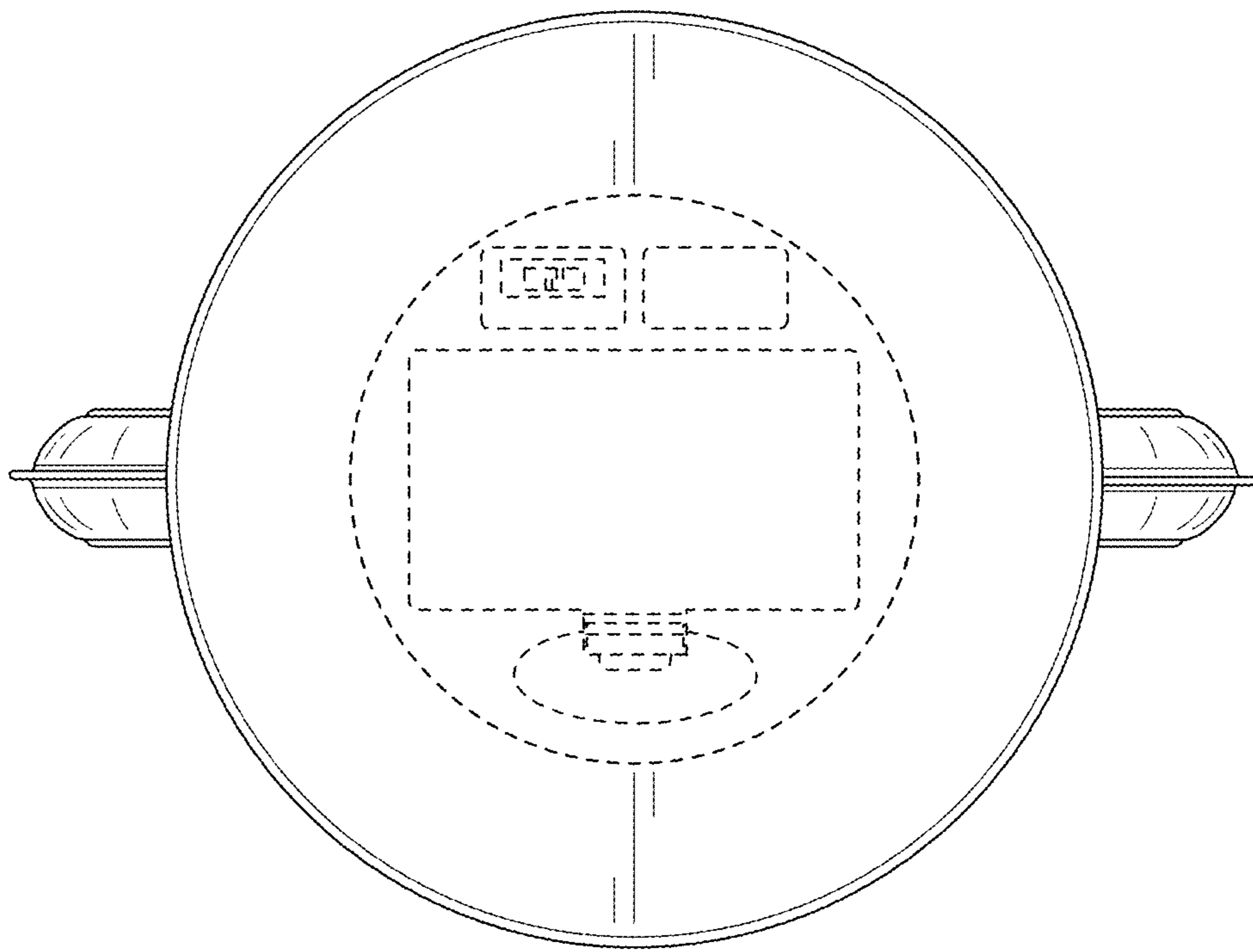


Fig. 6