



US00D819854S

(12) **United States Design Patent** (10) **Patent No.:** **US D819,854 S**
Lai (45) **Date of Patent:** **** Jun. 5, 2018**

(54) **AUTOMOBILE HEADLIGHT**
(71) Applicant: **Ching-Tsung Lai**, Tainan (TW)
(72) Inventor: **Ching-Tsung Lai**, Tainan (TW)
(**) Term: **15 Years**
(21) Appl. No.: **35/001,244**
(22) Filed: **Jul. 22, 2016**
(80) **Hague Agreement Data**

Int. Filing Date: **Jul. 22, 2016**
Int. Reg. No.: **DM/095784**
Int. Reg. Date: **Jul. 22, 2016**
Int. Reg. Pub. Date: **May 5, 2017**

(51) **LOC (11) Cl.** **26-06**
(52) **U.S. Cl.**
USPC **D26/28**
(58) **Field of Classification Search**
USPC **D26/28-36**
CPC **F21S 48/00; F21S 48/10; F21S 48/115;**
F21S 48/225; F21S 48/1233; F21S
48/1266; F21S 48/1388; F21S 48/2266;
F21V 21/04; B60Q 1/30; B60Q 1/2607;
B60Q 1/2696; B62J 6/00; B62J 6/04
See application file for complete search history.

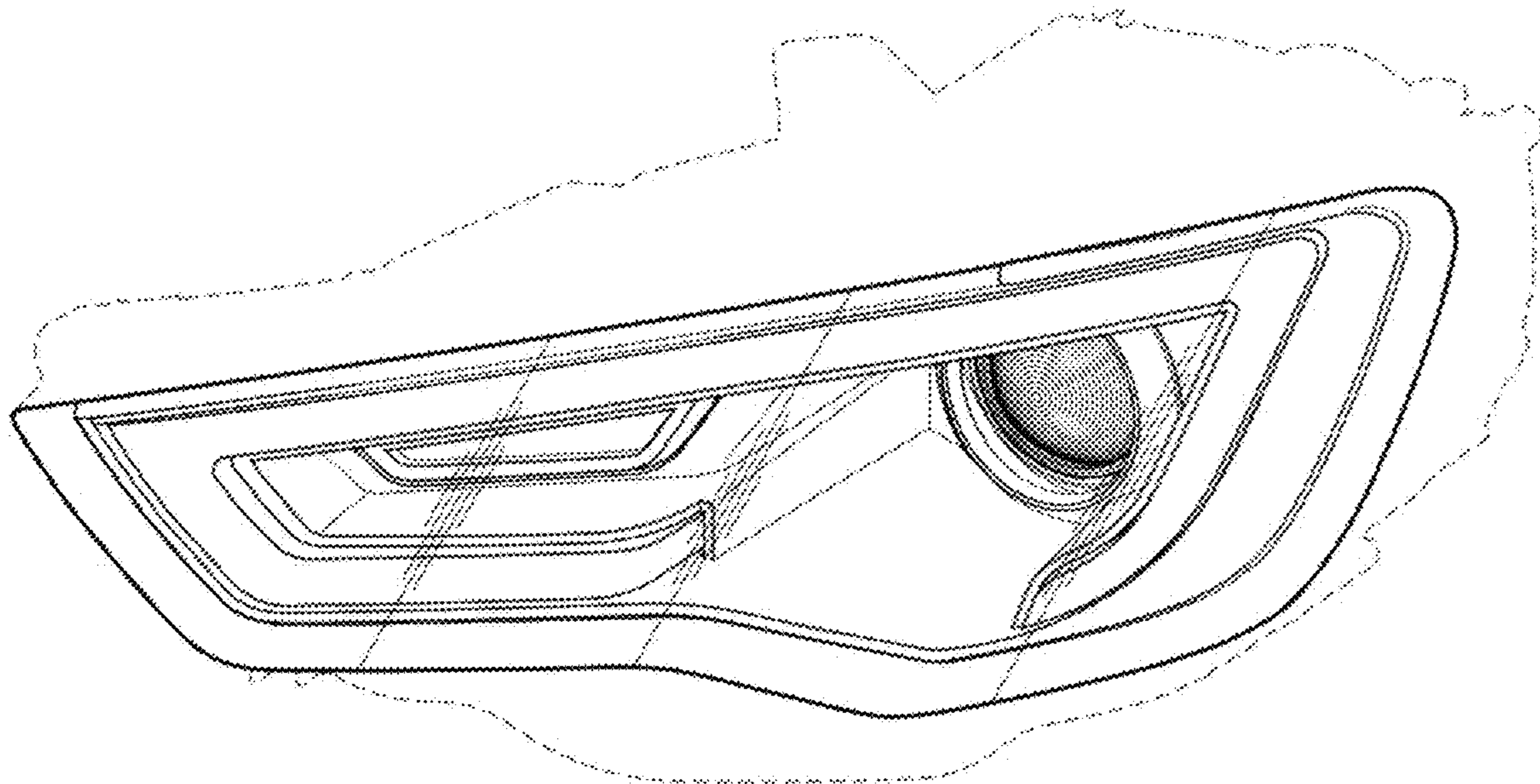
(56) **References Cited**
U.S. PATENT DOCUMENTS
D789,580 S * 6/2017 Schneider D26/28
D794,231 S * 8/2017 Yokoi D26/28
D794,848 S * 8/2017 Komuro D26/28
D796,709 S * 9/2017 Lai D26/28
D796,715 S * 9/2017 Lin D26/28
D801,559 S * 10/2017 Kinoshita D26/28

* cited by examiner
Primary Examiner — Zenia I Bennett

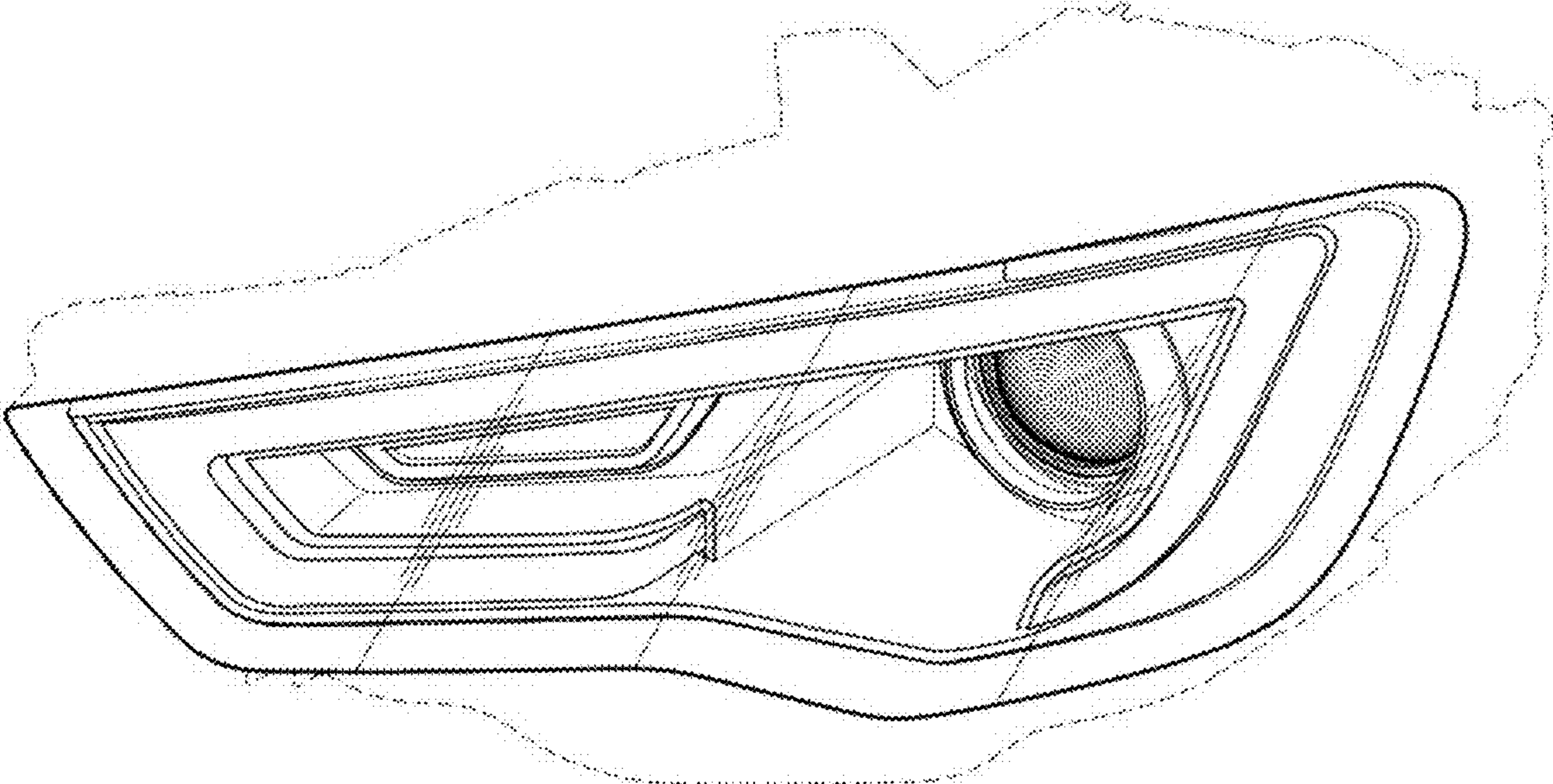
(57) **CLAIM**
The ornamental design for an automobile headlight, as shown and described.

DESCRIPTION
1. Automobile headlight
Fig. 1.1 is a perspective view;
Fig. 1.2 is a front elevation view;
Fig. 1.3 is a side elevation view;
Fig. 1.4 is a top view.

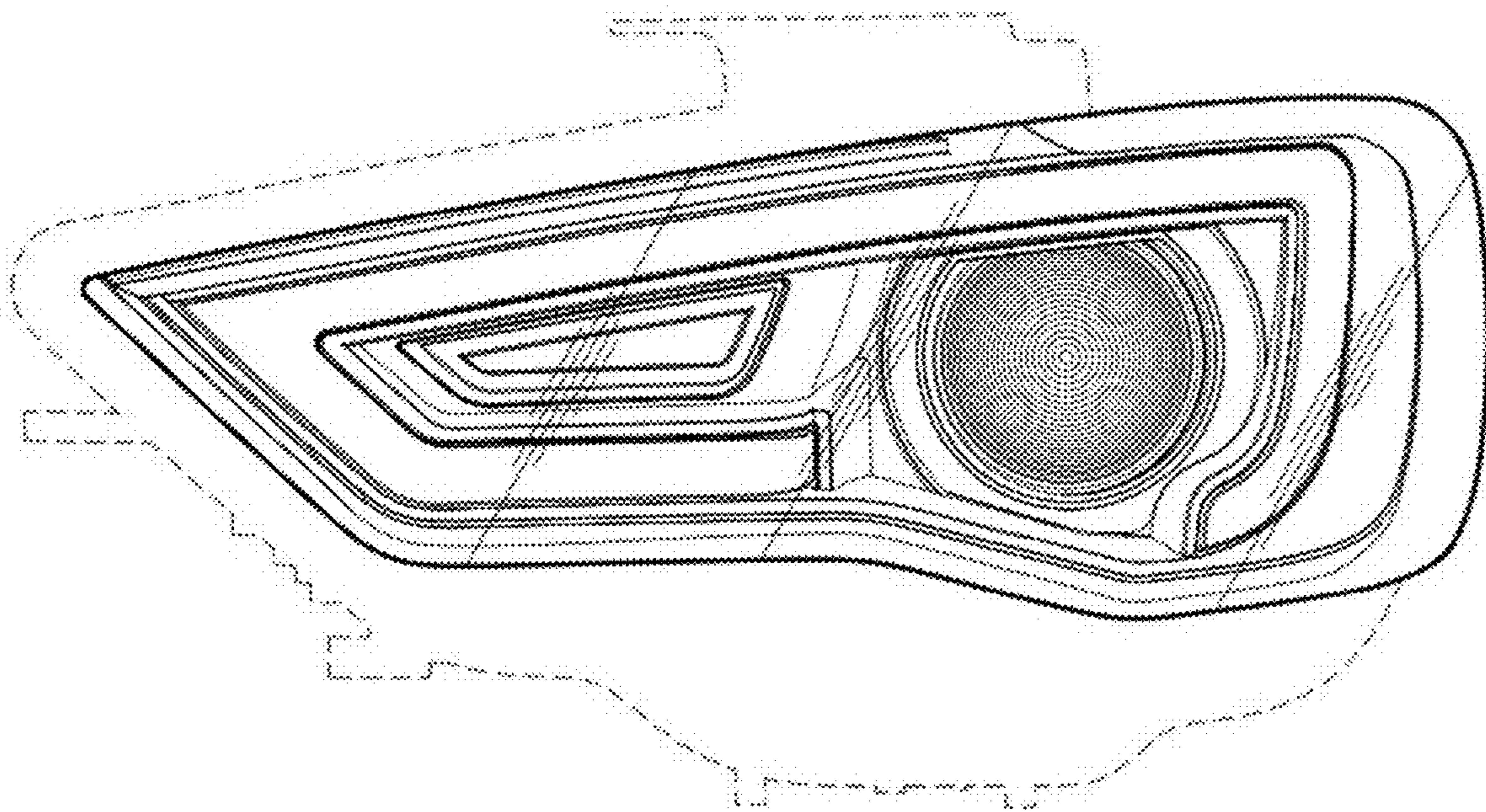
1 Claim, 4 Drawing Sheets



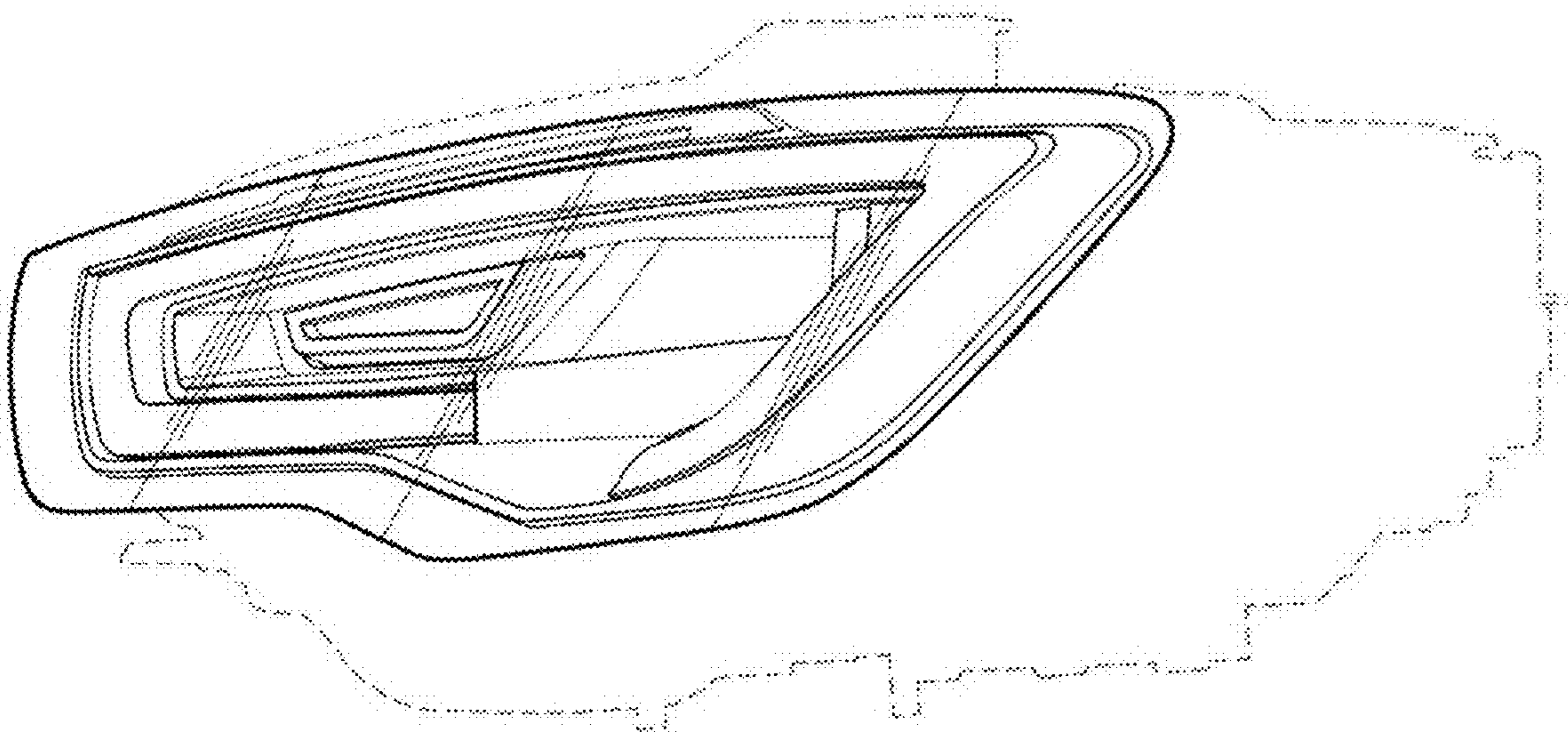
1.1



1.2



1.3



1.4

