



US00D819848S

(12) **United States Design Patent** (10) **Patent No.:** **US D819,848 S**  
**Lin** (45) **Date of Patent:** **\*\* Jun. 5, 2018**

(54) **VEHICLE HEADLIGHT**

(56) **References Cited**

(71) Applicant: **KUEN HWA TRAFFIC INDUSTRIAL CO., LTD.**, Tainan (TW)

U.S. PATENT DOCUMENTS

(72) Inventor: **Yung-Hsiang Lin**, Tainan (TW)

D528,231 S \* 9/2006 Ikeda ..... D26/28  
D528,686 S \* 9/2006 Kato ..... D26/28  
D529,208 S \* 9/2006 Ikeda ..... D26/28  
D535,409 S \* 1/2007 Yamaguchi ..... D26/28

(73) Assignee: **Kuen Hwa Traffic Industrial Co., Ltd.**, Tainan (TW)

\* cited by examiner

(\*\*) Term: **15 Years**

*Primary Examiner* — Marcus Jackson

(21) Appl. No.: **29/598,301**

(74) *Attorney, Agent, or Firm* — Rosenberg, Klein & Lee

(22) Filed: **Mar. 24, 2017**

(57) **CLAIM**

The ornamental design for a vehicle headlight, as shown and described.

(51) **LOC (11) Cl.** ..... **26-06**

**DESCRIPTION**

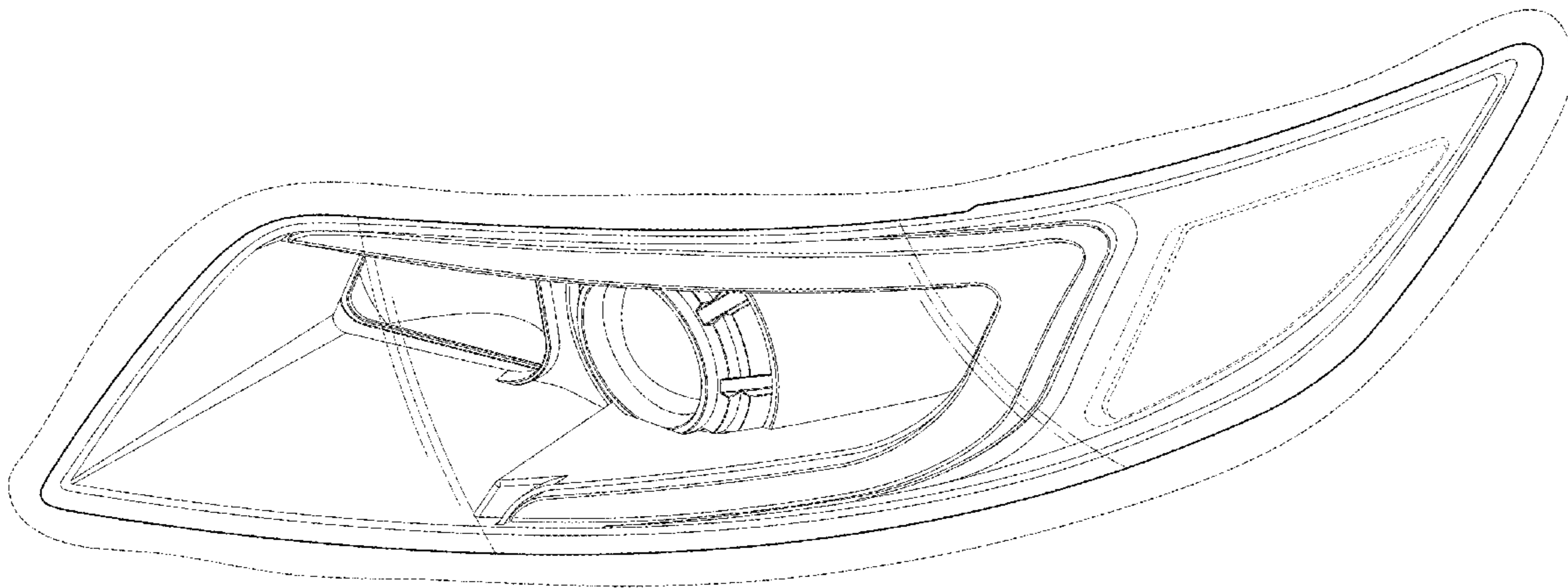
(52) **U.S. Cl.**  
USPC ..... **D26/28**

(58) **Field of Classification Search**  
USPC ..... D26/28–36; 362/80–83, 267–269,  
362/459–468, 475–478, 485–487  
CPC ..... F21S 48/00; F21S 48/10; F21S 48/115;  
F21S 48/225; F21S 48/1233; F21S  
48/1266; F21S 48/1388; F21S 48/2268;  
F21V 21/04

FIG. 1 is a perspective view of a vehicle headlight showing my present design;  
FIG. 2 is a front view thereof;  
FIG. 3 is a right view thereof;  
FIG. 4 is a top plan view thereof; and,  
FIG. 5 is another perspective view thereof.  
The broken lines in the drawings illustrate portions of the vehicle headlight and form no part of the claimed design.

See application file for complete search history.

**1 Claim, 5 Drawing Sheets**



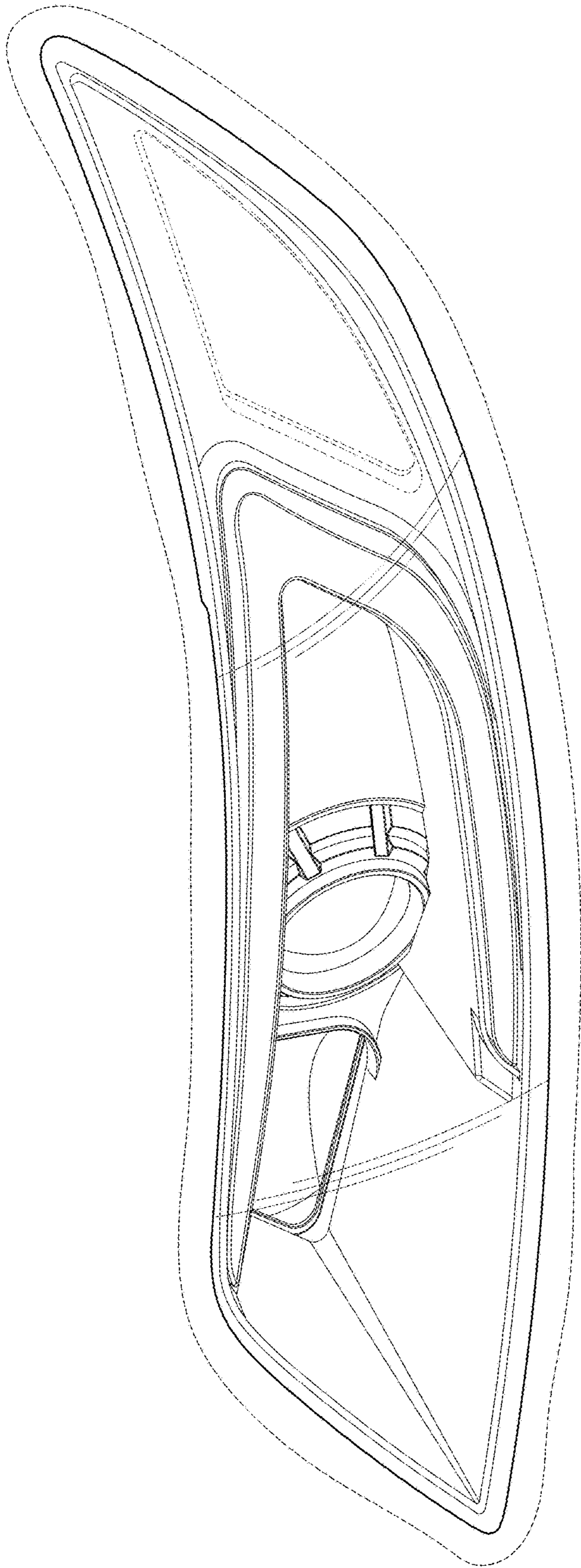


FIG. 1

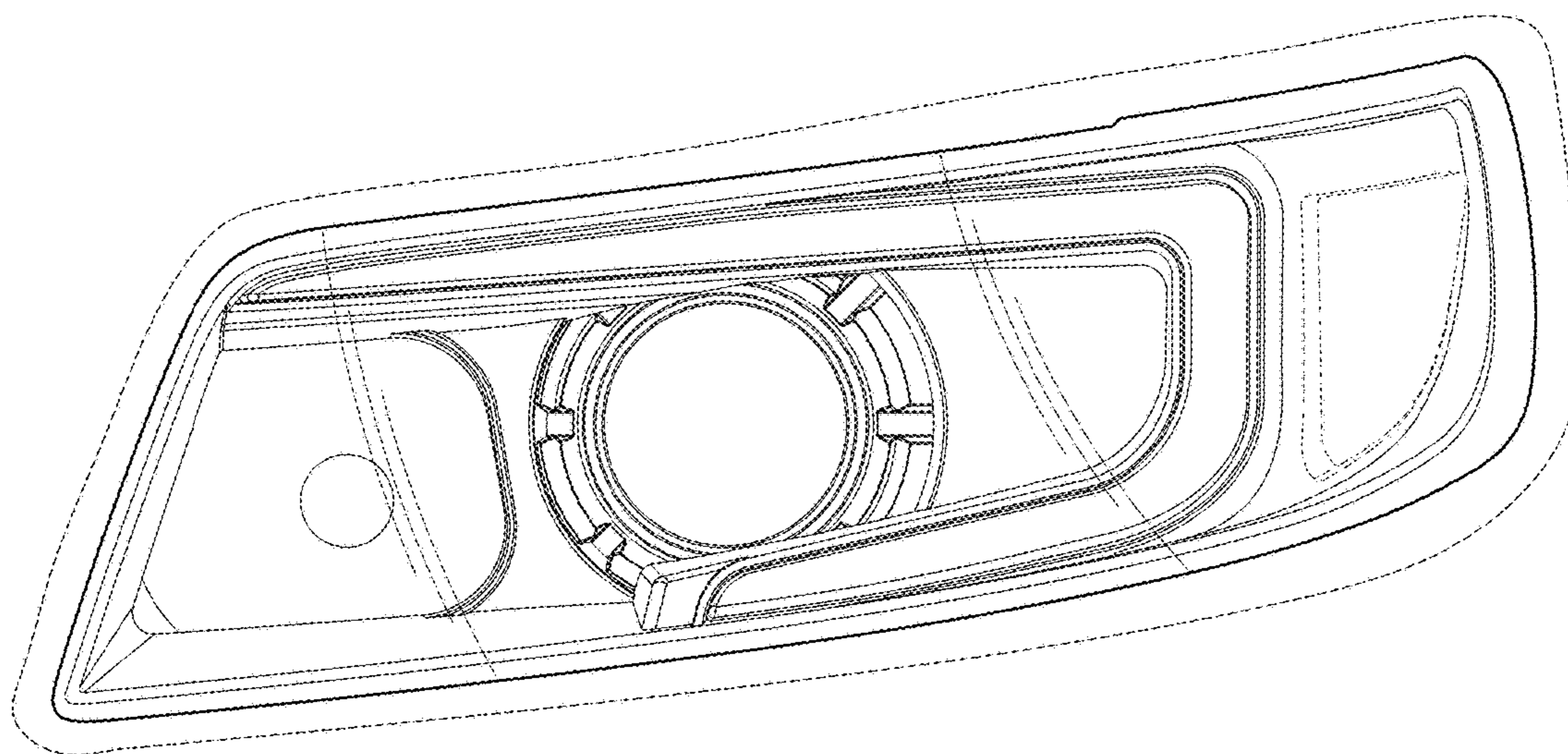


FIG. 2

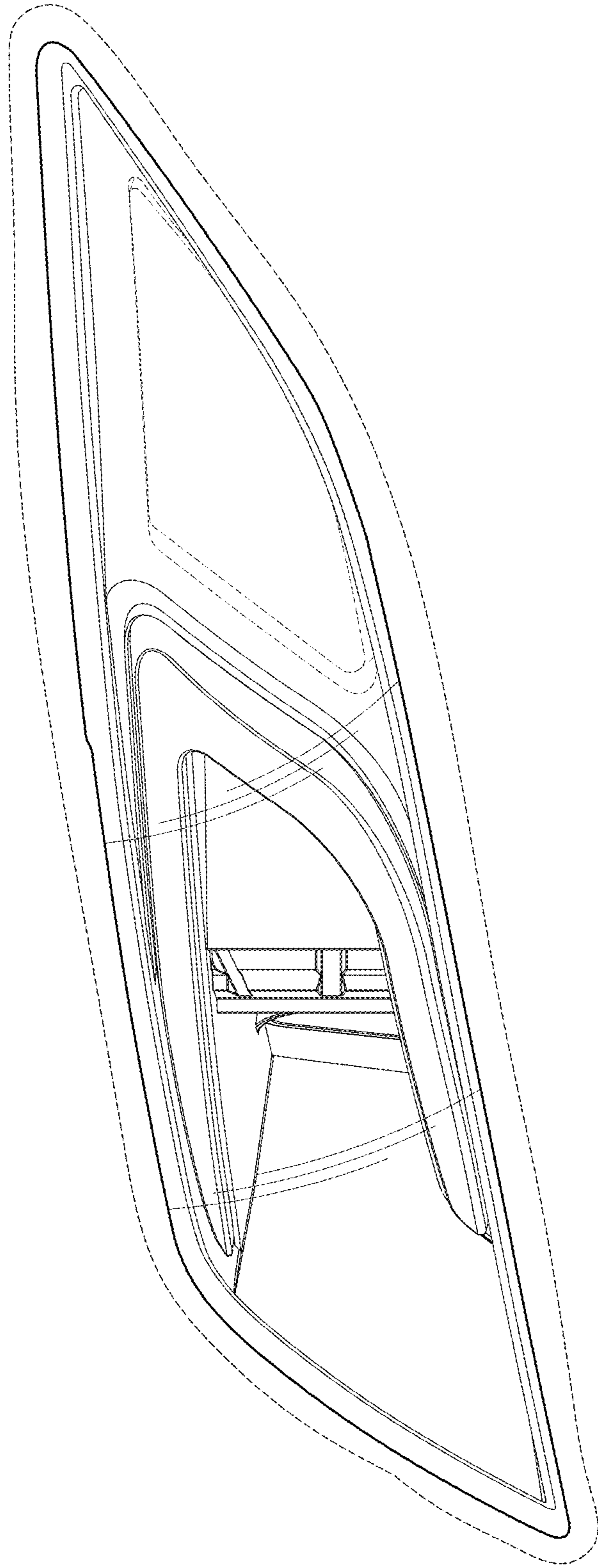


FIG. 3

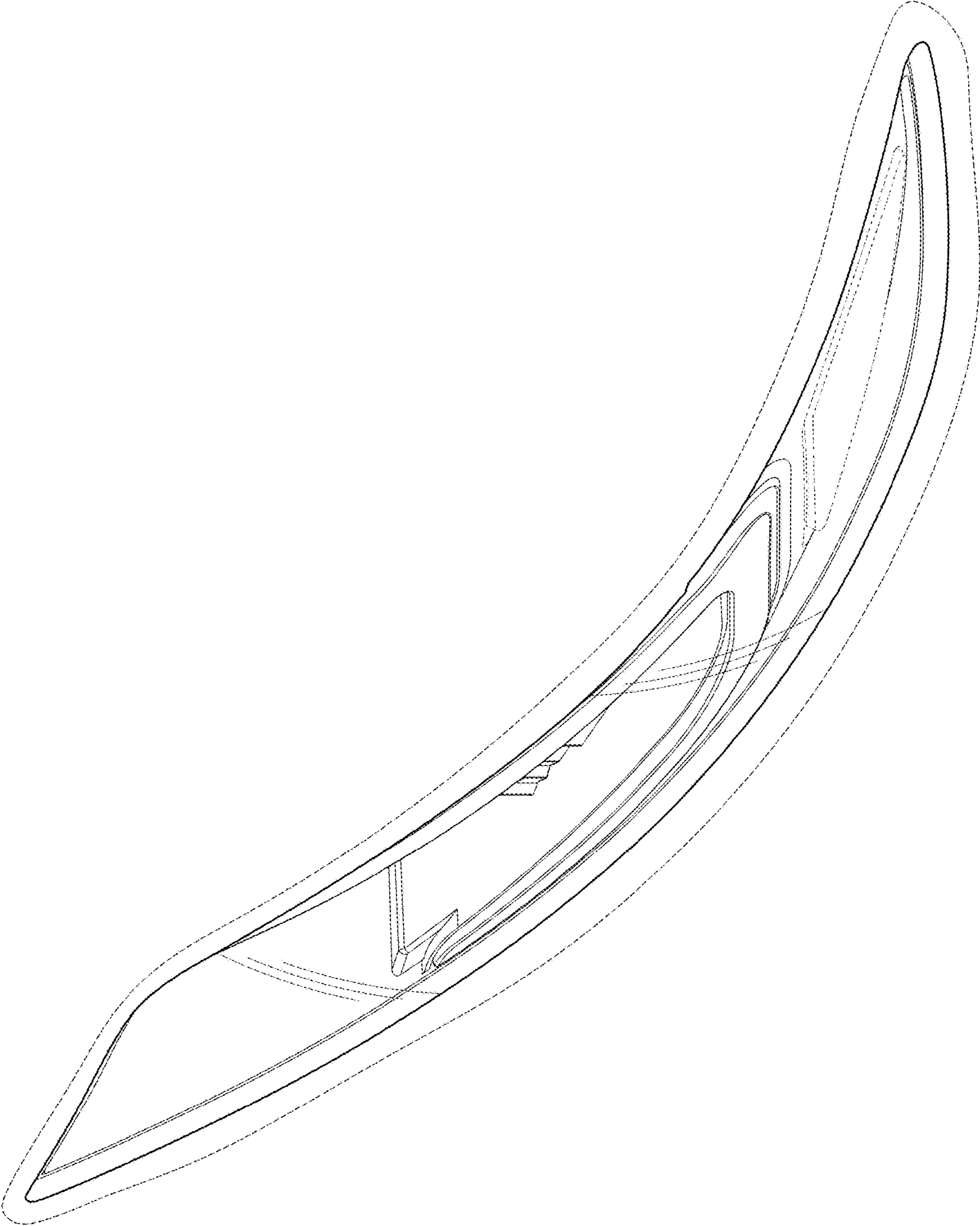


FIG . 4

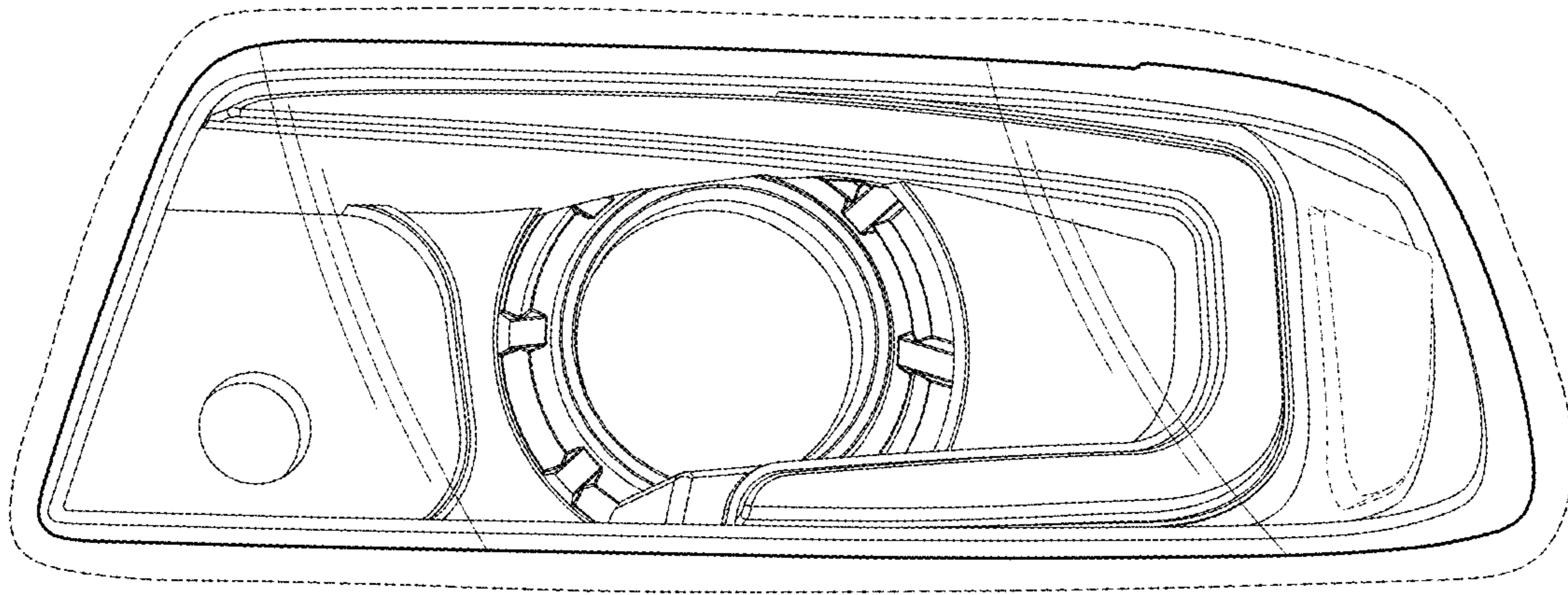


FIG. 5