



US00D819845S

(12) **United States Design Patent** (10) **Patent No.:** **US D819,845 S**  
**Boschetto** (45) **Date of Patent:** **\*\* Jun. 5, 2018**

- (54) **PORTION OF A LED BULB**
- (71) Applicant: **IMC Candle Corporation**, Arlington, MA (US)
- (72) Inventor: **Andrew A. Boschetto**, Sewell, NJ (US)
- (73) Assignee: **IMC Candle Corporation**, Arlington, MA (US)
- (\*\*) Term: **15 Years**
- (21) Appl. No.: **29/624,314**
- (22) Filed: **Oct. 31, 2017**

6,523,978	B1	2/2003	Huang	
D471,294	S	3/2003	Bobel	
D494,688	S	8/2004	Van de Ven	
D500,872	S	1/2005	Foo	
6,926,423	B2	8/2005	Bucher et al.	
7,125,142	B2	10/2006	Wainwright	
D534,665	S	1/2007	Egawa	
D543,288	S	5/2007	Bembridge	
7,332,878	B1	2/2008	Smith	
7,597,455	B2	10/2009	Smith et al.	
7,883,242	B2	2/2011	Ng et al.	
D634,451	S	3/2011	de Visser	
D644,766	S *	9/2011	Su	D26/2
D652,157	S *	1/2012	Zolotykh	D26/2
D653,364	S *	1/2012	Howard	D26/2
D661,821	S *	6/2012	Veres	D26/2
8,390,185	B2	3/2013	Matsui et al.	
D688,393	S *	8/2013	Tsai	D26/2
D700,378	S	2/2014	Harris	
D801,555	S	10/2017	Boschetto	
2011/0069487	A1	3/2011	Ng et al.	
2013/0294082	A1	11/2013	Matsuda et al.	
2014/0022795	A1	1/2014	Matsumoto	

**Related U.S. Application Data**

- (62) Division of application No. 29/555,593, filed on Feb. 23, 2016, now Pat. No. Des. 801,555, which is a division of application No. 29/498,545, filed on Aug. 5, 2014, now Pat. No. Des. 750,289.
- (51) **LOC (11) Cl.** ..... **26-04**
- (52) **U.S. Cl.**  
USPC ..... **D26/4**
- (58) **Field of Classification Search**  
USPC ..... D26/1-4; 313/313, 315, 316, 317, 318, 313/493; 315/52, 53, 56, 57, 58  
CPC ..... H01R 5/00; H01R 13/46; H01R 13/514; H01R 31/048; H01R 31/02; H01J 5/00; H01J 5/16; H01J 15/00; H01J 5/48; H01J 5/50; H01J 19/54; F21V 5/00  
See application file for complete search history.

\* cited by examiner

*Primary Examiner* — Marcus Jackson  
 (74) *Attorney, Agent, or Firm* — Berenato & White, LLC

(57) **CLAIM**

The ornamental design for a portion of a LED bulb, as shown and described.

**DESCRIPTION**

FIG. 1 is a perspective view of my design;  
 FIG. 2 is a side elevational view of the design;  
 FIG. 3 is a top plan view of the design; and,  
 FIG. 4 is a bottom view of the design.  
 The portion of a LED bulb depicted in broken lines forms no part of the claimed design.

**1 Claim, 1 Drawing Sheet**

- (56) **References Cited**  
U.S. PATENT DOCUMENTS  
4,510,556 A 4/1985 Johnson  
5,655,830 A 8/1997 Ruskouski

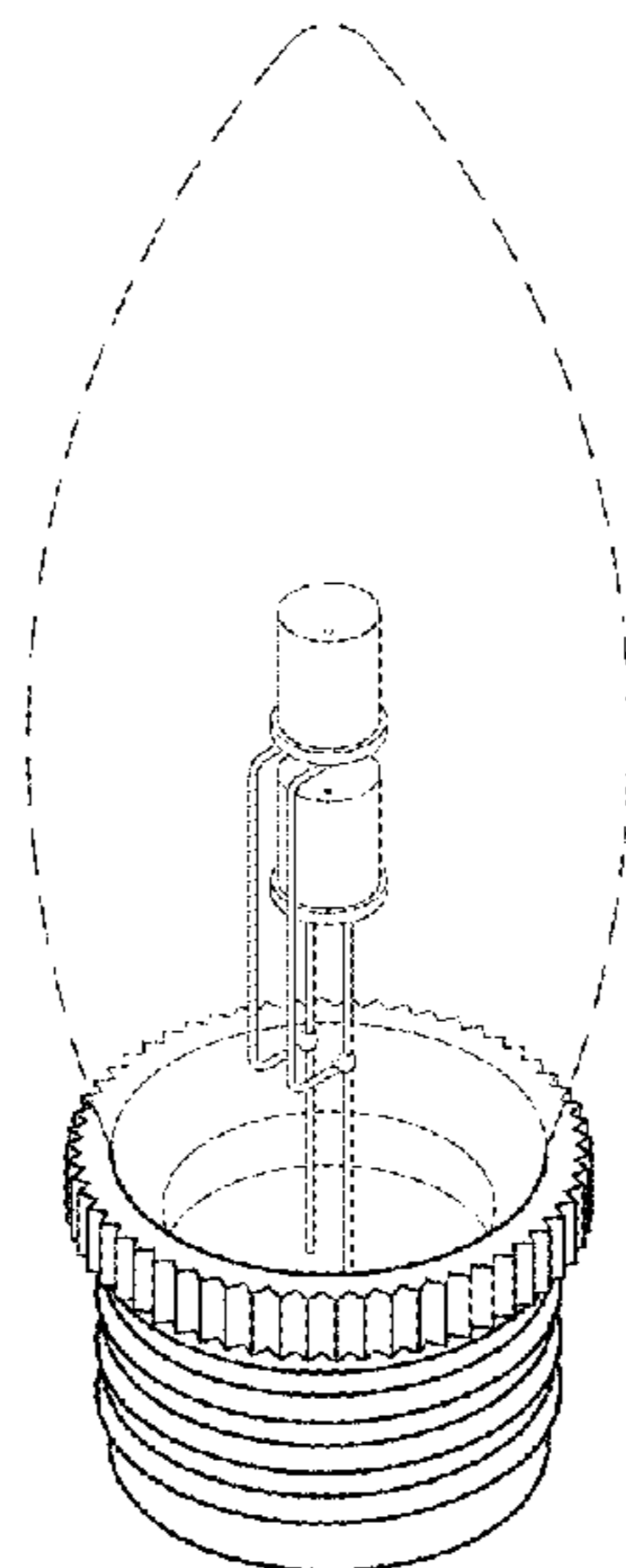


FIG. 1

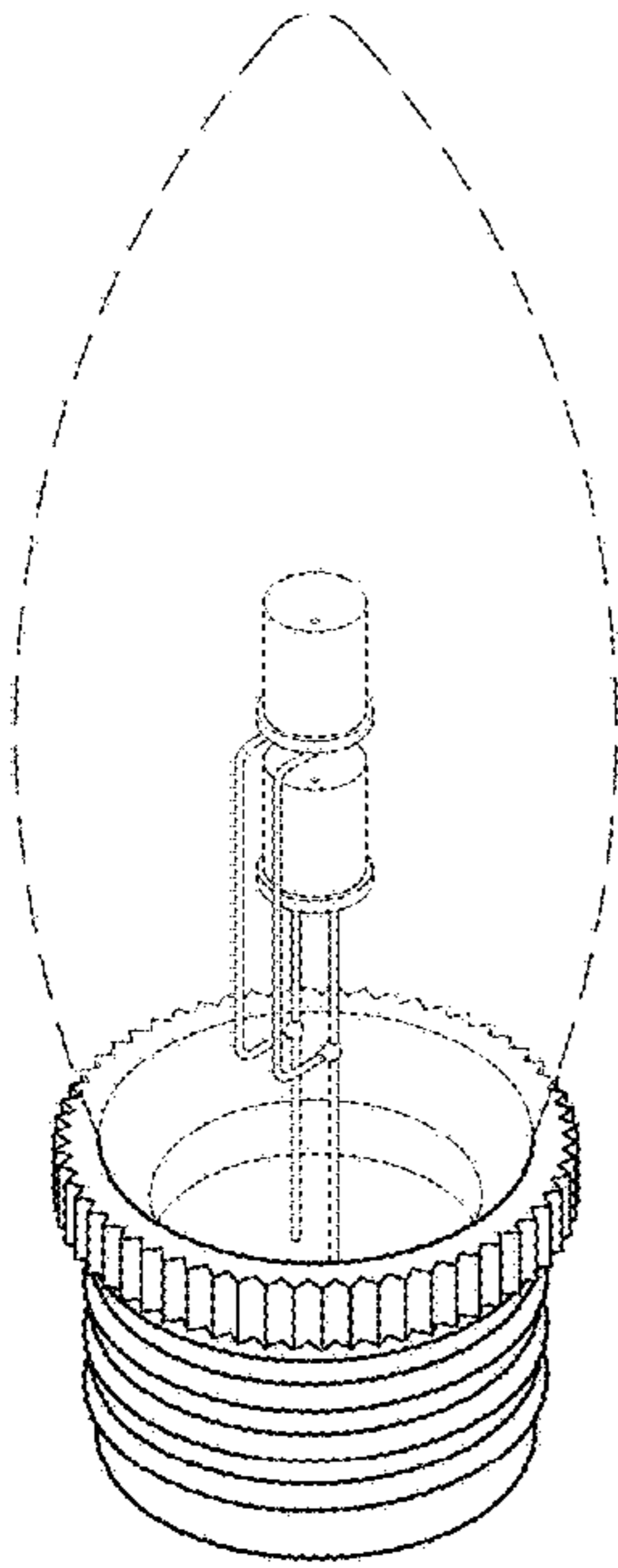


FIG. 2

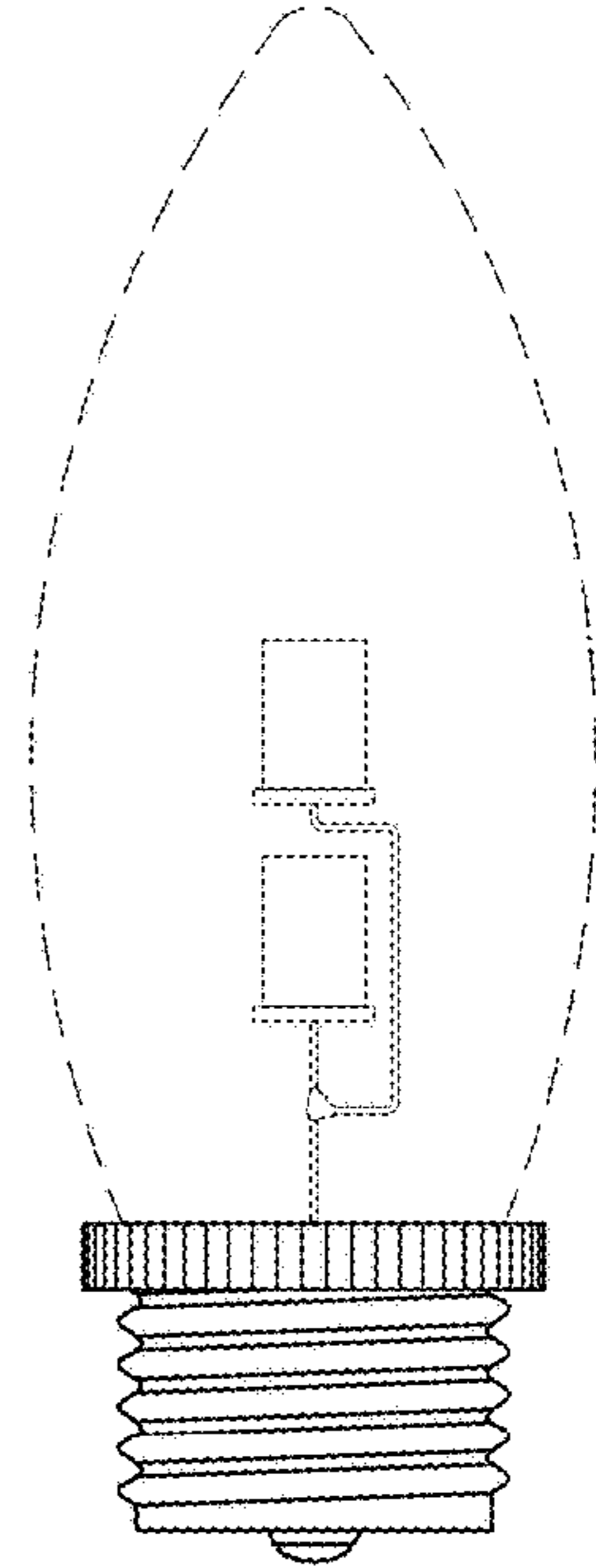


FIG. 3

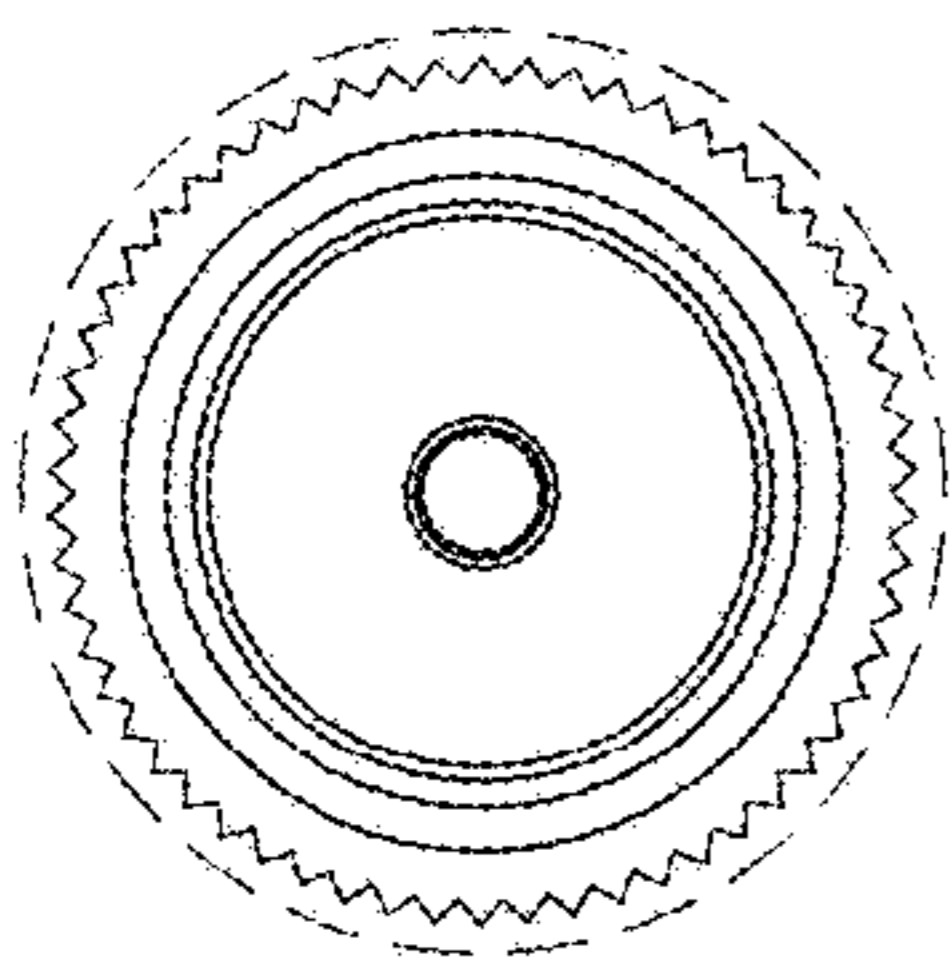


FIG. 4

