



US00D819839S

(12) **United States Design Patent** (10) **Patent No.:** **US D819,839 S**
Shalvi (45) **Date of Patent:** **** Jun. 5, 2018**

(54) **LIGHTING FIXTURE**

CN 201430222043.5 7/2014
DE 102010052020 3/2015
WO WO2012075635 6/2012

(71) Applicant: **Ram Shalvi**, Closter, NJ (US)

(72) Inventor: **Ram Shalvi**, Closter, NJ (US)

OTHER PUBLICATIONS

(73) Assignee: **Olympia Lighting, Inc.**, Northvale, NJ (US)

LED Light Bulb, Mar. 12, 2011.
70W PC Cover LED Com Cob Light Bulb, Nov. 7, 2014.
80W 2835 SMD LED Maize Lamp LED Com Light Bulb, Mar. 31, 2014.
3100LM AC85-265V High Power E27 Com SMD Light Bulb E27, Dec. 24, 2012.
30W Com Light Bulb SMD 3528 E40/E39/E27/E26, Sep. 4, 2012.

(**) Term: **15 Years**

(21) Appl. No.: **29/597,794**

(22) Filed: **Mar. 20, 2017**

* cited by examiner

(51) **LOC (11) Cl.** **26-04**

(52) **U.S. Cl.**
USPC **D26/2**

Primary Examiner — Marcus Jackson
(74) *Attorney, Agent, or Firm* — Offit Kurman, P.A.;
Robert D. Katz

(58) **Field of Classification Search**
USPC D26/1-4; 313/313, 315, 316, 317, 318,
313/493; 315/52, 53, 56, 57, 58
CPC H01R 5/00; H01R 13/46; H01R 13/514;
H01R 31/048; H01R 31/02; H01J 5/00;
H01J 5/16; H01J 1/02; H01J 15/00; H01J
5/48; H01J 5/50; H01J 19/54; F21V 5/00
See application file for complete search history.

(57) **CLAIM**

An ornamental design for a lighting fixture, as shown and described.

(56) **References Cited**

DESCRIPTION

U.S. PATENT DOCUMENTS

D553,266 S * 10/2007 Maxik D26/2
D566,300 S * 4/2008 Lo D26/2
D584,838 S * 1/2009 To D26/2
D631,567 S 1/2011 Lodhie
D646,802 S * 10/2011 Guohui D26/2
8,128,258 B2 3/2012 Lodhie
D695,426 S * 12/2013 Tu D26/2
D721,828 S 1/2015 Chen et al.
D735,903 S 8/2015 Li
D762,884 S 8/2016 Shalvi
D782,081 S 3/2017 Shalvi
D782,082 S 3/2017 Shalvi

FOREIGN PATENT DOCUMENTS

CN 201330328840.7 7/2013
CN 002320358-0001 10/2013

FIG. 1 is a perspective view of a lighting fixture featuring my ornamental design;
FIG. 2 is a front view of the ornamental design of the lighting fixture of FIG. 1;
FIG. 3 is a rear view of the ornamental design of the lighting fixture of FIG. 1;
FIG. 4 is a view of the right side of the ornamental design of the lighting fixture of FIG. 1;
FIG. 5 is a view of the left side of the ornamental design of the lighting fixture of FIG. 1;
FIG. 6 is an end view of the ornamental design of the lighting fixture of FIG. 1; and,
FIG. 7 is a bottom view of the ornamental design of the lighting fixture of FIG. 1.

1 Claim, 6 Drawing Sheets

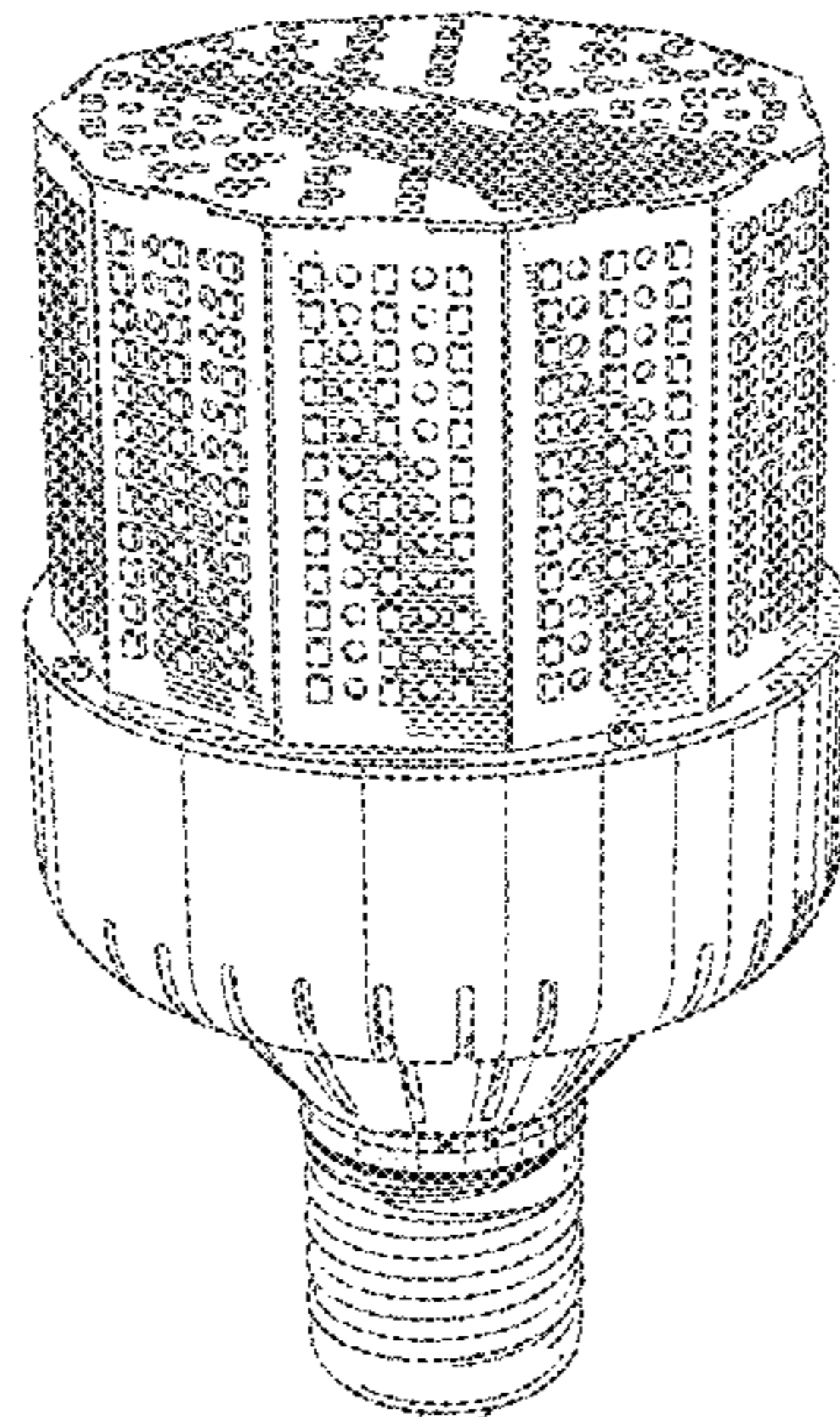


FIG. 1

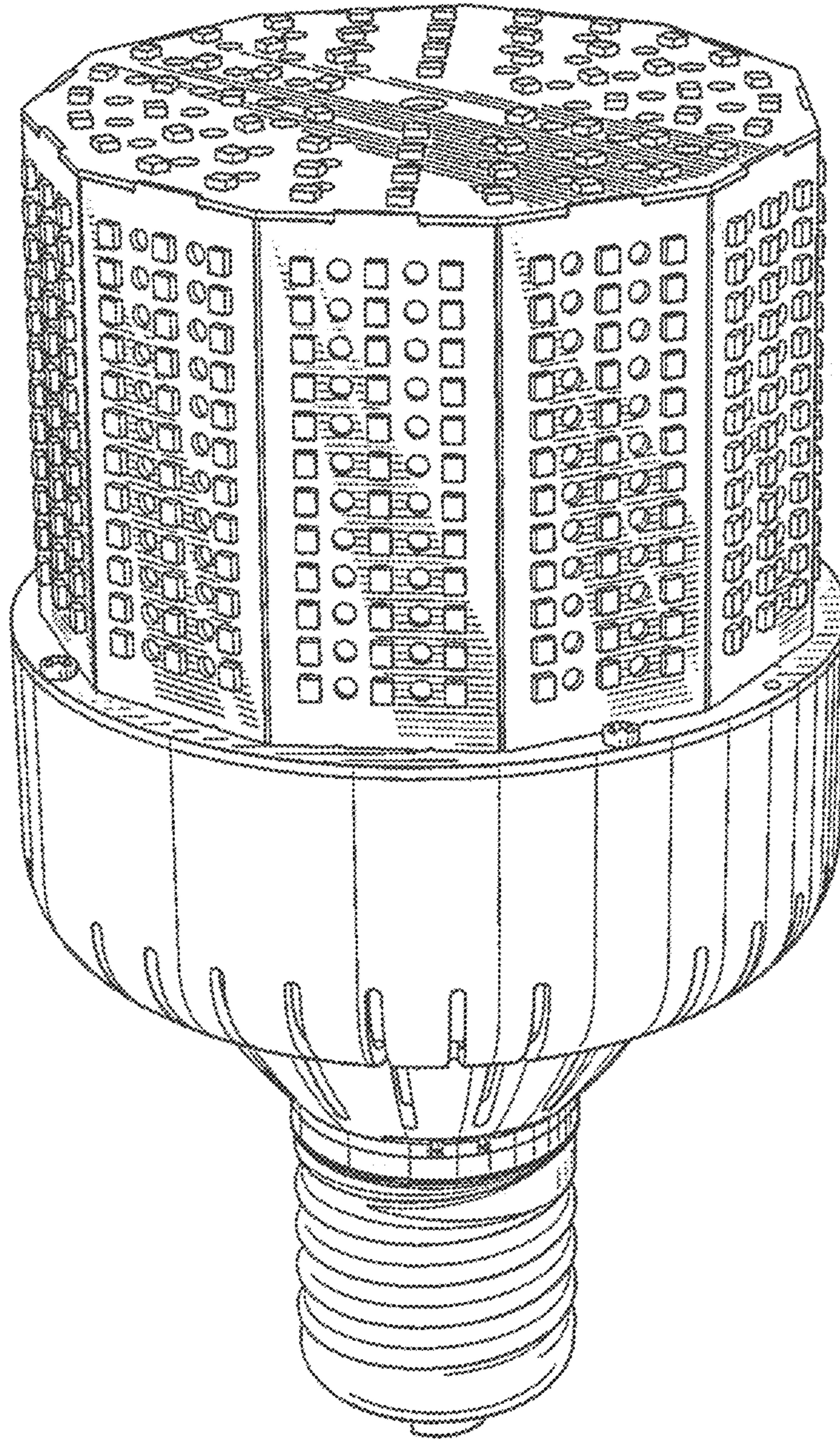


FIG. 2

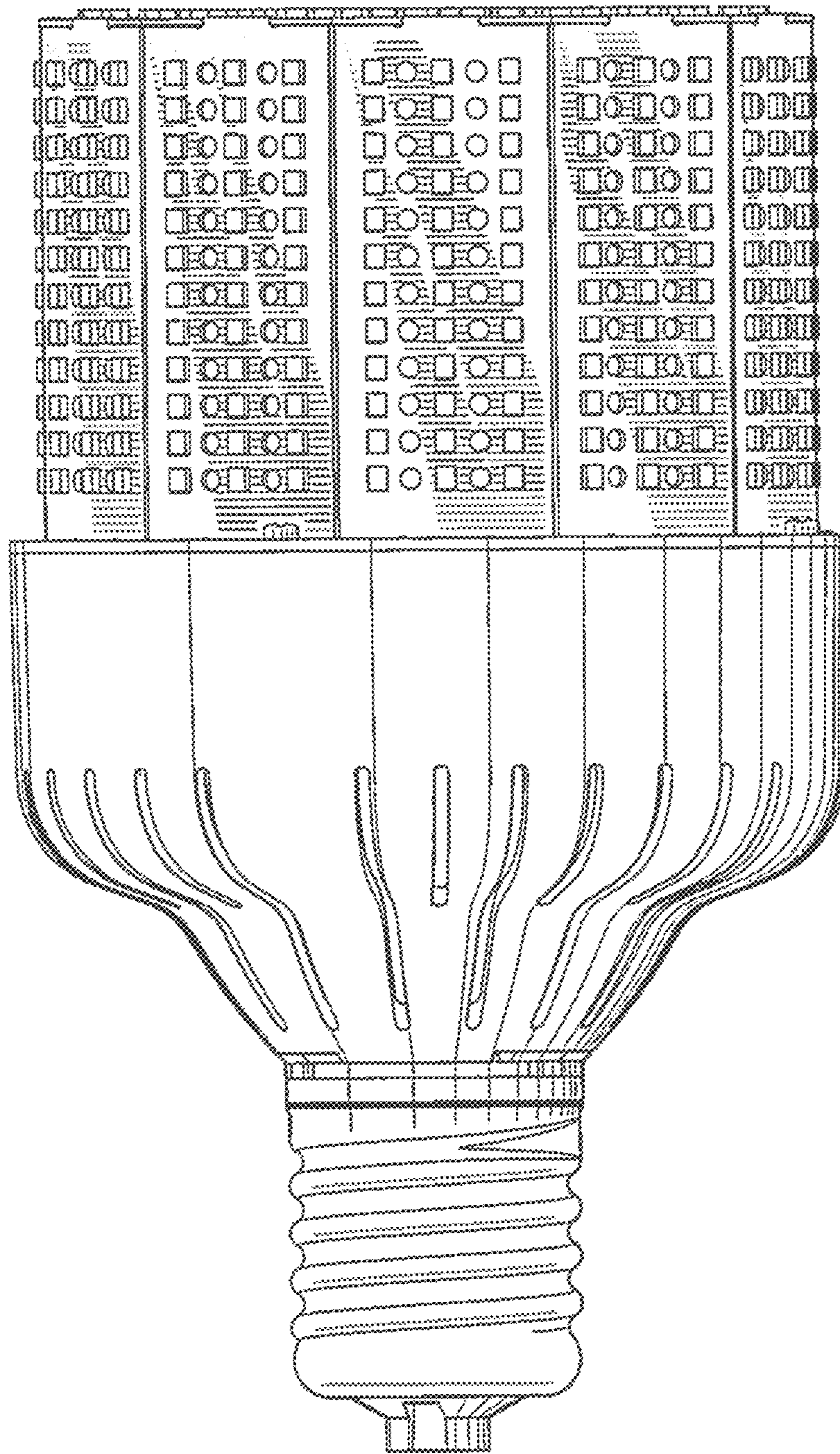


FIG. 3

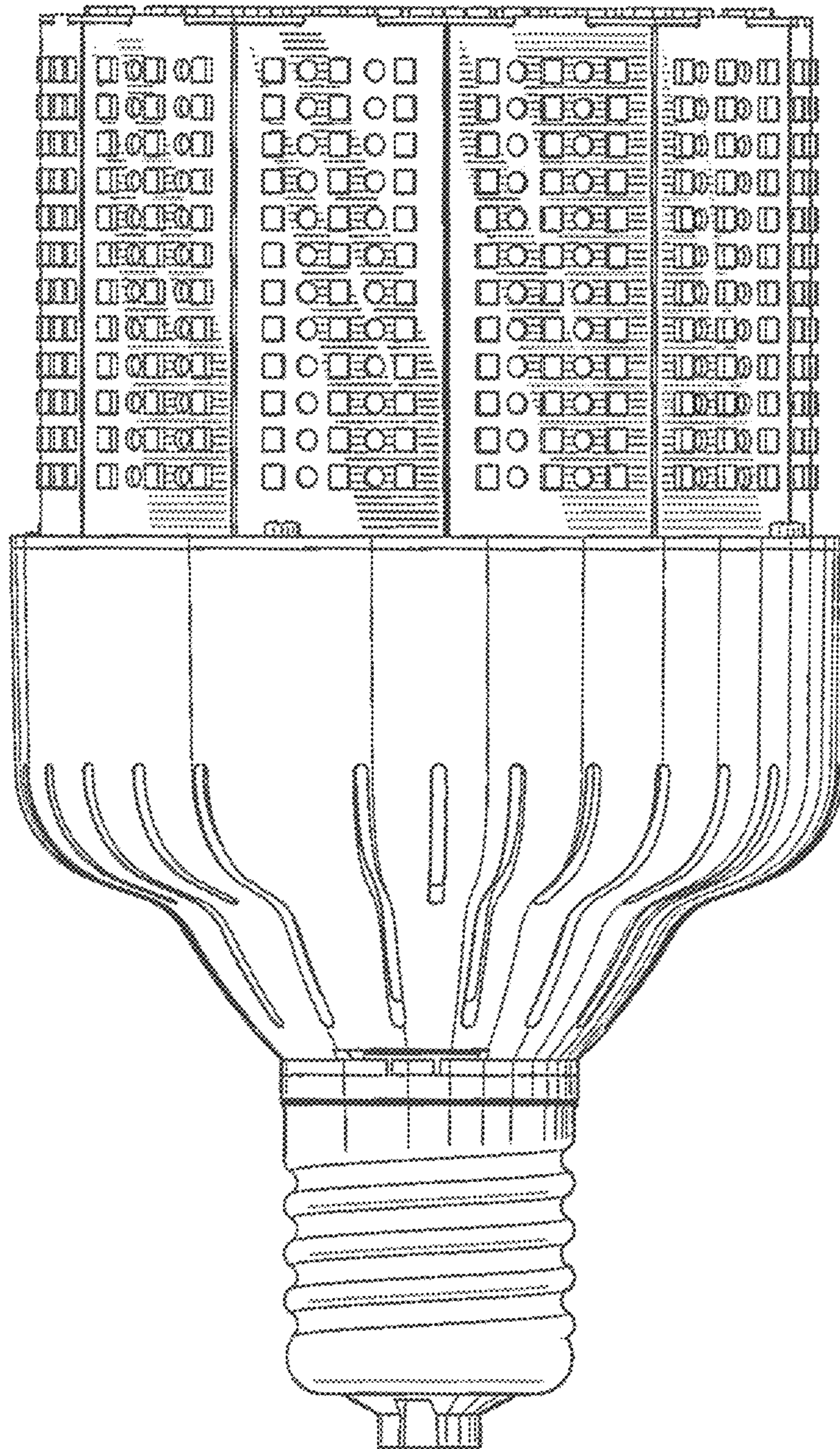


FIG. 4

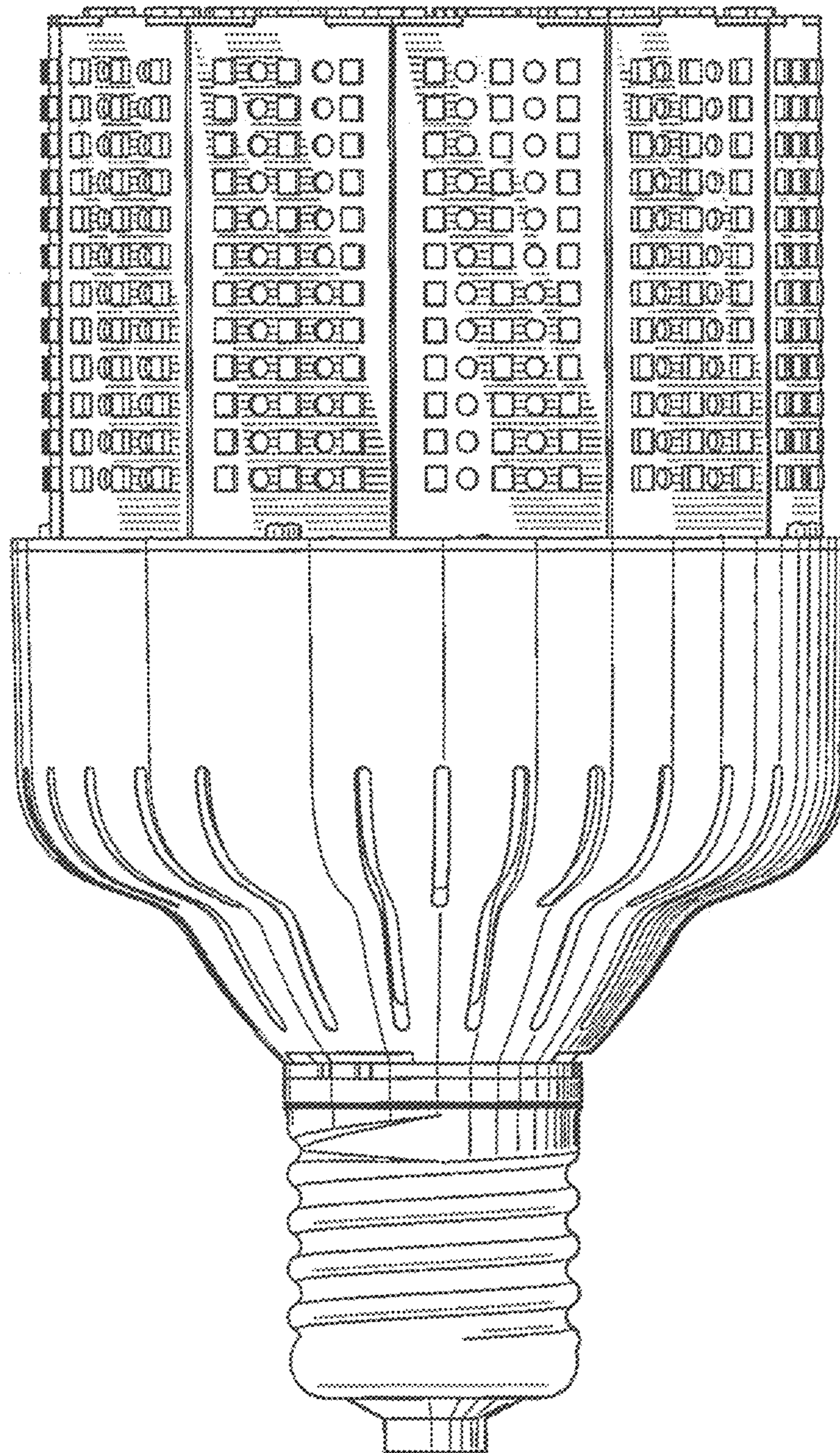
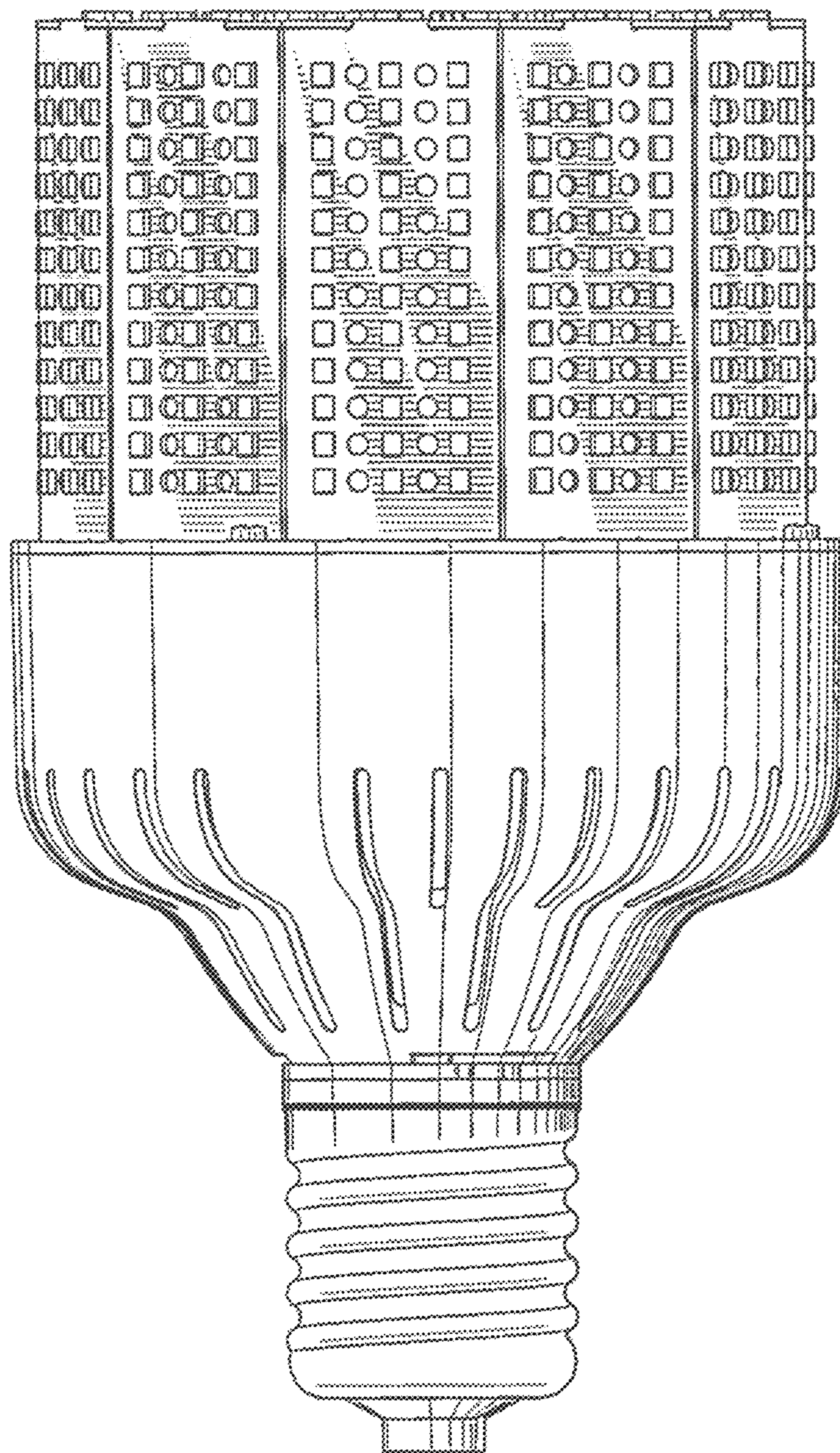


FIG. 5



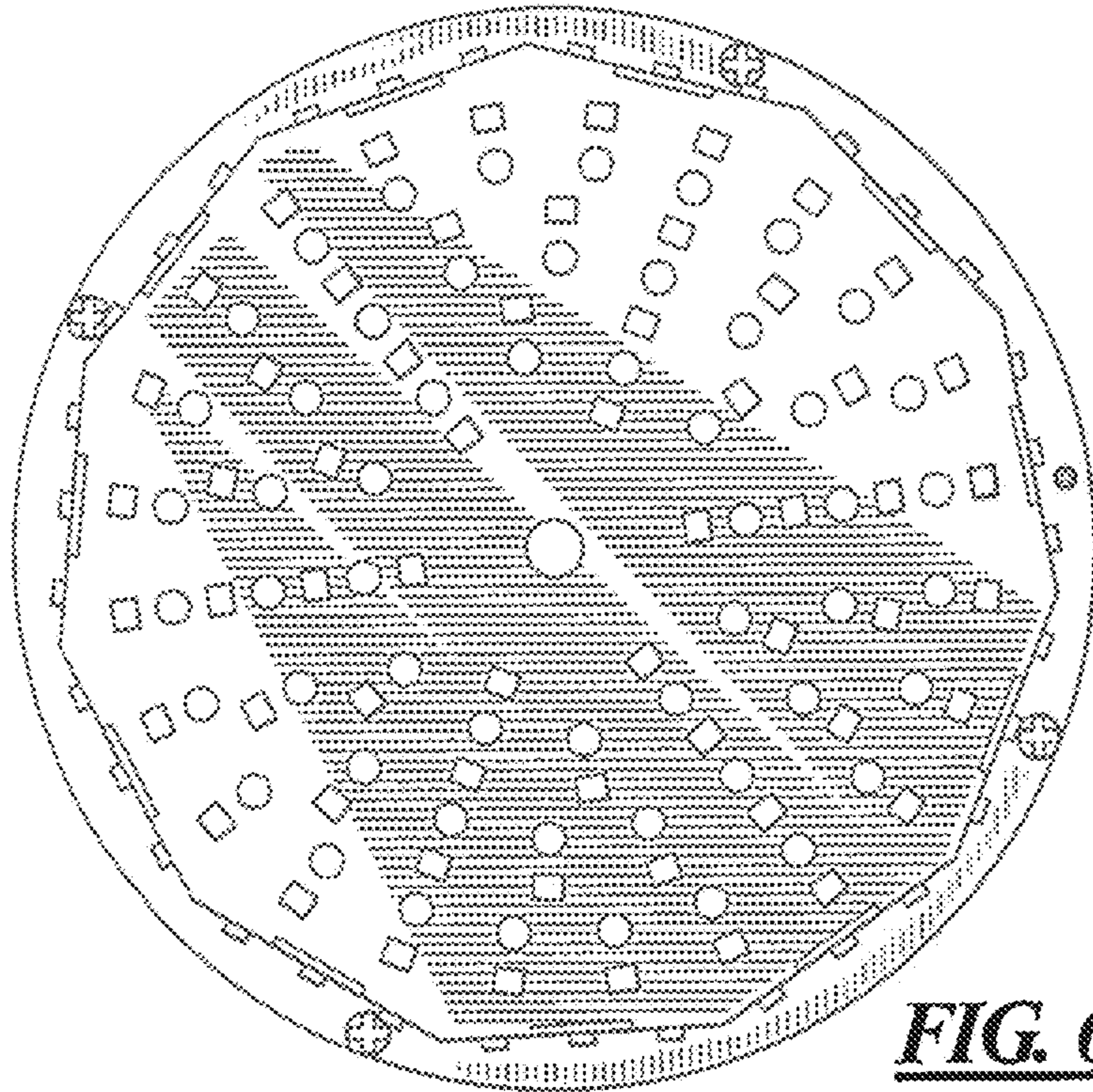


FIG. 6

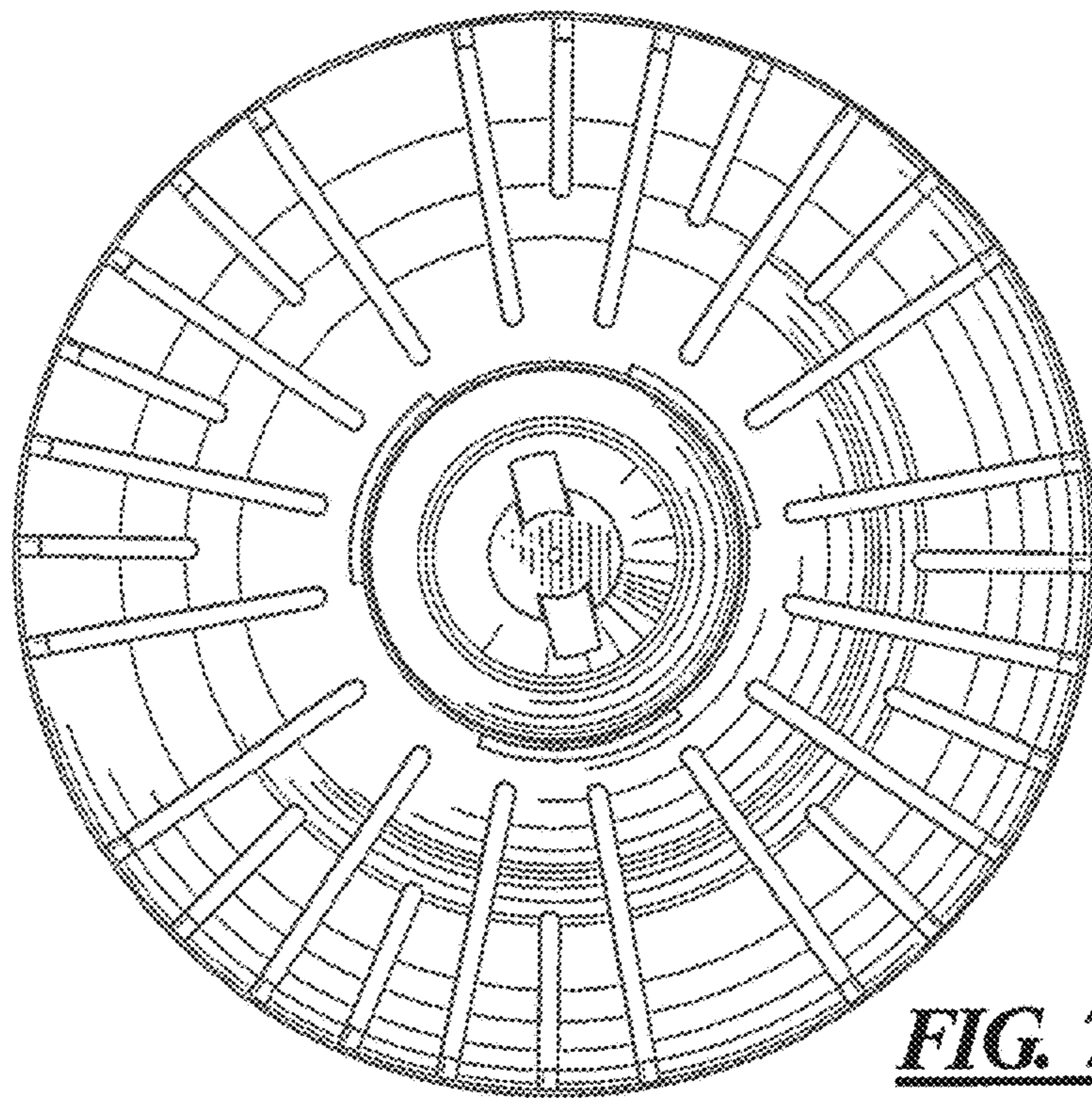


FIG. 7