



US00D819837S

(12) **United States Design Patent** (10) **Patent No.:** **US D819,837 S**
Katterheinrich et al. (45) **Date of Patent:** **** Jun. 5, 2018**

(54) **LIGHT FIXTURE**

- (71) Applicant: **TARGET BRANDS, INC.**,
Minneapolis, MN (US)
- (72) Inventors: **Kent D. Katterheinrich**, Shoreview,
MN (US); **Elizabeth Kern**,
Minneapolis, MN (US)
- (73) Assignee: **TARGET BRANDS, INC.**,
Minneapolis, MN (US)
- (**) Term: **15 Years**
- (21) Appl. No.: **29/609,266**
- (22) Filed: **Jun. 29, 2017**

Related U.S. Application Data

- (62) Division of application No. 29/563,107, filed on May 2, 2016, now Pat. No. Des. 800,927.
- (51) **LOC (11) Cl.** **26-04**
- (52) **U.S. Cl.**
USPC **D26/1**
- (58) **Field of Classification Search**
USPC D26/1-4; 313/313, 315, 16, 317, 318,
313/493; 315/52, 53, 56, 57, 58
CPC H01R 5/00; H01R 13/46; H01R 13/514;
H01R 31/048; H01R 31/02; H01J 5/00;
H01J 5/16; H01J 15/00; H01J 5/48; H01J
5/50; H01J 19/54; F21V 5/00
See application file for complete search history.

(56) **References Cited**

U.S. PATENT DOCUMENTS

2,694,137	A	11/1954	Williams	
D306,768	S	3/1990	Yuen	
D606,673	S *	12/2009	Kao	D26/3
7,661,839	B2	2/2010	Tsai	
D616,118	S *	5/2010	Thomas	D26/2
D622,886	S *	8/2010	Zheng	D26/69

(Continued)

OTHER PUBLICATIONS

“Special Art Lighting Living Room Hotel Project Corridor Hallway Bedroom Clubs Acrylic Floor Lamp”, printed from www.aliexpress.com/item/Special-art-lighting-living-room-hotel...ct-corridor-hallway-bedroom-clubs-acrylic-floor-lamp/32338002086.html, publicly available at least as early as Aug. 5, 2015 (3 pages).

(Continued)

Primary Examiner — Marcus Jackson

(74) *Attorney, Agent, or Firm* — JoAnn M. Seaton; Griffiths & Seaton PLLC

(57) **CLAIM**

The ornamental design for a light fixture, as shown and described.

DESCRIPTION

This application is related to U.S. patent application Ser. No. 15/144,315, filed on May 2, 2016, and U.S. patent application Ser. No. 29/609,276, filed on Jun. 29, 2017. It is understood that any material in U.S. patent application Ser. No. 15/144,315 and 29/609,276 that is not present in this application forms no part of the claimed design.

FIG. 1 is a top, front perspective view of a light fixture showing our new design;

FIG. 2 is a front view thereof, the rear view being a mirror image of the front view;

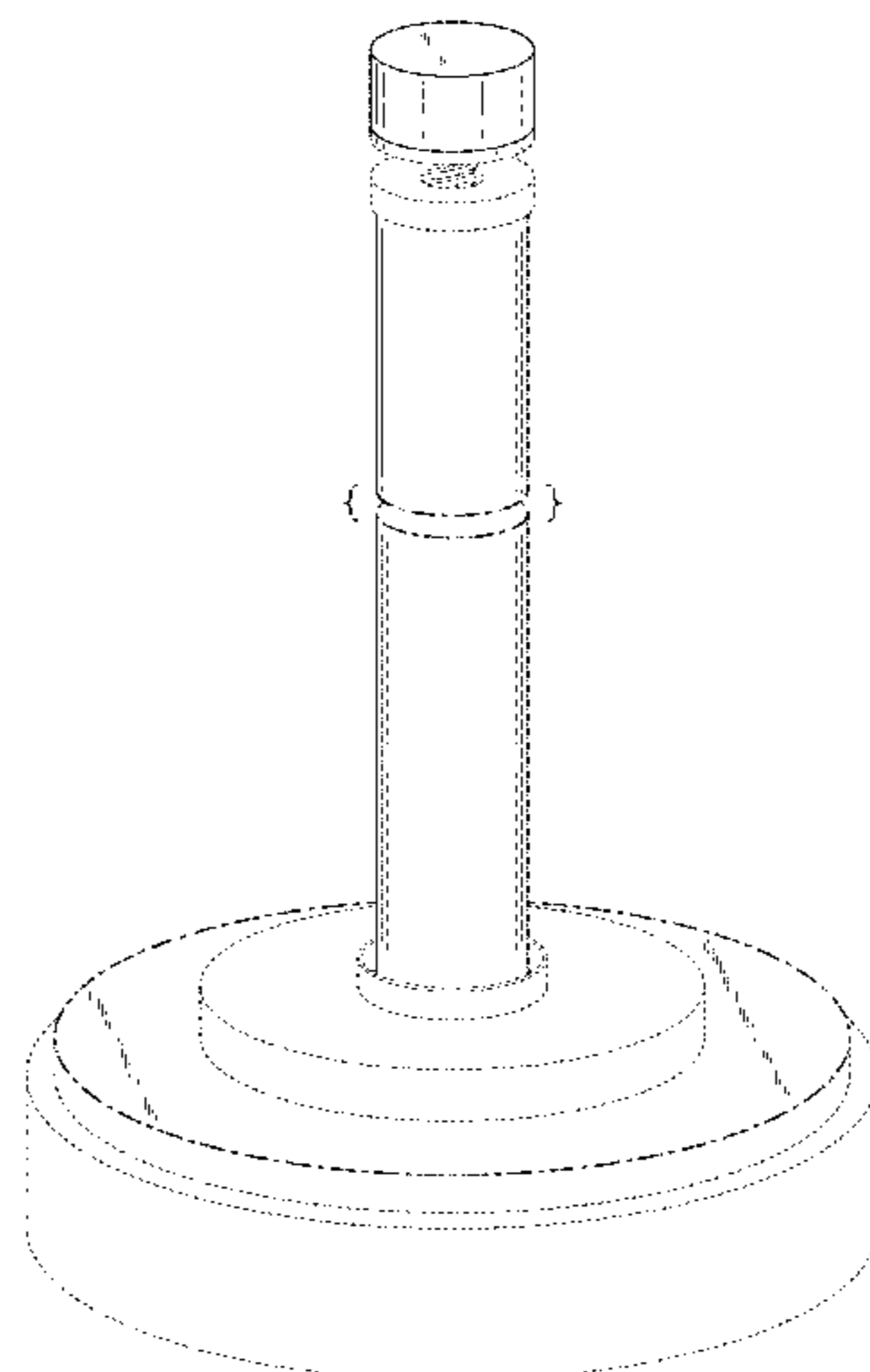
FIG. 3 is a right side view thereof, the left view being a mirror image of the right side view;

FIG. 4 is a top view thereof; and,

FIG. 5 is a bottom view thereof.

In the drawings, the broken lines depict unclaimed subject matter only and form no part of the claimed design. The features shown in long dash-short dash bolded broken lines indicate the bounds of the claimed design and otherwise form no part of the claimed design, with brackets indicating indeterminate length of the claimed subject matter.

1 Claim, 5 Drawing Sheets



(56)

References Cited

U.S. PATENT DOCUMENTS

7,815,333 B2 10/2010 Liu
 7,946,741 B2 5/2011 Nichols
 8,177,388 B2 5/2012 Yen
 D662,629 S 6/2012 Tung et al.
 D663,442 S 7/2012 Tickner et al.
 D674,930 S 1/2013 Zhang
 D691,744 S 10/2013 Tseng
 D698,054 S 1/2014 He et al.
 8,678,611 B2 3/2014 Chu et al.
 D701,986 S 4/2014 Goeckel
 D711,573 S 8/2014 Payne
 D715,974 S 10/2014 Tunze et al.
 D717,477 S 11/2014 Nakamura et al.
 8,876,324 B2 11/2014 Seehof
 D723,193 S 2/2015 Taylor et al.
 8,974,078 B2 3/2015 Lin
 9,033,541 B2 5/2015 Porter
 D732,718 S 6/2015 Amrine, Jr.

2006/0152916 A1 7/2006 Lee
 2013/0058074 A1 3/2013 Somei et al.
 2015/0029742 A1 1/2015 Chen
 2015/0292696 A1 10/2015 Soofer

OTHER PUBLICATIONS

“My New Flame LED Table Lamp”, printed from <http://store.luminaire.com/lighting/my-new-flame>, publicly available at least as early as Jan. 14, 2015, per <http://web.archive.org> (1 page).
 “Modern Floor Lamp with White Shades in Teak Finish”, printed from www.destinationlighting.com/item/modern-floor-lamp-white-shades-teak-finish/P666196?q=P666196&newSearch=n, publicly available at least as early as Aug. 19, 2015 (1 page).
 “Adesso Home Lighting Angelina Natural Accent Lamp”, printed from www.destinationlighting.com/item/adesso-home-lighting-angelina-natural-accent-lamp/P854406?q=P854406&newSearch=n, publicly available at least as early as Aug. 19, 2015 (1 page).

* cited by examiner

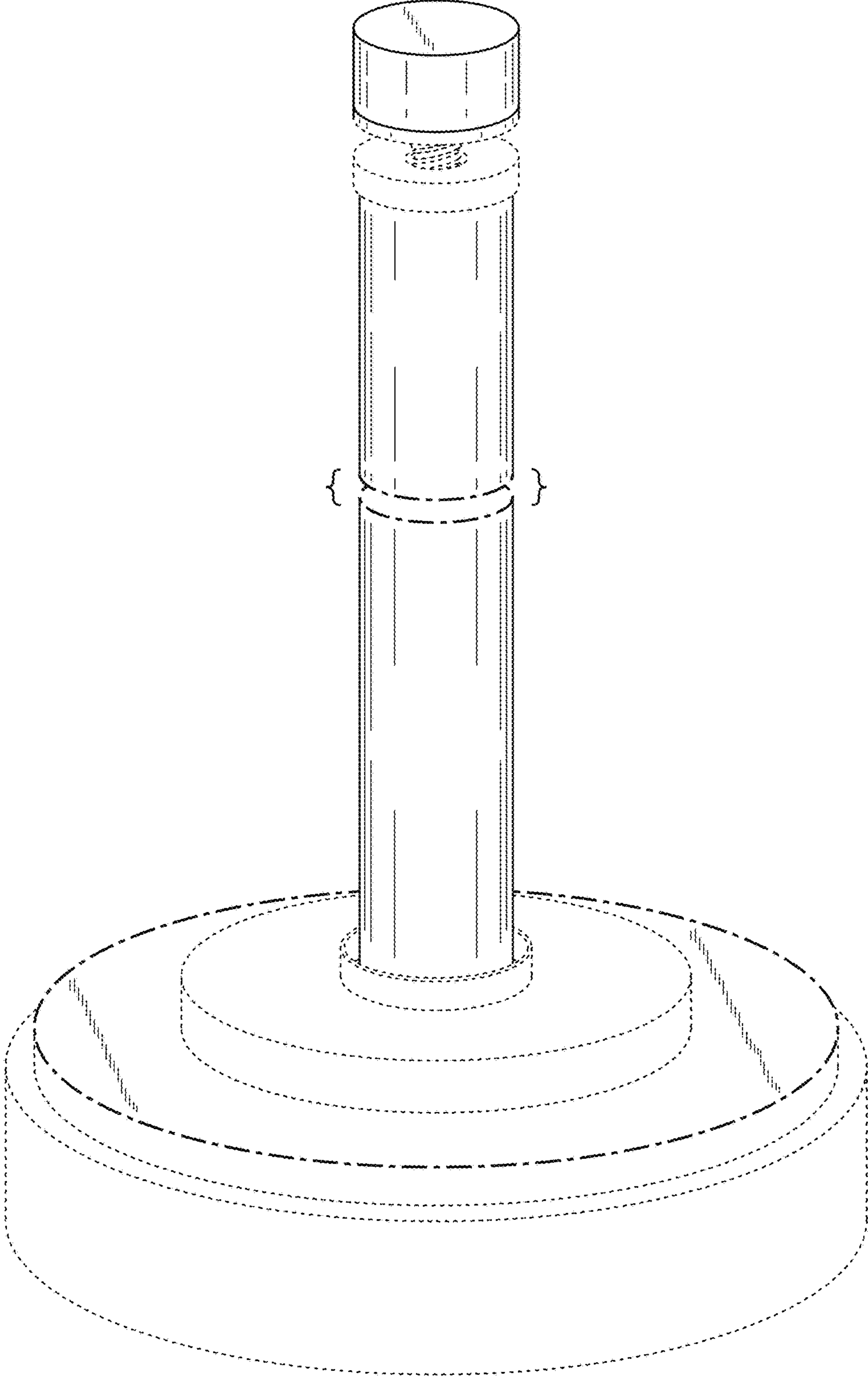


FIG. 1

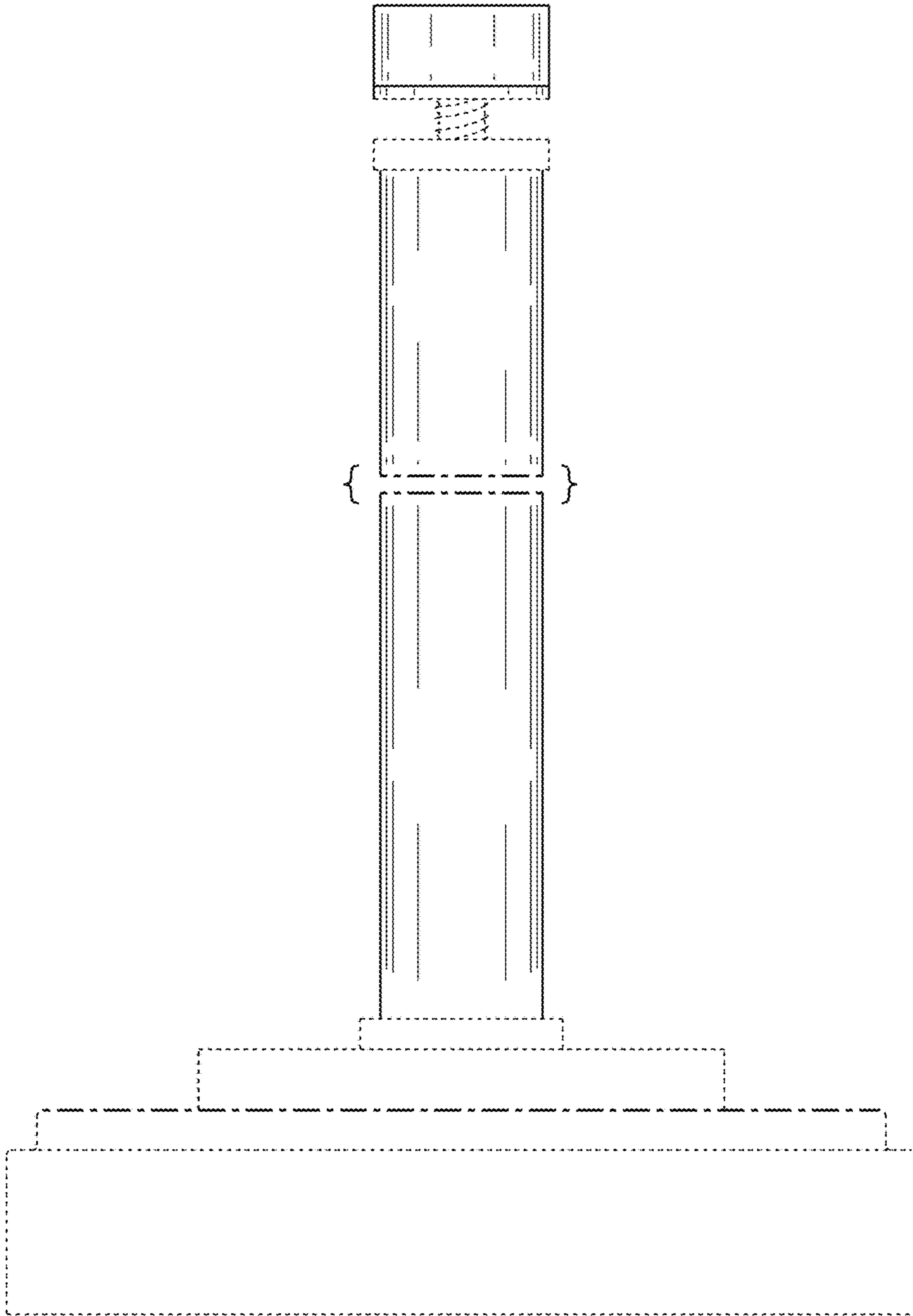


FIG. 2

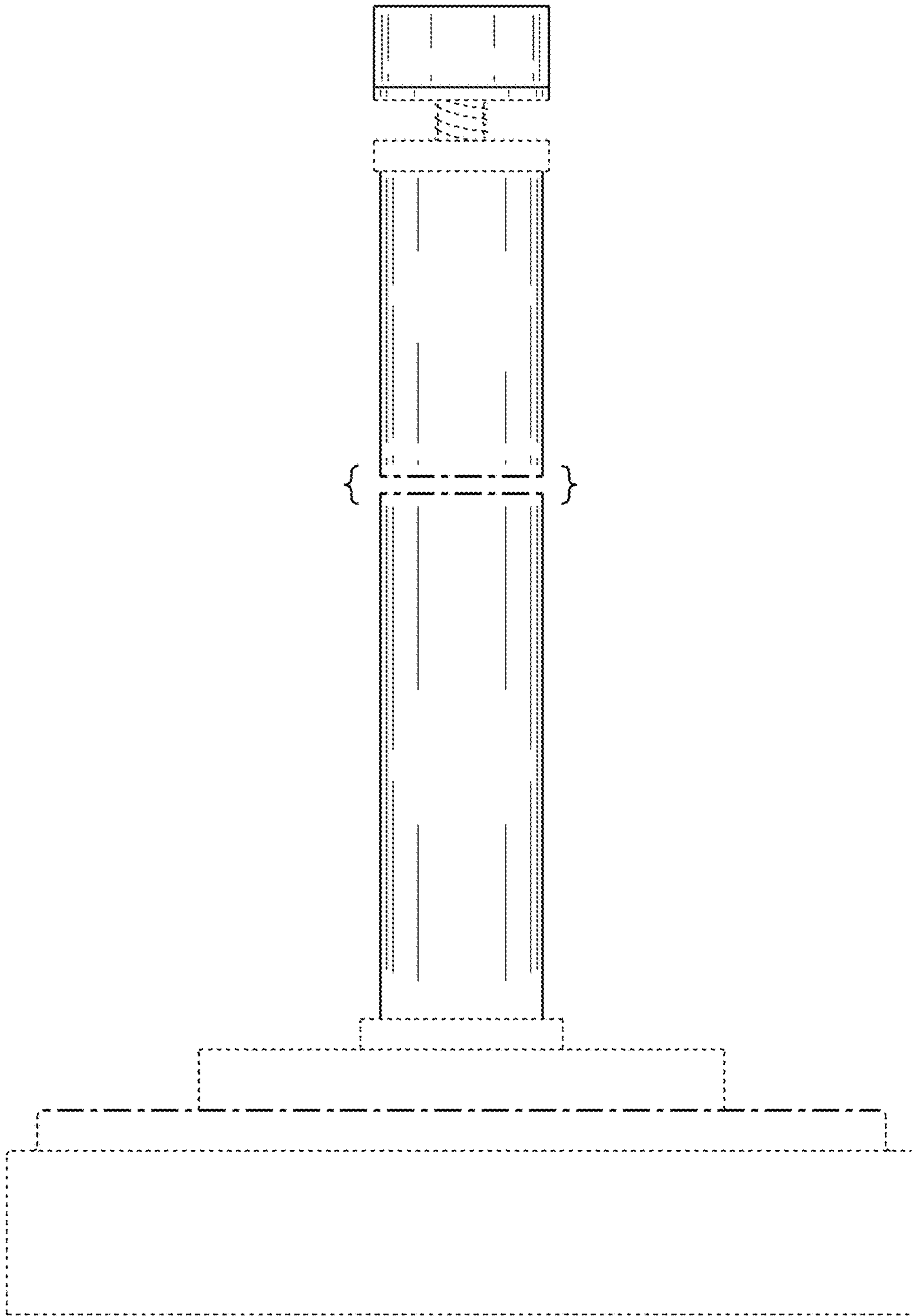


FIG. 3

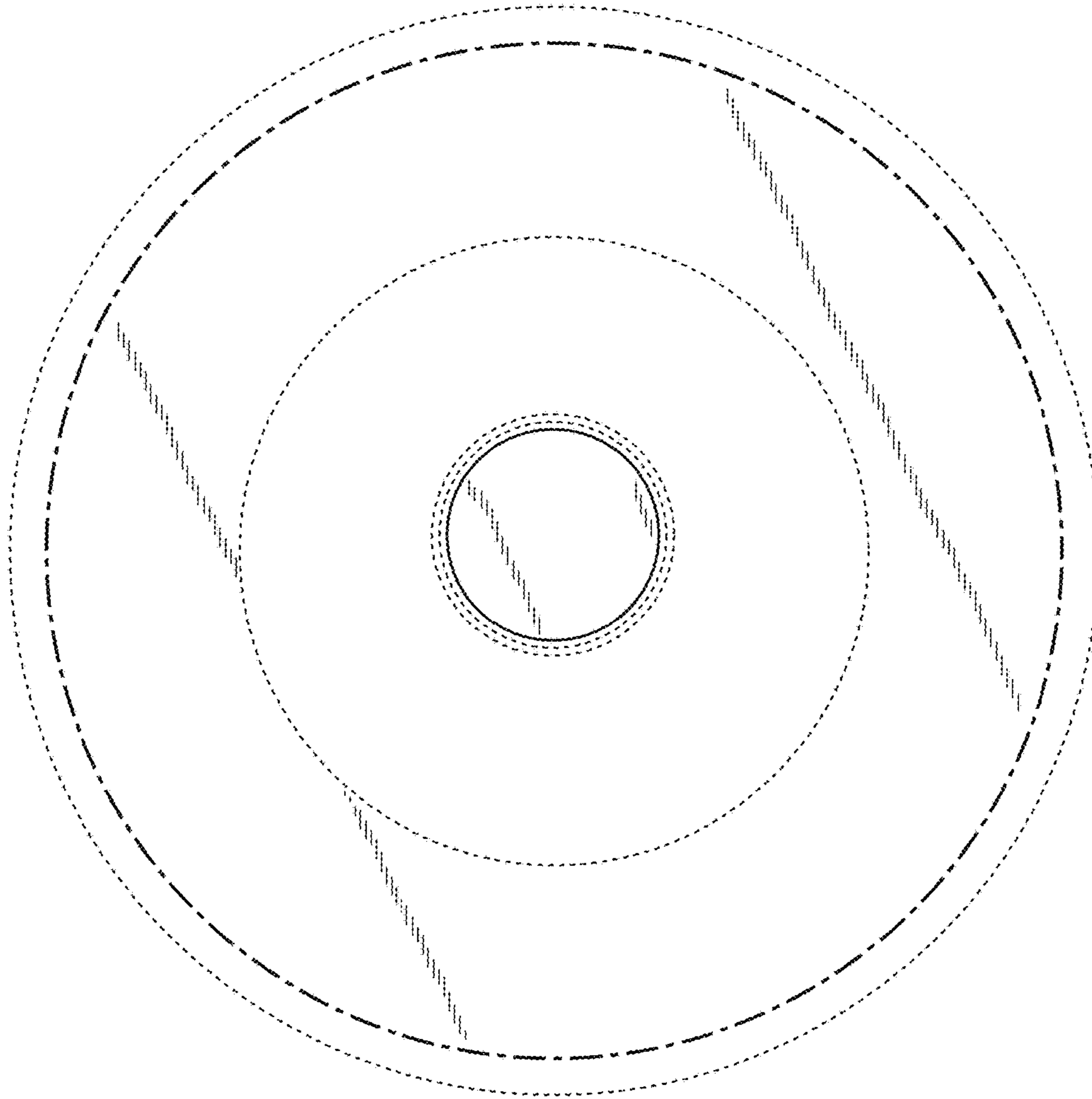


FIG. 4

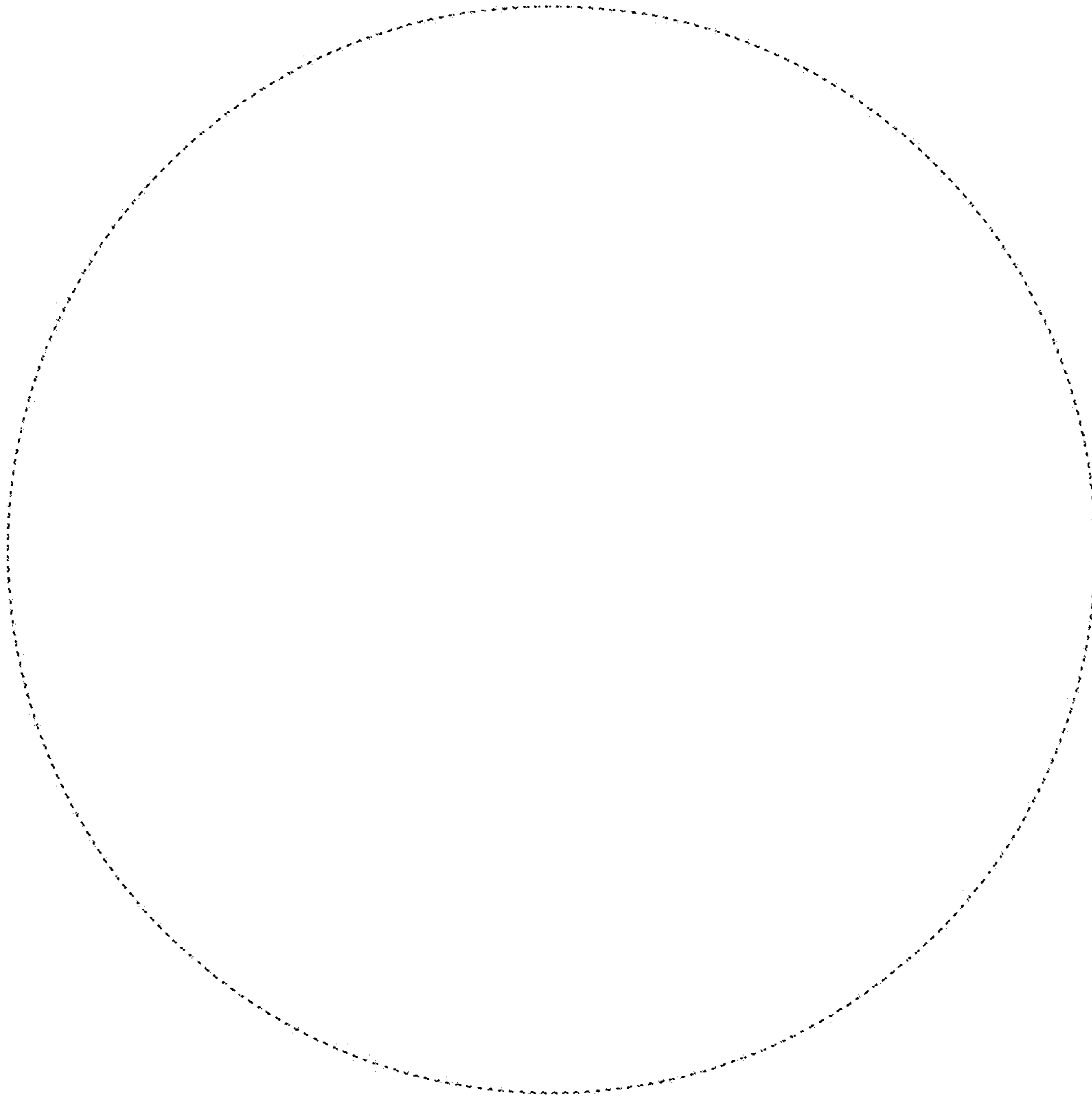


FIG. 5