



US00D819835S

(12) **United States Design Patent**
Kligman

(10) **Patent No.: US D819,835 S**

(45) **Date of Patent: ** Jun. 5, 2018**

(54) **ARCHITECTURAL MOLDING**

(71) Applicant: **Eitan Kligman**, Kfar Shmariahu (IL)

(72) Inventor: **Eitan Kligman**, Kfar Shmariahu (IL)

(73) Assignee: **E.R. APEX ISRAEL (MARKETING) LTD**, Netanya (IL)

(**) Term: **15 Years**

(21) Appl. No.: **29/585,349**

(22) Filed: **Nov. 23, 2016**

(51) **LOC (11) Cl. 25-01**

(52) **U.S. Cl.**
USPC **D25/136**

(58) **Field of Classification Search**
USPC D25/119–137, 164, 199; D12/223, 400;
D34/35; D20/42–44; D26/138; D8/349,
D8/354, 376, 377, 378, 380, 381;
D6/702, 709, 712, 719

CPC ... E04C 3/00; E04C 3/005; E04C 3/02; E04C
3/04; E04C 3/12; E04C 3/20; E04C 3/28;
E04C 3/30; E04F 19/02; E04F 19/022;
E04F 19/026; E04F 19/028; E04F 19/04;
E04F 19/0436; E04F 19/0481; E04F
19/0486; E04F 19/06; E04F 19/061;
E06B 1/00; E06B 1/006; E06B 1/02;
E06B 1/04; E06B 1/045; E06B 1/12;
E06B 1/16; E06B 1/34; E06B 1/342;
E06B 1/345; E06B 1/347; E06B 1/36;
E06B 1/363; E06B 1/366; E06B 1/38;
E06B 1/40; E06B 1/52; E06B 1/522;
E06B 1/524; E06B 1/526; E06B 1/528;
E06B 1/56; E06B 1/60; E06B 1/6092;
E06B 1/62; E06B 1/70; E06B 1/702;
E06B 1/705; E06B 1/707; E04B 2/00;
E04B 2/74; E04B 2/76; E04B 2/761;

E04B 2/762; E04B 2/763; E04B 2/764;
E04B 2/765; E04B 2/7854; E04B 2/7863;
E04B 2/7872; E04B 2/7881; E04B 2/789;
E04B 2001/2436; E04B 2001/2439; E04B
2001/2442; E04B 2001/2445; E04B
2001/2448; E04B 2001/2451; E04B
2001/2454; E04B 2001/2457; E04B
2001/246; E04B 2001/2463

See application file for complete search history.

(56) **References Cited**

U.S. PATENT DOCUMENTS

D301,304	S	*	5/1989	Will	D25/119
D659,854	S	*	5/2012	Kligman	D25/136
D659,855	S	*	5/2012	Kligman	D25/136
D659,856	S	*	5/2012	Kligman	D25/136
D660,987	S	*	5/2012	Kligman	D25/136
D661,412	S	*	6/2012	Kligman	D25/136
D662,653	S	*	6/2012	Hochman	D26/138
D780,329	S	*	2/2017	Li	D25/119

* cited by examiner

Primary Examiner — Cynthia Ramirez

Assistant Examiner — L. Martinez-Rivera

(57) **CLAIM**

The ornamental design for an architectural molding, as shown and described.

DESCRIPTION

FIG. 1 is a perspective view of an architectural molding showing my new design;

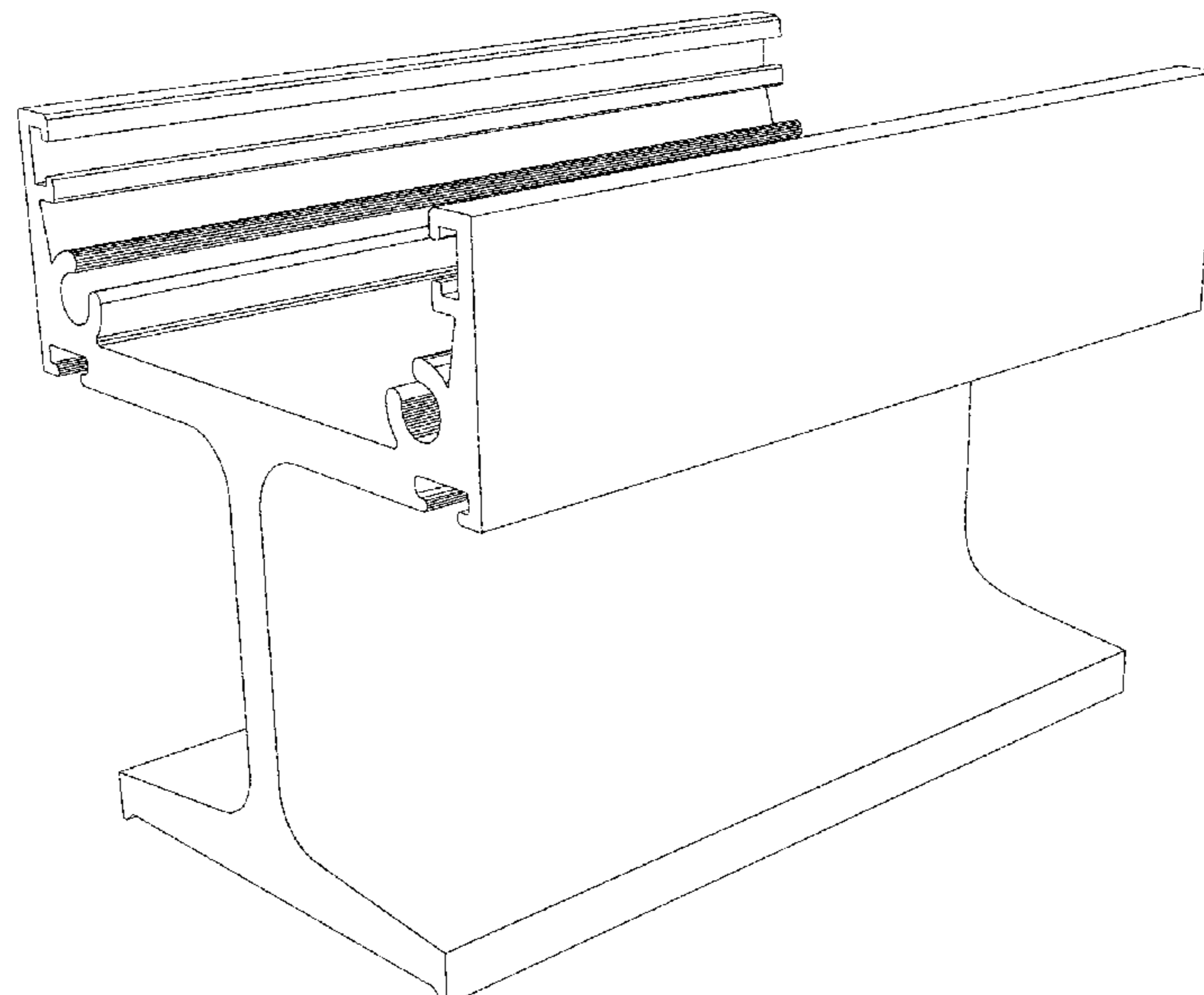
FIG. 2 is a front perspective view thereof;

FIG. 3 is a side perspective view thereof;

FIG. 4 is a top perspective view thereof; and,

FIG. 5 is a bottom perspective view thereof.

1 Claim, 5 Drawing Sheets



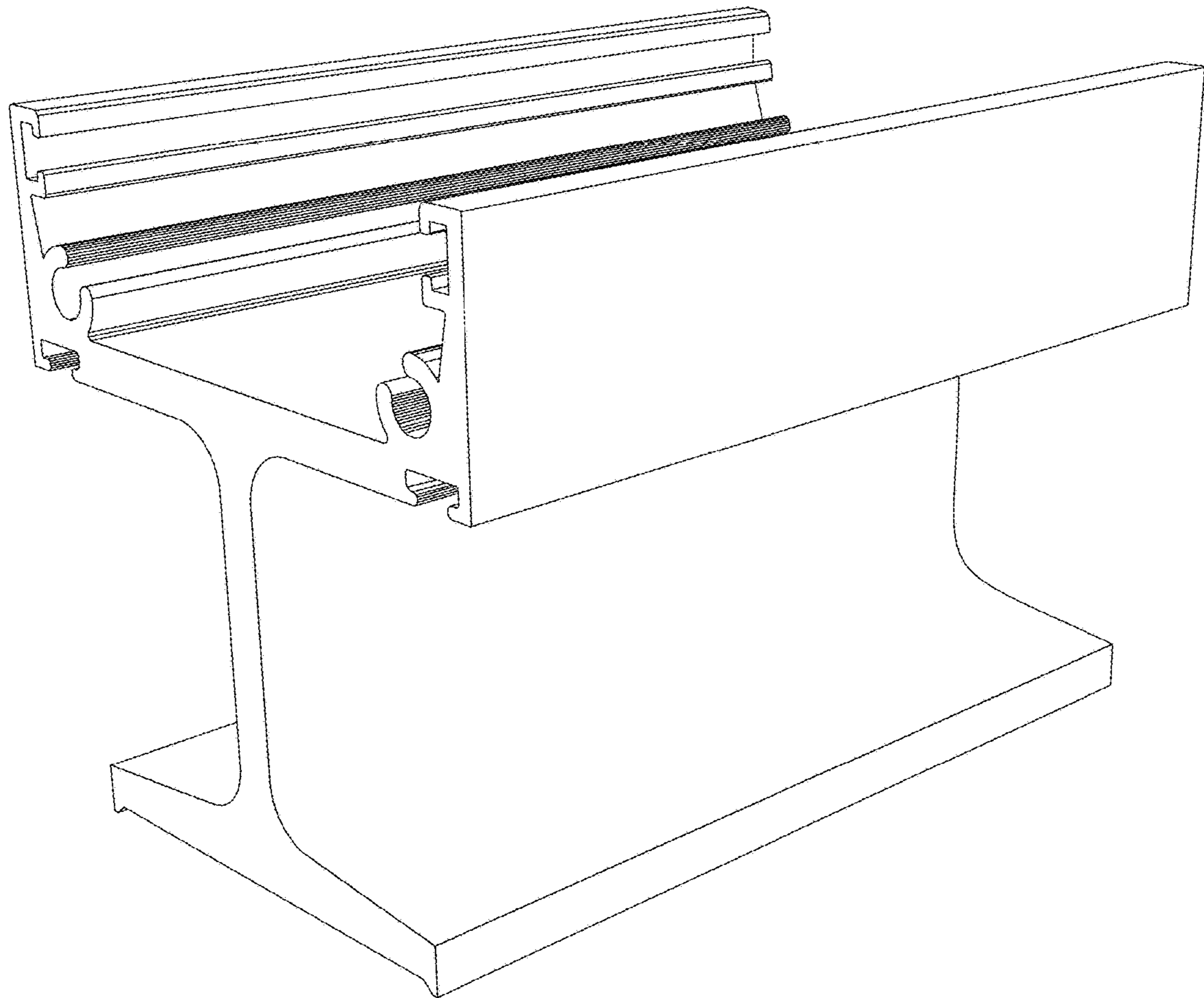


FIG. 1

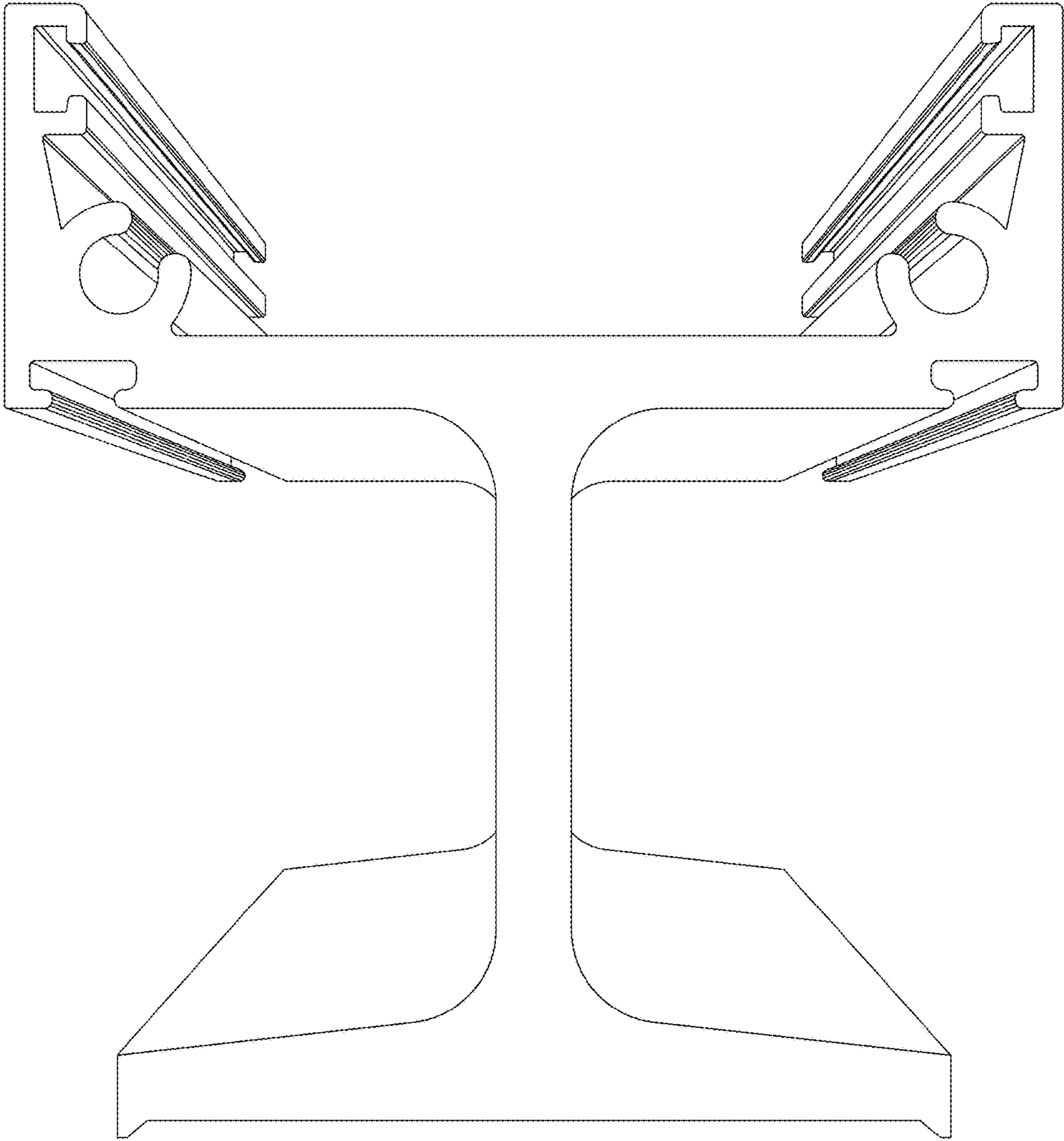


FIG. 2

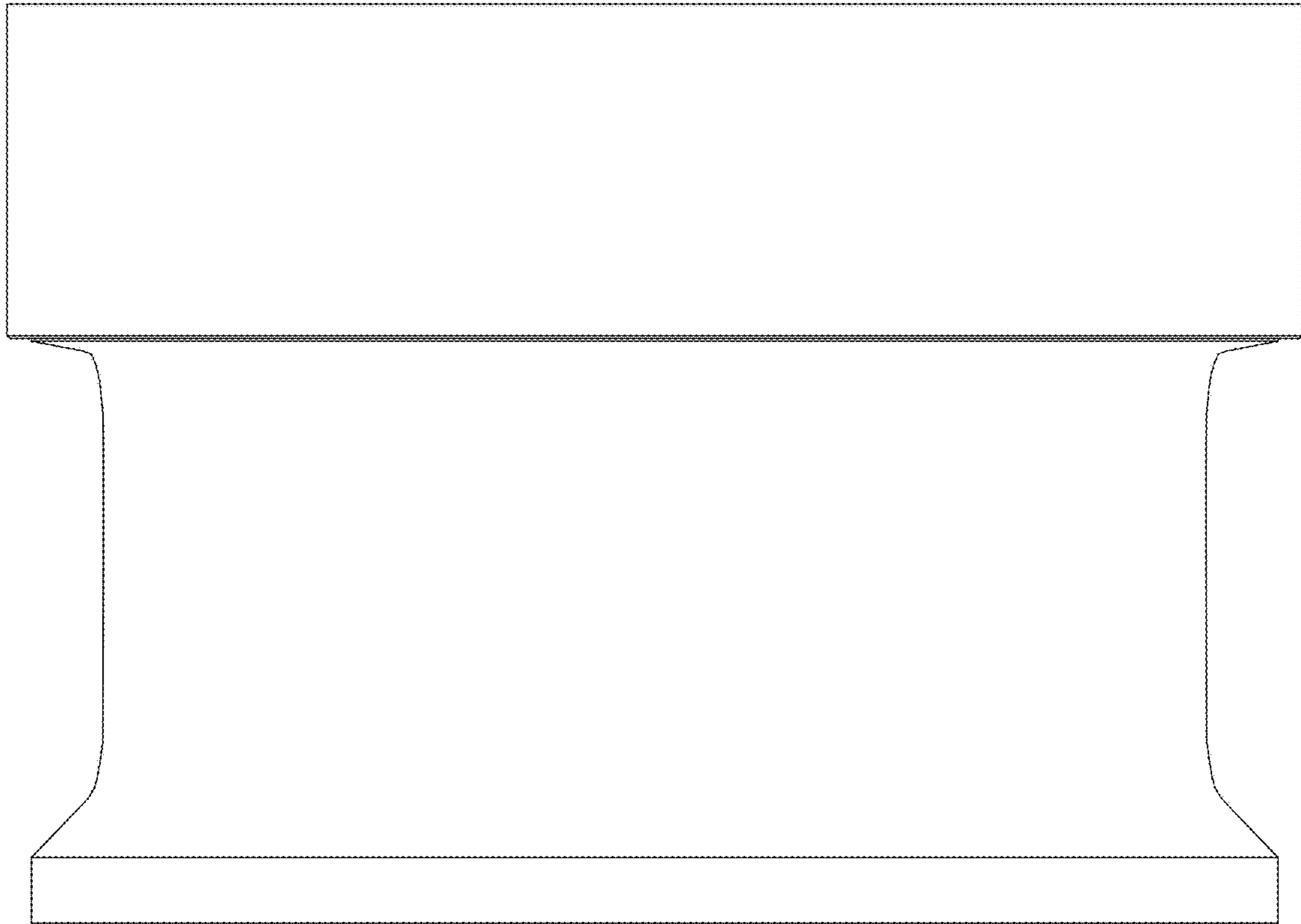


FIG. 3

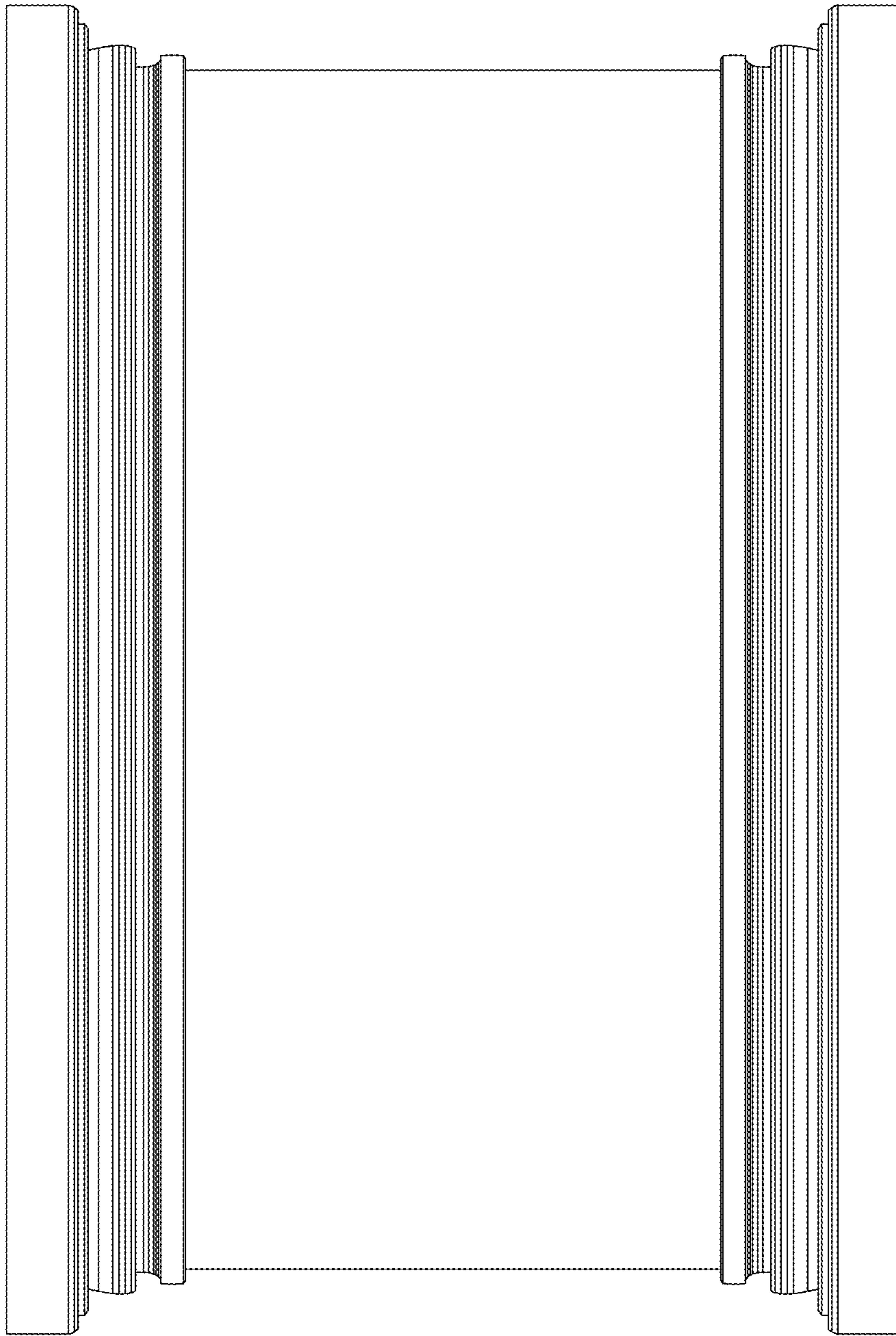


FIG. 4

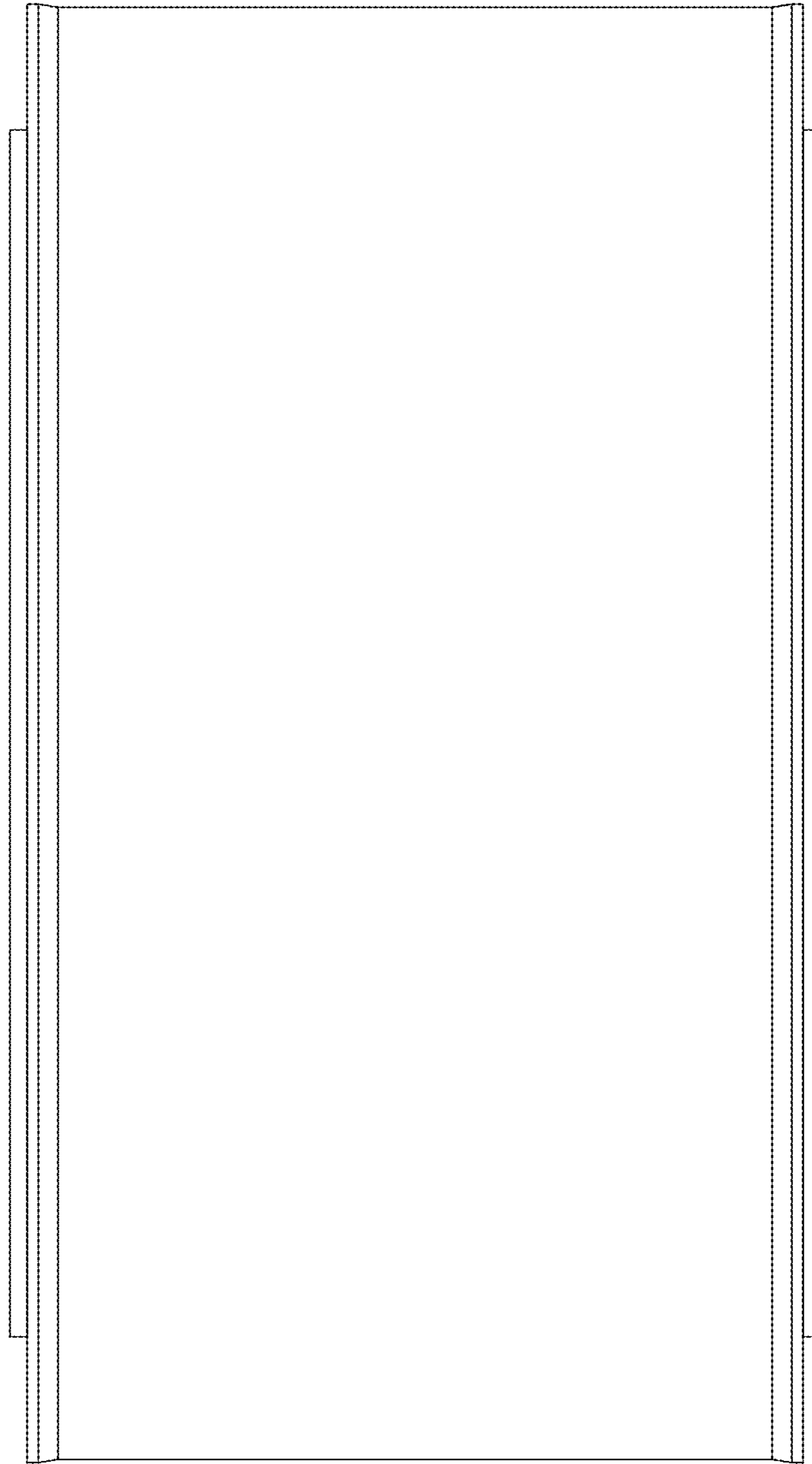


FIG. 5