



US00D819834S

(12) **United States Design Patent**
Fiedeler

(10) **Patent No.:** **US D819,834 S**
(45) **Date of Patent:** **** Jun. 5, 2018**

(54) **UNIVERSAL TRAY**

(71) Applicant: **Hailo-Werk Rudolf Loh GmbH & Co. KG**, Haiger (DE)

(72) Inventor: **Heinrich Fiedeler**, Wiesbaden (DE)

(73) Assignee: **Hailo-Werk Rudolf Loh GmbH & Co. KG**, Haiger (DE)

(**) Term: **15 Years**

(21) Appl. No.: **29/573,910**

(22) Filed: **Aug. 10, 2016**

(30) **Foreign Application Priority Data**

Feb. 10, 2016 (DE) 40 2016 100 134

(51) **LOC (11) Cl.** **25-04**

(52) **U.S. Cl.**
USPC **D25/68**

(58) **Field of Classification Search**
USPC D8/349, 373, 382, 499; D25/68, 69;
248/210; 182/129, 151, 70, 222;
220/570
CPC E06C 1/10; E06C 7/46; E06C 7/50
See application file for complete search history.

(56) **References Cited**

U.S. PATENT DOCUMENTS

D447,818 S * 9/2001 Weber D25/68
6,443,260 B1 * 9/2002 Katz B25H 3/06
182/129
D500,145 S * 12/2004 Cromberg D25/68
D771,479 S * 11/2016 Slater D8/382
2004/0108164 A1 * 6/2004 Pruet E06C 7/14
182/129
2013/0037552 A1 * 2/2013 Kells B44D 3/14
220/570

(Continued)

OTHER PUBLICATIONS

Hailo "Hailo XXL" https://www.hailo-home.de/de/produkte/klapptritte-haushaltsleitern/haushaltsleitern.html?p=1869_hailo-xxl. Aug. 24, 2017. shown in p. 1 and 2, Item # Hailo XXL.*

Primary Examiner — Cynthia Ramirez

Assistant Examiner — Michael A Maharajh

(74) *Attorney, Agent, or Firm* — Edell, Shapiro & Finnan LLC

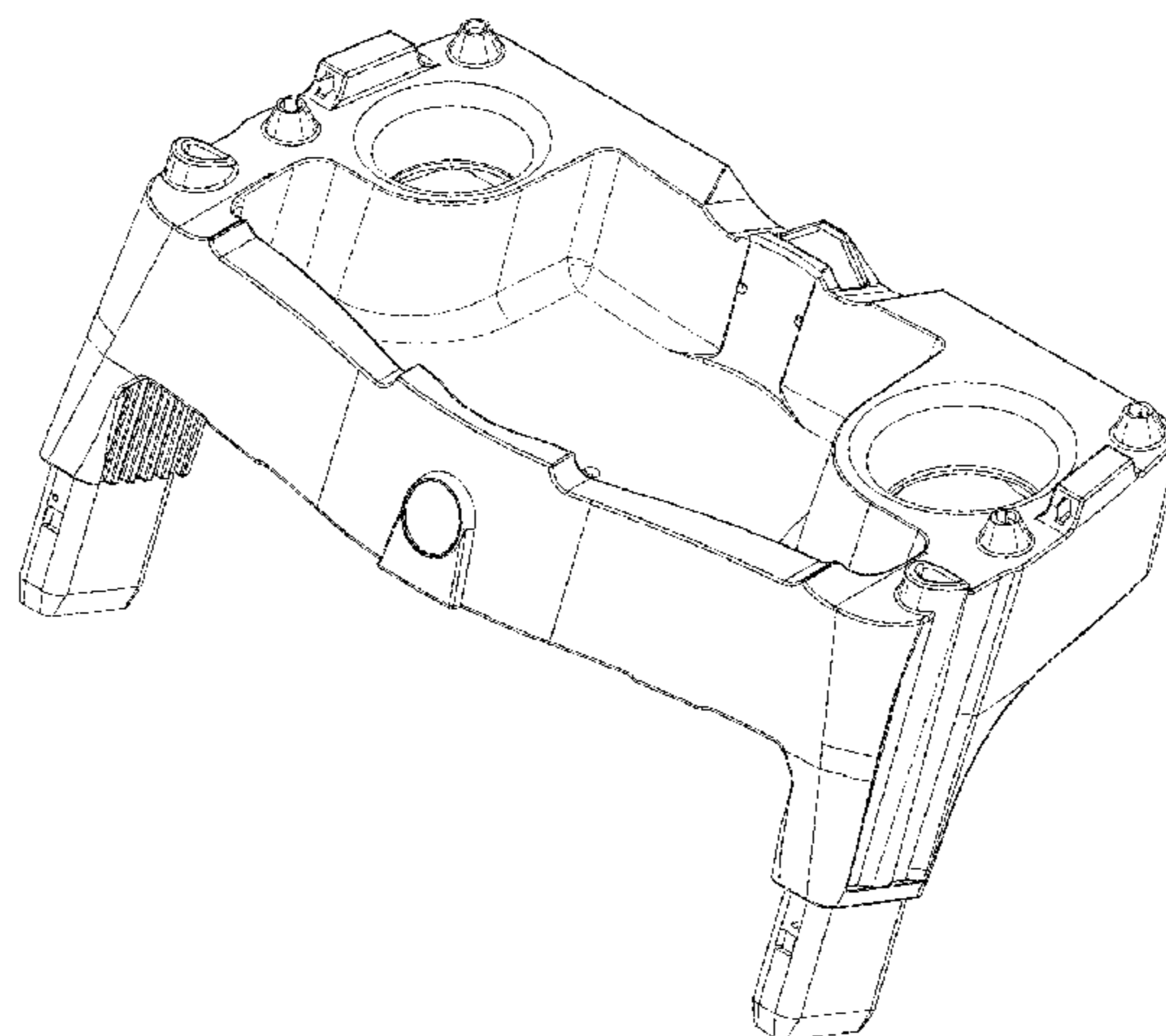
(57) **CLAIM**

The ornamental design for a universal tray, as shown and described.

DESCRIPTION

FIG. 1 is a front, right perspective view from above of a universal tray showing my new design;
FIG. 2 is a rear, right perspective view from above of the universal tray of FIG. 1;
FIG. 3 is a front, left perspective view from above of the universal tray of FIG. 1;
FIG. 4 is a rear, right perspective view from below of the universal tray of FIG. 1;
FIG. 5 is a rear, left perspective view from below of the universal tray of FIG. 1;
FIG. 6 is a front perspective view from below of the universal tray of FIG. 1;
FIG. 7 is a front elevation view of the universal tray of FIG. 1;
FIG. 8 is a rear elevation view of the universal tray of FIG. 1;
FIG. 9 is a right side elevation view of the universal tray of FIG. 1;
FIG. 10 is a left side elevation view of the universal tray of FIG. 1;
FIG. 11 is a top plan view of the universal tray of FIG. 1; and,
FIG. 12 is a bottom plan view of the universal tray of FIG. 1.

1 Claim, 11 Drawing Sheets



(56)

References Cited

U.S. PATENT DOCUMENTS

2014/0097190 A1* 4/2014 Kells B44D 3/125
220/570
2014/0332316 A1* 11/2014 Tiber B26D 7/01
182/129
2017/0234069 A1* 8/2017 Pfeifer E06C 7/14

* cited by examiner

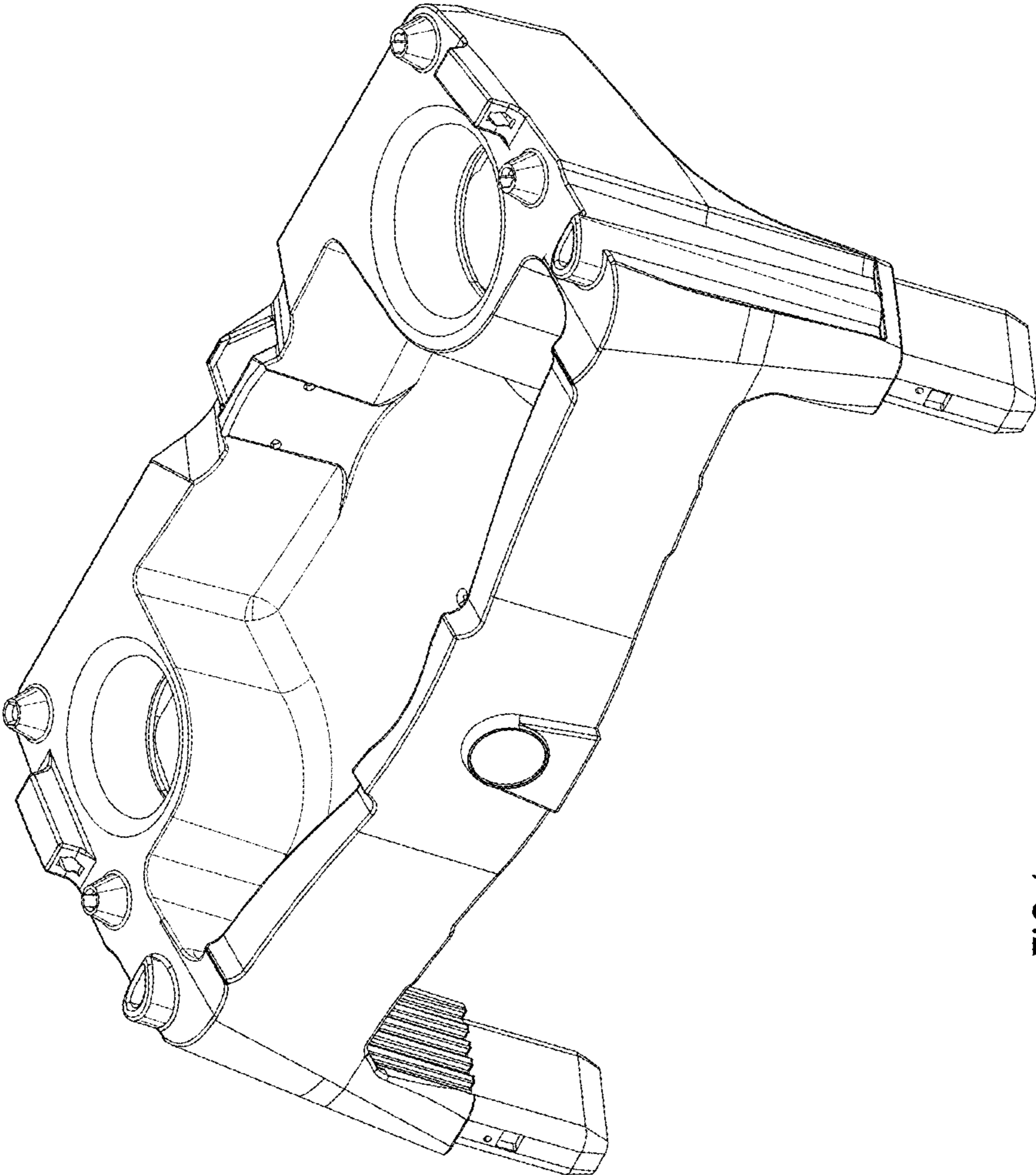


FIG.1

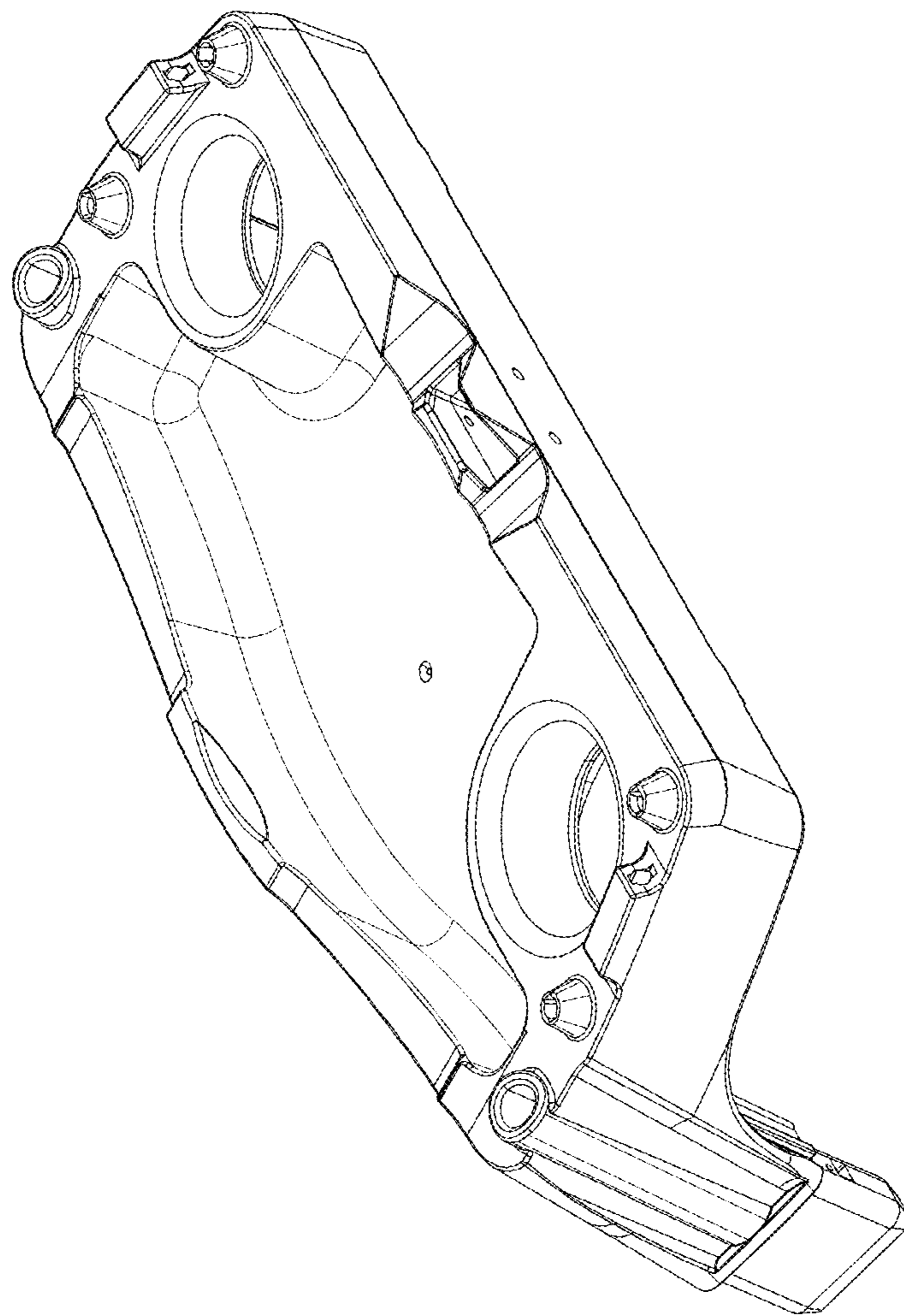


FIG.2

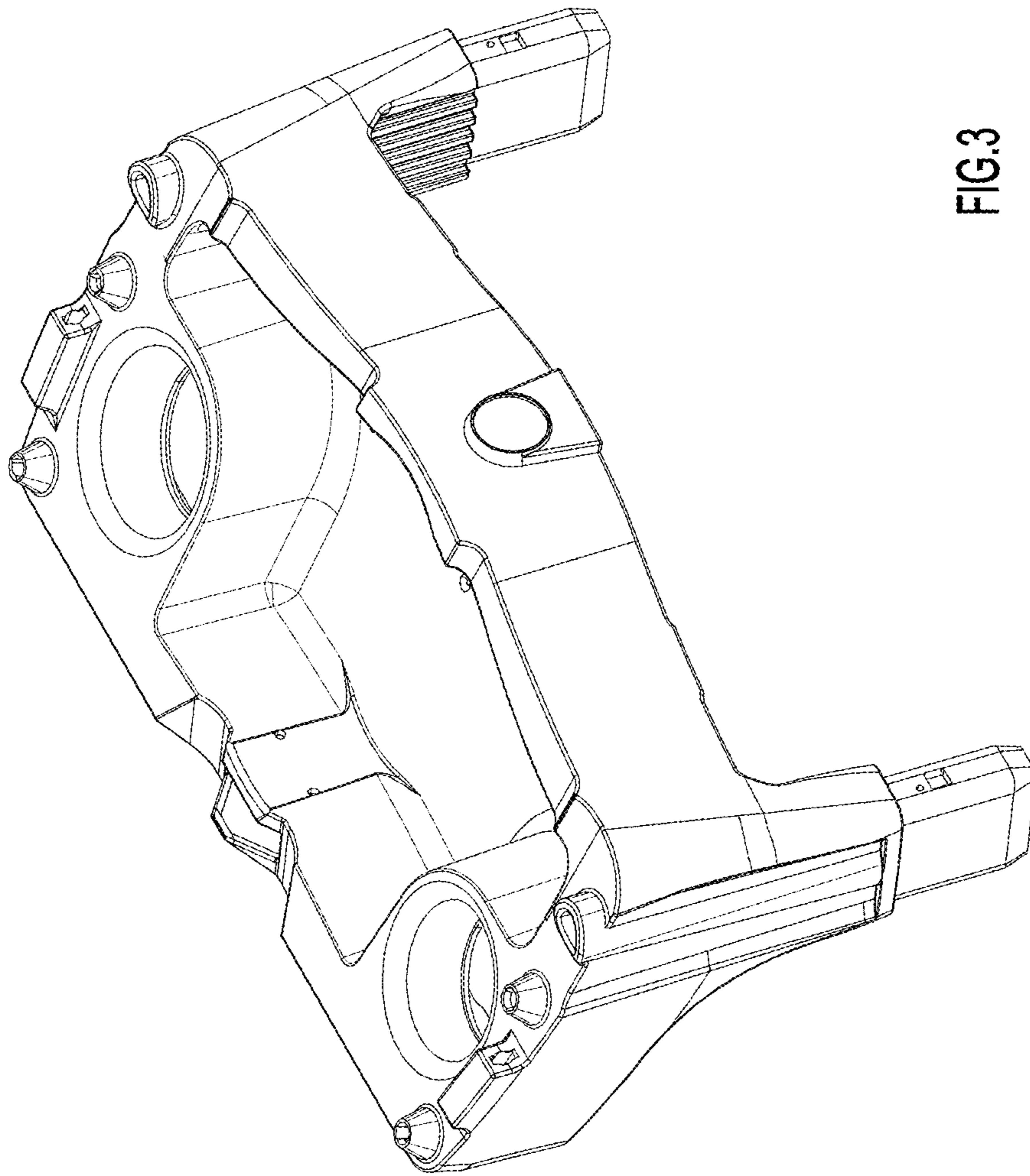


FIG. 3

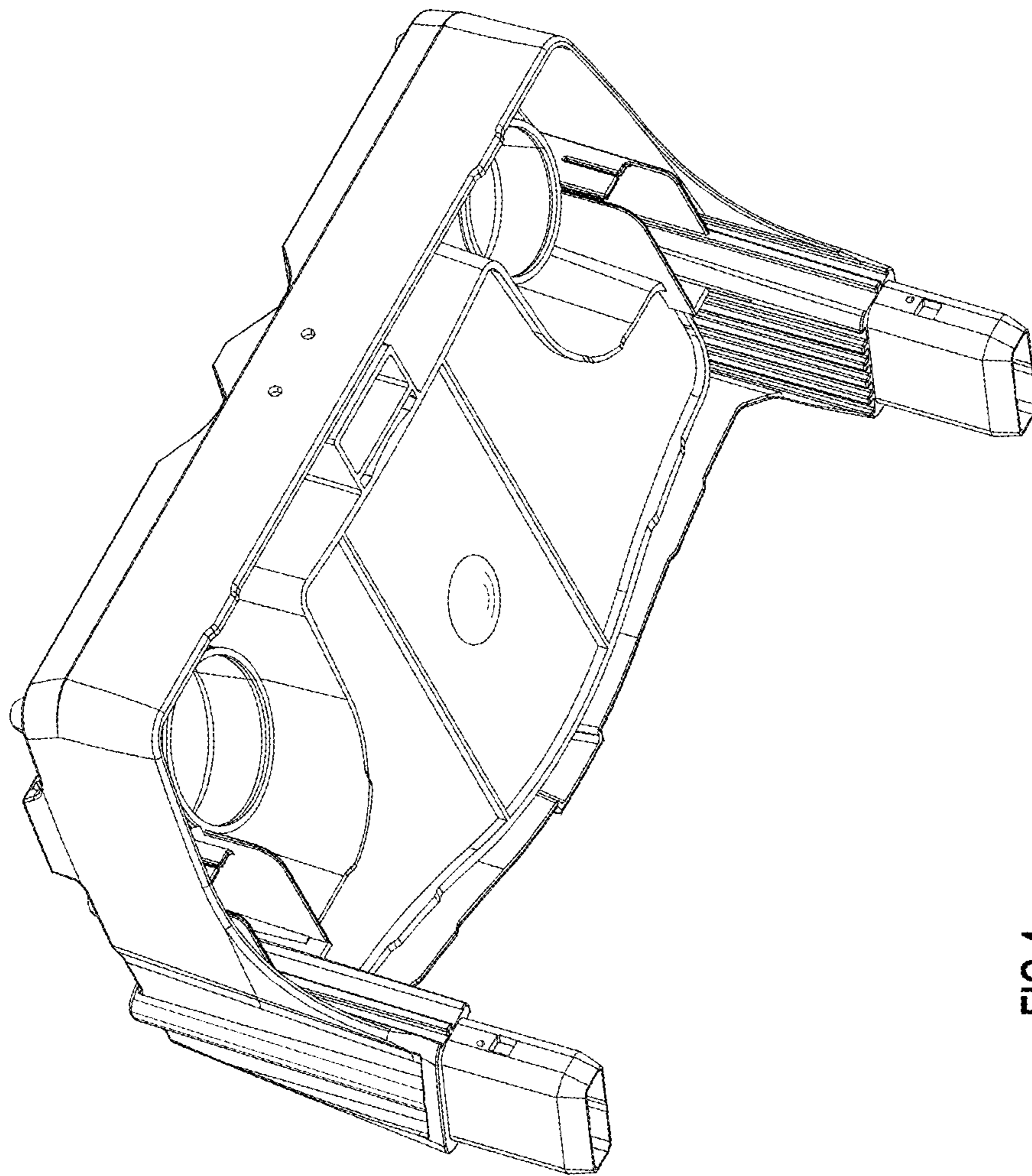


FIG. 4

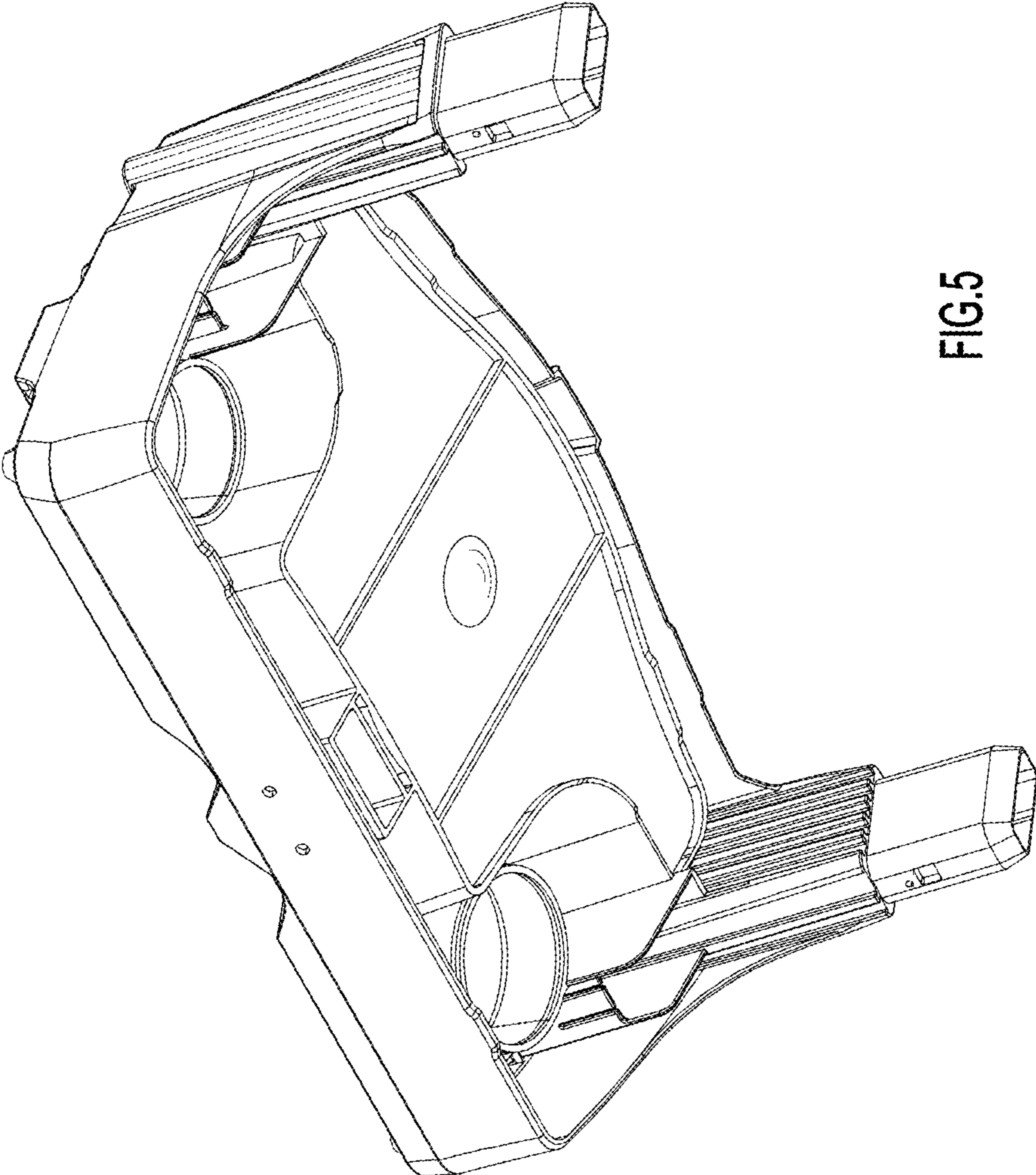


FIG.5

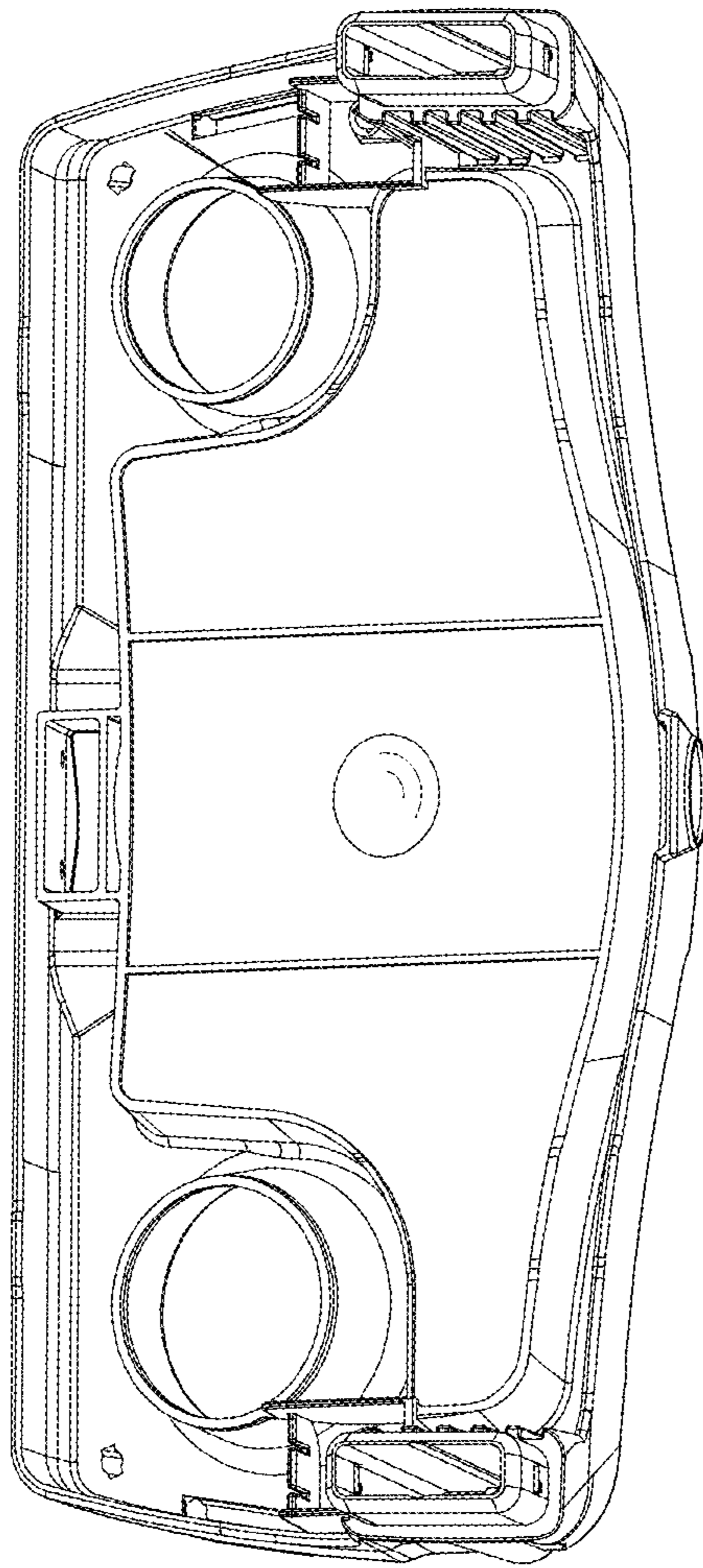


FIG.6

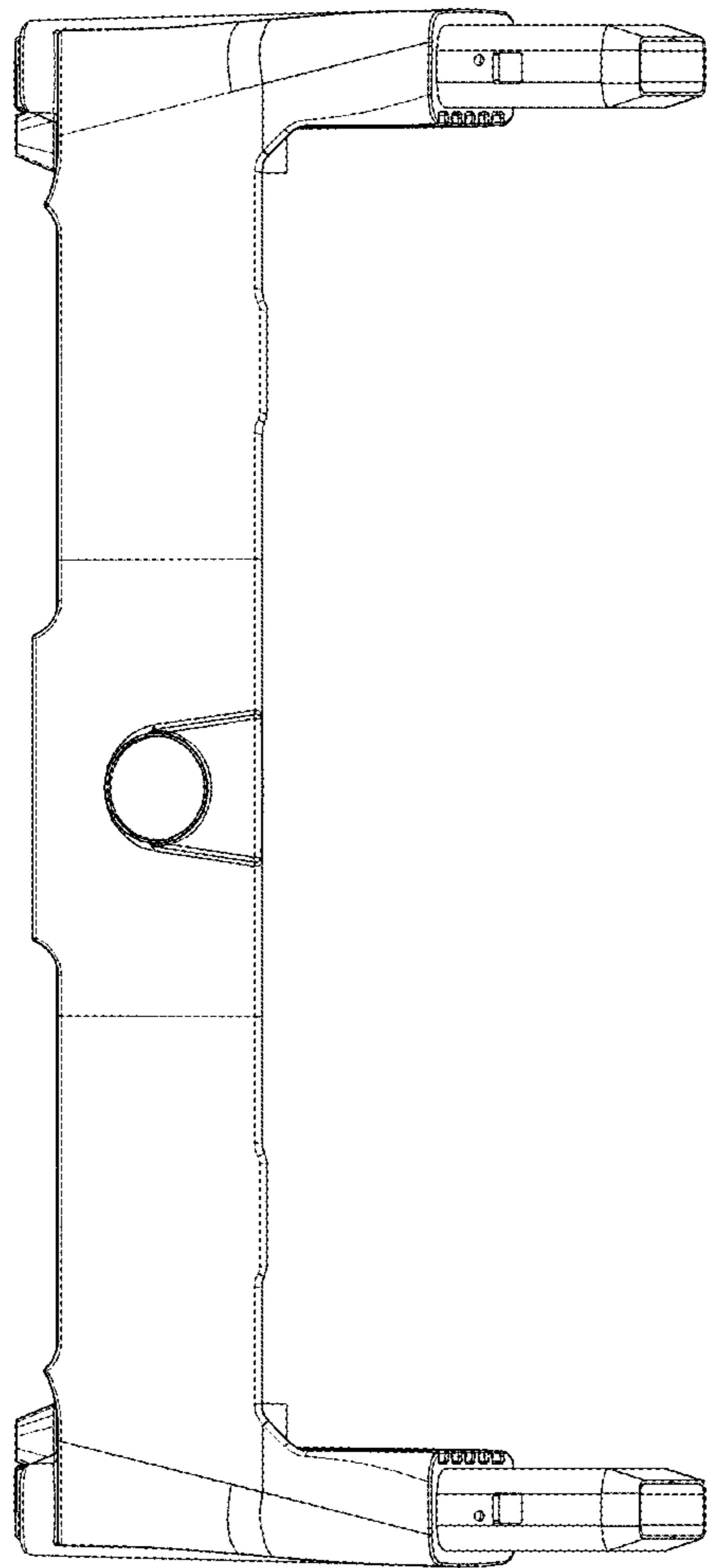


FIG.7

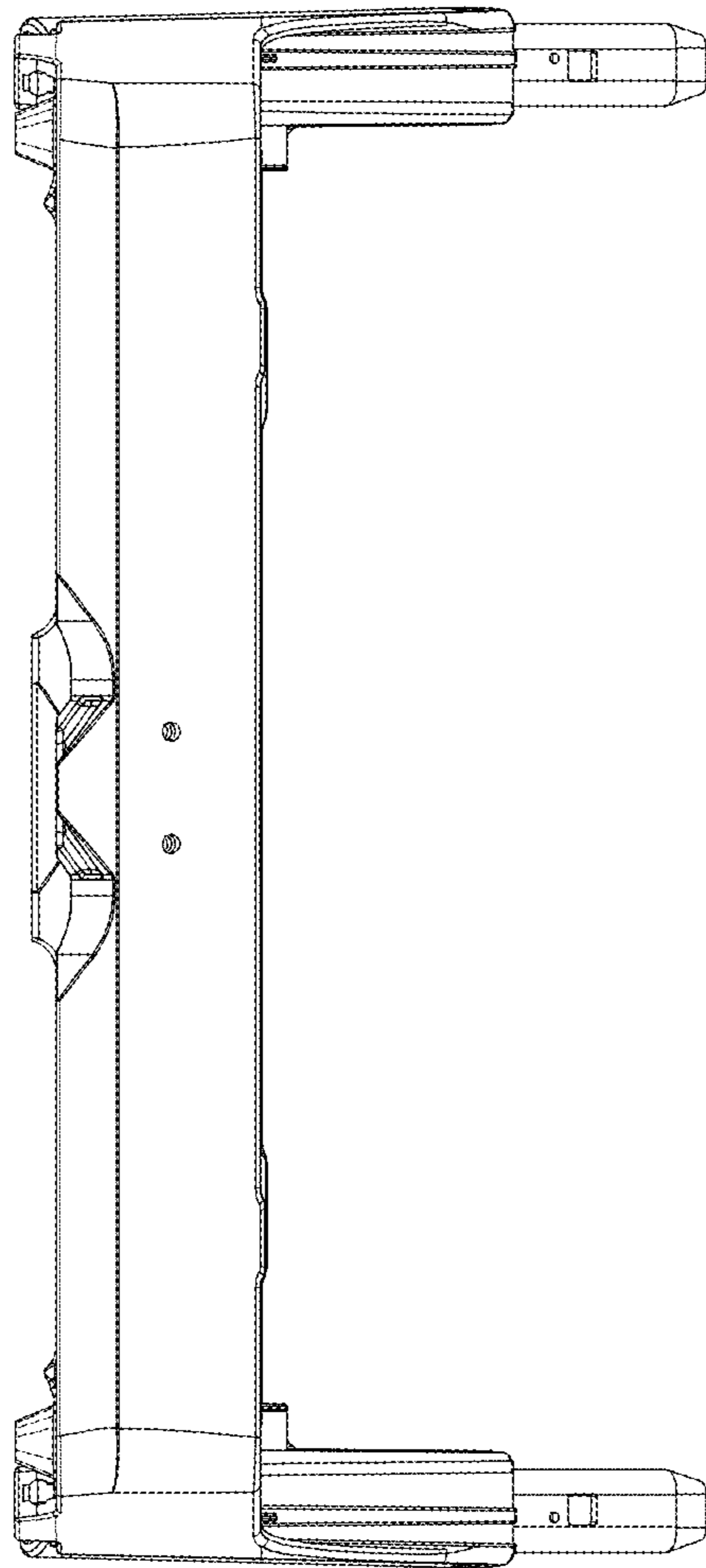


FIG.8

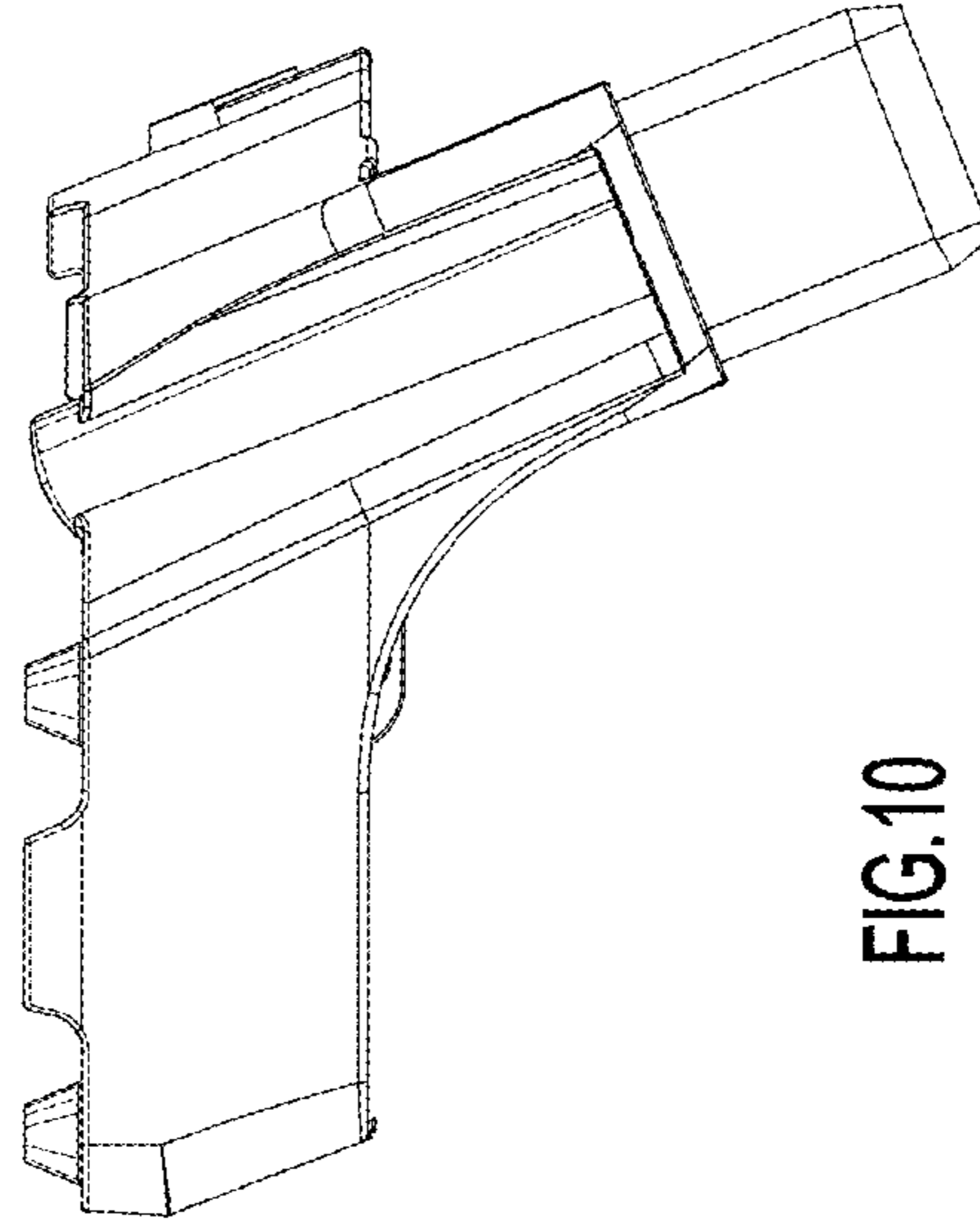


FIG.10

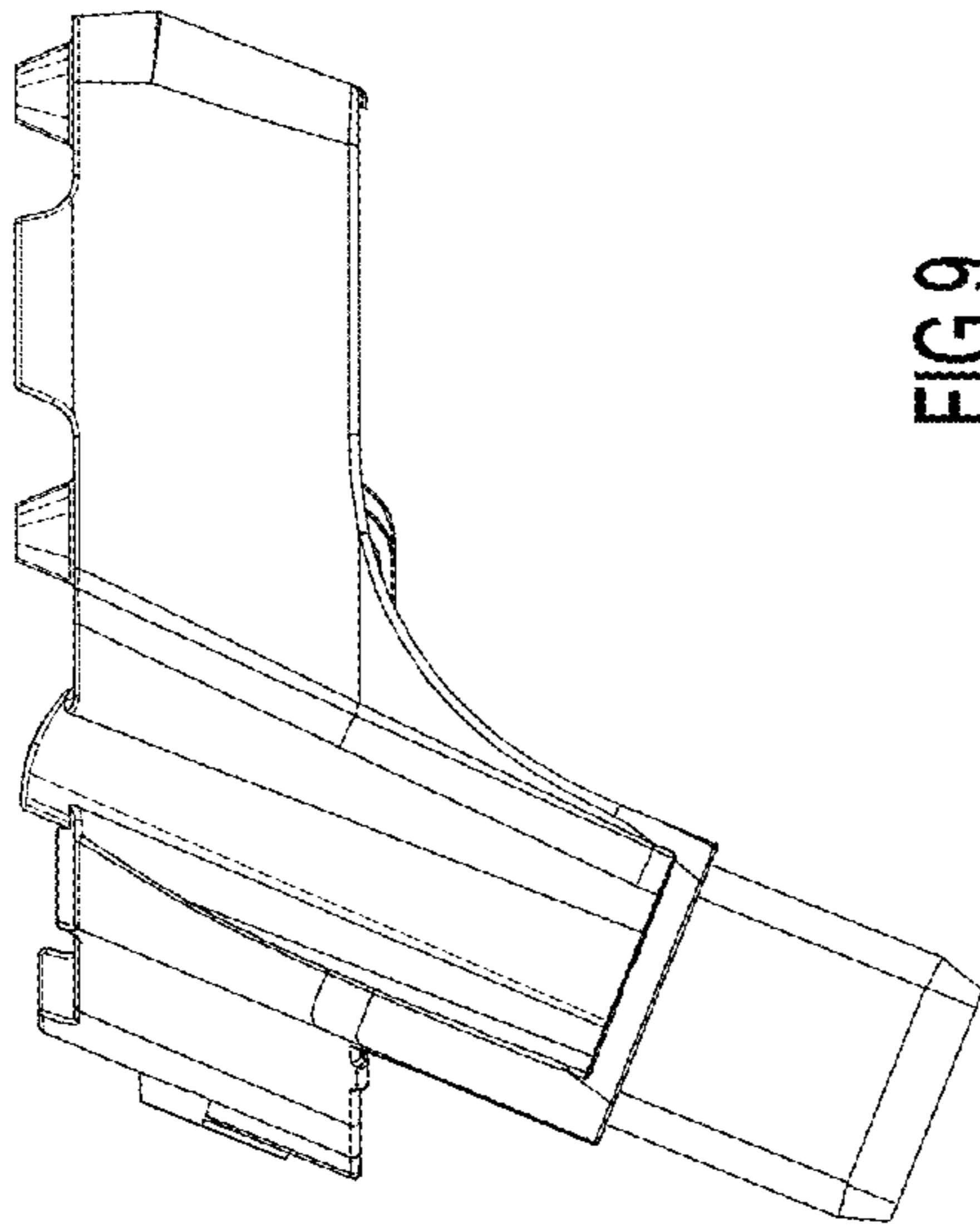


FIG.9

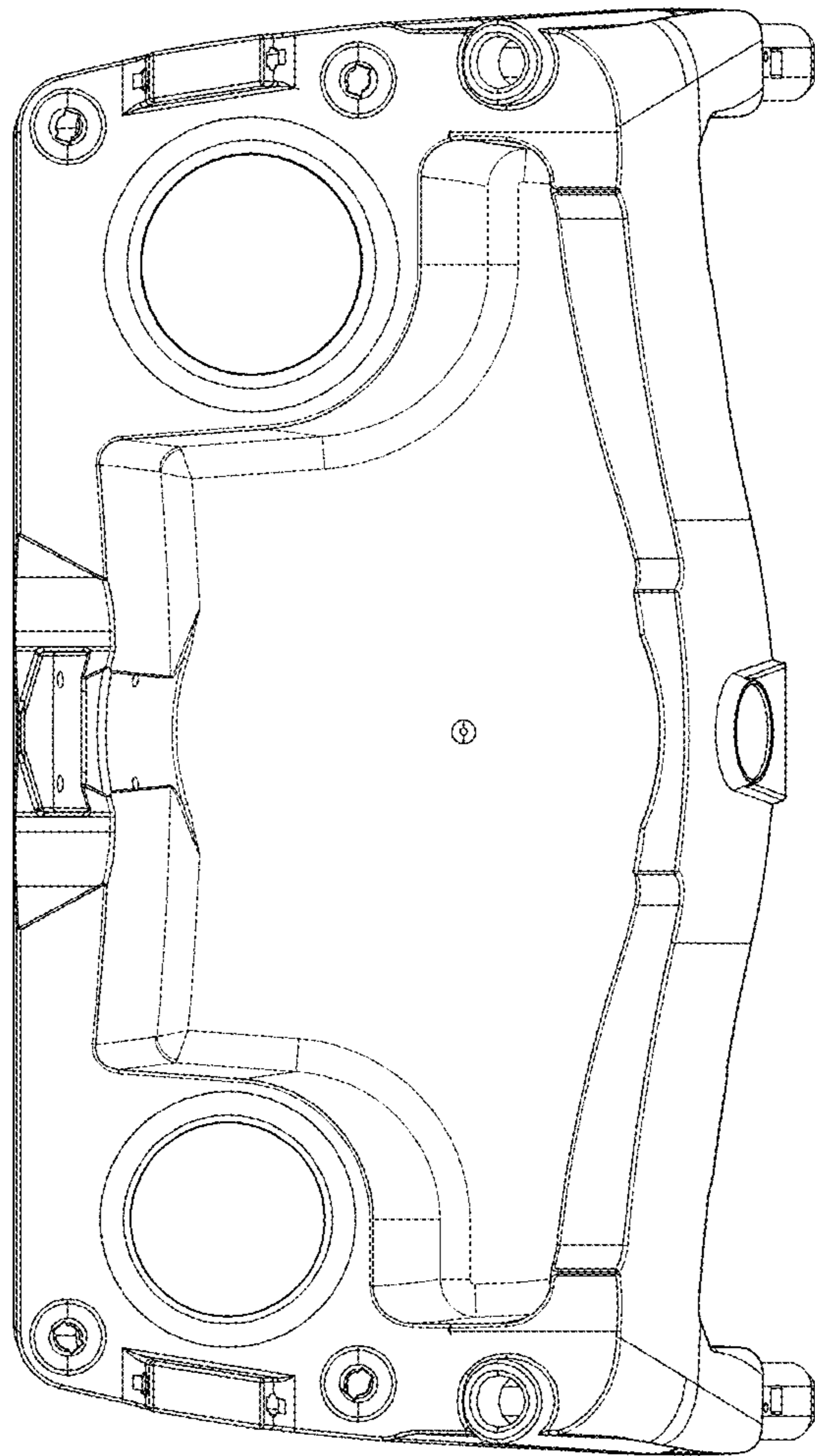


FIG.11

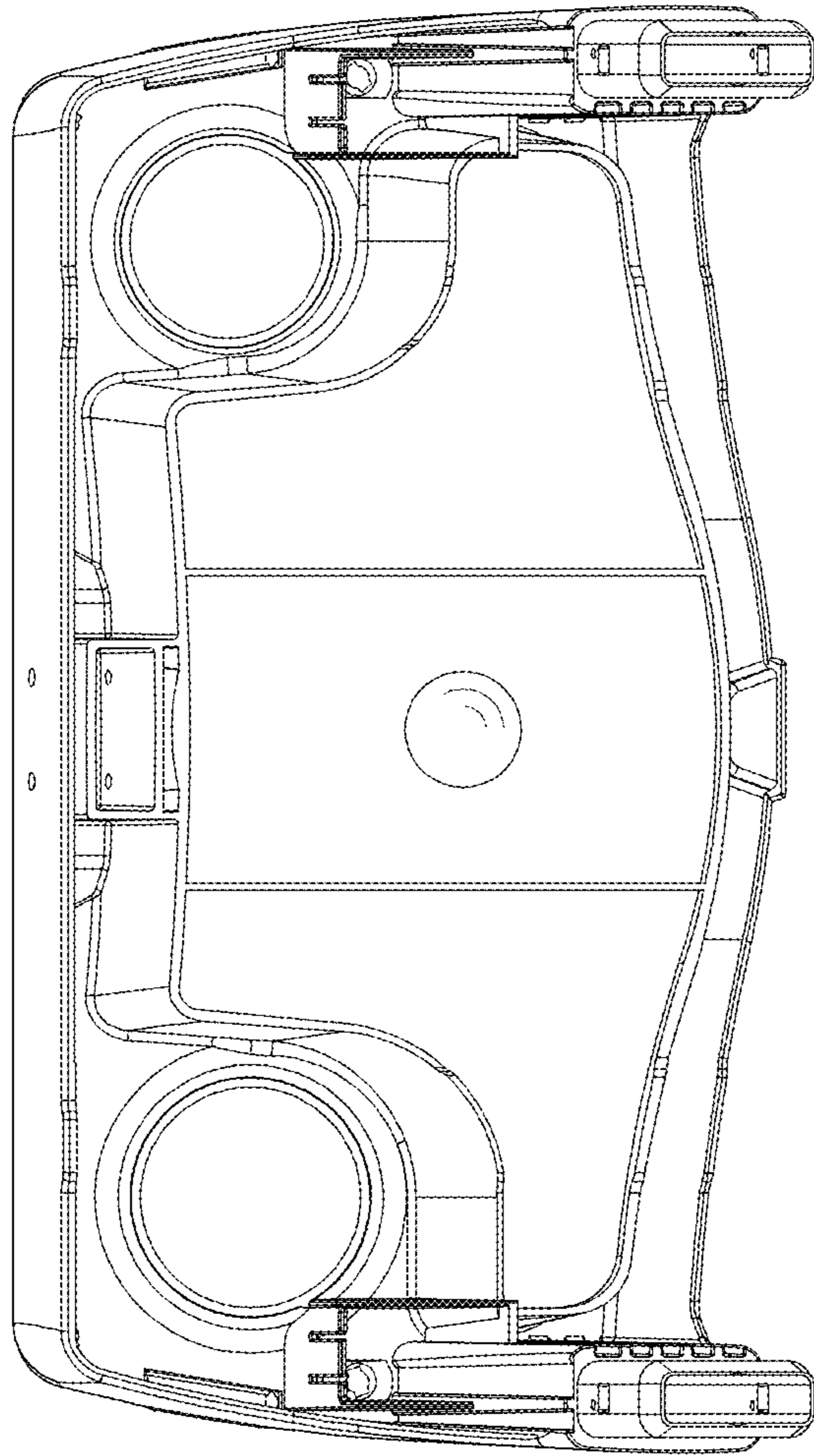


FIG.12