



US00D819833S

(12) **United States Design Patent**
Chapman

(10) **Patent No.:** **US D819,833 S**
(45) **Date of Patent:** **** Jun. 5, 2018**

(54) **DOOR ASSEMBLY CAPABLE OF RECEIVING HINGE PLATE LOCATORS**

(71) Applicant: **Global Products International Group, LLC**, Atlanta, GA (US)

(72) Inventor: **Gabriel Paul Chapman**, Cumming, GA (US)

(73) Assignee: **Global Products International Group, LLC**, Atlanta, GA (US)

(**) Term: **15 Years**

(21) Appl. No.: **29/564,763**

(22) Filed: **May 16, 2016**

(51) **LOC (11) Cl.** **25-02**

(52) **U.S. Cl.**
USPC **D25/60; D25/119**

(58) **Field of Classification Search**
USPC **D25/35, 38.1, 61, 48.1, 48.2, 48.3, 55, D25/58, 119-124, 136, 137, 138, 164, D25/199, 60**

CPC ... **E04C 3/00; E04C 3/005; E04C 3/02; E04C 3/04; E04C 3/12; E04C 3/20; E04C 3/28; E04C 3/30; E04F 19/02; E04F 19/022; E04F 19/026; E04F 19/028; E04F 19/04; E04F 19/0436; E04F 19/0481; E04F 19/0486; E04F 19/06; E04F 19/061; E06B 1/00; E06B 1/006; E06B 1/02; E06B 1/04; E06B 1/045; E06B 1/06; E06B 1/12; E06B 1/16; E06B 1/26; E06B 1/28; E06B 1/30; E06B 1/32; E06B 1/325; E06B 1/34; E06B 1/342; E06B 1/345; E06B 1/347; E06B 1/36; E06B 1/363; E06B 1/366; E06B 1/38; E06B 1/40; E06B 1/52; E06B 1/522; E06B 1/524; E06B 1/526; E06B 1/528; E06B 1/56; E06B 1/60; E06B 1/6092; E06B 1/62; E06B 1/70; E06B 1/702; E06B 1/705; E06B 1/707**

See application file for complete search history.

(56) **References Cited**

U.S. PATENT DOCUMENTS

2,457,129	A *	12/1948	Collings	B63B 19/16 D25/122
D253,552	S *	11/1979	Durbin	D25/122
D259,810	S *	7/1981	Dallaire	D25/122
D348,525	S *	7/1994	Dallaire	D25/123
D378,424	S *	3/1997	Leonelli	D25/122
D382,072	S *	8/1997	Dallaire	D25/124
D382,651	S *	8/1997	Colitto	D25/122
D382,652	S *	8/1997	Colitto	D25/122
D537,173	S *	2/2007	Westphal	D25/124
D572,372	S *	7/2008	Koch	B66C 7/02 D25/38.1

(Continued)

Primary Examiner — Cynthia Ramirez

Assistant Examiner — L. Martinez-Rivera

(74) *Attorney, Agent, or Firm* — Thomas | Horstemeyer, LLP

(57) **CLAIM**

The ornamental design for a door assembly capable of receiving door hinge plate locators, as shown and described.

DESCRIPTION

FIG. 1 is a front, top perspective view of a door assembly capable of receiving hinge plate locators, showing my new design;

FIG. 2 is a bottom plan view thereof;

FIG. 3 is a top plan view thereof;

FIG. 4 is a side view thereof;

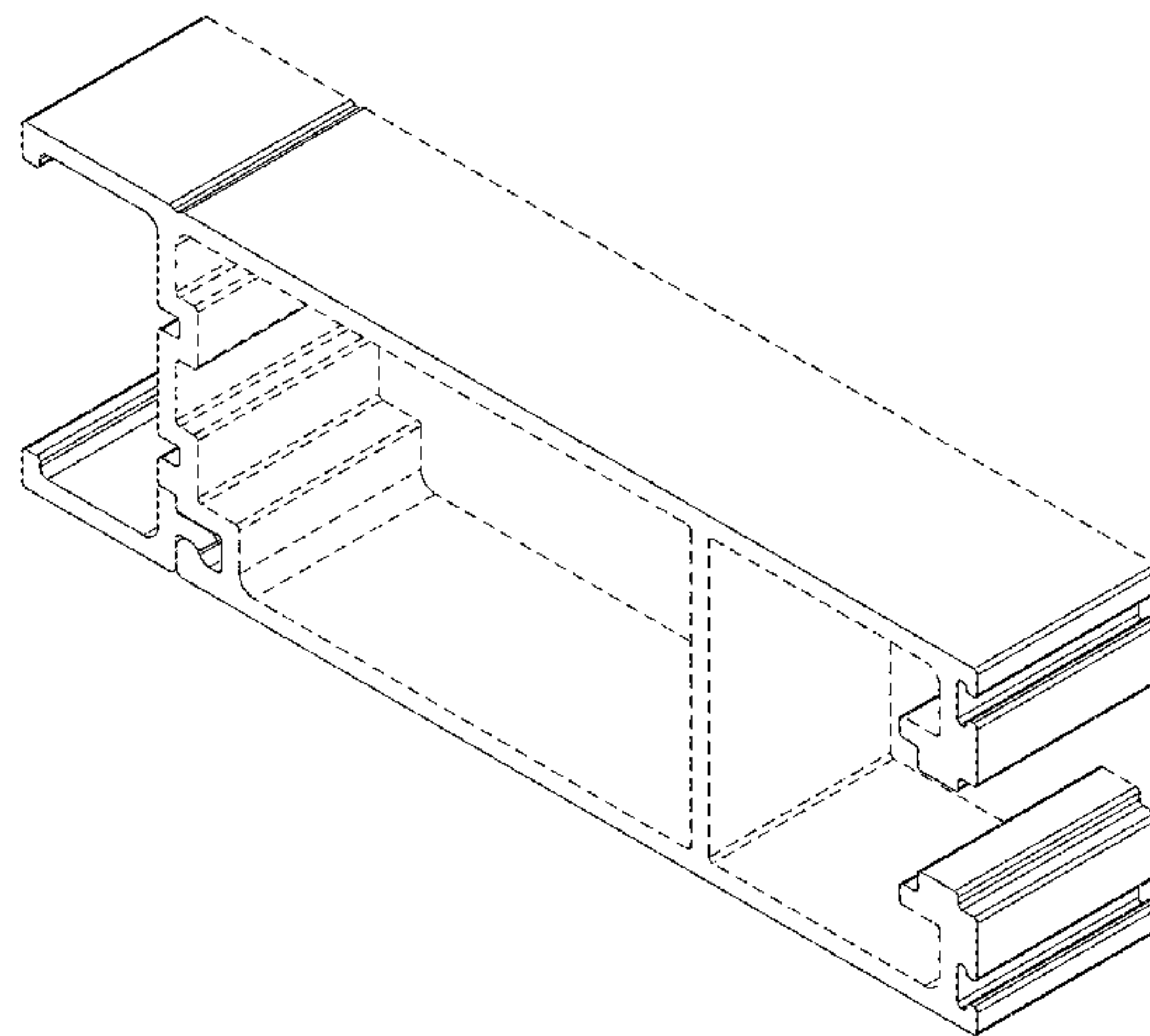
FIG. 5 is an opposite side view thereof;

FIG. 6 is a front elevation view thereof; and,

FIG. 7 is a rear elevation view thereof.

The broken lines illustrate portions of the door assembly capable of receiving hinge plate locators that form no part of the claimed design.

1 Claim, 5 Drawing Sheets



(56)

References Cited

U.S. PATENT DOCUMENTS

D574,509 S *	8/2008	Koch	B66C 7/02 D25/38.1
D590,960 S *	4/2009	Franson	D25/124
D598,574 S *	8/2009	Bergmann	D25/122
D616,568 S *	5/2010	Desrosiers	D25/122
D629,922 S *	12/2010	Brabeck	D25/124
D631,171 S *	1/2011	Konrad	D25/124
2013/0219689 A1 *	8/2013	Emanuel	E06B 1/524 29/525.01
2014/0069038 A1 *	3/2014	Back	E06B 1/045 52/210

* cited by examiner

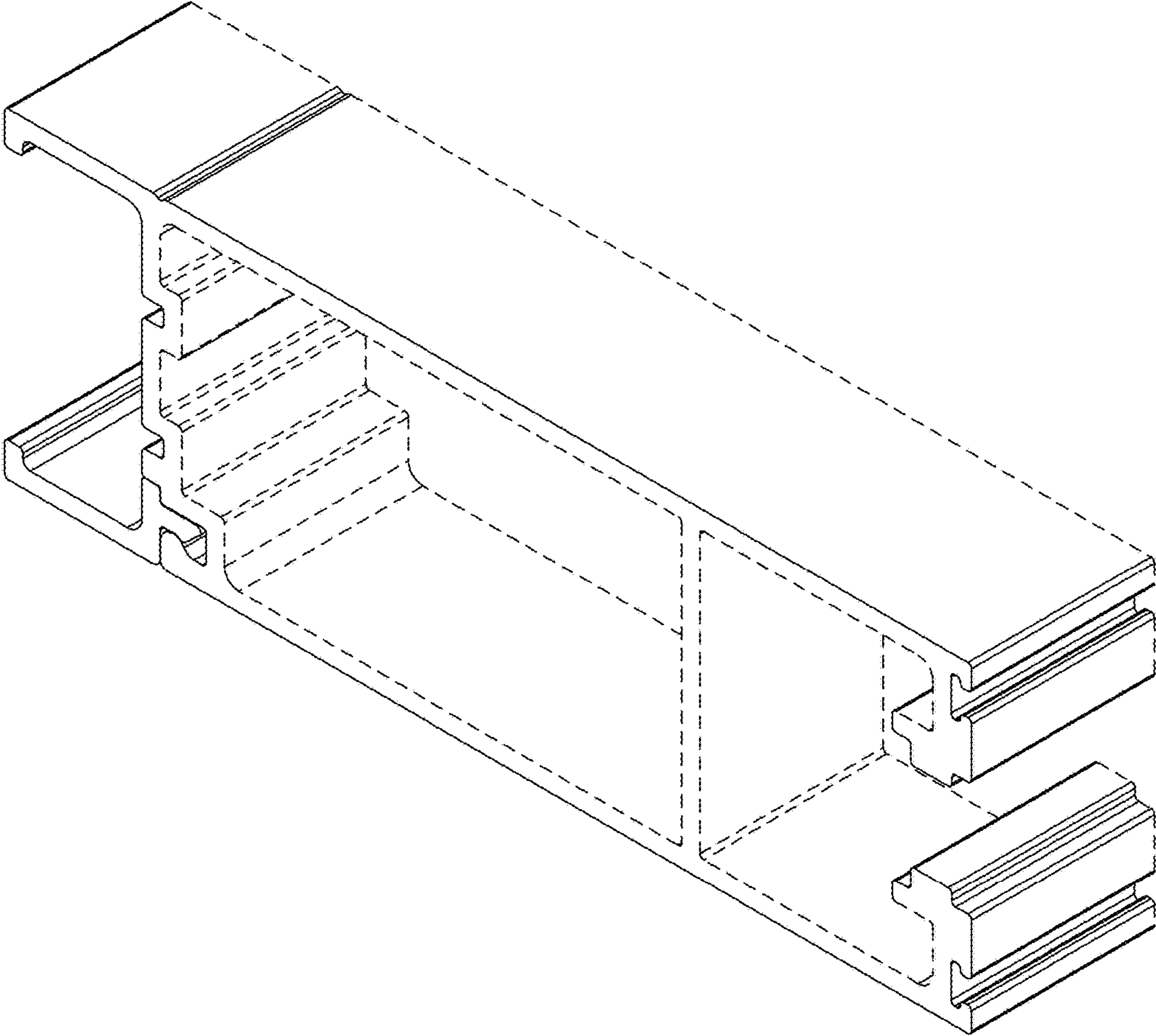


FIG. 1



FIG. 2

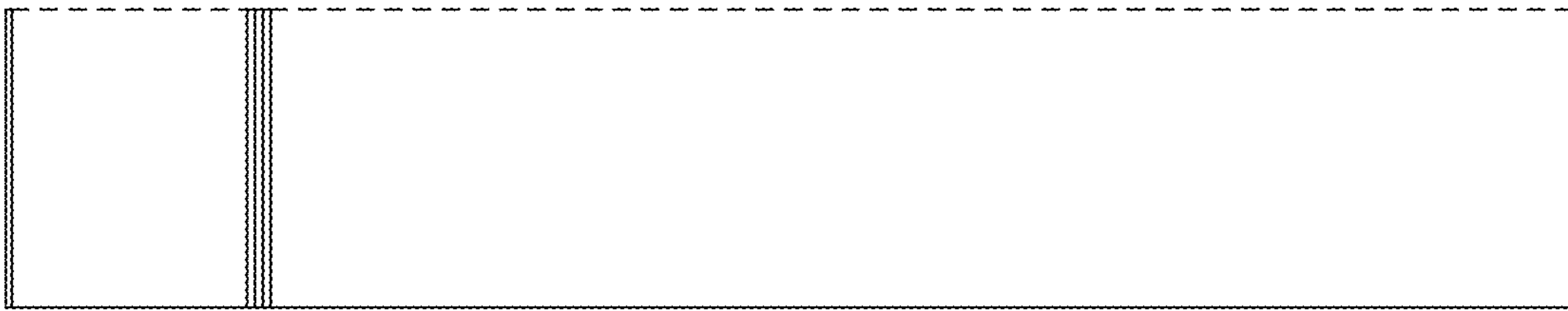


FIG. 3

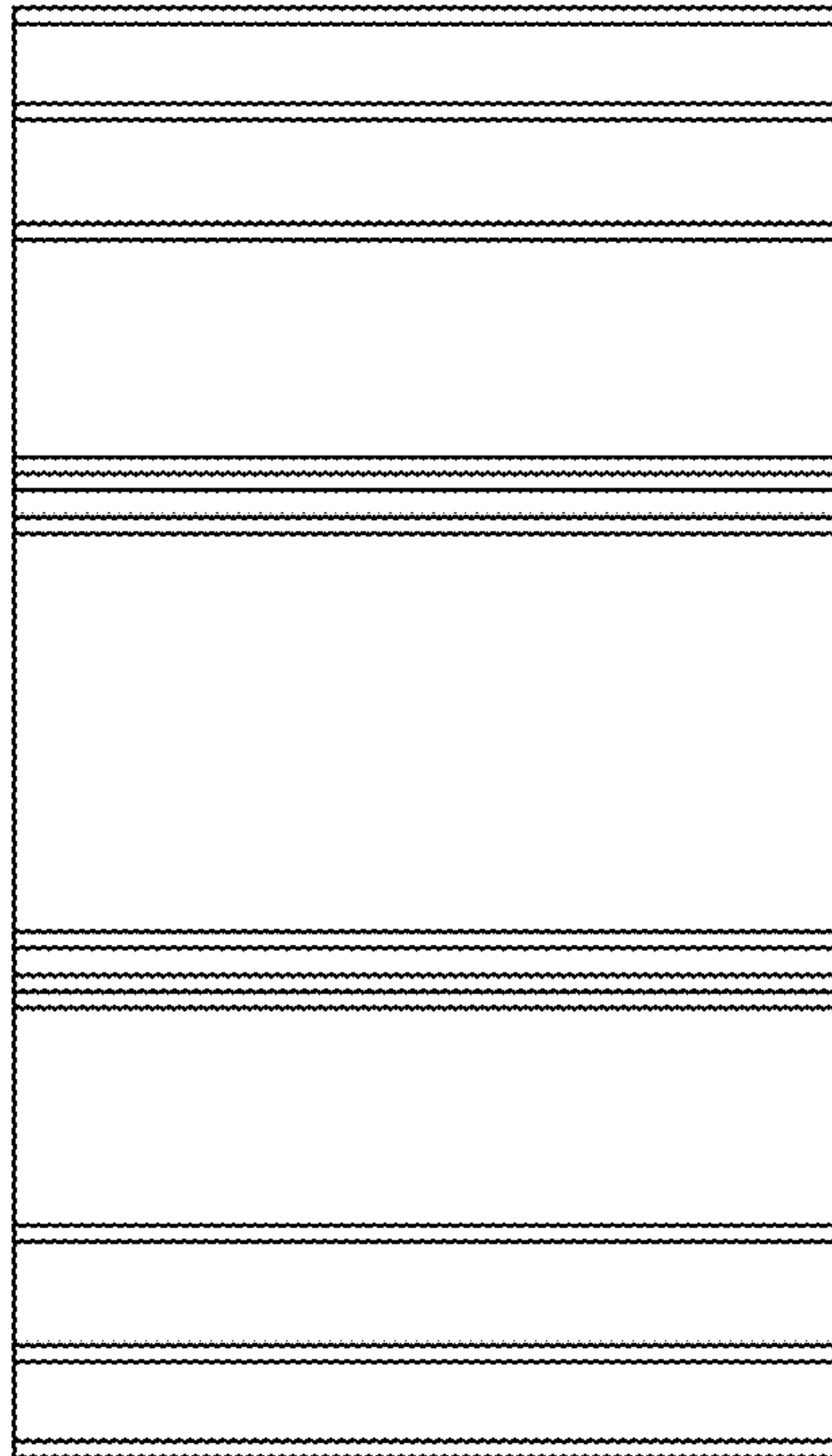


FIG. 4

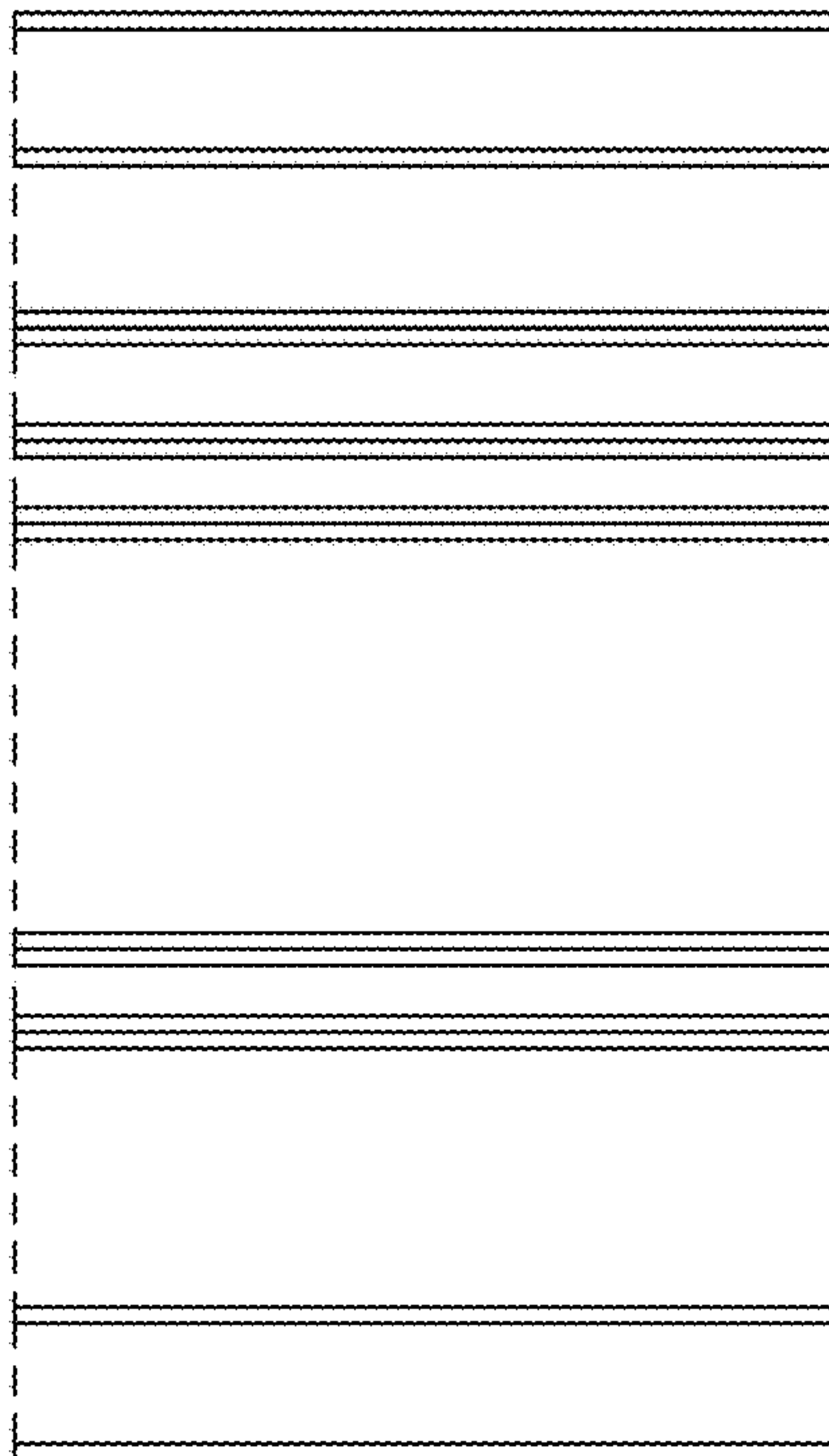


FIG. 5

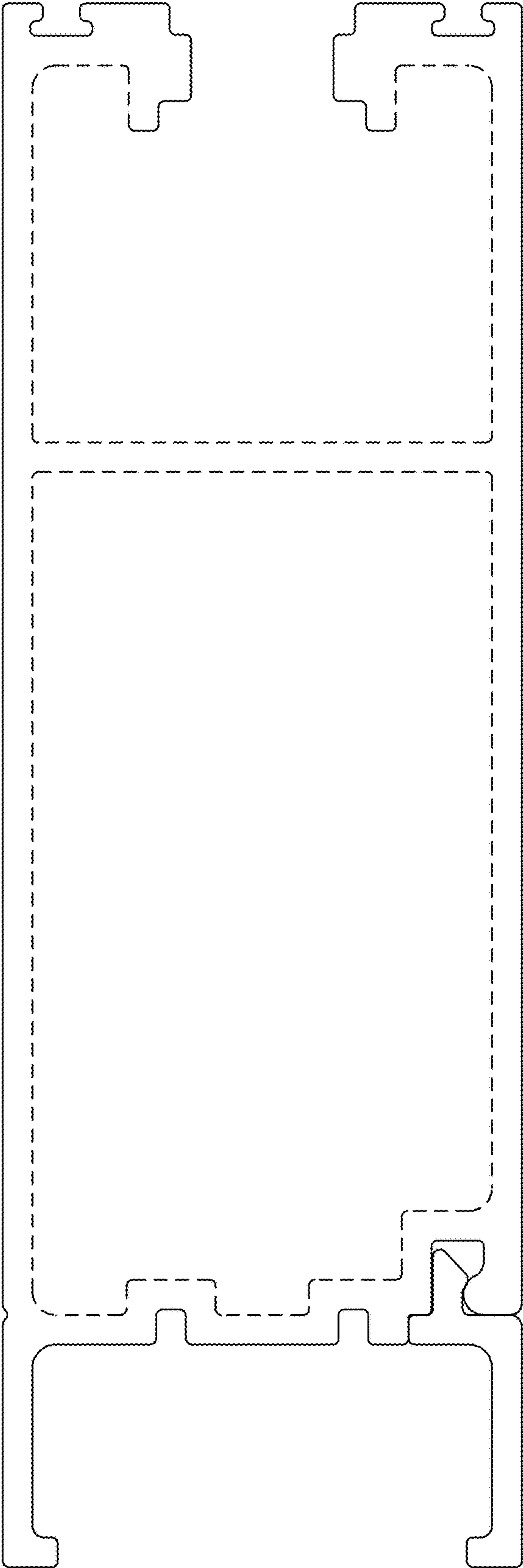


FIG. 6

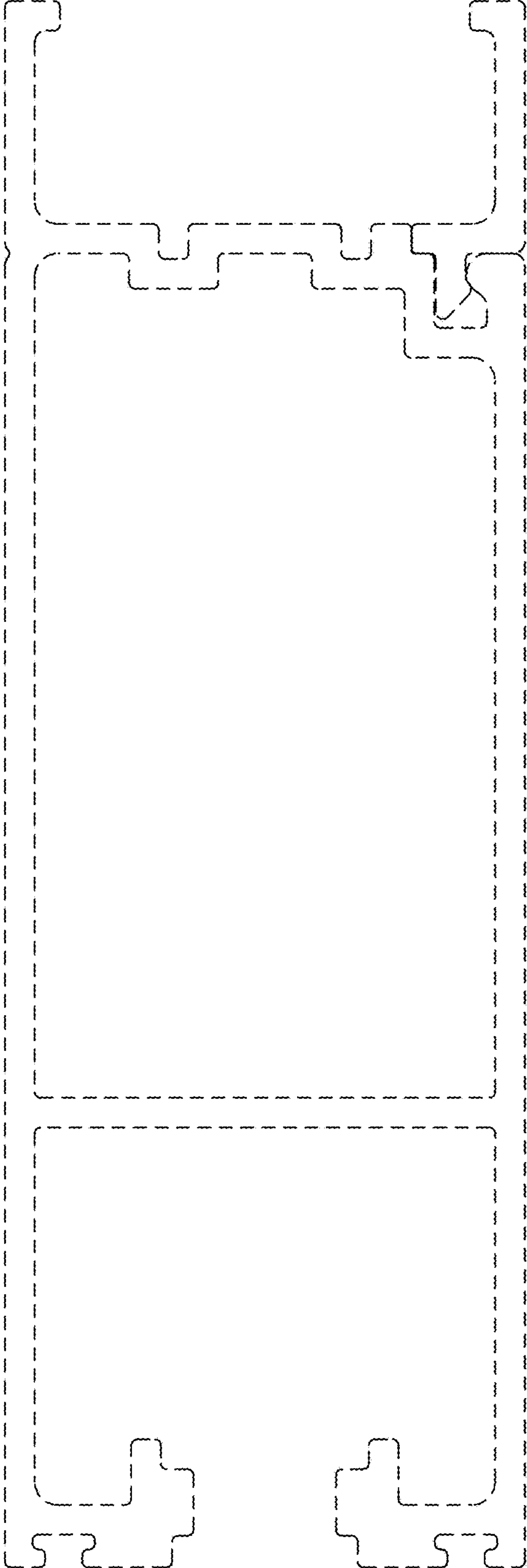


FIG. 7