



US00D819832S

(12) **United States Design Patent** (10) **Patent No.:** **US D819,832 S**
Kato (45) **Date of Patent:** **** Jun. 5, 2018**

(54) **EXTERNAL CORNER MATERIAL FOR WALLS**

(71) Applicant: **Nichiha Corporation**, Nagoya-shi, Aichi (JP)

(72) Inventor: **Teruyuki Kato**, Nagoya (JP)

(73) Assignee: **NICHIHA CORPORATION**, Nagoya-Shi (JP)

(**) Term: **15 Years**

(21) Appl. No.: **29/581,799**

(22) Filed: **Oct. 21, 2016**

(30) **Foreign Application Priority Data**

Apr. 26, 2016 (JP) D2016-009086

(51) **LOC (11) Cl.** **25-01**

(52) **U.S. Cl.**
USPC **D25/58**

(58) **Field of Classification Search**
USPC D8/354; D25/55, 58, 61, 119-126, 136, D25/164
CPC E04B 1/6112; E04B 1/6179; E04B 2001/6195; E04B 2/707; E06B 3/5842; A63H 33/10; A47B 47/0008; A47B 47/02; E04F 19/00; E04F 19/022
See application file for complete search history.

(56) **References Cited**

U.S. PATENT DOCUMENTS

- D237,271 S * 10/1975 Lindell D25/122
4,147,001 A * 4/1979 Oliver E04B 1/6179
52/233
4,258,519 A * 3/1981 Hugens E04B 1/6112
52/282.1
5,066,161 A * 11/1991 Pinney A47B 47/0008
403/172

- 5,170,977 A * 12/1992 McMillan E04B 1/2608
248/300
D362,509 S * 9/1995 Russell D25/61
5,647,181 A * 7/1997 Hunts A63H 33/10
312/111
D421,133 S * 2/2000 Mandell D25/61
D432,671 S * 10/2000 Grosfillex D25/119

(Continued)

FOREIGN PATENT DOCUMENTS

- CA 127952 * 4/2009
CA 170666 * 8/2017

(Continued)

Primary Examiner — Susan Bennett Hattan
Assistant Examiner — Leanne Was-Englehart
(74) *Attorney, Agent, or Firm* — Birch, Stewart, Kolasch & Birch, LLP

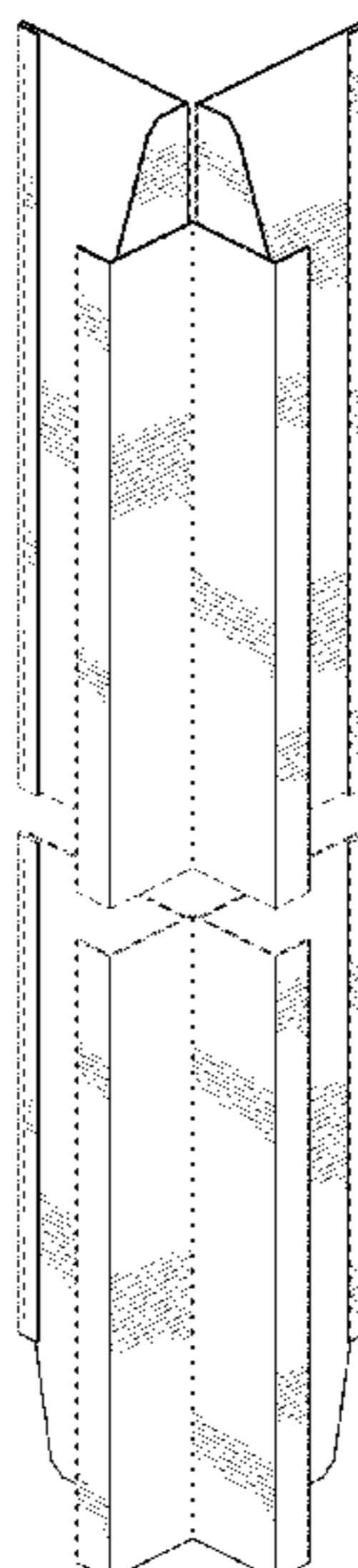
(57) **CLAIM**

The ornamental design for an external corner material for walls, as shown and described.

DESCRIPTION

FIG. 1 is a front view of an external corner material for walls showing my new design;
FIG. 2 is a back view thereof;
FIG. 3 is a top view thereof;
FIG. 4 is a bottom view thereof;
FIG. 5 is a right side view thereof;
FIG. 6 is a left side view thereto;
FIG. 7 is a front, top perspective view thereof; and,
FIG. 8 is a back, bottom perspective view thereof.
The break lines at a middle portion in FIGS. 1, 2 and 5-8 depict the boundaries of the claim. The area between the break lines at the middle portion in FIGS. 1, 2 and 5-8 forms no part of the claimed design.
The remaining broken lines depict portions of the external corner material for walls that form no part of the claimed design.

1 Claim, 8 Drawing Sheets



(56)

References Cited

U.S. PATENT DOCUMENTS

6,311,442 B1 * 11/2001 Watanabe E04B 2/707
 156/91
 D569,228 S * 5/2008 Terada D8/349
 D579,321 S * 10/2008 Townley D8/354
 D629,921 S * 12/2010 Southwell D25/121
 D630,340 S * 1/2011 Southwell D25/122
 D661,817 S * 6/2012 Fournier D25/102
 D672,056 S * 12/2012 Cetindag D25/61
 D750,279 S * 2/2016 Singh D25/138
 D750,807 S * 3/2016 Singh D25/121
 D787,710 S * 5/2017 Singh D25/121

FOREIGN PATENT DOCUMENTS

CN 304067118 * 3/2017
 EM 003395284-0001 * 10/2016
 JP D1400319 S 11/2010
 JP 5161561 B2 3/2013
 JP 1466926 S 4/2013
 JP D 1492990 * 3/2014
 JP D 1567979 * 1/2017
 KR 30-0565944 S 7/2010
 KR 300905961.0000 * 5/2017

* cited by examiner

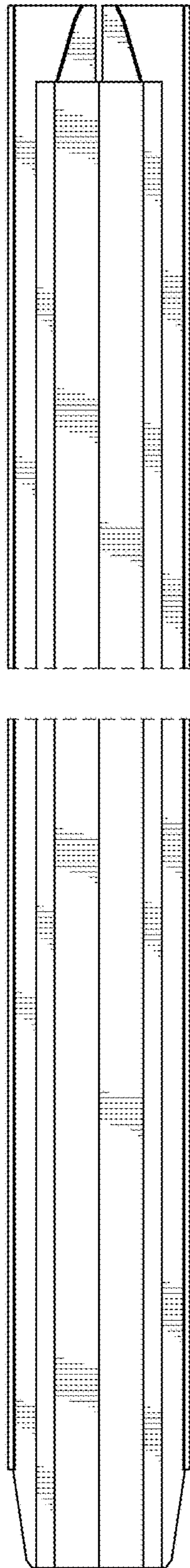


FIG.1

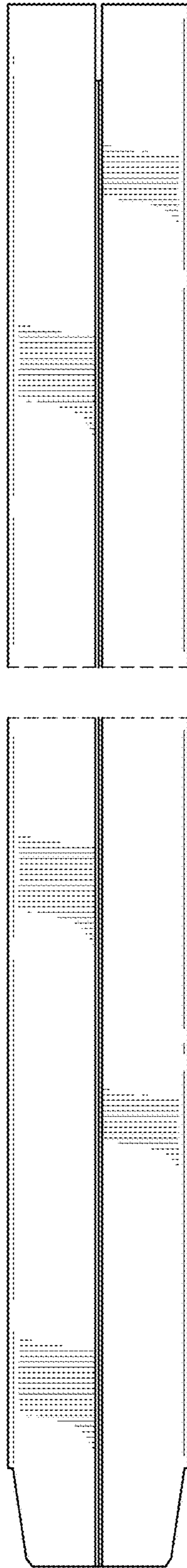


FIG.2

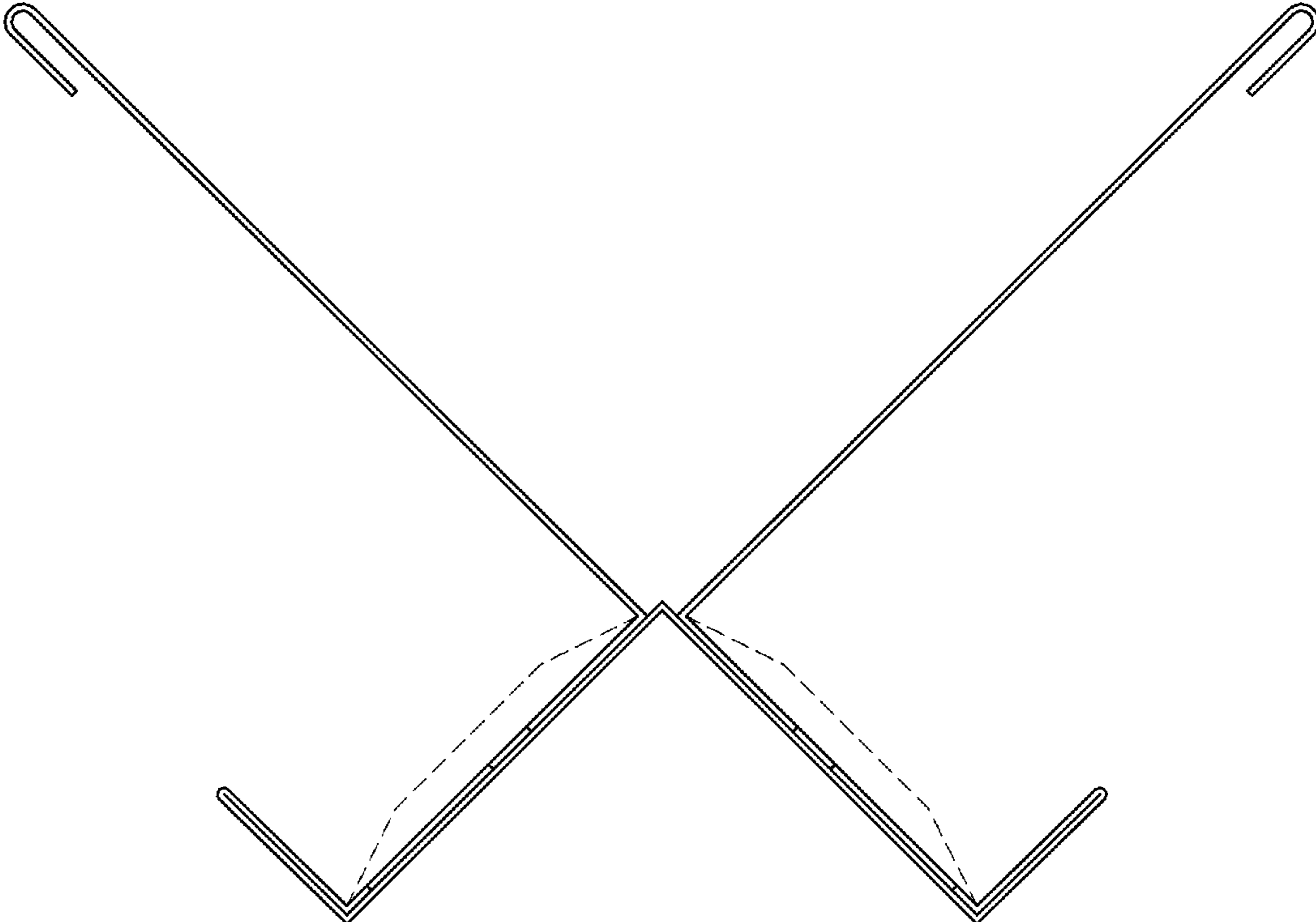


FIG.3

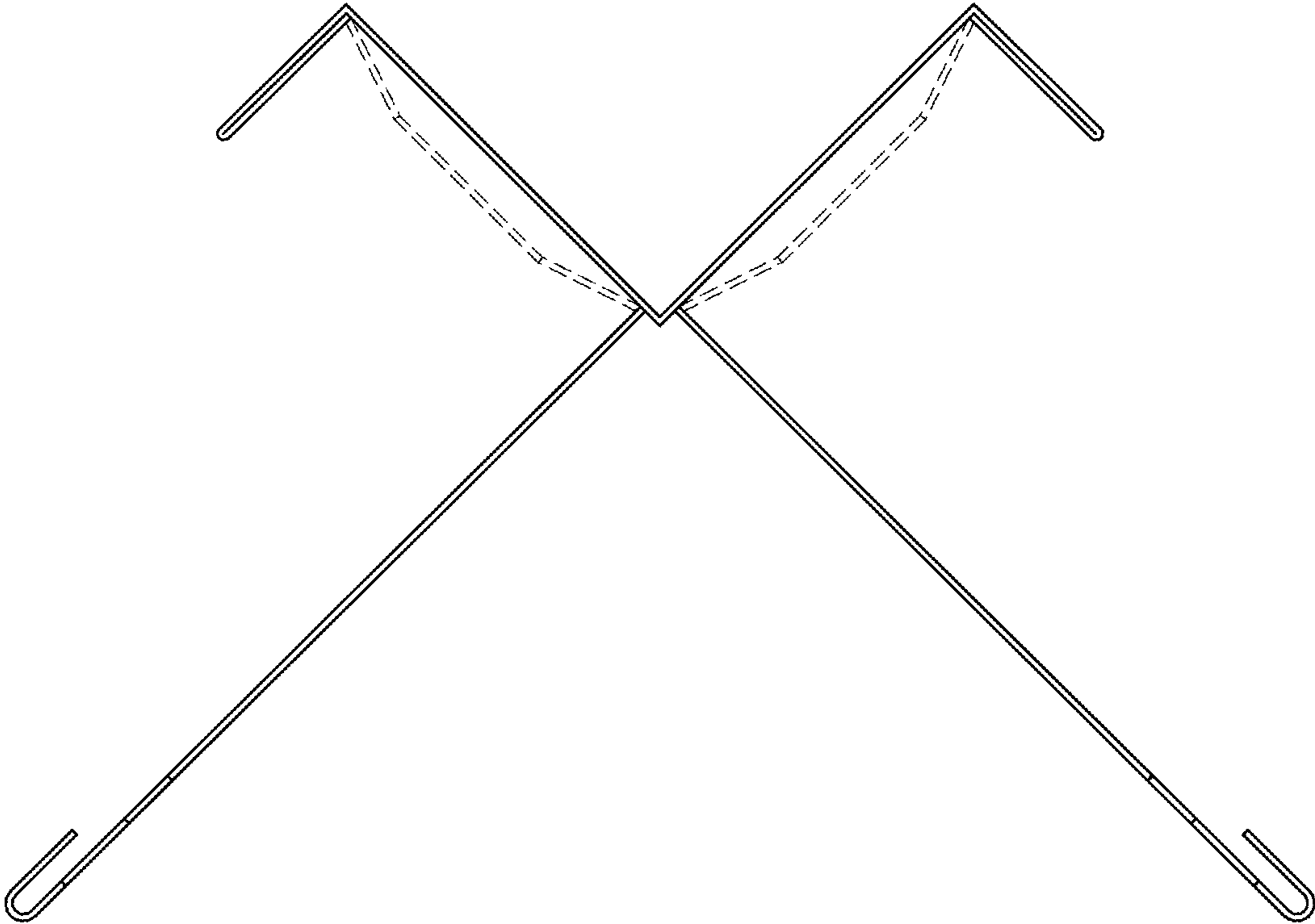


FIG.4

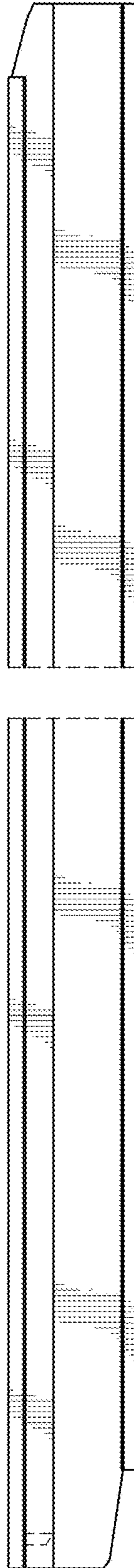


FIG.5

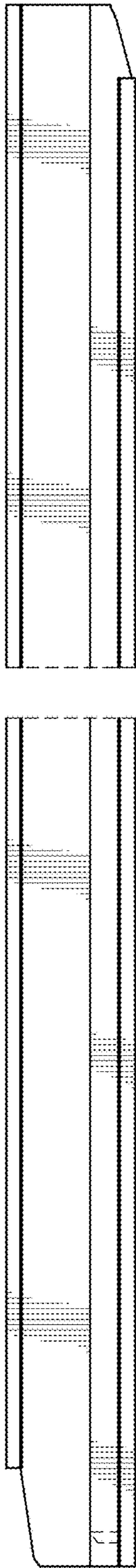


FIG.6

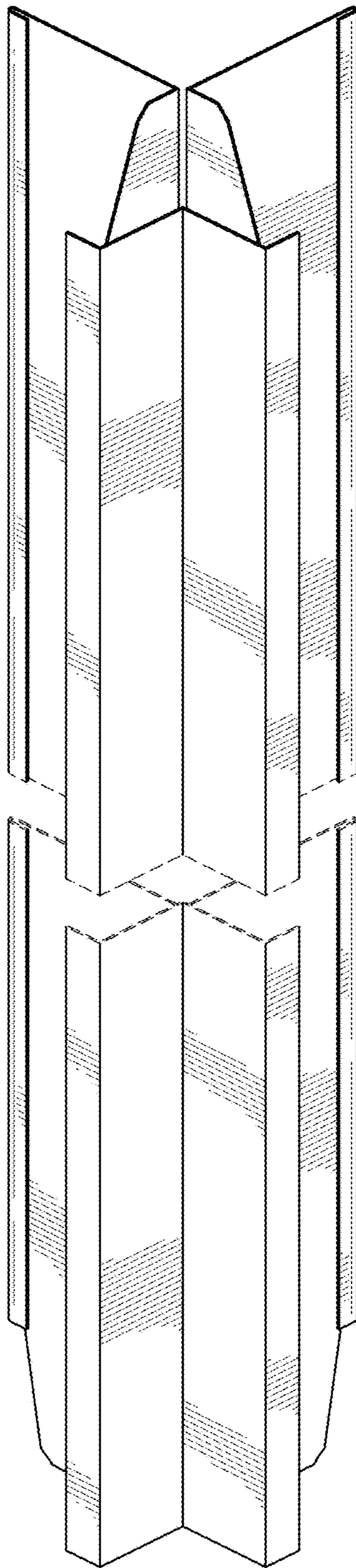


FIG.7

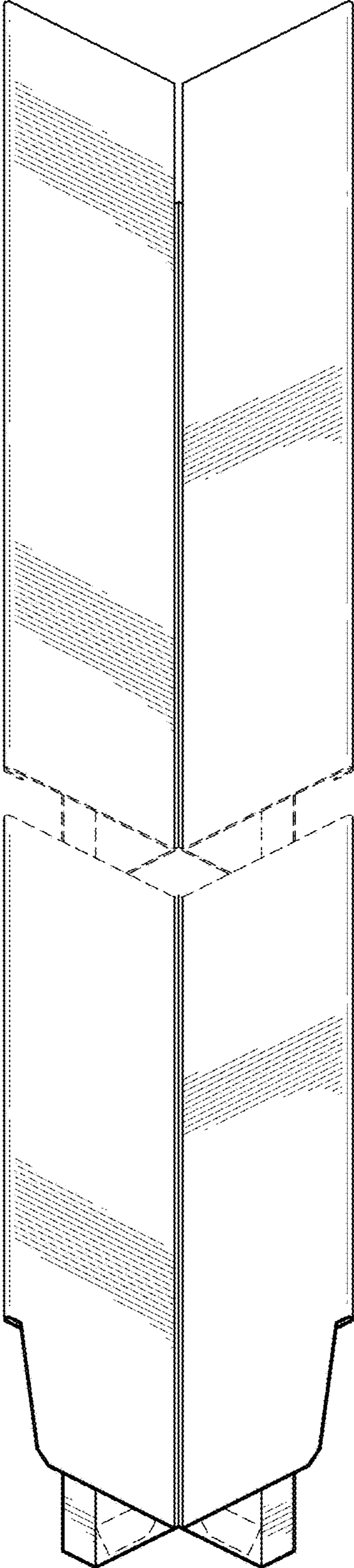


FIG.8