



US00D819831S

(12) **United States Design Patent**  
**Franzke**

(10) **Patent No.:** **US D819,831 S**  
(45) **Date of Patent:** **\*\* Jun. 5, 2018**

(54) **ROOF FOR A TOILET CUBICLE**  
(71) Applicant: **Guido Franzke**, Sassenberg (DE)  
(72) Inventor: **Guido Franzke**, Sassenberg (DE)  
(\*\*) Term: **15 Years**  
(21) Appl. No.: **29/575,863**  
(22) Filed: **Aug. 30, 2016**  
(30) **Foreign Application Priority Data**  
Mar. 4, 2016 (DE) ..... 40 2016 100 250  
(51) **LOC (11) Cl.** ..... **25-03**  
(52) **U.S. Cl.**  
USPC ..... **D25/16**  
(58) **Field of Classification Search**  
USPC ..... D25/1, 3, 4, 5, 6, 14, 15, 17, 18, 20, 24,  
D25/26, 32-33, 35, 56, 57, 58; 52/79.1;  
4/620; D23/283, 299; D24/210; D34/1,  
D34/7  
CPC ..... E04H 1/00-1/1277; E04H 15/44  
See application file for complete search history.

(56) **References Cited**  
U.S. PATENT DOCUMENTS  
D289,686 S \* 5/1987 Springer, Jr. .... D24/210  
5,123,720 A \* 6/1992 Blomster ..... B67D 3/00  
312/228  
D338,758 S \* 8/1993 Sexton ..... D34/1  
D349,578 S \* 8/1994 Tagg ..... D25/16  
D354,117 S \* 1/1995 Nations ..... D23/283  
D354,142 S \* 1/1995 McNamara ..... D25/16

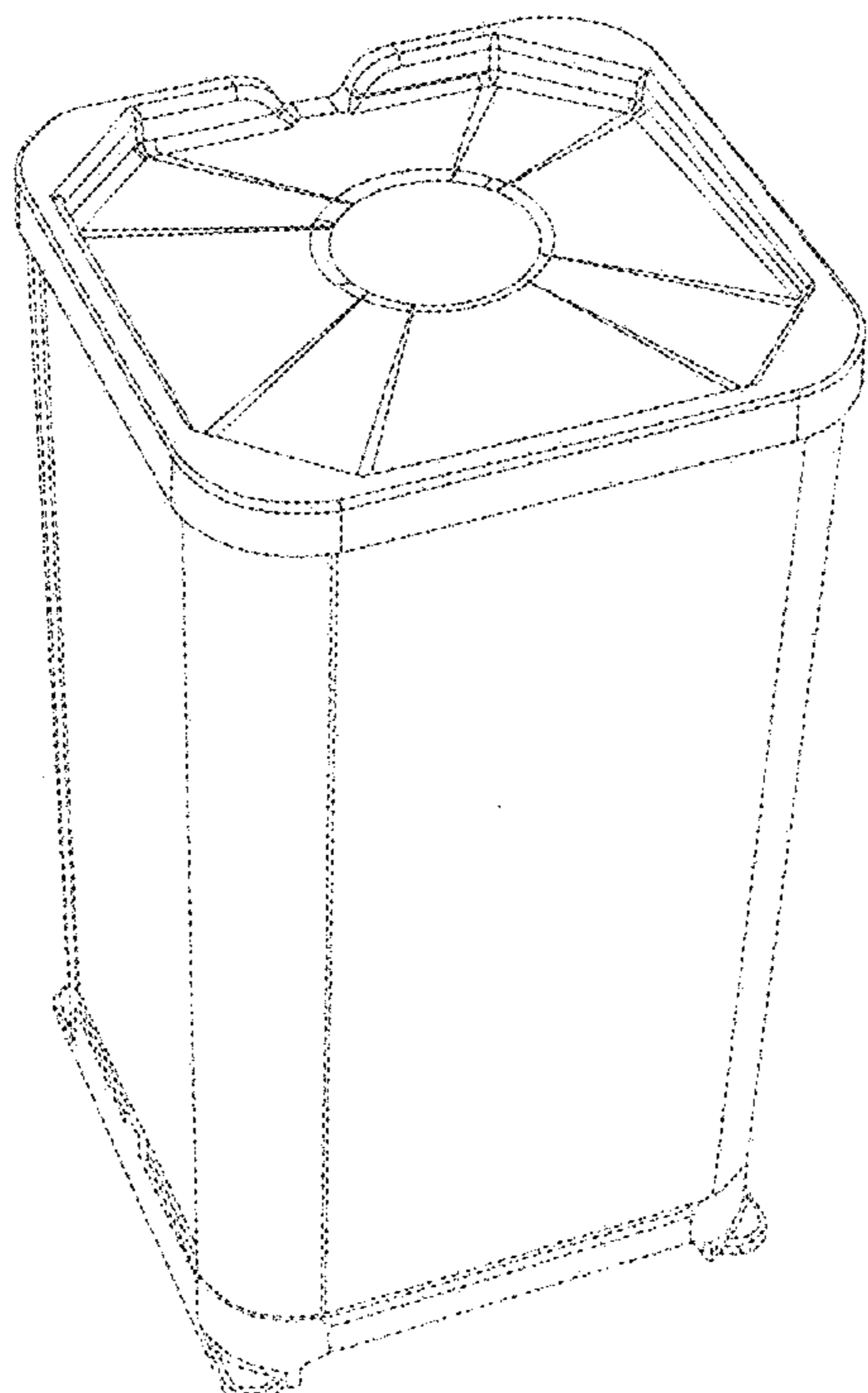
D360,471 S \* 7/1995 Tagg ..... D25/16  
D384,751 S \* 10/1997 Tagg ..... D25/1  
5,682,622 A \* 11/1997 Tagg ..... E04H 1/1216  
4/449  
D419,605 S \* 1/2000 Thomas ..... D25/16  
D541,945 S \* 5/2007 Duck ..... D25/16  
2003/0208838 A1 \* 11/2003 Mason ..... E04H 1/1216  
4/449  
2009/0235445 A1 \* 9/2009 Goldstein ..... E04H 1/1216  
4/462  
2014/0143945 A1 \* 5/2014 Chen ..... E04H 1/1216  
4/321  
2017/0107730 A1 \* 4/2017 Sansom, III ..... E04H 1/1216  
\* cited by examiner

*Primary Examiner* — Susan Bennett Hattan  
*Assistant Examiner* — Brett Miller  
(74) *Attorney, Agent, or Firm* — Abelman, Frayne & Schwab

(57) **CLAIM**  
The ornamental design for a roof for a toilet cubicle, as shown and described.

**DESCRIPTION**  
FIG. 1 a left-side frontal perspective view of a roof for a toilet cubicle according to my new design;  
FIG. 2 a side perspective view of the roof for a toilet cubicle shown in FIG. 1; and,  
FIG. 3 a plan view of the roof for a toilet cubicle shown in FIG. 1.  
The broken lines depict environment and form no part of the claimed design.

**1 Claim, 3 Drawing Sheets**



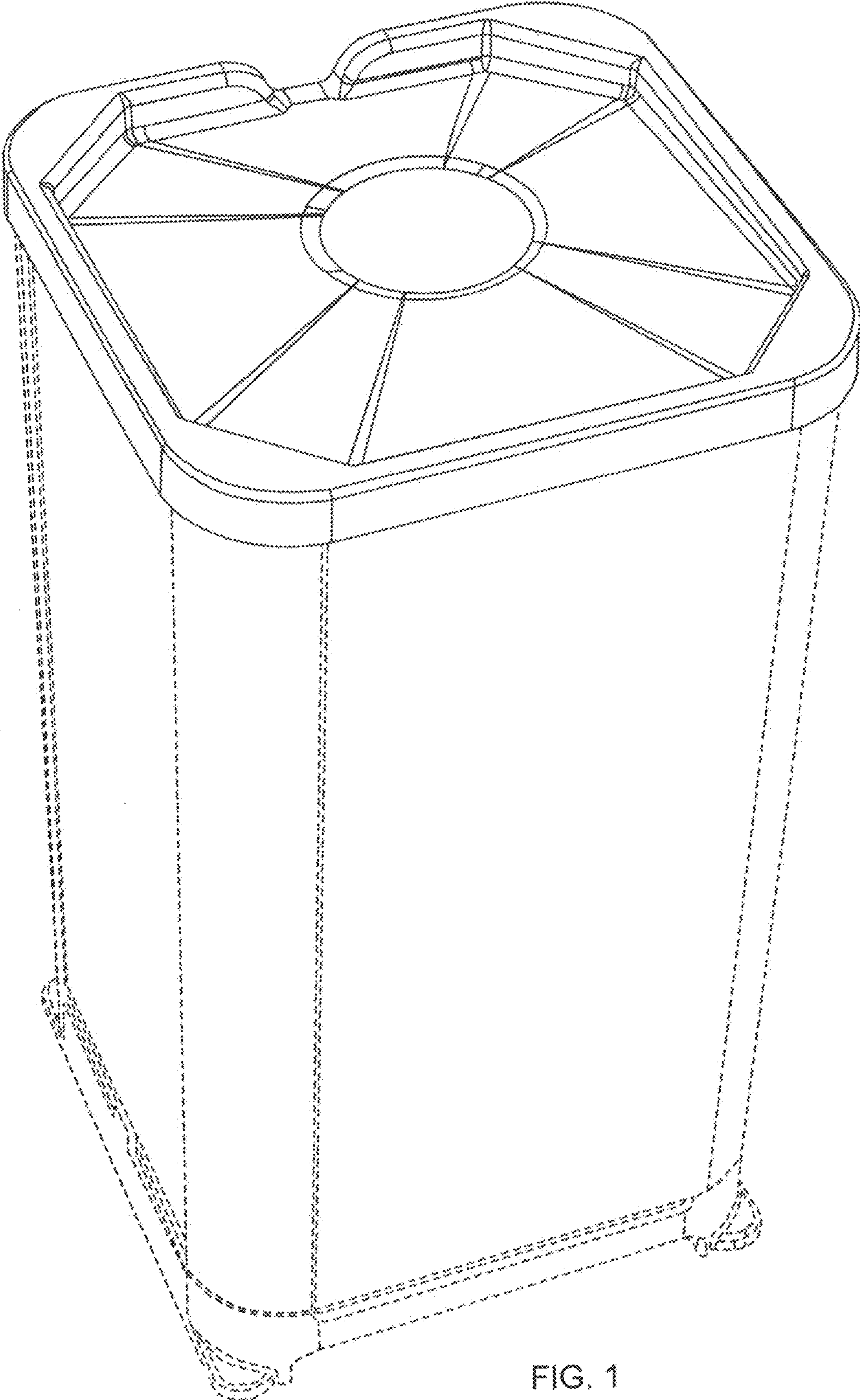


FIG. 1

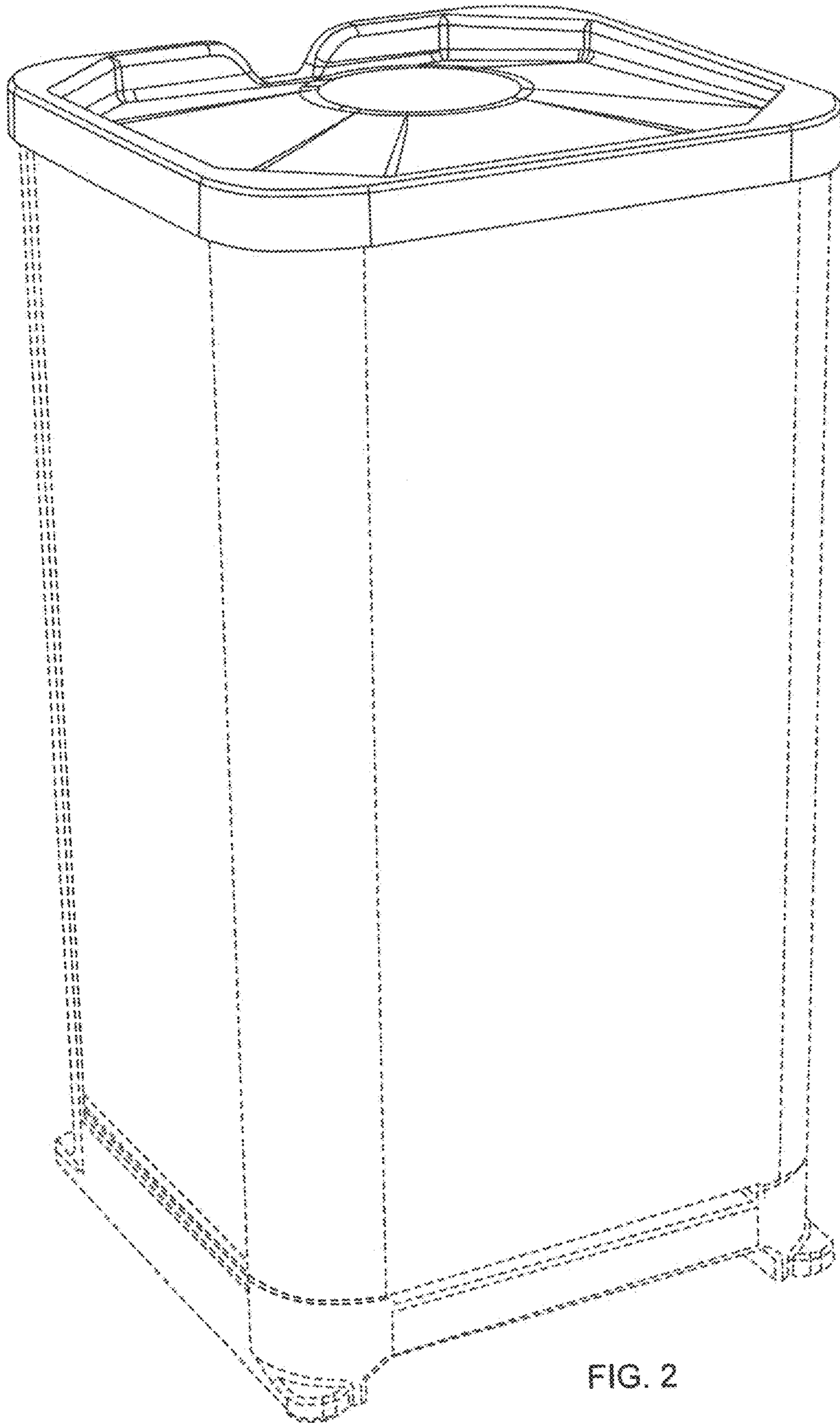


FIG. 2

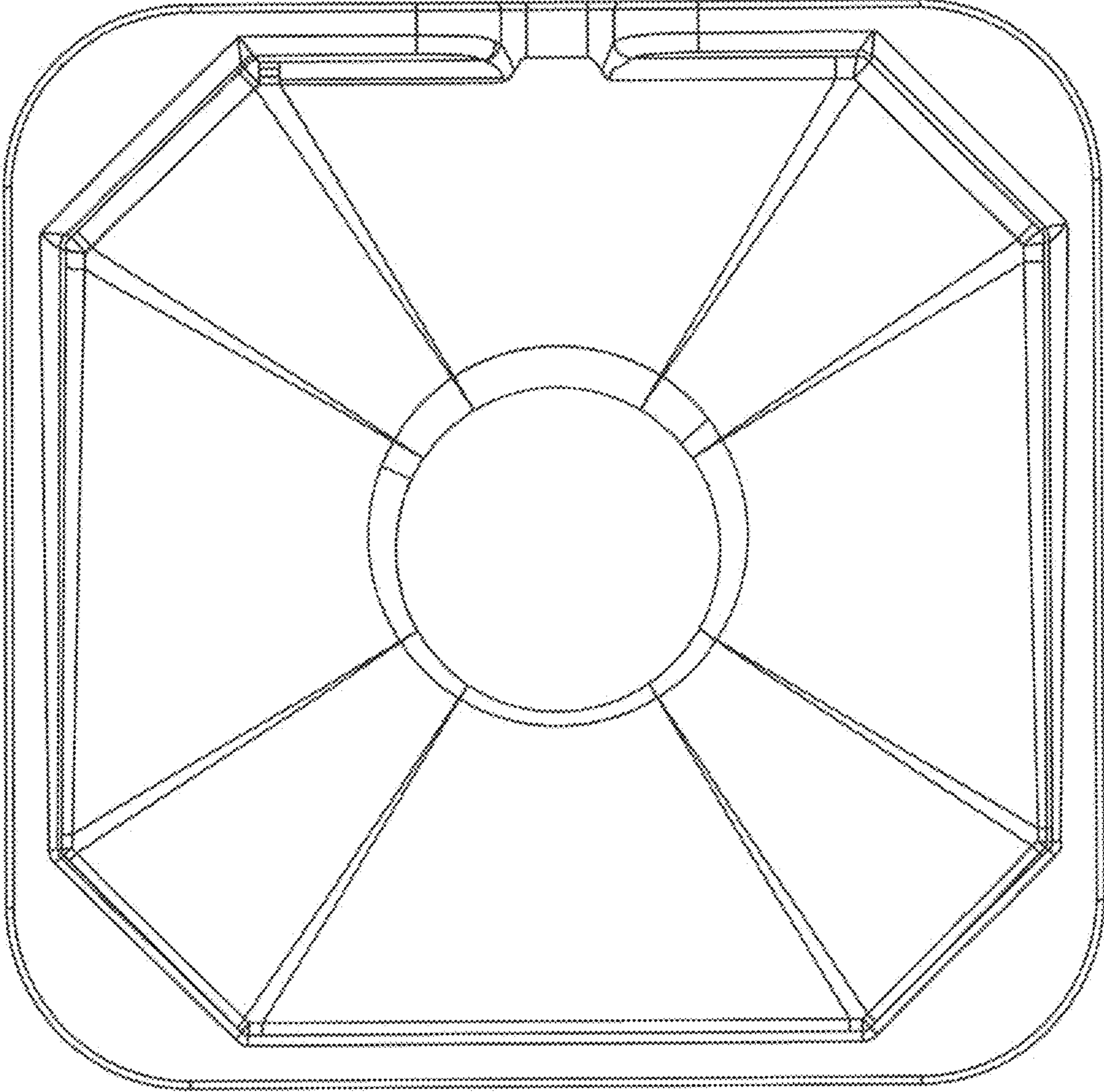


FIG. 3