



US00D819827S

(12) **United States Design Patent** (10) **Patent No.:** **US D819,827 S**  
**Piramoon** (45) **Date of Patent:** **\*\* Jun. 5, 2018**

- (54) **CENTRIFUGE BOTTLE HANDLE**
- (71) Applicant: **Fiberlite Centrifuge, LLC**, Santa Clara, CA (US)
- (72) Inventor: **Sina Piramoon**, San Jose, CA (US)
- (73) Assignee: **Fiberlite Centrifuge, LLC**, Santa Clara, CA (US)
- (\*\*) Term: **15 Years**
- (21) Appl. No.: **29/591,389**
- (22) Filed: **Jan. 19, 2017**

- (56) **References Cited**
- U.S. PATENT DOCUMENTS
- 1,665,602 A 4/1928 Netherland
- 2,078,743 A 4/1937 Traum
- (Continued)

- FOREIGN PATENT DOCUMENTS
- JP S5876154 A 5/1983
- WO 2009026436 A1 2/2009

- OTHER PUBLICATIONS
- Thermo Fisher Scientific Inc., Thermo Scientific Fiberlite Carbon Fiber Rotors, dated 2010, 2011, 2012, 2013 (16 pages).

*Primary Examiner* — Ian Simmons  
*Assistant Examiner* — Mark A Cavanna  
 (74) *Attorney, Agent, or Firm* — Wood Herron & Evans LLP

- Related U.S. Application Data**
- (62) Division of application No. 29/533,513, filed on Jul. 17, 2015, now Pat. No. Des. 777,941.
- (51) **LOC (11) Cl.** ..... **24-02**
- (52) **U.S. Cl.**  
USPC ..... **D24/224**
- (58) **Field of Classification Search**  
USPC ..... D24/121, 216, 219, 222–232; 215/204, 215/250, 270, 276–277, 288, 329, 295, 215/299, 302, 305–307, 352, 355, 398; 422/72, 547–568, 913, 916, 918; 210/91, 210/772; 206/219, 521; D23/250, 252; D8/25, 29; D7/300.1, 392.1, 397–398; D9/443, 451, 453, 503, 520, 542, D9/531–532, 724; D10/81; D12/197; 220/23.89, 212.5, 315, 732, 804; 494/10, 494/12, 16, 20, 37–38, 41, 43, 64  
CPC ..... A61B 10/0038; A61B 10/0096; B01F 13/0057; B01L 3/5021; B01L 3/50825; B04B 5/04; B04B 5/0414; B04B 5/0421; B04B 5/0442; B04B 7/02; B04B 7/08; B65D 1/06; B65D 2539/006; B65D 39/00; B65D 39/0029; B65D 41/28; B65D 41/3495; B65D 47/08; B65D 71/72; B65D

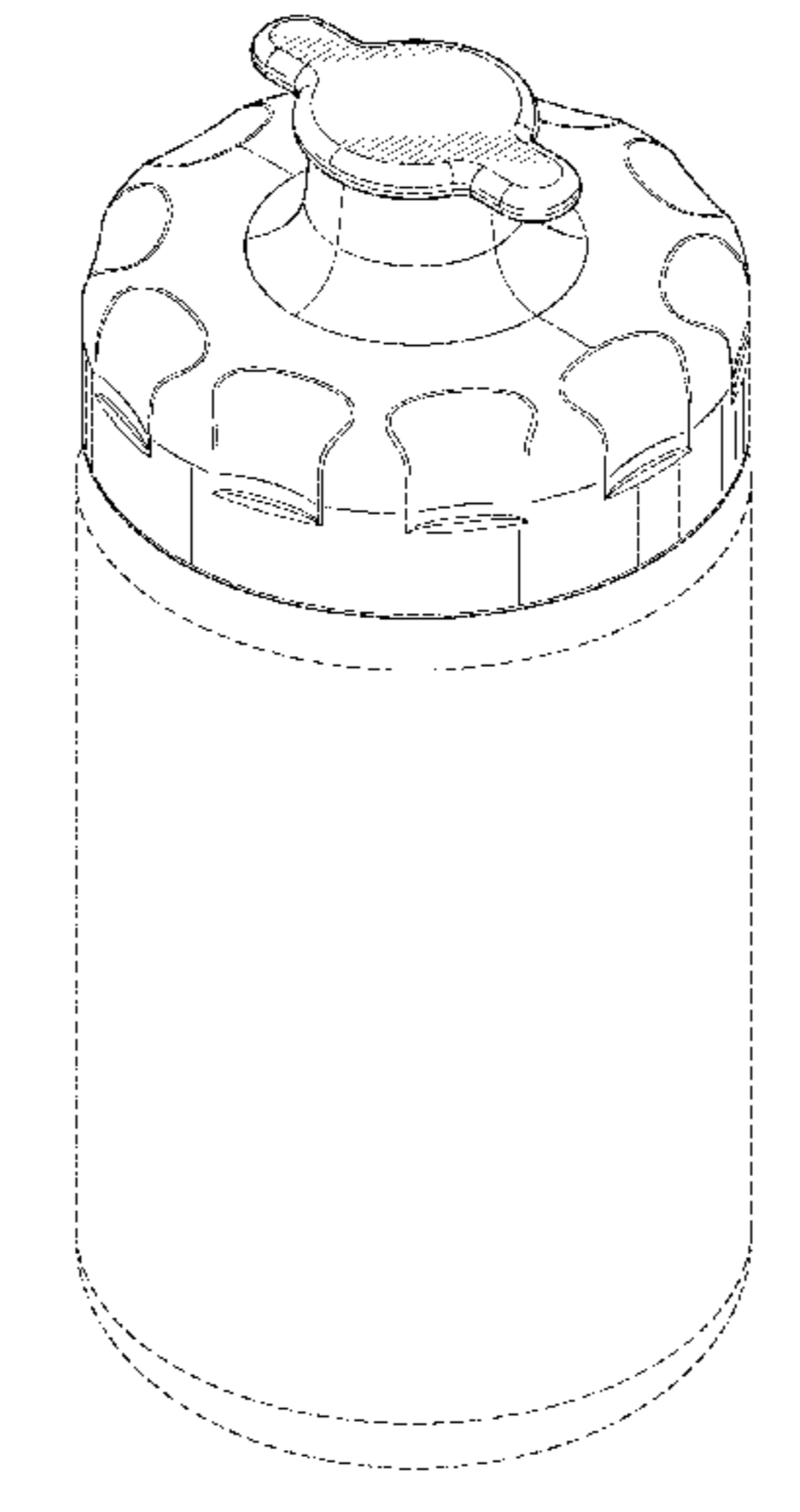
- (57) **CLAIM**
- The ornamental design for a centrifuge bottle handle, as shown and described.

**DESCRIPTION**

FIG. 1 is an isometric view of a centrifuge bottle handle showing my new design;  
 FIG. 2 is a front elevation view of the centrifuge bottle handle of FIG. 1, the rear view being identical thereto;  
 FIG. 3 is a side elevation view of the centrifuge bottle handle of FIG. 1, the other side view being identical thereto;  
 FIG. 4 is a top elevation view of the centrifuge bottle handle of FIG. 1; and,  
 FIG. 5 is a bottom elevation view of the centrifuge bottle handle of FIG. 1.  
 The broken lines shown in FIG. 1 depict environmental structure that forms no part of the claimed design. The broken lines in FIG. 5 enclose an unclaimed portion of the design, and also form no part of the claimed design.

**1 Claim, 3 Drawing Sheets**

(Continued)



(58) **Field of Classification Search**  
 CPC ..... 85/20; B65D 85/42; G01N 15/042; G01N  
 33/491; G01N 9/30  
 See application file for complete search history.

(56) **References Cited**

U.S. PATENT DOCUMENTS

2,307,390 A 1/1943 Chew  
 2,549,225 A 4/1951 Moy  
 3,366,320 A 1/1968 Cho  
 3,391,597 A 7/1968 Gropper  
 3,410,435 A 11/1968 Kopczynski  
 3,434,615 A 3/1969 Barletta  
 3,819,111 A \* 6/1974 Romanauskas ..... B04B 5/0414  
 494/16  
 4,010,890 A \* 3/1977 Wright ..... B04B 7/02  
 494/43  
 4,364,903 A 12/1982 Bittings  
 4,426,295 A 1/1984 Evans et al.  
 4,469,235 A 9/1984 Parker  
 4,514,091 A 4/1985 Kaspar et al.  
 4,915,255 A 4/1990 Curtis  
 5,184,740 A 2/1993 Mandrell, II et al.  
 D342,448 S 12/1993 Ritcey  
 5,344,380 A 9/1994 Chern et al.  
 D351,793 S 10/1994 Stoller  
 D357,730 S 4/1995 Saperstein  
 D358,329 S \* 5/1995 Dickie ..... D9/443  
 5,431,305 A 7/1995 Kaminski  
 5,487,719 A \* 1/1996 Houston ..... B04B 5/0414  
 494/38  
 D367,613 S 3/1996 Weiler  
 5,533,644 A 7/1996 Glen et al.  
 D380,387 S 7/1997 Weiler  
 5,665,047 A \* 9/1997 Brimhall ..... B04B 5/0414  
 494/37  
 D386,955 S 12/1997 Jones et al.  
 5,704,502 A 1/1998 Greenfield  
 5,899,349 A 5/1999 Moore  
 5,941,404 A 8/1999 Charrette  
 RE36,341 E 10/1999 Howell  
 6,062,407 A 5/2000 Moore  
 D434,294 S 11/2000 Bernel  
 6,253,942 B1 7/2001 Elias  
 6,350,225 B1 2/2002 Sheeran et al.  
 D462,246 S 9/2002 Skeens  
 D472,145 S \* 3/2003 Nottingham ..... D9/443  
 D482,975 S \* 12/2003 Nottingham ..... D9/532  
 6,811,047 B1 11/2004 Hicks et al.

D511,457 S 11/2005 Biesecker et al.  
 D513,791 S 1/2006 Kosasih  
 D522,623 S 6/2006 Koury et al.  
 D573,475 S 7/2008 Nottingham et al.  
 D575,580 S 8/2008 Germany  
 D580,522 S 11/2008 Zhang  
 D581,020 S 11/2008 Dolan  
 D582,523 S 12/2008 Hanna  
 D616,748 S \* 6/2010 Nakamura ..... D9/443  
 D621,705 S 8/2010 Breckan  
 D621,706 S 8/2010 Breckan  
 D621,707 S 8/2010 Breckan  
 D625,560 S \* 10/2010 Olson ..... D7/300.1  
 D630,043 S 1/2011 Taggart et al.  
 D636,264 S 4/2011 Wassum et al.  
 D640,552 S 6/2011 Eiteljorg et al.  
 D640,553 S 6/2011 Eiteljorg et al.  
 7,988,007 B2 8/2011 Baughman et al.  
 8,002,131 B2 8/2011 Karabin  
 D646,523 S 10/2011 Johnson et al.  
 8,105,556 B2 1/2012 Romanauskas et al.  
 D654,797 S \* 2/2012 Chen ..... D9/436  
 8,132,685 B2 3/2012 Wellman  
 D658,437 S 5/2012 Johnson et al.  
 8,215,508 B2 7/2012 Baird et al.  
 8,616,394 B2 12/2013 Kim  
 8,668,098 B2 3/2014 Wand  
 D704,058 S 5/2014 Last  
 D715,147 S 10/2014 Ginzburg et al.  
 D723,181 S 2/2015 Kawamura  
 D727,726 S 4/2015 Friedman  
 D731,324 S 6/2015 Li  
 D732,684 S 6/2015 Ooi et al.  
 9,114,407 B2 8/2015 Kitazawa et al.  
 D739,204 S 9/2015 Arthurs  
 9,272,278 B2 3/2016 Daub et al.  
 9,278,361 B2 3/2016 Holderle  
 D757,516 S 5/2016 Nesbitt  
 D760,574 S 7/2016 Arthurs et al.  
 D777,342 S 1/2017 Piramoon  
 D779,324 S \* 2/2017 Martini ..... D9/443  
 D786,672 S \* 5/2017 van Spronsen ..... D9/443  
 2006/0199720 A1 \* 9/2006 Juan ..... B04B 5/0442  
 494/64  
 2008/0041869 A1 2/2008 Backaert  
 2010/0308006 A1 12/2010 Walker-Smith  
 2011/0220607 A1 9/2011 Mukunoki  
 2013/0316889 A1 11/2013 Asakura et al.  
 2016/0158745 A1 6/2016 Piramoon  
 2016/0310967 A1 10/2016 Henne et al.

\* cited by examiner

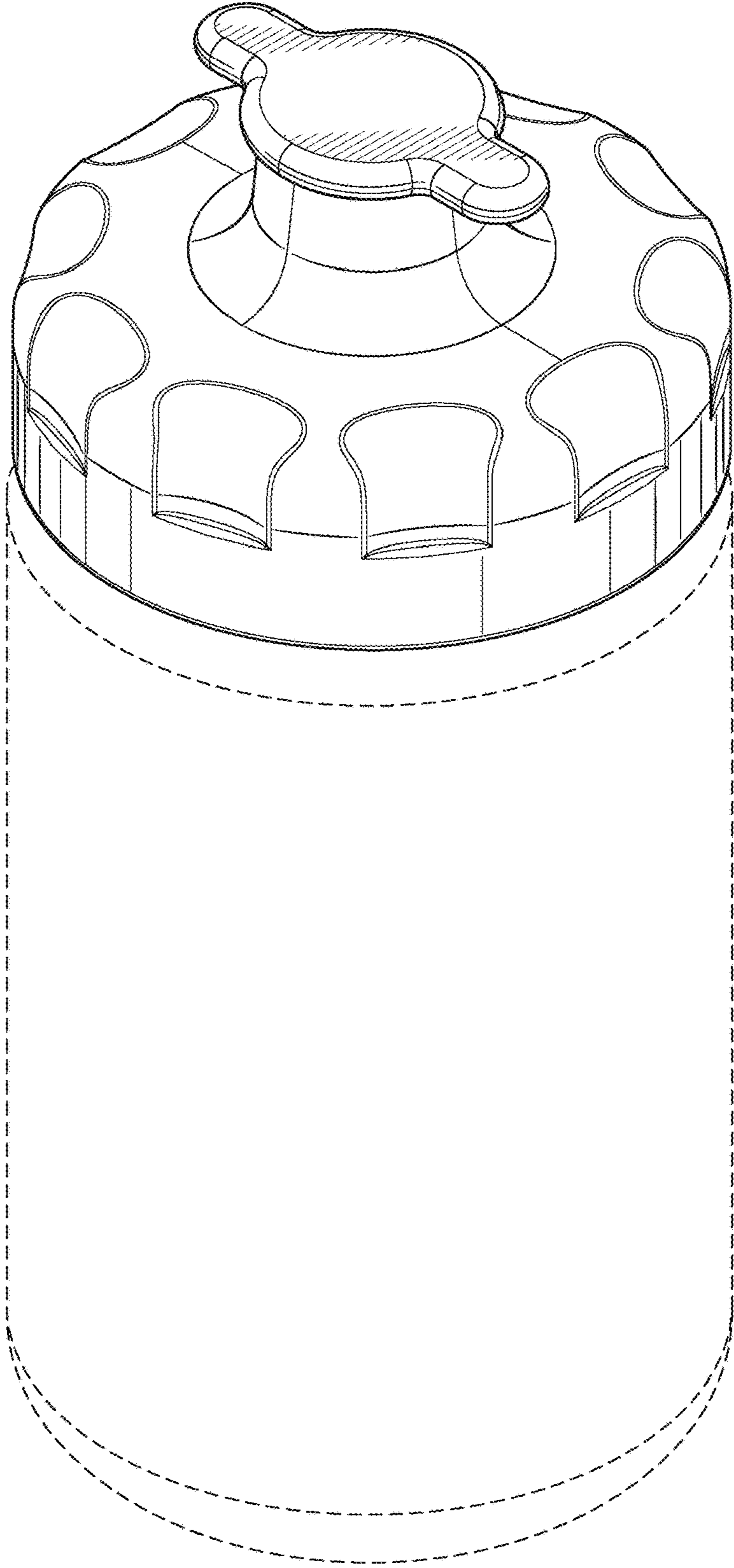


FIG. 1



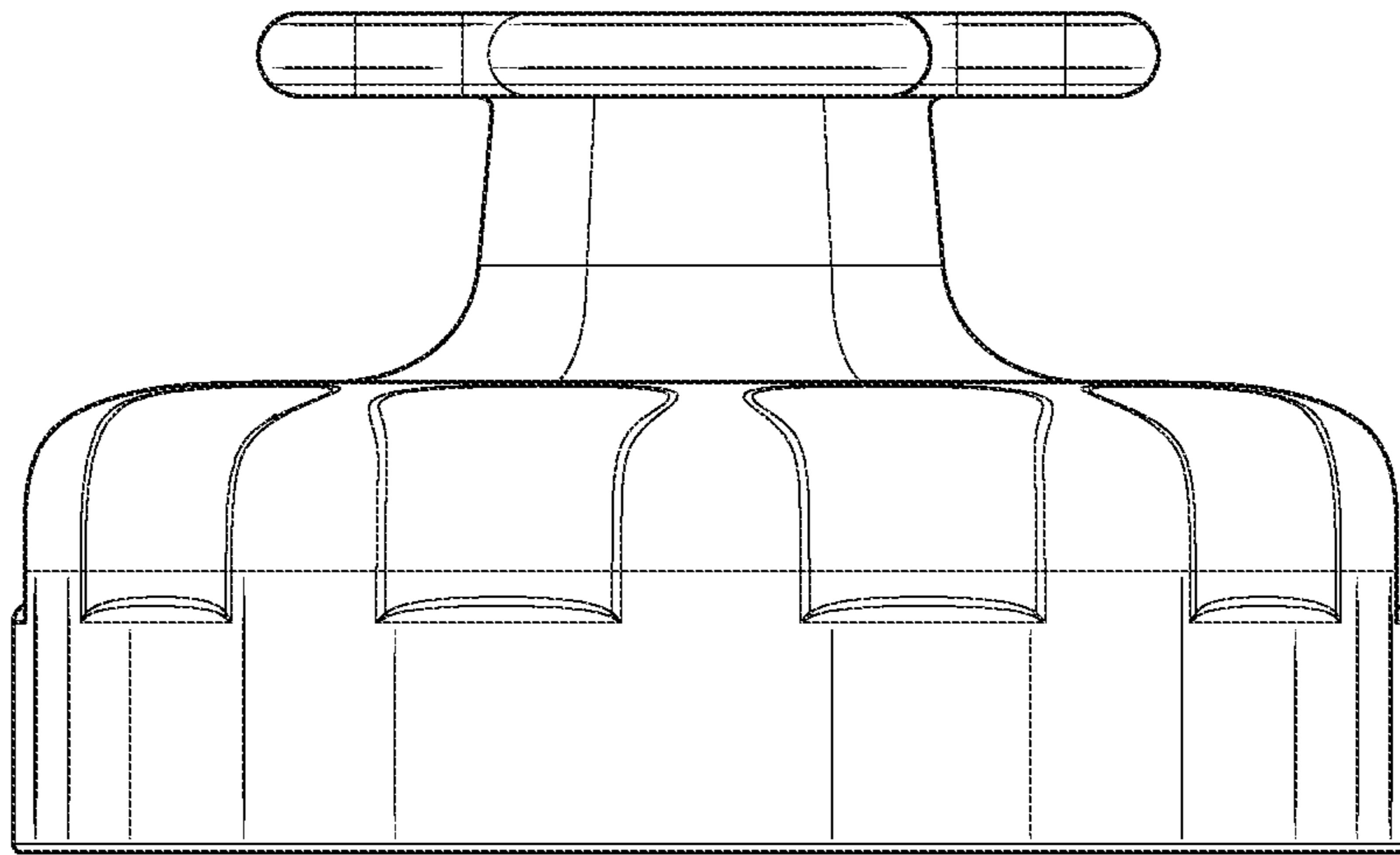


FIG. 2

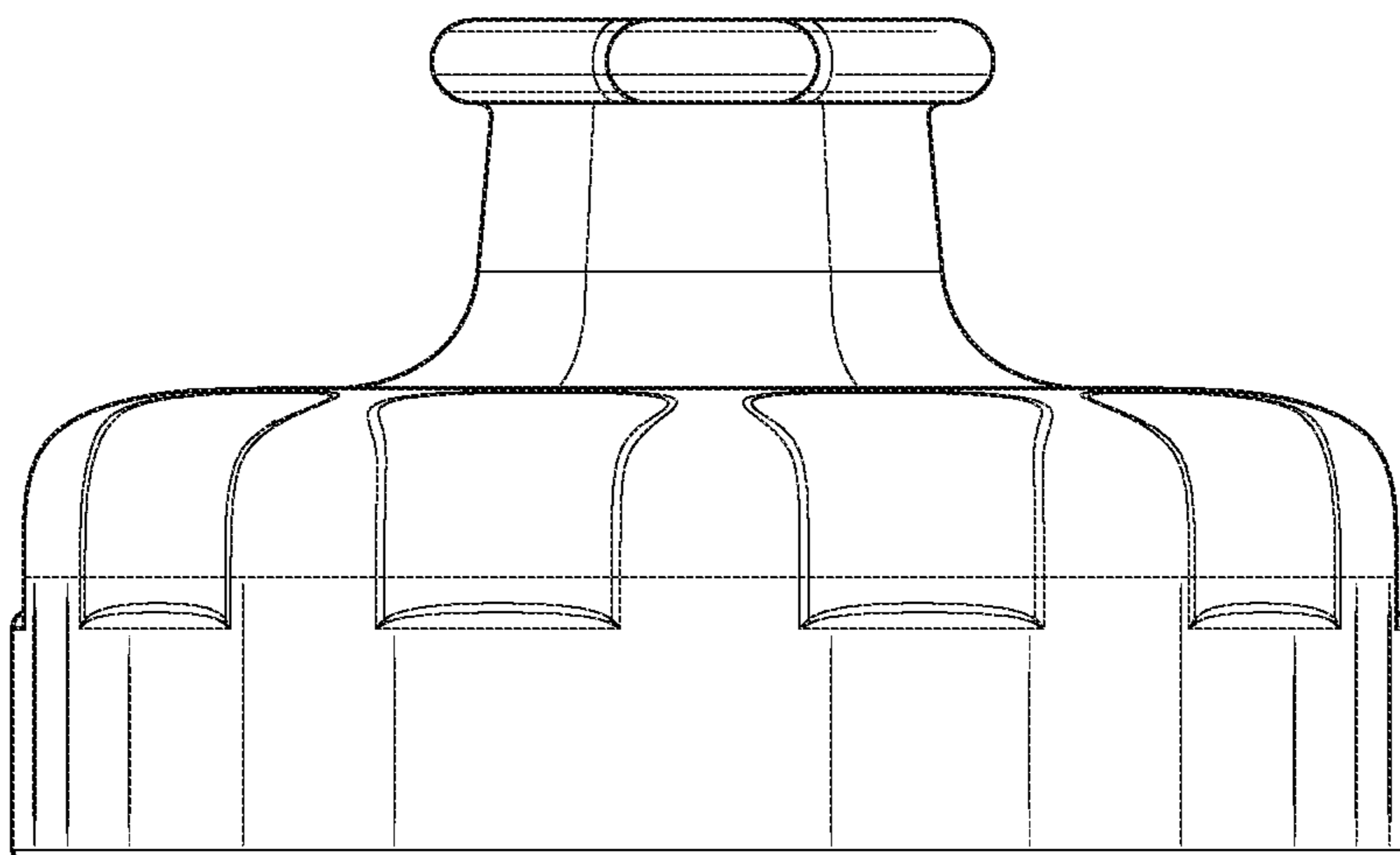


FIG. 3

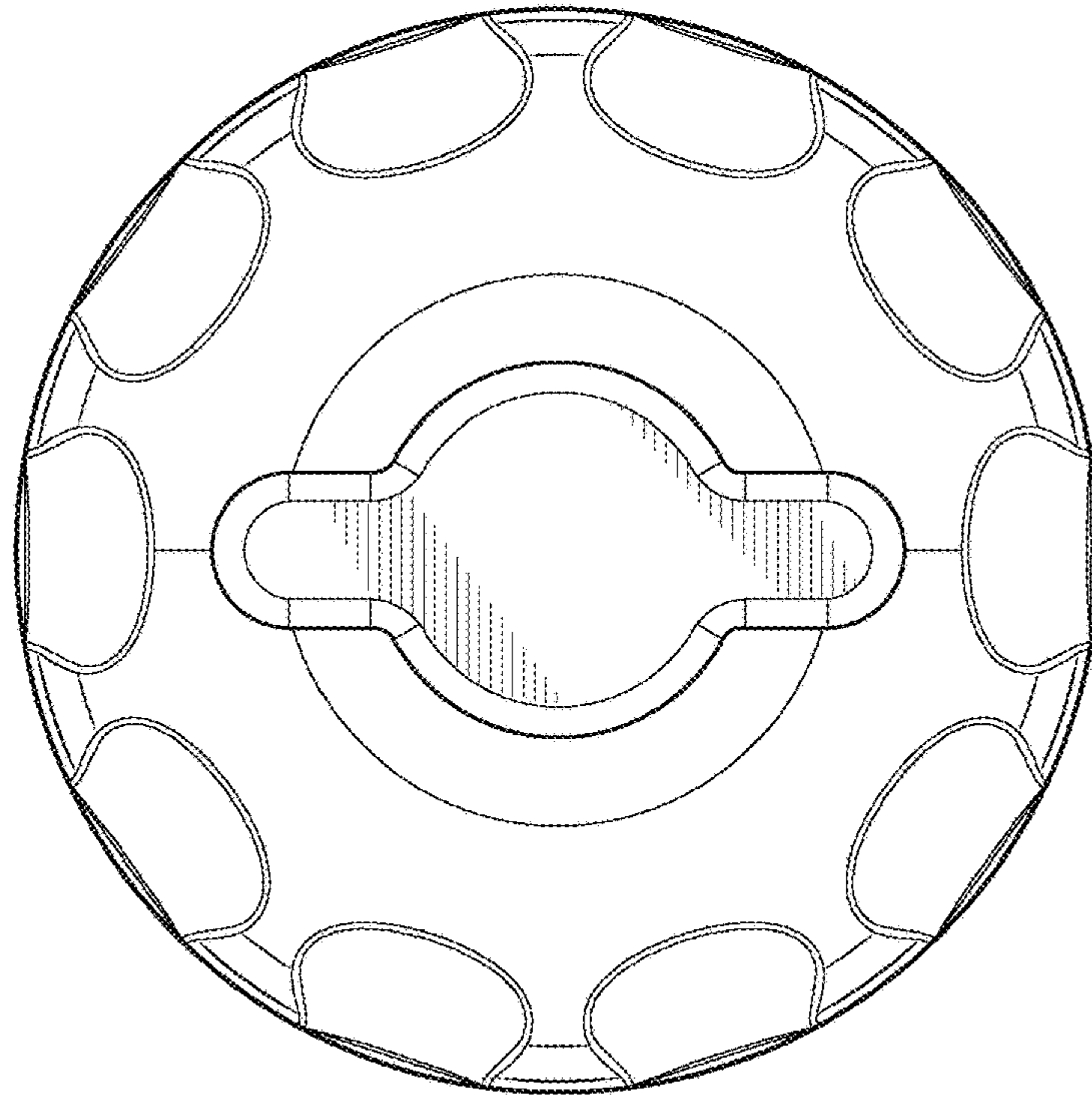


FIG. 4

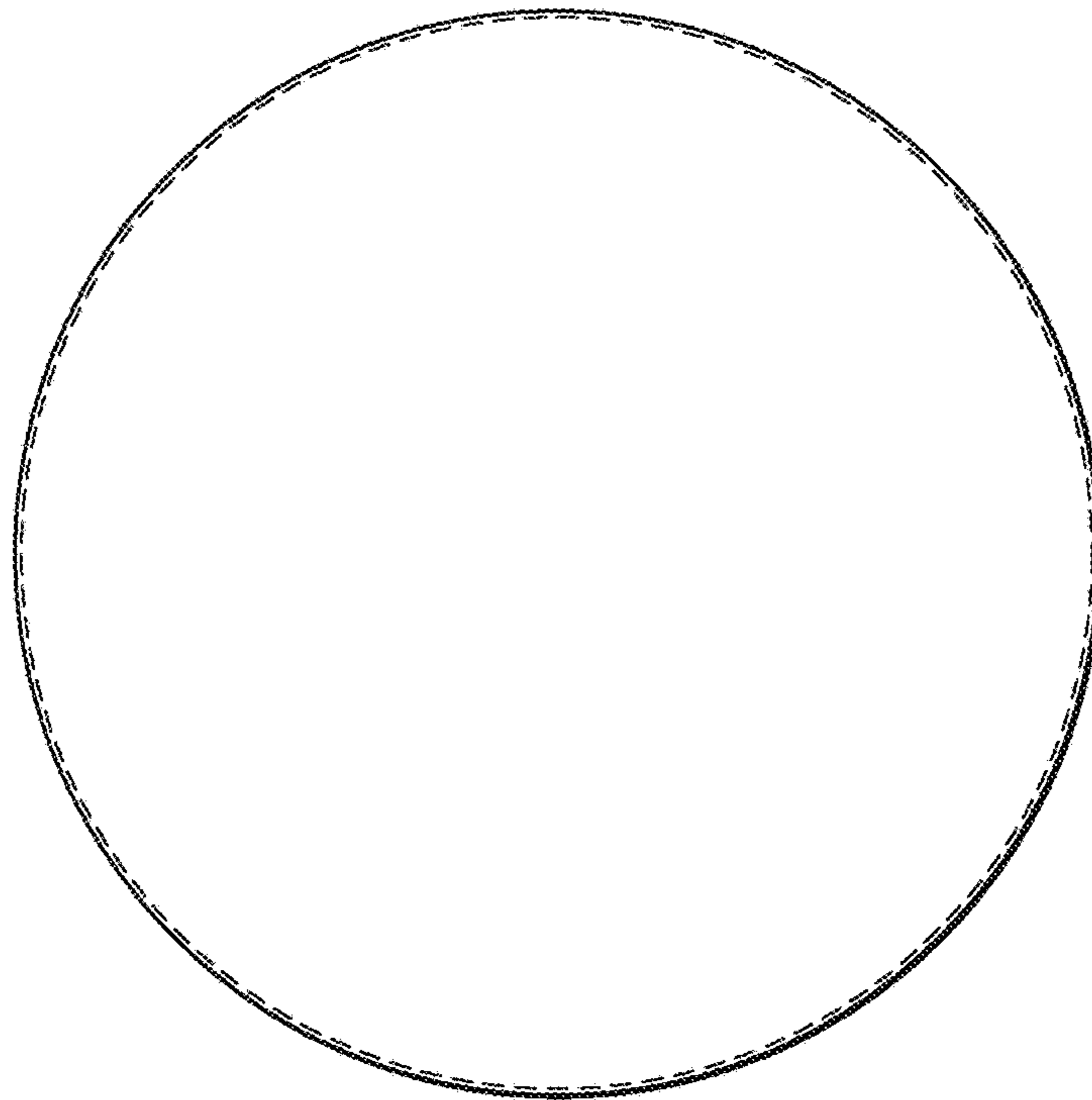


FIG. 5