



US00D819822S

(12) **United States Design Patent**  
**Schmitt et al.**

(10) **Patent No.:** **US D819,822 S**

(45) **Date of Patent:** **\*\* Jun. 5, 2018**

(54) **ORTHOSIS**

CPC ..... A61F 5/0127  
See application file for complete search history.

(71) Applicant: **OTTO BOCK HEALTHCARE GMBH**, Duderstadt (DE)

(56) **References Cited**

(72) Inventors: **Alexander Schmitt**, Kassel (DE);  
**Fredrik Olsson**, Katrineholm (SE);  
**Nylin Britt**, Söderköping (SE); **Ulf Andersson**, Linköping (SE); **Andreas Weiß**, Kolbermoor (DE); **Stephan Schill**, Prien am Chiemsee (DE)

U.S. PATENT DOCUMENTS

D395,514 S \* 6/1998 Stano ..... D24/192  
D481,798 S \* 11/2003 Slautterback ..... D24/192  
D530,016 S \* 10/2006 Sroufe ..... D24/192  
D542,920 S \* 5/2007 Slautterback ..... D24/192  
D592,755 S \* 5/2009 Chang ..... D24/192  
D693,471 S \* 11/2013 Bradshaw ..... A61F 5/0127  
D722,382 S \* 2/2015 Lee ..... D24/192  
D776,289 S \* 1/2017 Dunn ..... D24/192  
D787,077 S \* 5/2017 Lindsay ..... D24/192

(73) Assignee: **OTTO BOCK HEALTHCARE GMBH**, Duderstadt (DE)

(\*\*) Term: **15 Years**

\* cited by examiner

(21) Appl. No.: **35/502,497**

*Primary Examiner* — George D. Kirschbaum

(22) Filed: **Oct. 26, 2016**

(74) *Attorney, Agent, or Firm* — Holland & Hart

(80) **Hague Agreement Data**

Int. Filing Date: **Oct. 26, 2016**  
Int. Reg. No.: **DM/094712**  
Int. Reg. Date: **Oct. 26, 2016**  
Int. Reg. Pub. Date: **Feb. 24, 2017**

(57) **CLAIM**

The ornamental design for an orthosis, as shown and described.

(30) **Foreign Application Priority Data**

Apr. 29, 2016 (EM) ..... 003101534

(51) **LOC (11) Cl.** ..... **24-02**

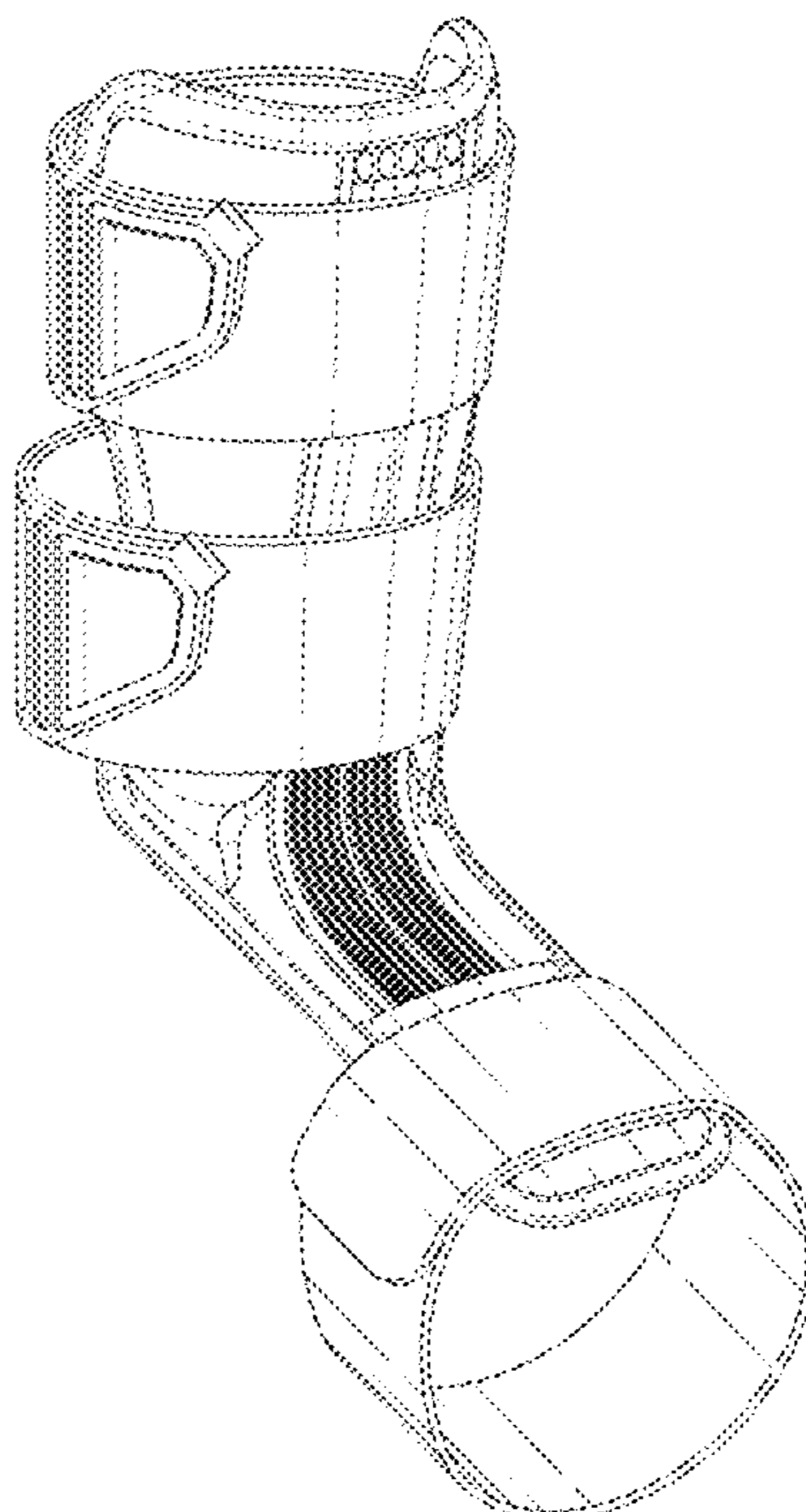
(52) **U.S. Cl.**  
USPC ..... **D24/192**

(58) **Field of Classification Search**  
USPC ..... D24/190–192

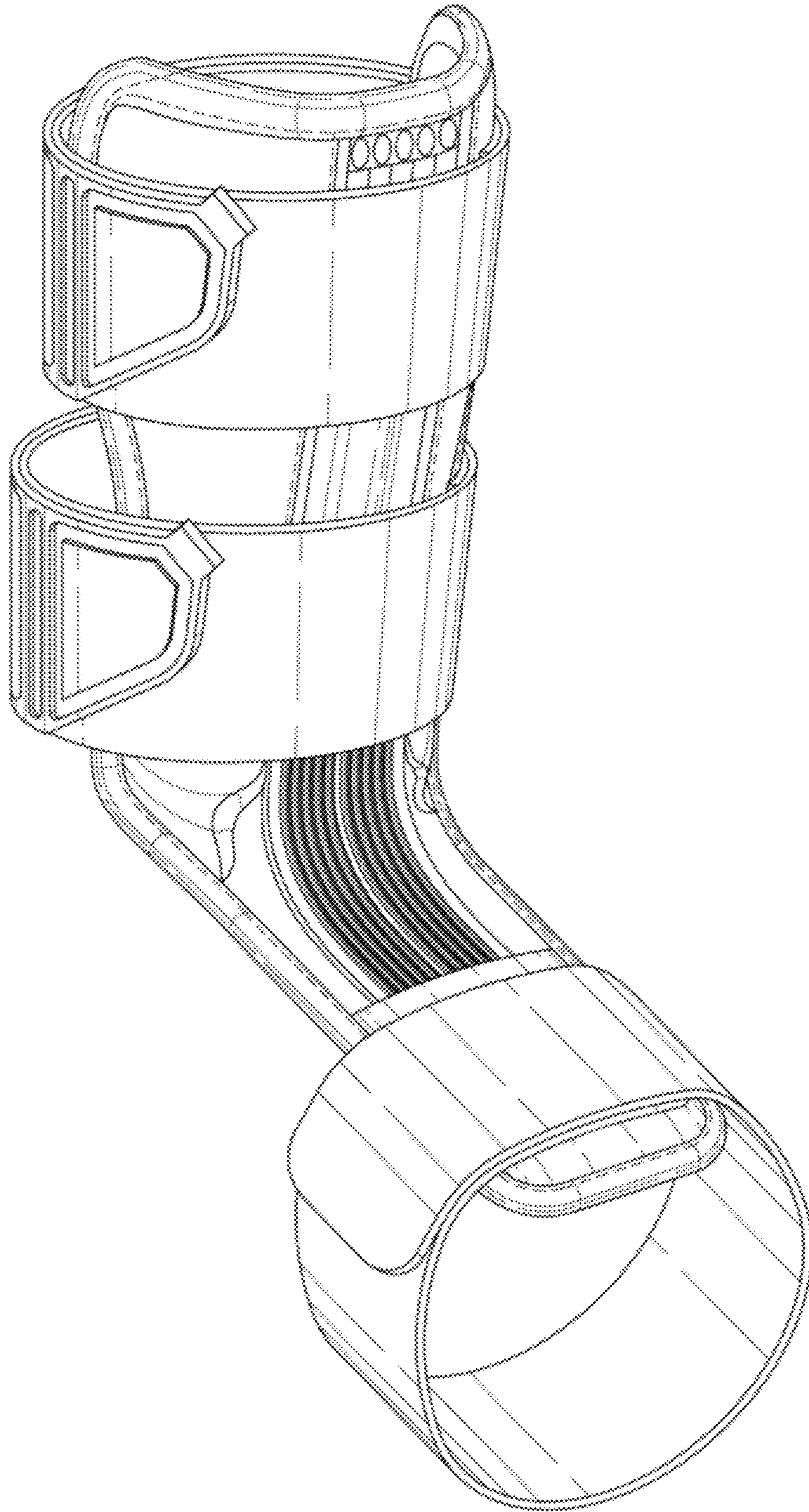
**DESCRIPTION**

- 1. Orthosis
- 1.1 : Perspective
- 1.2 : Left
- 1.3 : Right
- 1.4 : Front
- 1.5 : Back
- 1.6 : Top
- 1.7 : Bottom

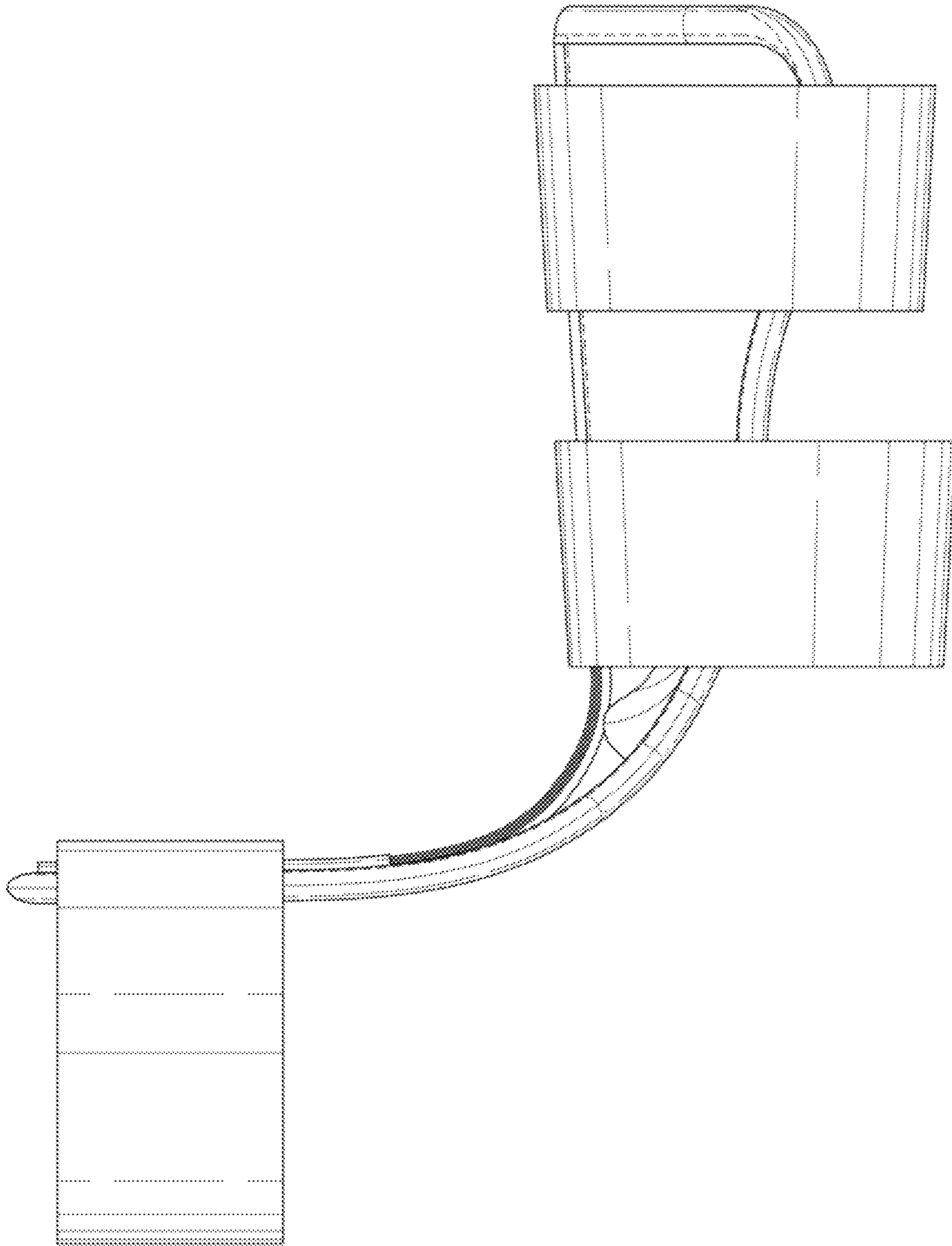
**1 Claim, 7 Drawing Sheets**



1.1

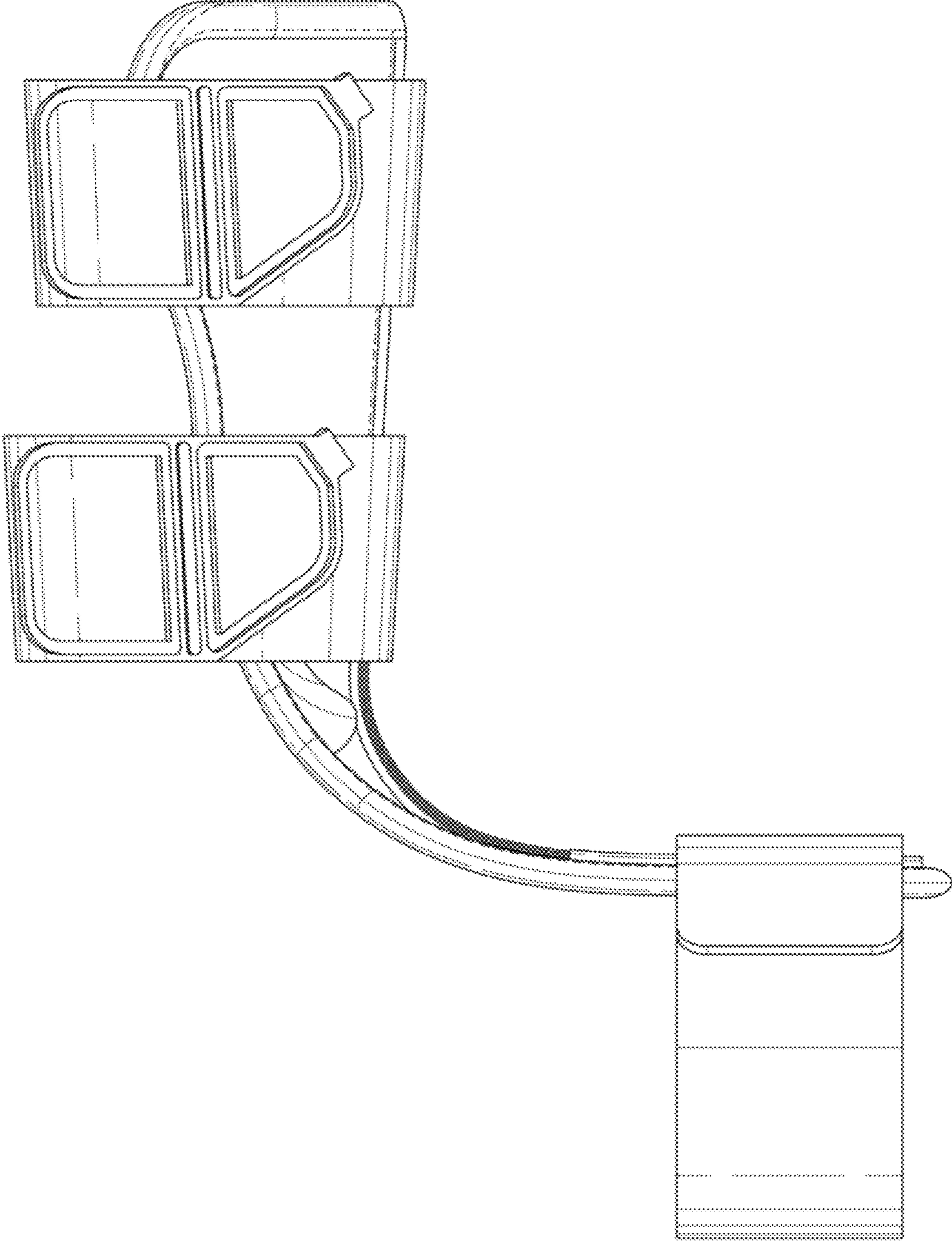


1.2

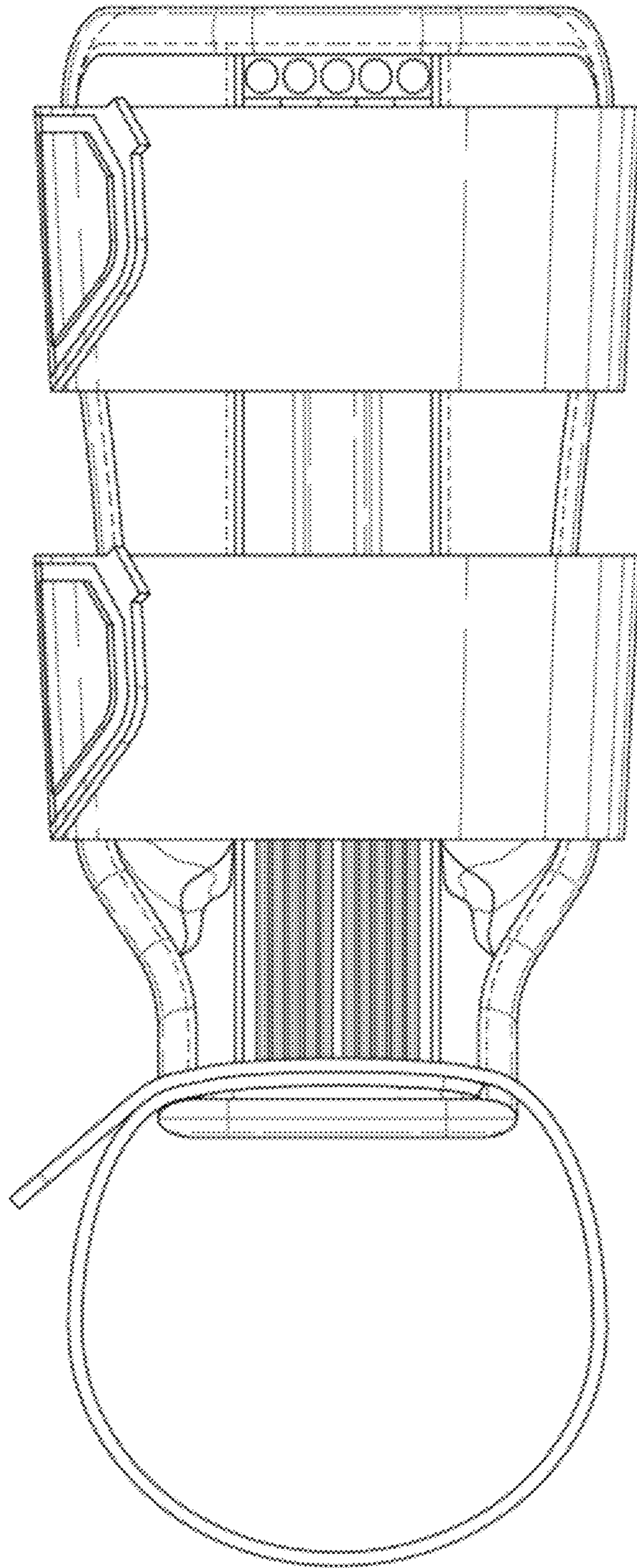




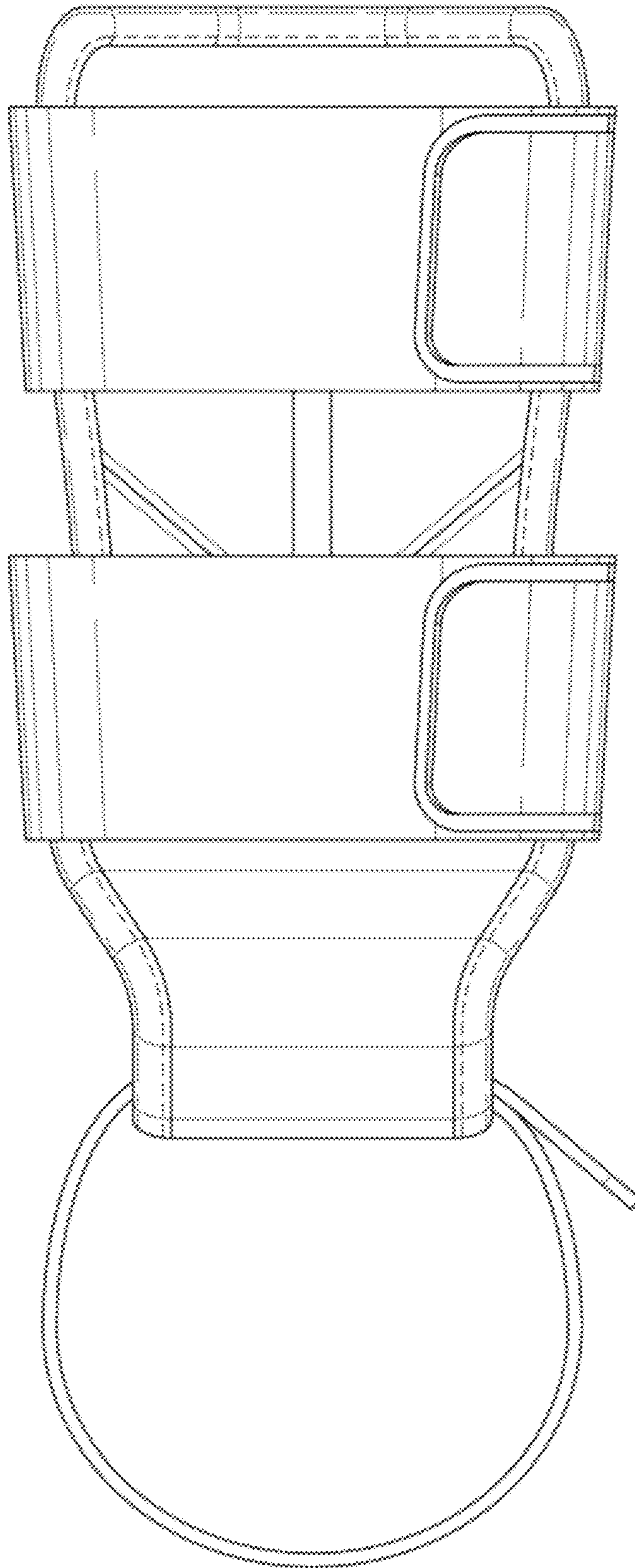
1.3



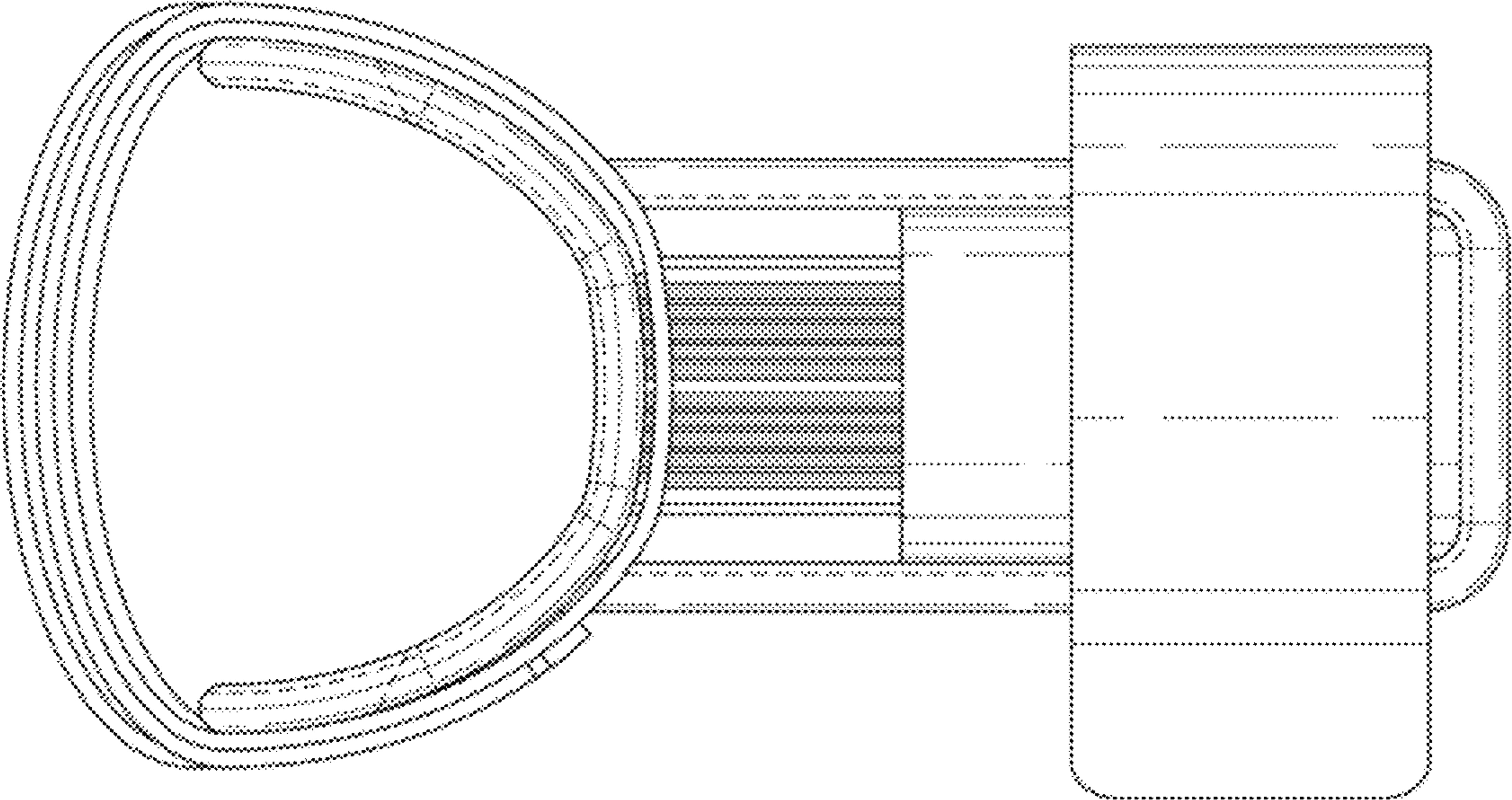
1.4



1.5



1.6





1.7

