



US00D819819S

(12) **United States Design Patent**  
**Nutter et al.**

(10) **Patent No.:** **US D819,819 S**  
(45) **Date of Patent:** **\*\* Jun. 5, 2018**

(54) **THREE-DIMENSIONAL ANATOMIC FIRST METATARSAL-PHALANGEAL JOINT REPLACEMENT**

D284,099 S \* 6/1986 Laporta ..... D24/155  
D291,731 S \* 9/1987 Aikins ..... D24/155  
D504,514 S \* 4/2005 Spalding, Jr. .... D24/156  
9,504,582 B2 \* 11/2016 Sander ..... A61F 2/4241

(71) Applicants: **David Scott Nutter**, Dayton, MD (US);  
**Scott Wayne Nutter**, Dayton, MD (US)

\* cited by examiner

(72) Inventors: **David Scott Nutter**, Dayton, MD (US);  
**Scott Wayne Nutter**, Dayton, MD (US)

*Primary Examiner* — Charles D Hanson  
(74) *Attorney, Agent, or Firm* — Ming Chow; Sinorica, LLC

(\*\*) Term: **15 Years**

(21) Appl. No.: **29/611,923**

(22) Filed: **Jul. 26, 2017**

(51) **LOC (11) Cl.** ..... **24-02**

(52) **U.S. Cl.**  
USPC ..... **D24/155**

(58) **Field of Classification Search**  
USPC ..... D24/155  
CPC .. A61F 2/583; A61F 2/586; A61F 2/68; A61F 2002/701; A61F 2002/704; A61F 2002/587; A61F 2002/7635; A61F 2002/6827; A61F 2002/5061; A61F 5/013  
See application file for complete search history.

(57) **CLAIM**

The ornamental design for a three-dimensional anatomic first metatarsal-phalangeal joint replacement, as shown and described.

**DESCRIPTION**

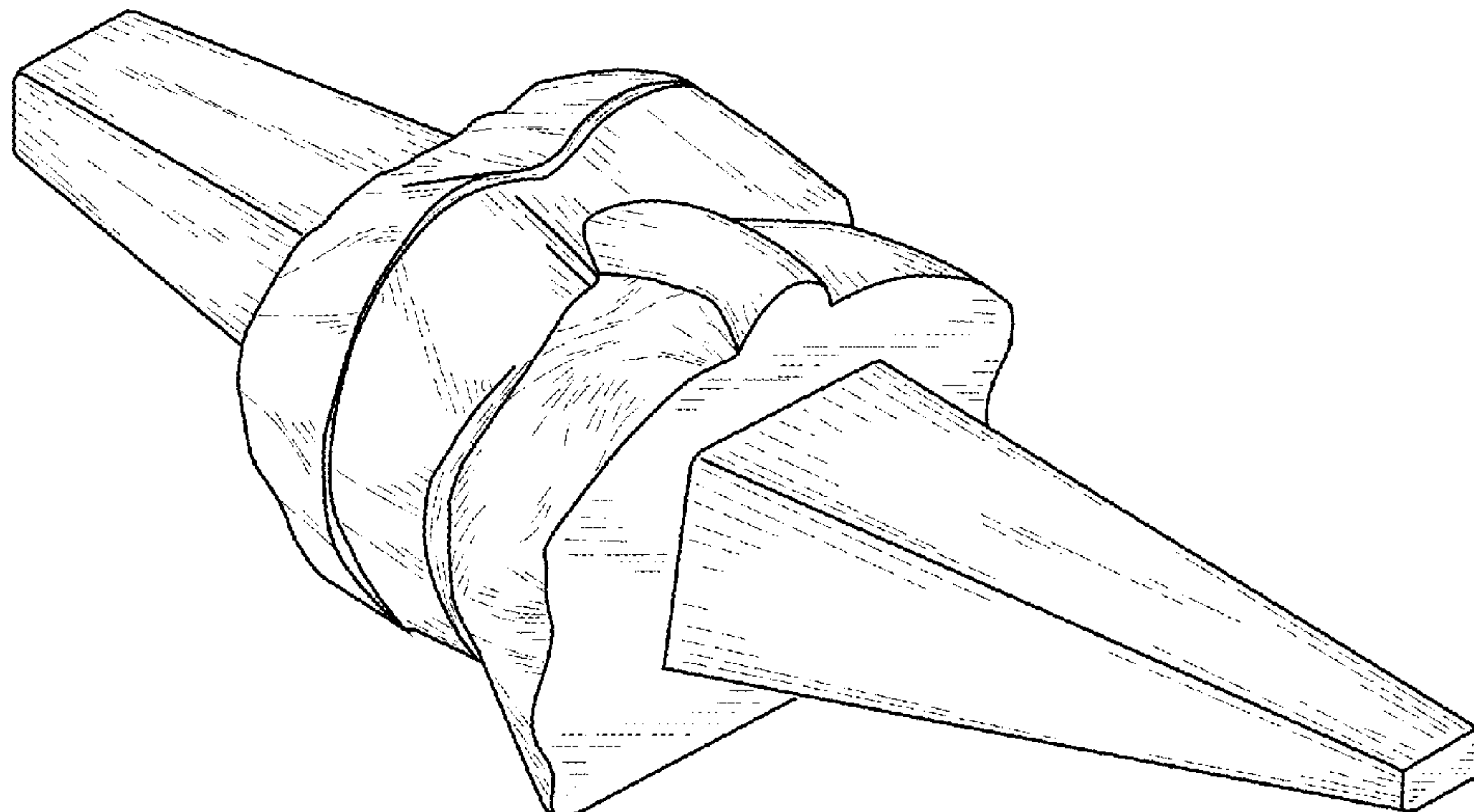
FIG. 1 is a top front perspective view of a three-dimensional anatomic first metatarsal-phalangeal joint replacement showing my new design;  
FIG. 2 is a top rear perspective view thereof;  
FIG. 3 is left view thereof;  
FIG. 4 is a right view thereof;  
FIG. 5 is a top view thereof;  
FIG. 6 is a bottom view thereof;  
FIG. 7 is a front view thereof;  
FIG. 8 is a back view thereof;  
FIG. 9 is an exploded top front perspective view thereof;  
FIG. 10 is an exploded bottom front perspective view thereof;  
FIG. 11 is an exploded top rear perspective view thereof;  
FIG. 12 is an exploded bottom rear perspective view thereof;  
FIG. 13 is a cross sectional view thereof taken along line 13-13 in FIG. 9; and,  
FIG. 14 is cross sectional view thereof taken along line 14-14 in FIG. 9.

(56) **References Cited**

**U.S. PATENT DOCUMENTS**

3,688,316 A \* 9/1972 Lagrange ..... A61F 2/30767  
403/152  
3,837,009 A \* 9/1974 Walker ..... A61F 2/385  
623/20.26  
3,992,726 A \* 11/1976 Freeman ..... A61F 2/4225  
623/23.4  
D243,716 S \* 3/1977 Treace ..... D24/155  
4,204,284 A \* 5/1980 Koeneman ..... A61F 2/4241  
403/224  
D277,509 S \* 2/1985 Lawrence ..... D24/155  
D277,784 S \* 2/1985 Sgarlato ..... D24/155

**1 Claim, 14 Drawing Sheets**



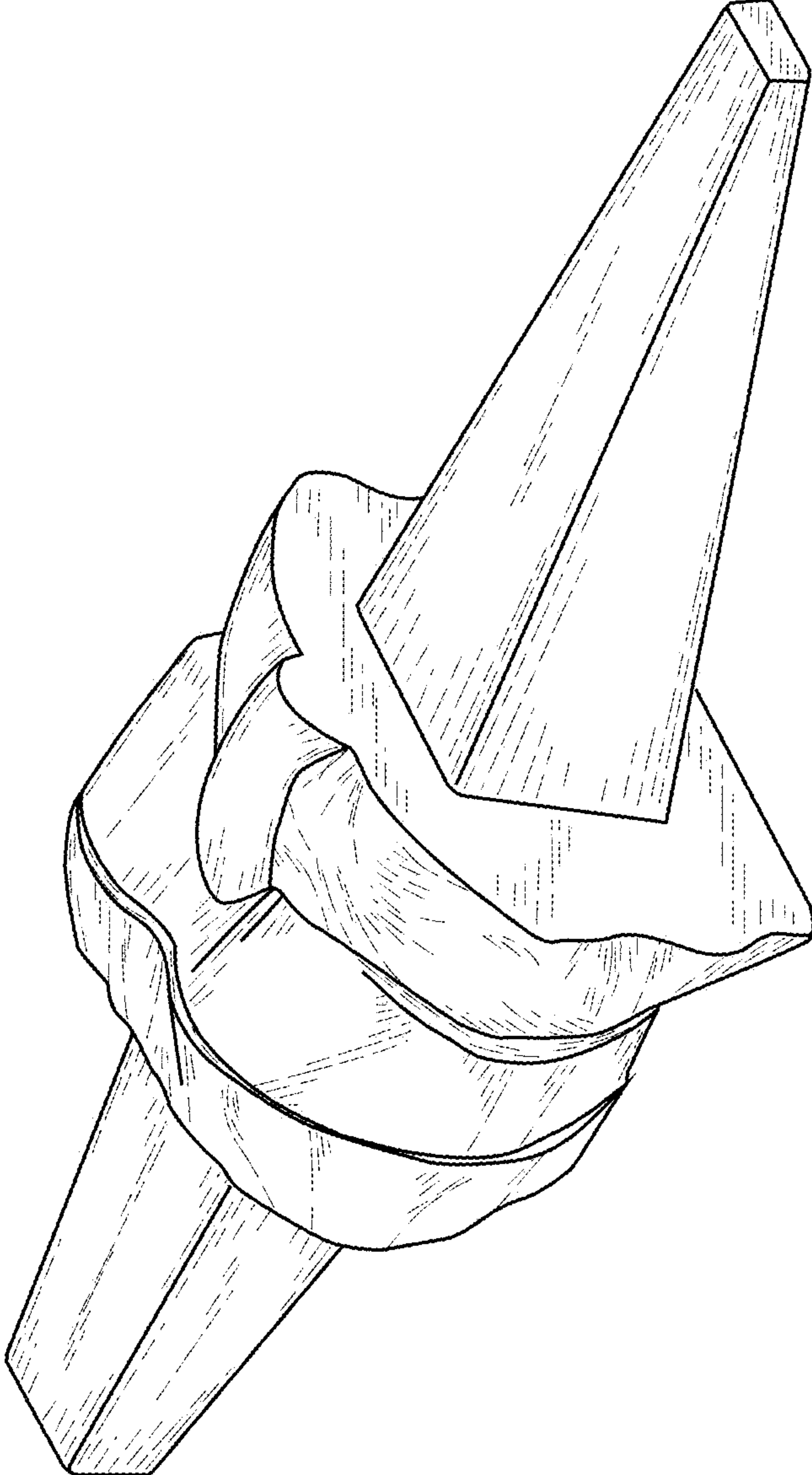


FIG. 1

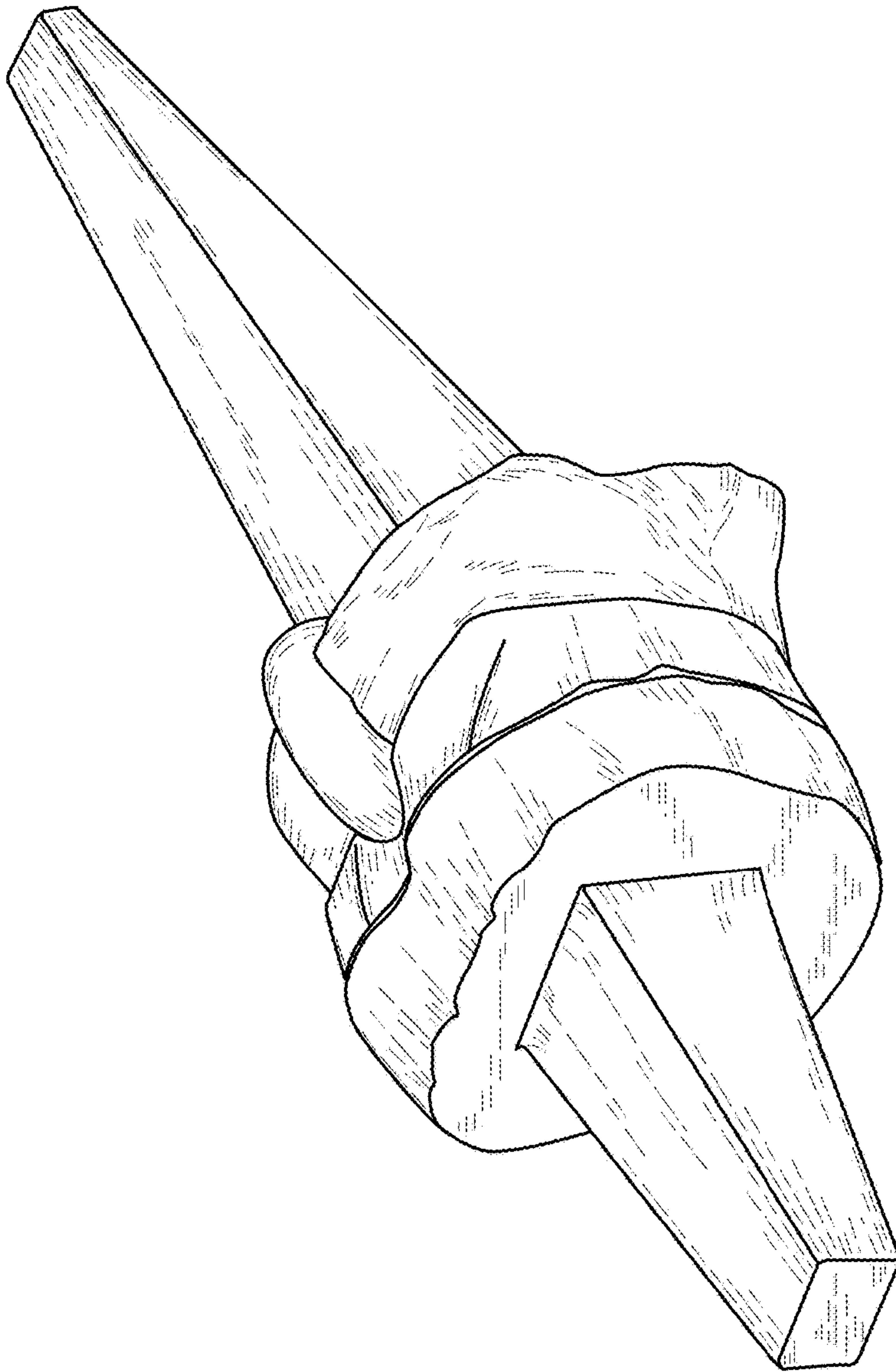


FIG. 2

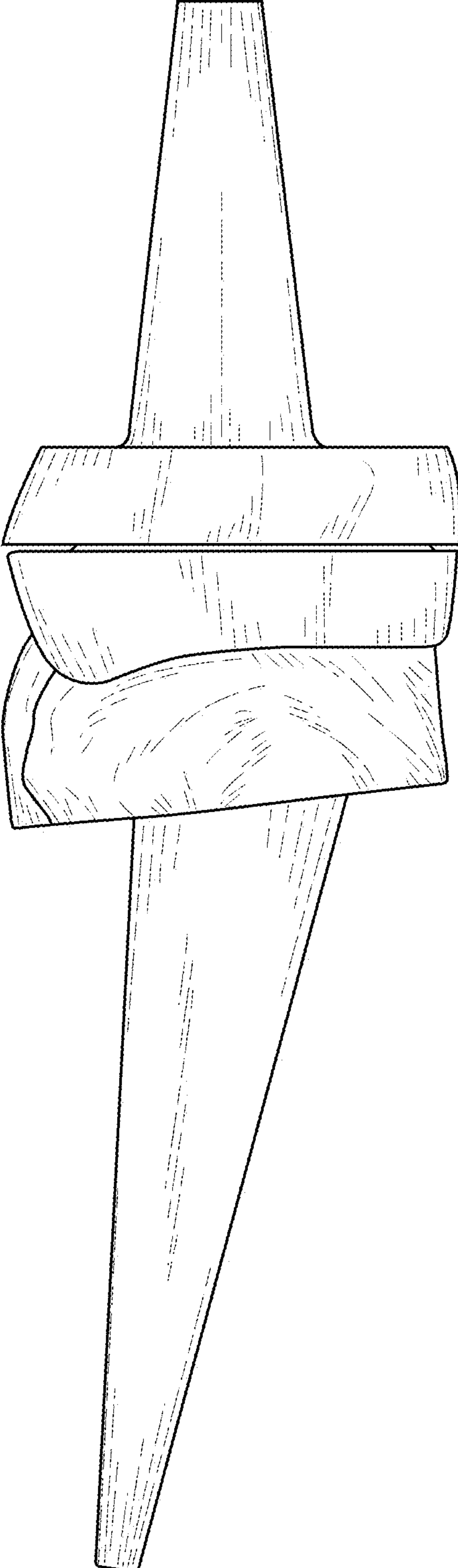


FIG. 3

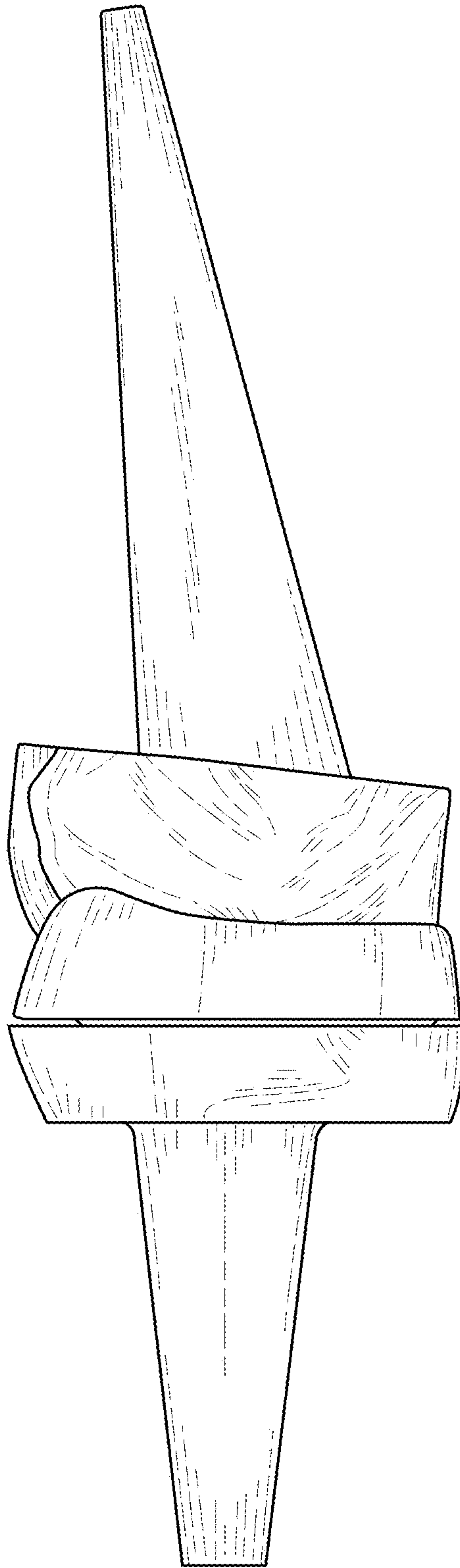


FIG. 4



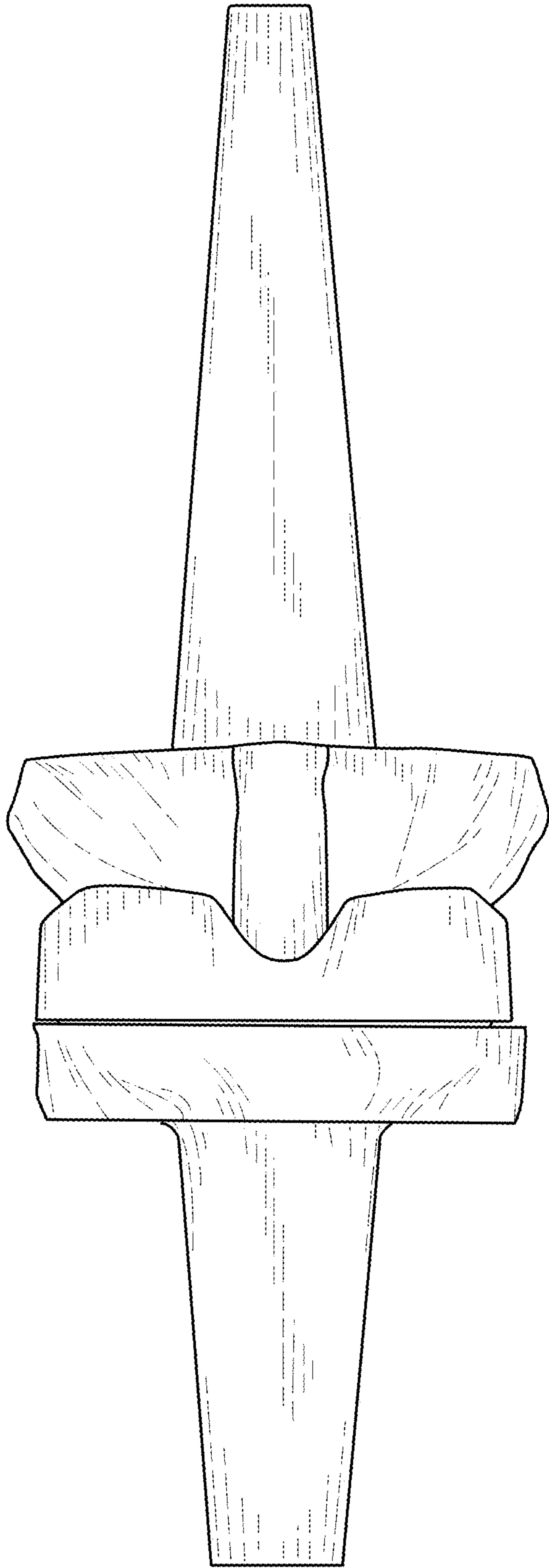


FIG. 5

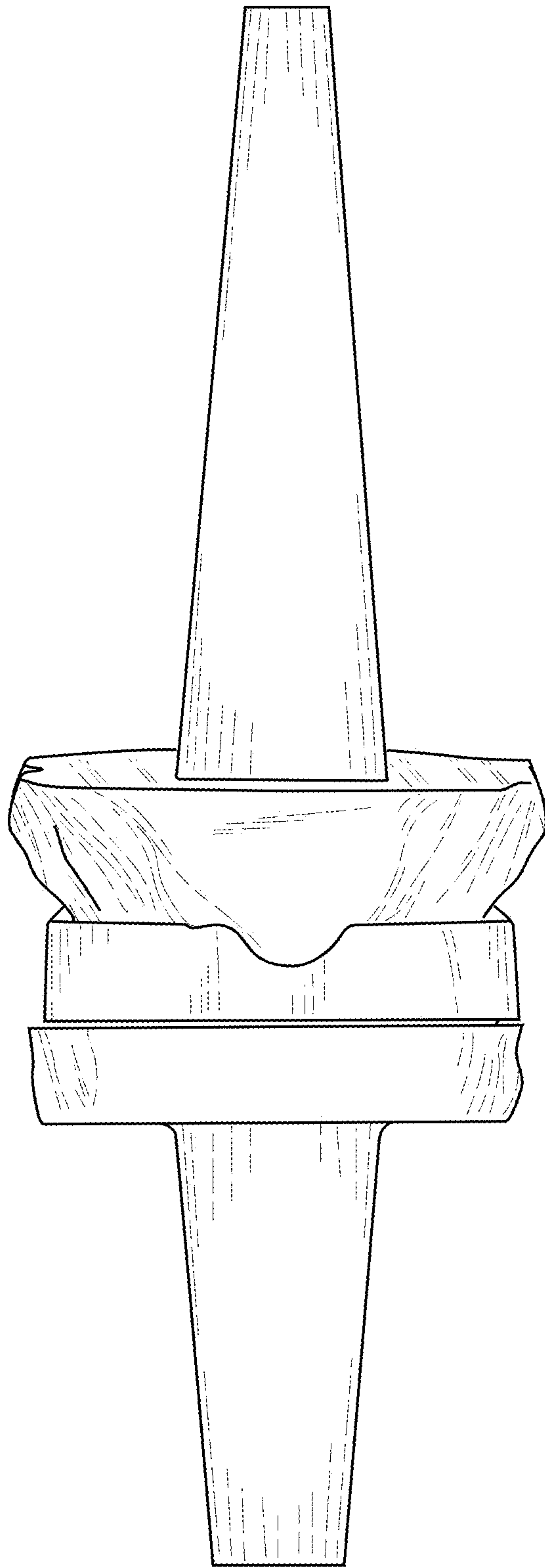


FIG. 6

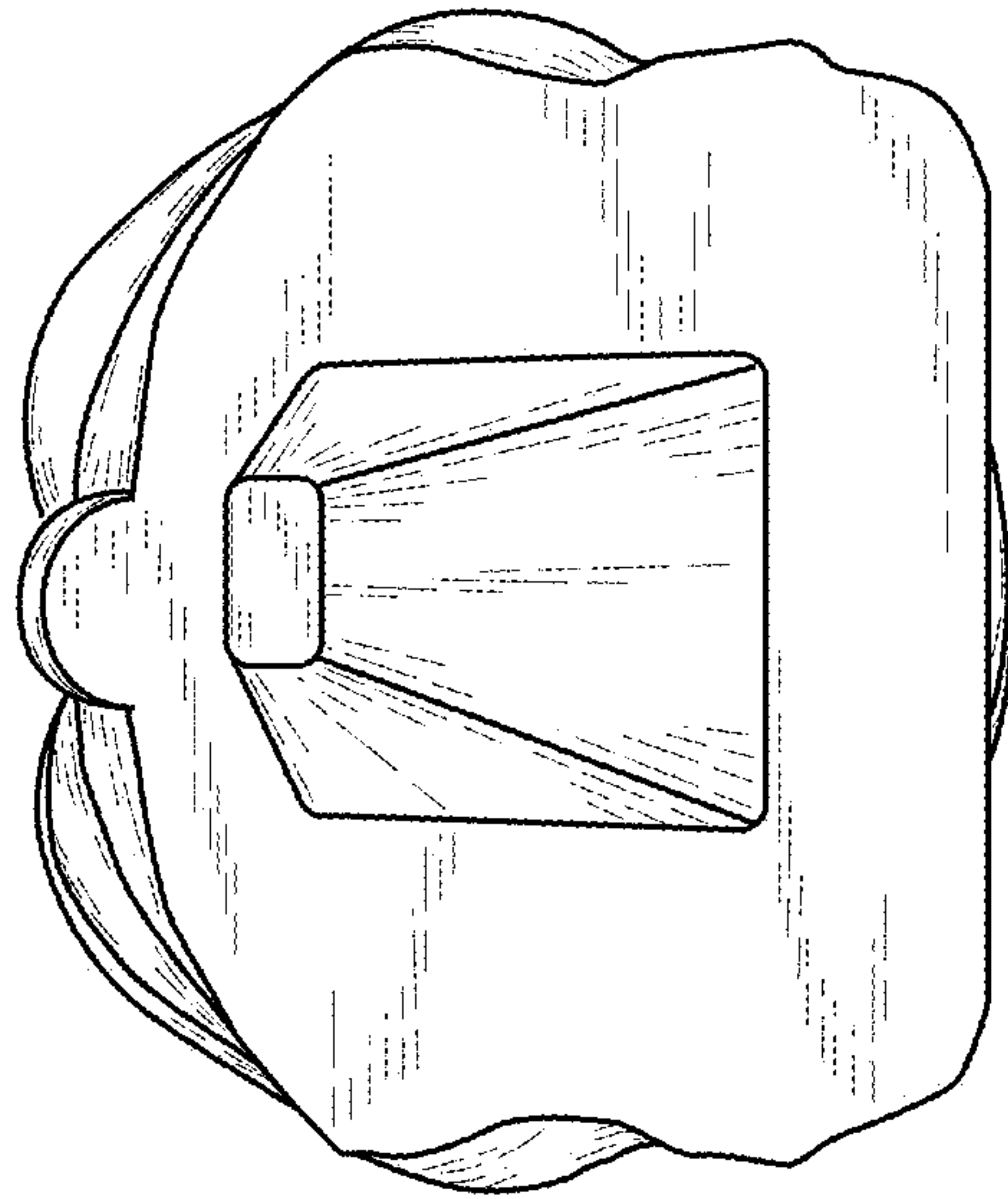


FIG. 7



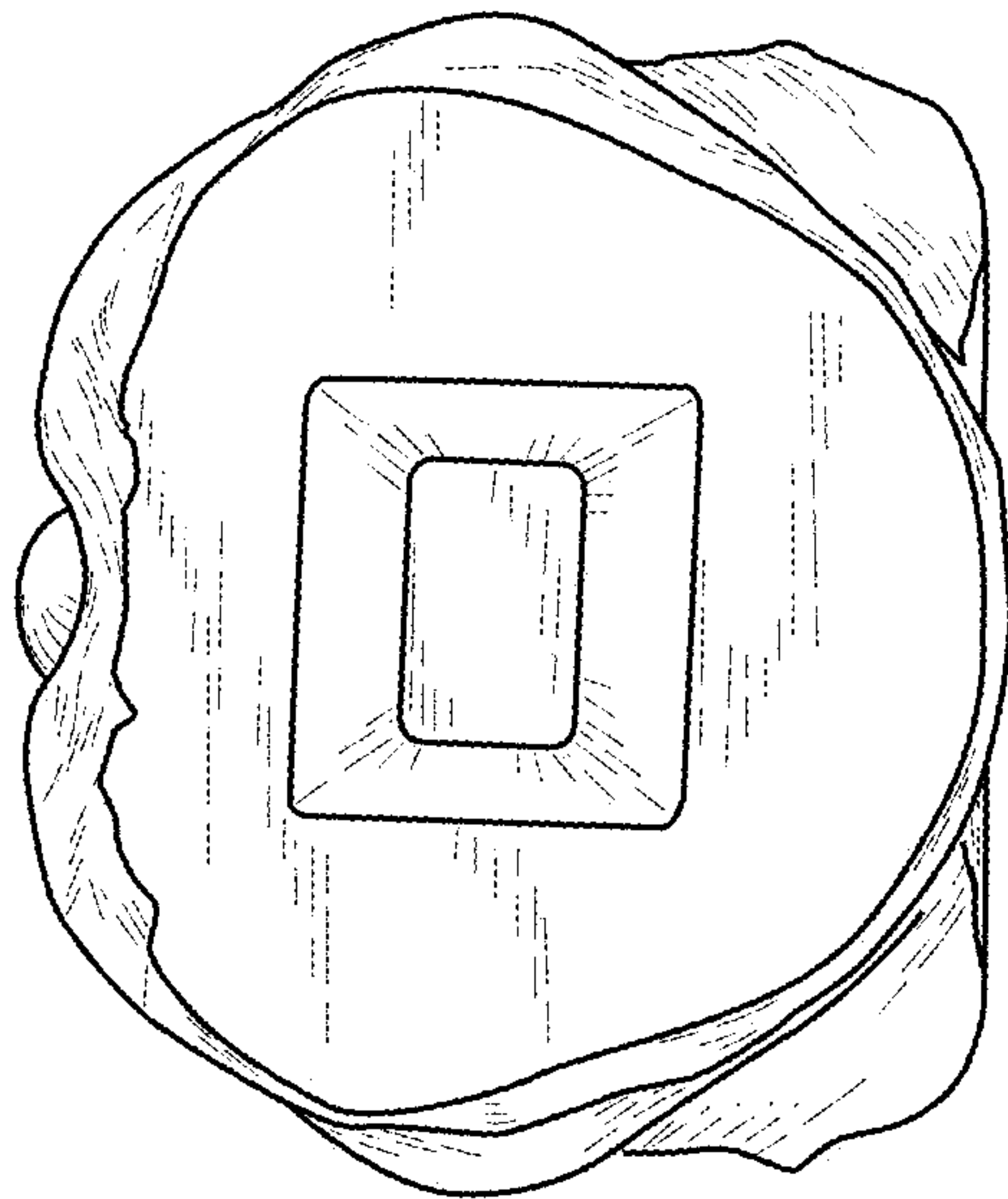


FIG. 8

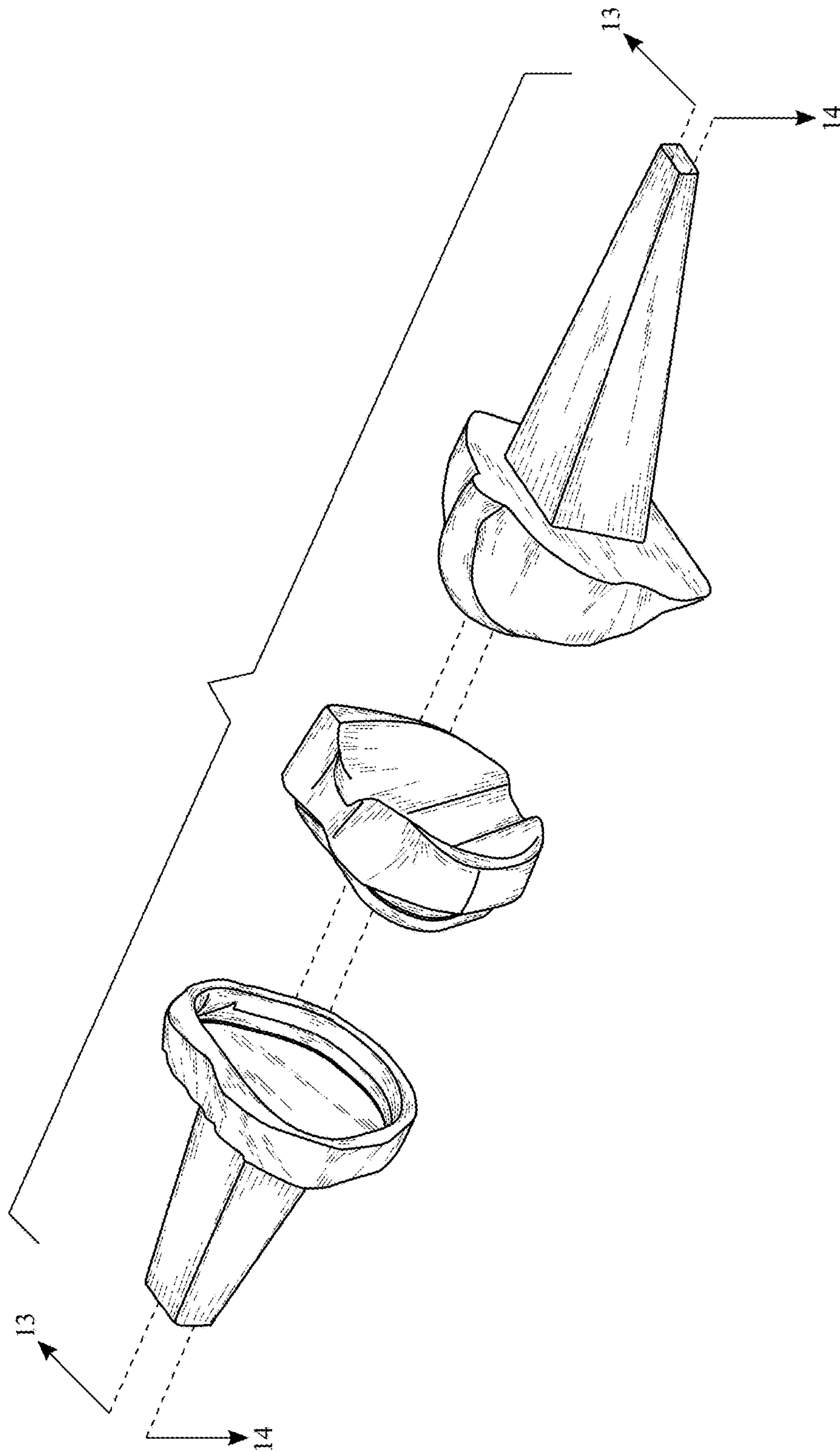


FIG. 9

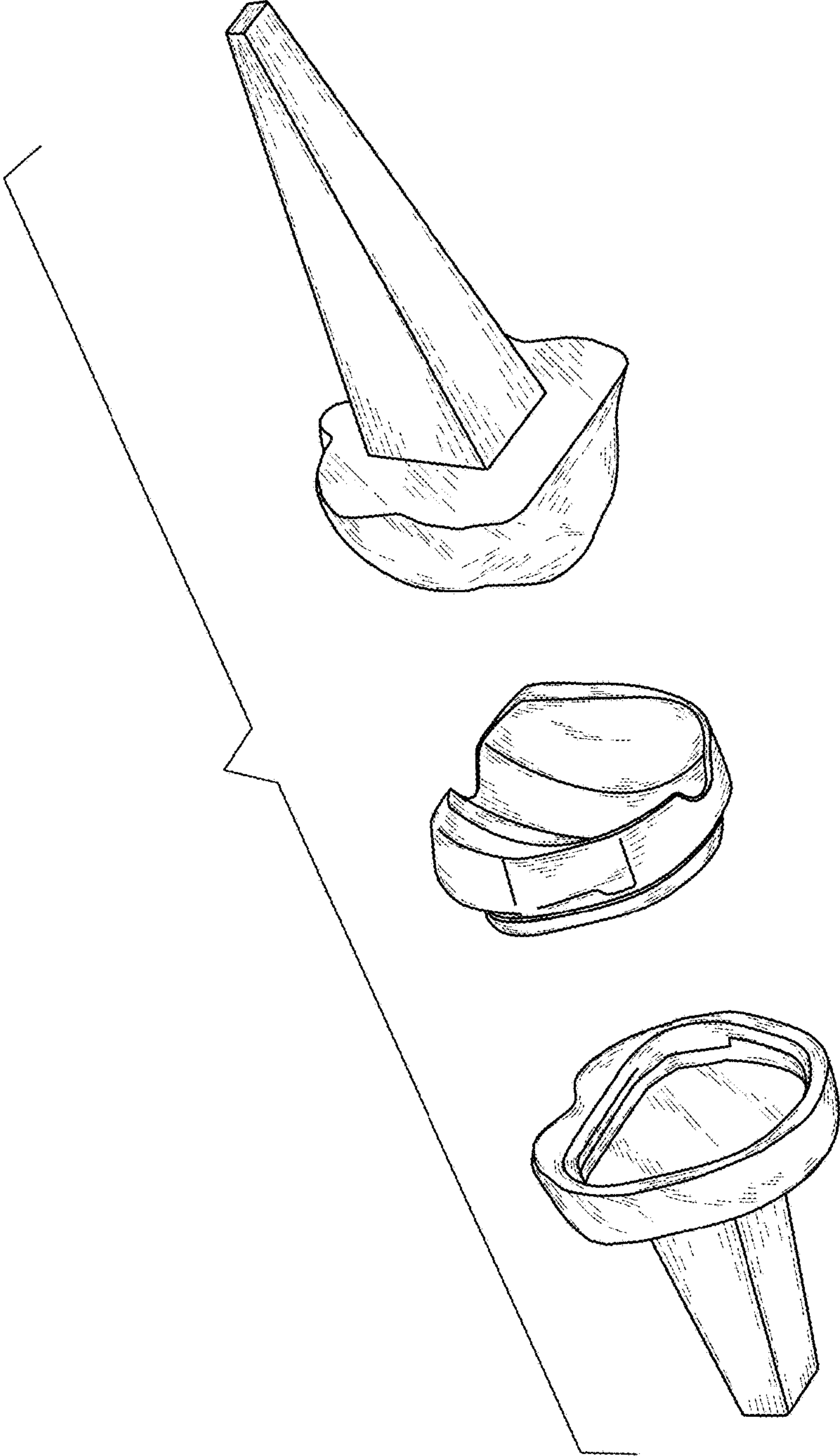


FIG. 10

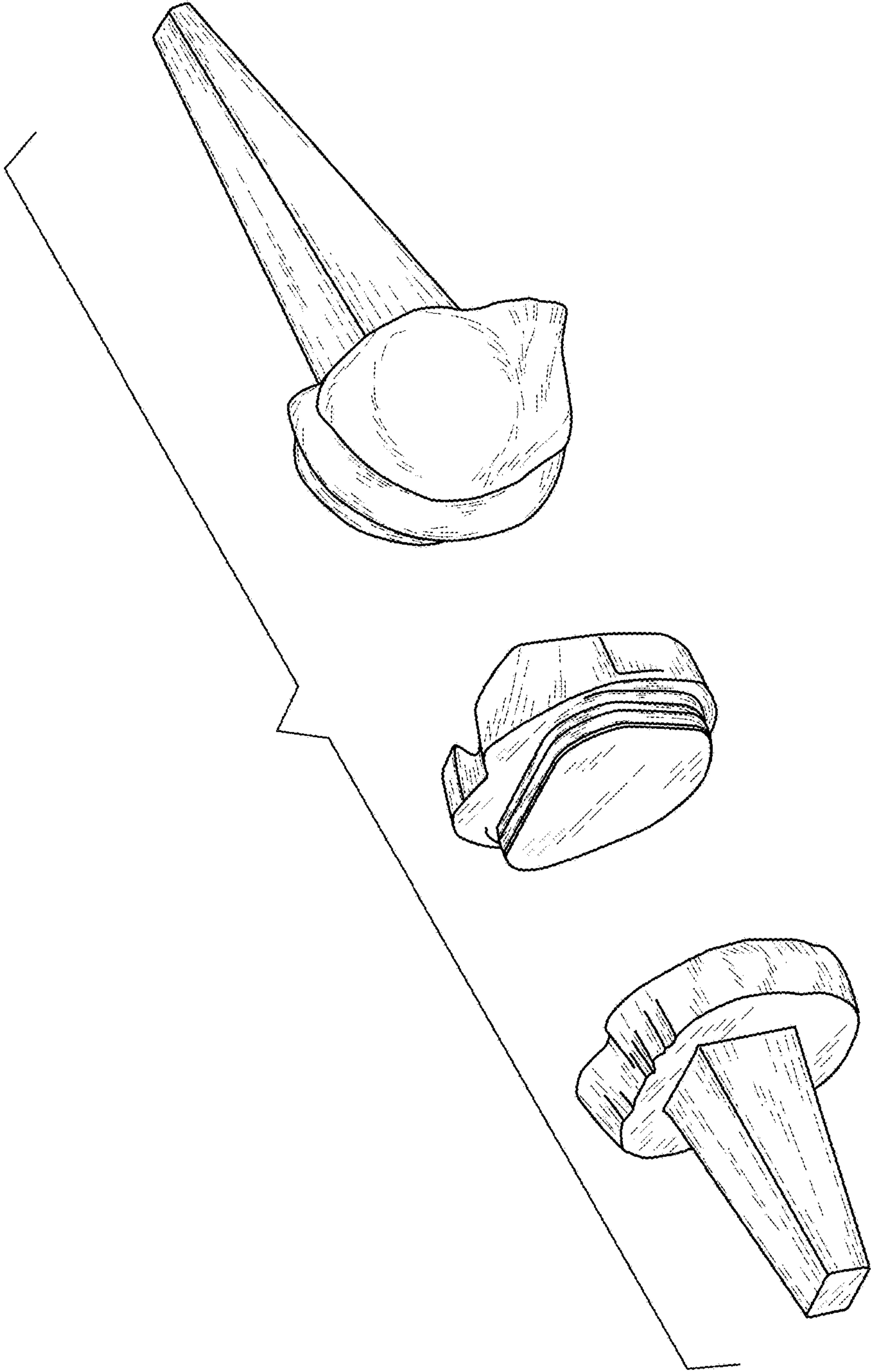


FIG. 11

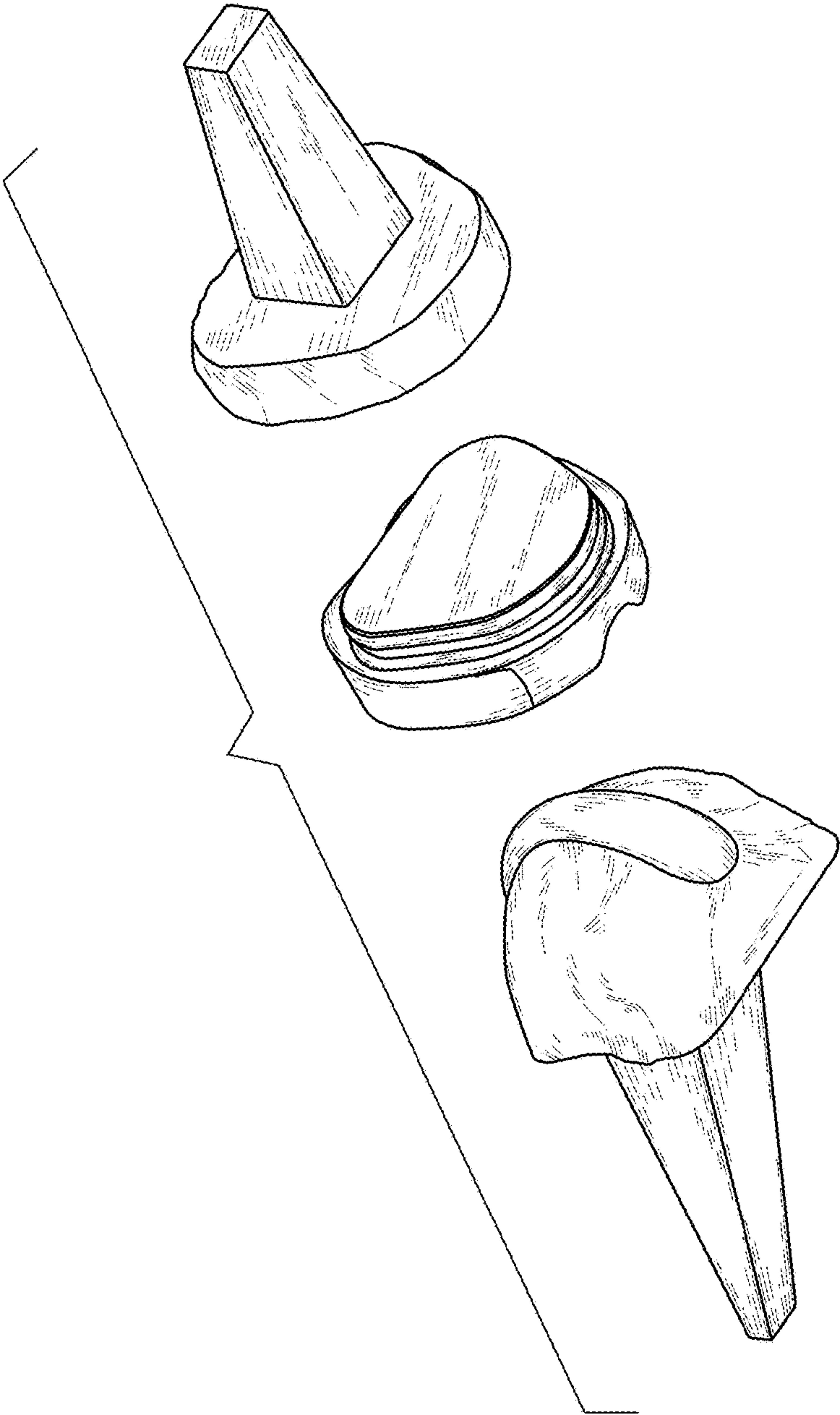


FIG. 12

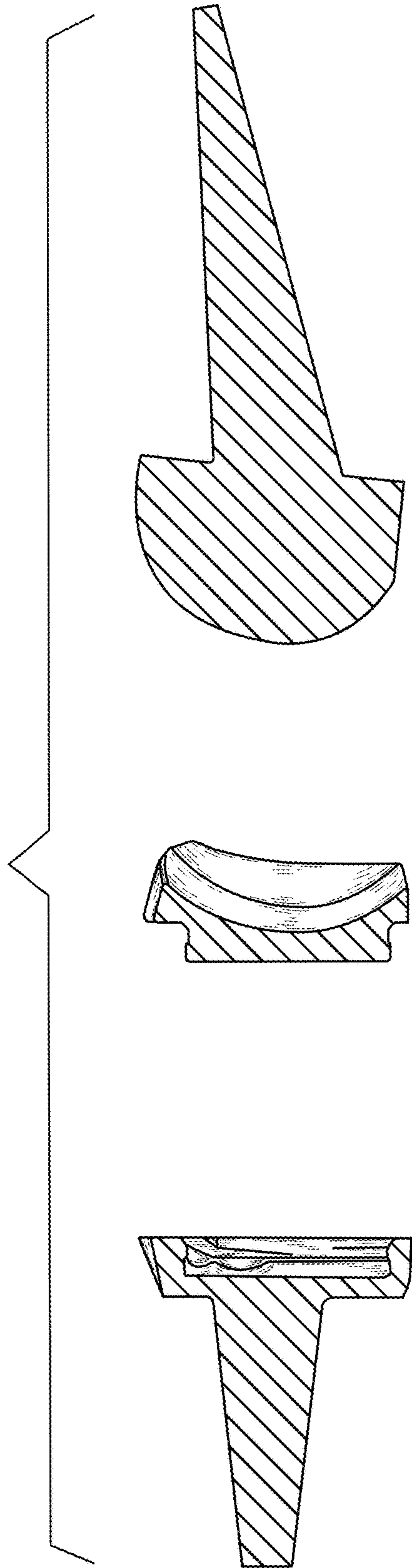


FIG. 13



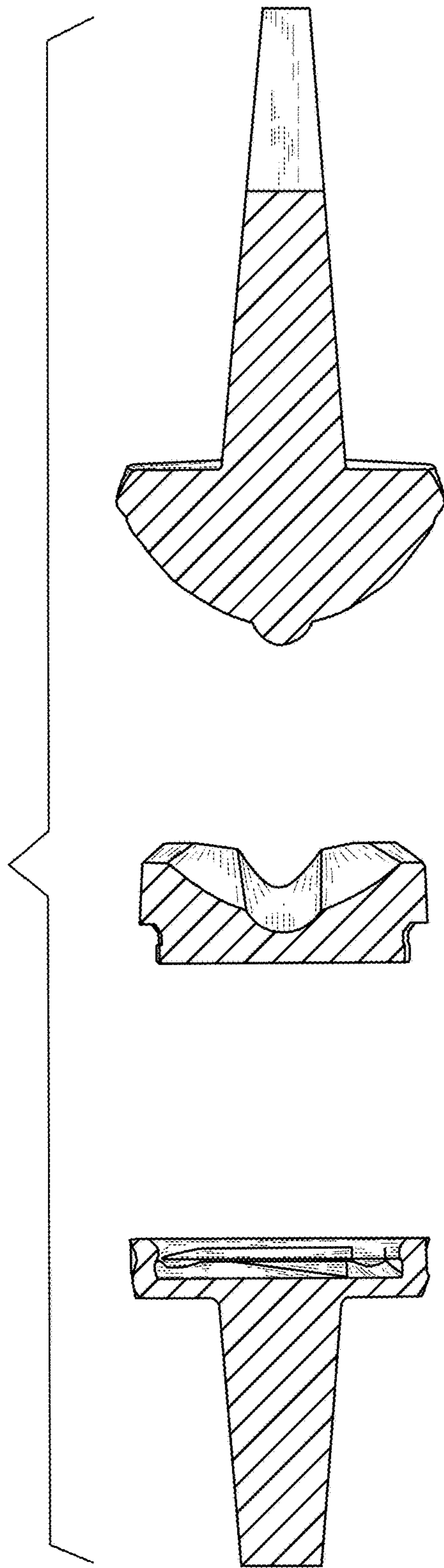


FIG. 14