



US00D819818S

(12) **United States Design Patent**
Rosenberg et al.

(10) **Patent No.:** **US D819,818 S**
(45) **Date of Patent:** **** Jun. 5, 2018**

(54) **ORAL APPLIANCE**

(71) Applicants: **Audrey Rosenberg**, Westport, CT (US);
Jack Rosenberg, Westport, CT (US)

(72) Inventors: **Audrey Rosenberg**, Westport, CT (US);
Jack Rosenberg, Westport, CT (US)

(**) Term: **15 Years**

(21) Appl. No.: **29/583,737**

(22) Filed: **Nov. 8, 2016**

Related U.S. Application Data

(63) Continuation-in-part of application No. 14/485,776,
filed on Sep. 14, 2014, now Pat. No. 9,486,061, which
is a continuation-in-part of application No.
13/831,356, filed on Mar. 14, 2013, now abandoned.

(51) **LOC (11) Cl.** **24-02**

(52) **U.S. Cl.**
USPC **D24/152**; D24/181

(58) **Field of Classification Search**
USPC D24/152, 156, 176, 180-182; D29/108
CPC A61C 17/0202; A61C 17/0211; A61C
17/036; A61C 17/66; A61C 17/22; A61C
17/222; A61C 17/228; A46B 9/045; A46B
9/005

See application file for complete search history.

(56) **References Cited**

U.S. PATENT DOCUMENTS

4,106,501	A *	8/1978	Ozbey	A61C 17/0211 433/80
5,104,315	A *	4/1992	McKinley	A61C 17/0211 433/80
D554,260	S *	10/2007	Diacopoulos	D24/181
8,684,956	B2 *	4/2014	McDonough et al.	A61C 17/0211 601/164

(Continued)

Primary Examiner — Wan Laymon

(74) *Attorney, Agent, or Firm* — Ziegler IP Law Group,
LLC

(57) **CLAIM**

The ornamental design for an oral appliance, as shown and
described.

DESCRIPTION

FIG. 1 is a left side perspective view of an embodiment for
an oral appliance, the right side view being the same. The
shapes are channels extending through the respective walls;
FIG. 2 is a front view of the appliance shown in FIG. 1.

FIG. 3 is a reduced top view of the appliance shown in FIG.
1, the bottom view being the same;

FIG. 4 is a back view of the appliance shown in FIG. 1;

FIG. 5 is a side perspective view of another embodiment of
the appliance shown in FIG. 1 where the channels have a
different ornamental shape; and,

FIG. 6 is a front view of another embodiment of the
appliance shown in FIG. 1 where the channels are in the
shape of flowers.

The “heart” shapes in FIGS. 1, 2 and 4 are channels that
extend through the sidewalls of the appliance.

The oval in FIG. 2 is a channel that extends through the front
wall portion of the appliance.

The “ovals” in FIG. 3 are channels that extend through
midwall portion of the appliance.

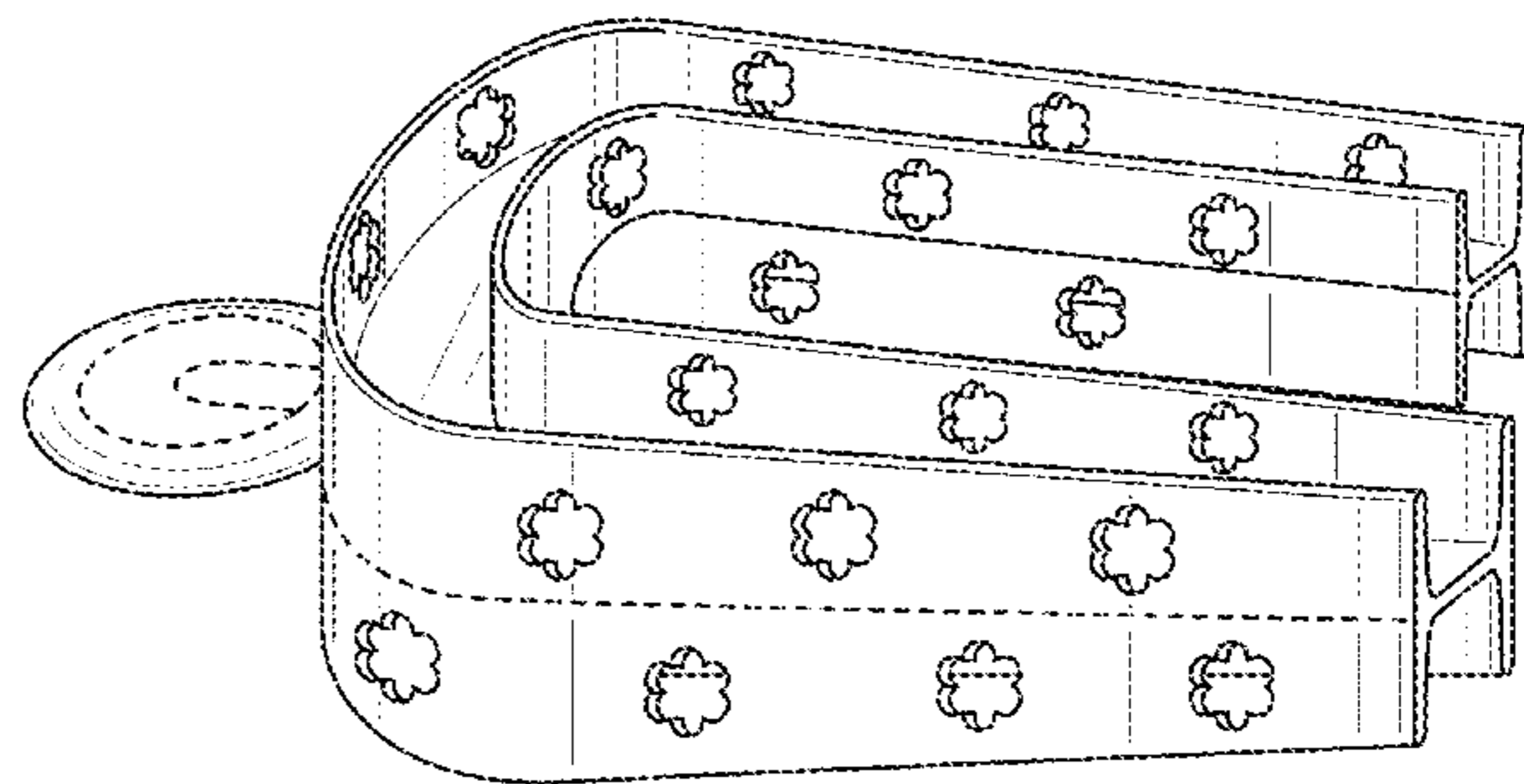
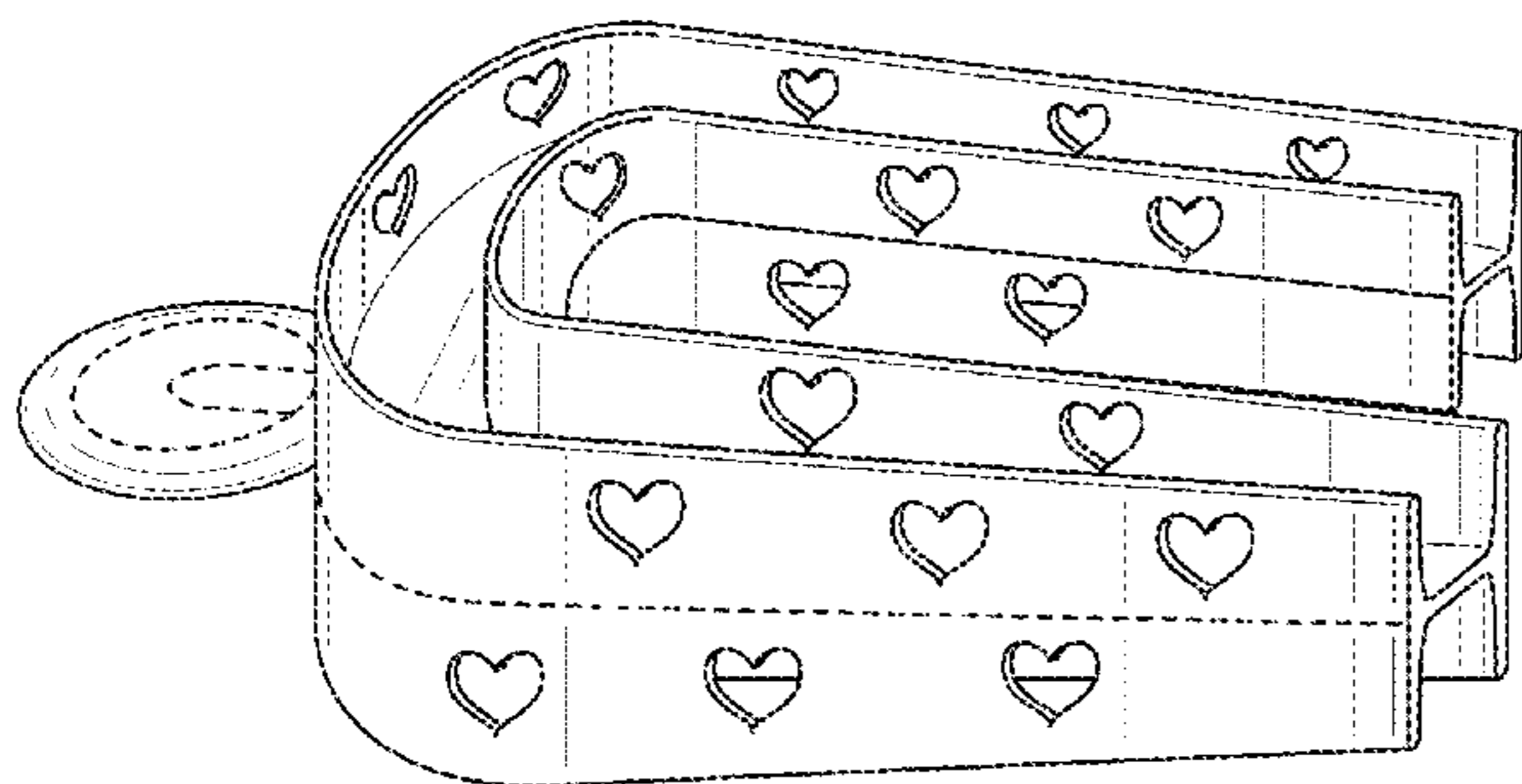
The hearts and ovals in FIG. 4 are channels that extend
through the respective walls of the appliance.

The shapes in FIGS. 5 and 6 are channels that extend
through the respective walls of the appliance.

The oval in FIG. 6 is a channel that extends through the wall
portion.

The broken lines shown in the figures are included for the
purpose of illustrating portions of the oral appliance that
form no part of the claimed design.

1 Claim, 3 Drawing Sheets



(56)

References Cited

U.S. PATENT DOCUMENTS

D764,061 S * 8/2016 Furdui-Carr D24/181
9,526,597 B2 * 12/2016 Steur A61C 17/222
2007/0184404 A1 * 9/2007 Johnki A61C 17/0211
433/80
2017/0056144 A1 * 3/2017 Levy et al. A61C 17/0211

* cited by examiner

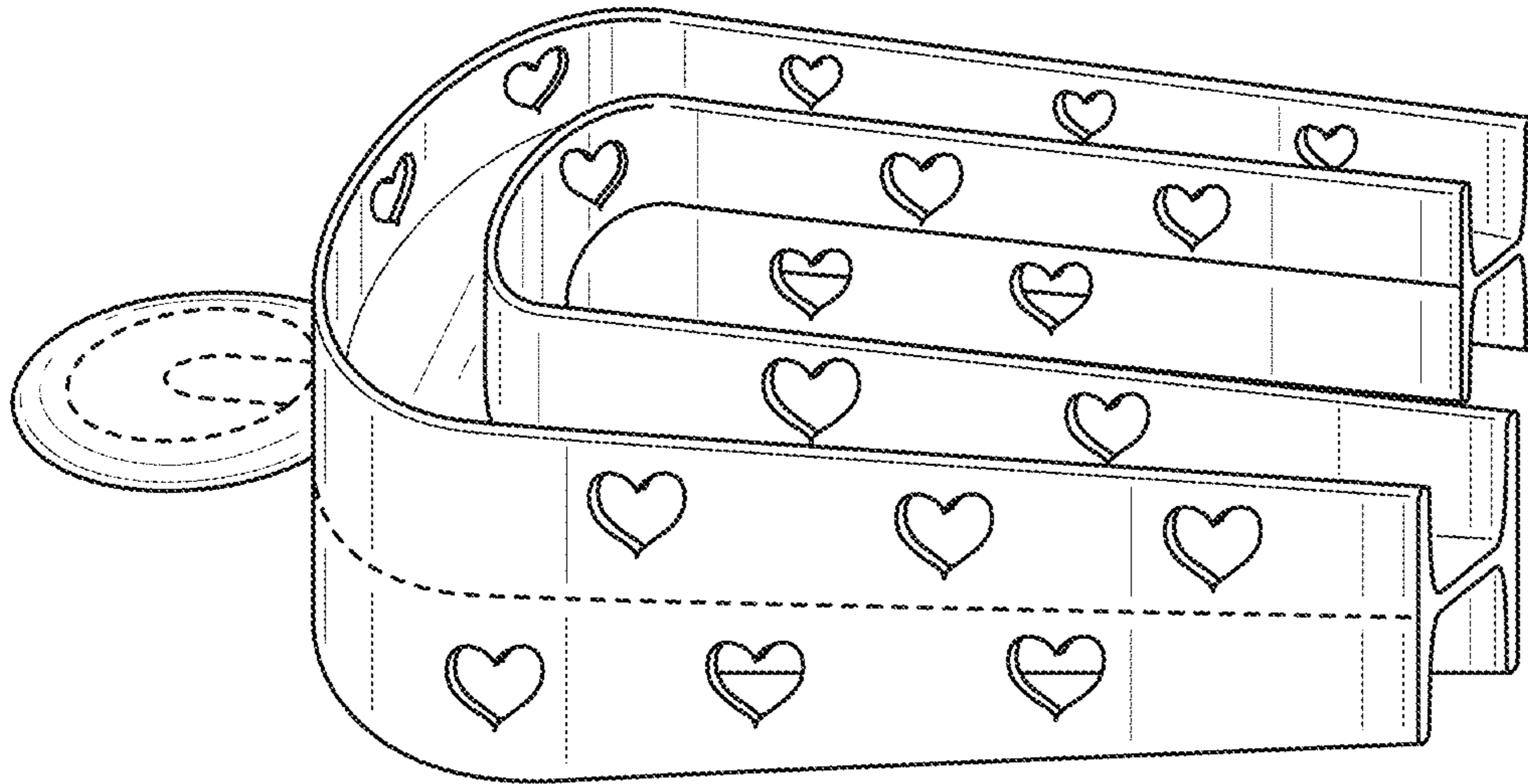


FIG. 1

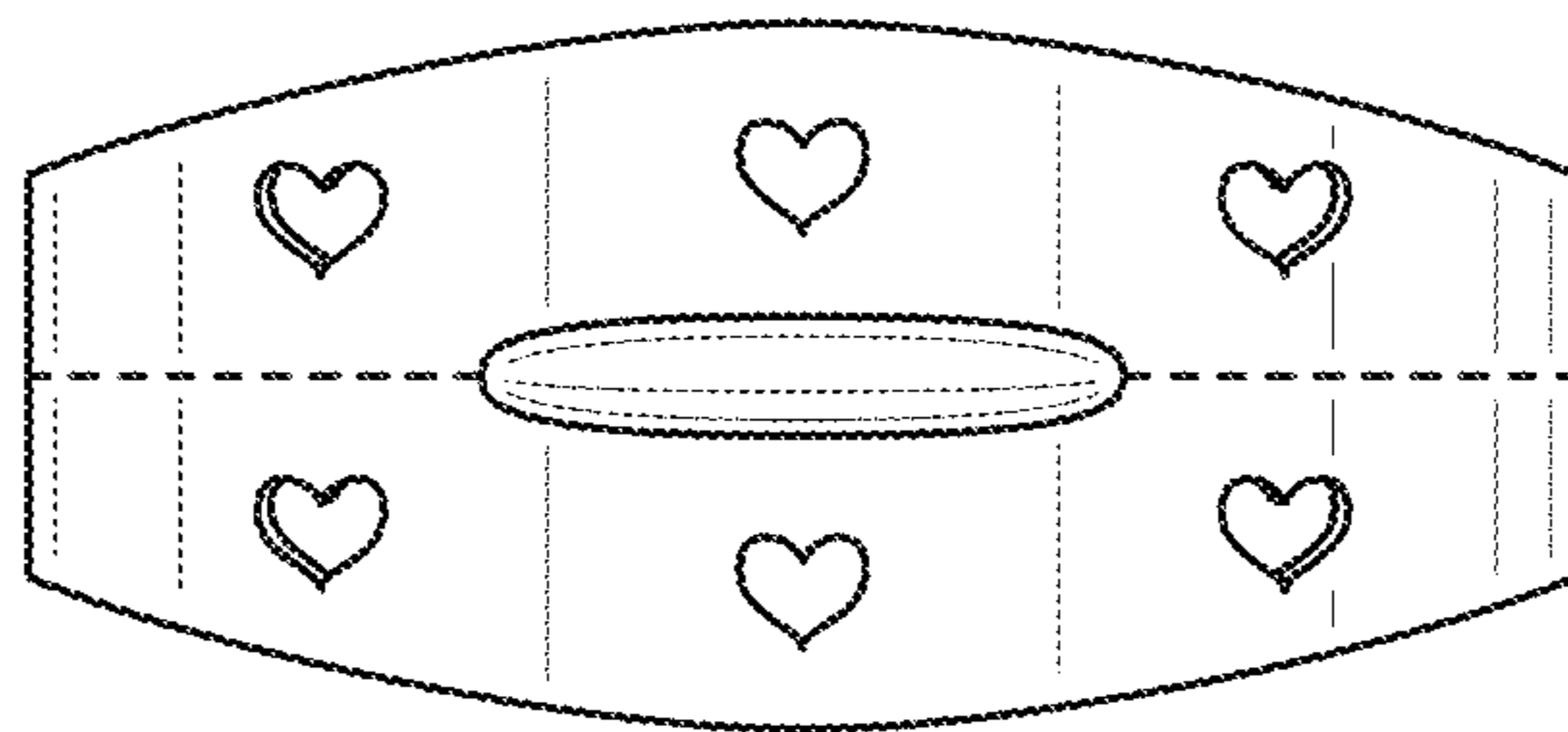


FIG. 2

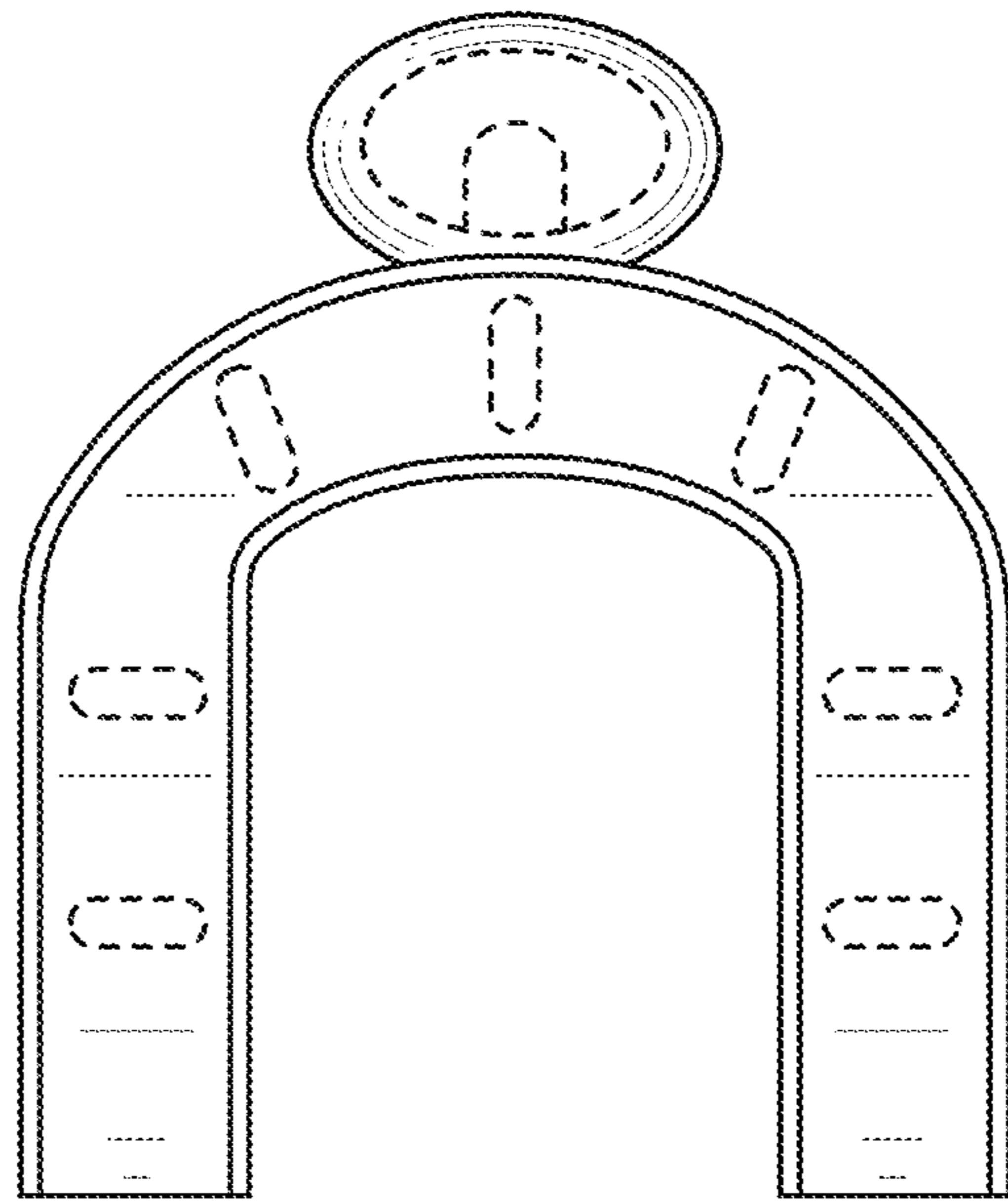


FIG. 3

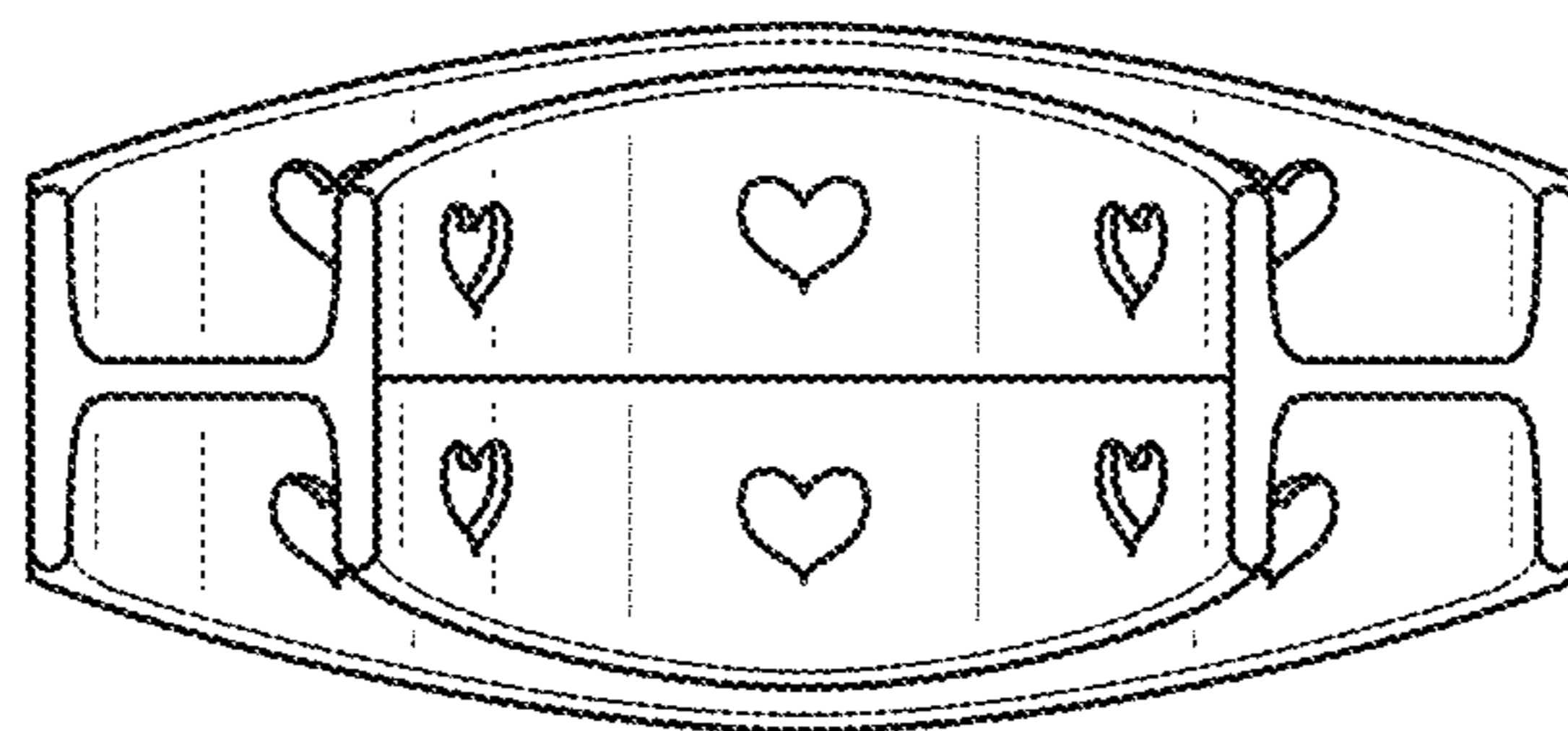


FIG. 4

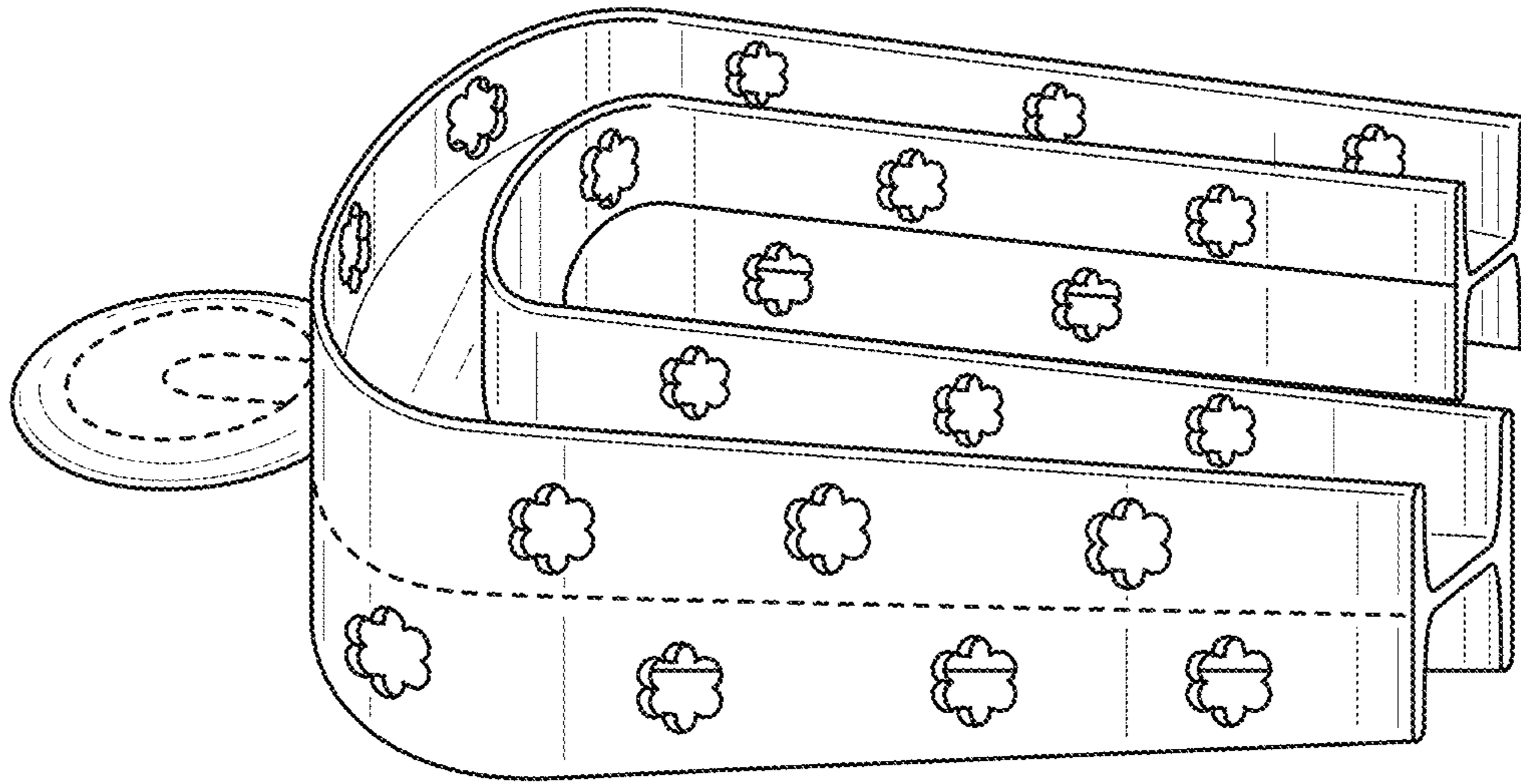


FIG. 5

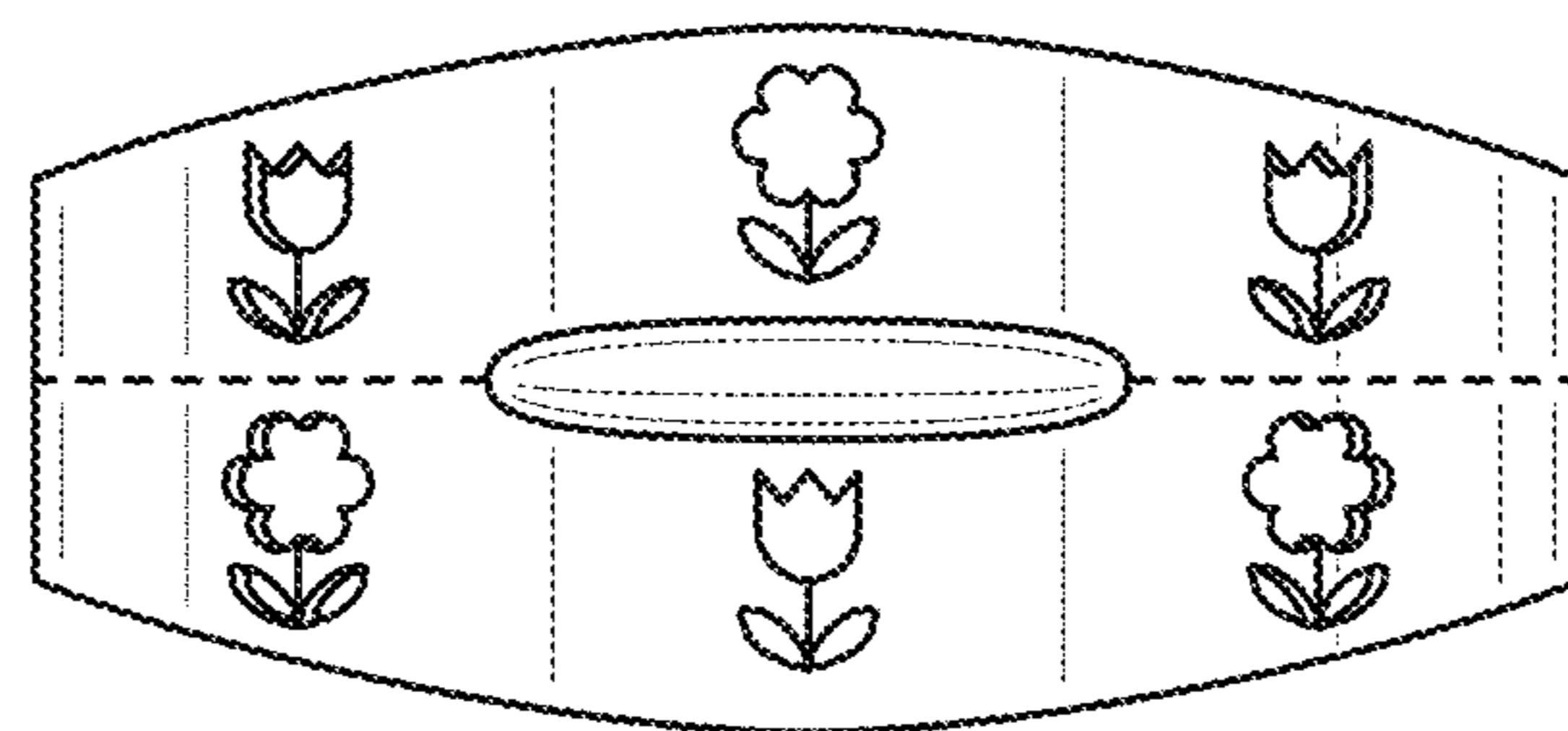


FIG. 6