



US00D819817S

(12) **United States Design Patent**
Weston et al.

(10) **Patent No.:** **US D819,817 S**
(45) **Date of Patent:** **** Jun. 5, 2018**

- (54) **CORNEAL TREPHINE**
- (71) Applicant: **Coronet Medical Technologies Limited**, Ripon (GB)
- (72) Inventors: **Ian Douglas Weston**, Ripon (GB);
Philip Douglas Weston, Ripon (GB)
- (73) Assignee: **Coronet Medical Technologies Limited**, Ripon, North Yorkshire (GB)
- (**) Term: **15 Years**
- (21) Appl. No.: **29/549,115**
- (22) Filed: **Dec. 18, 2015**
- (30) **Foreign Application Priority Data**
 - Jun. 18, 2015 (EP) 002721415-0001
 - Jun. 18, 2015 (EP) 002721415-0002
 - Jun. 18, 2015 (EP) 002721415-0003
- (51) **LOC (11) Cl.** **24-02**
- (52) **U.S. Cl.**
USPC **D24/146; D24/133**
- (58) **Field of Classification Search**
USPC D24/140, 231, 133, 146, 150
CPC A61F 9/013; A61F 9/0133; A61F 9/007;
A61F 2/0805; A61B 17/32053; A61B 17/1635; A61B 17/1637; A61B 17/1675;
A61B 17/8897
See application file for complete search history.

- (56) **References Cited**
U.S. PATENT DOCUMENTS
 - 2,473,968 A * 6/1949 Paton A61F 9/013
606/166
 - 4,336,805 A * 6/1982 Smirmaul A61F 9/013
606/166
 - 4,423,728 A * 1/1984 Lieberman A61F 9/013
33/27.01

- 4,763,651 A * 8/1988 Kaufman A61F 9/013
606/166
- D338,270 S * 8/1993 Stephens D24/140
- D679,394 S * 4/2013 Gleixner D24/133
- 2010/0152754 A1 * 6/2010 Weston A61F 9/013
606/166
- 2016/0067096 A1 * 3/2016 Weston A61F 9/013
606/166

OTHER PUBLICATIONS

High Quality Corneal Trephines, announced Oct. 3, 2016 [online], [site visited Oct. 24, 2016]. Available from internet, URL: <<http://coronetmedical.com/>>.*

(Continued)

Primary Examiner — Keli L Hill
Assistant Examiner — Karra S Johnson
(74) *Attorney, Agent, or Firm* — Shumaker & Sieffert, P.A.

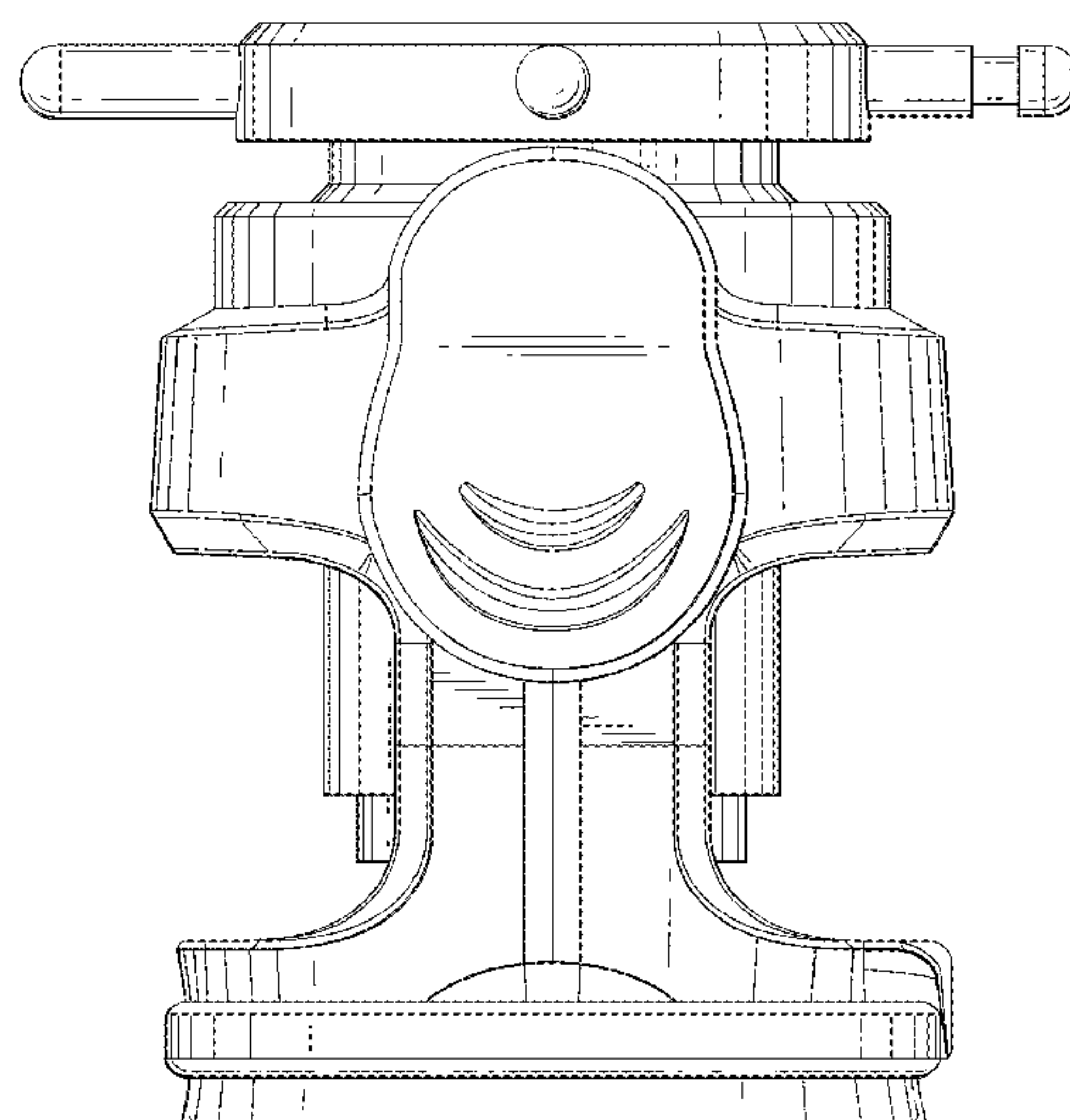
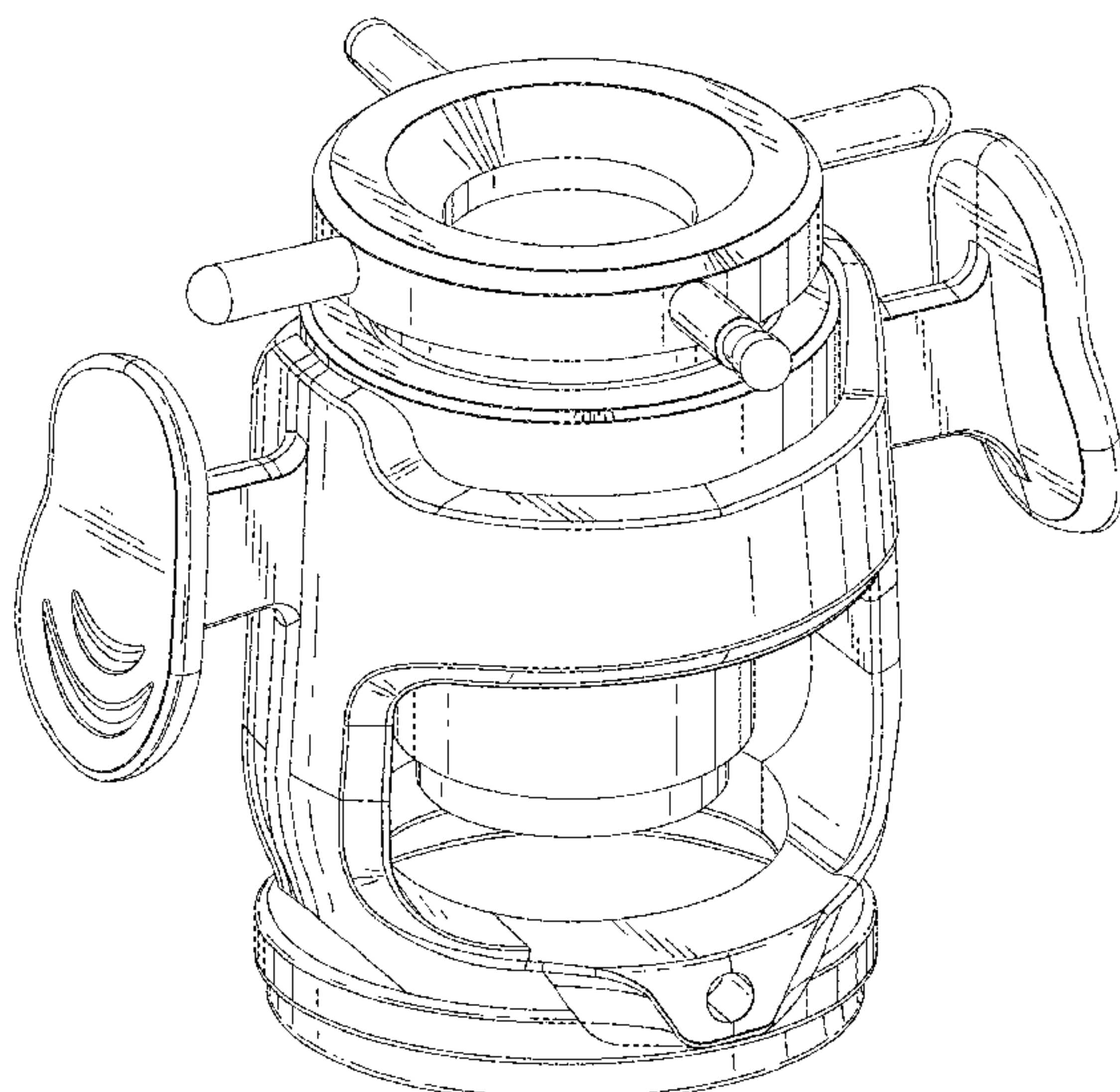
(57) **CLAIM**

The ornamental design for a corneal trephine, as shown and described.

DESCRIPTION

FIG. 1 is a perspective view of an embodiment of the corneal trephine.
FIG. 2 is a side view of an embodiment of the corneal trephine.
FIG. 3 is a top view of an embodiment of the corneal trephine.
FIG. 4 is a front view of an embodiment of the corneal trephine.
FIG. 5 is a side view of an embodiment of the corneal trephine.
FIG. 6 is a bottom view of an embodiment of the corneal trephine; and,
FIG. 7 is a rear view of an embodiment of the corneal trephine.

1 Claim, 7 Drawing Sheets



(56)

References Cited

OTHER PUBLICATIONS

Recipient Vacuum Trephine, announced Aug. 1, 2015 [online], [site visited Oct. 24, 2016]. Available from internet, URL: <<http://coronetmedical.com/>>.*

Vacuum Corneal Trephine, announced Oct. 23, 2014 [online], [site visited Oct. 24, 2016]. Available from internet, URL: <<https://www.jedmed.com/products/trephine-punches>>.*

Vacuum Trephines, announced May 30, 2016 [online], [site visited Oct. 24, 2016]. Available from internet, URL: <<http://www.odakmed.com/index.php?lang=eng&page=13&prodCatID=95&prodID=212>>.*

* cited by examiner

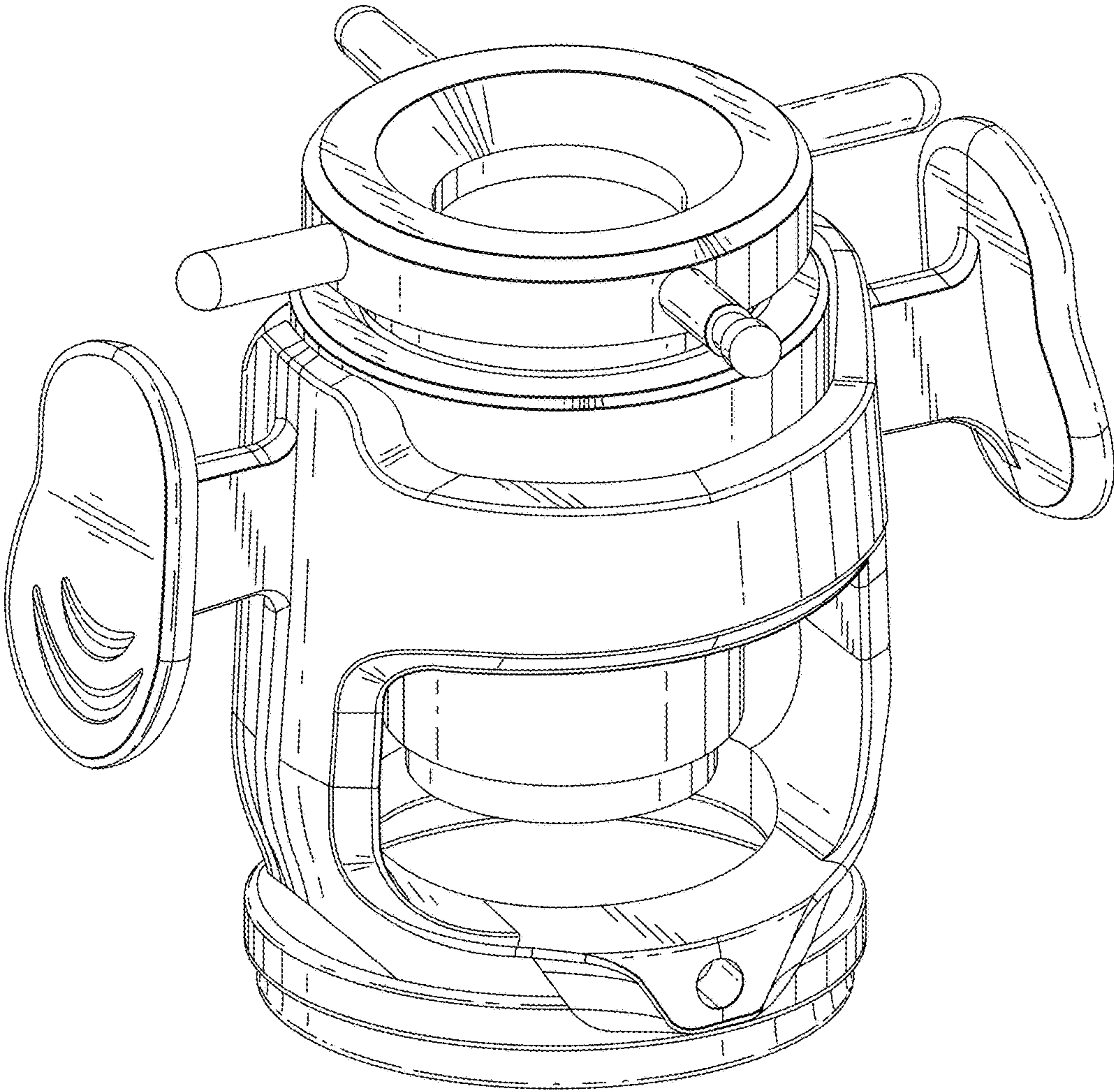


FIG. 1

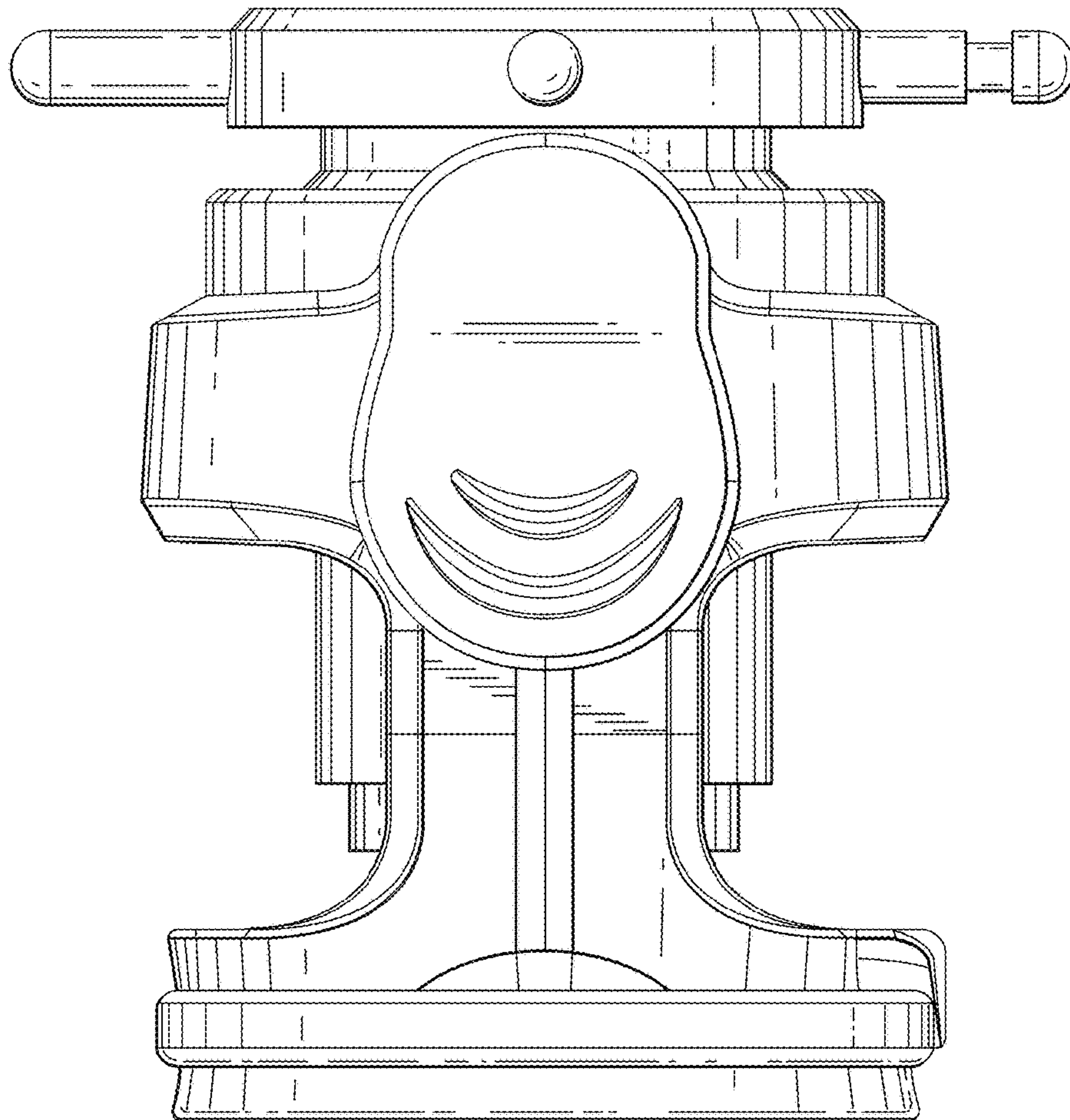


FIG. 2

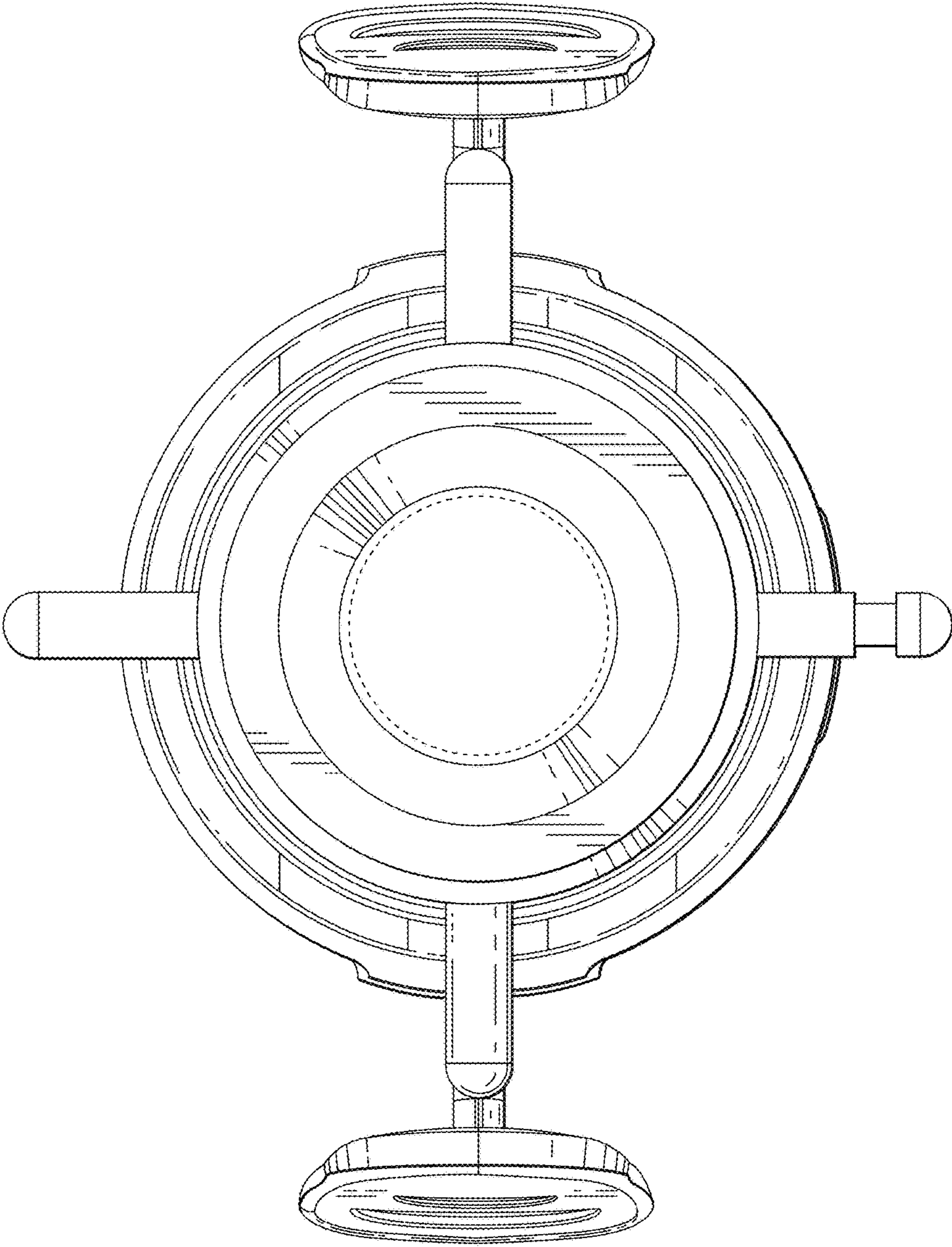


FIG. 3

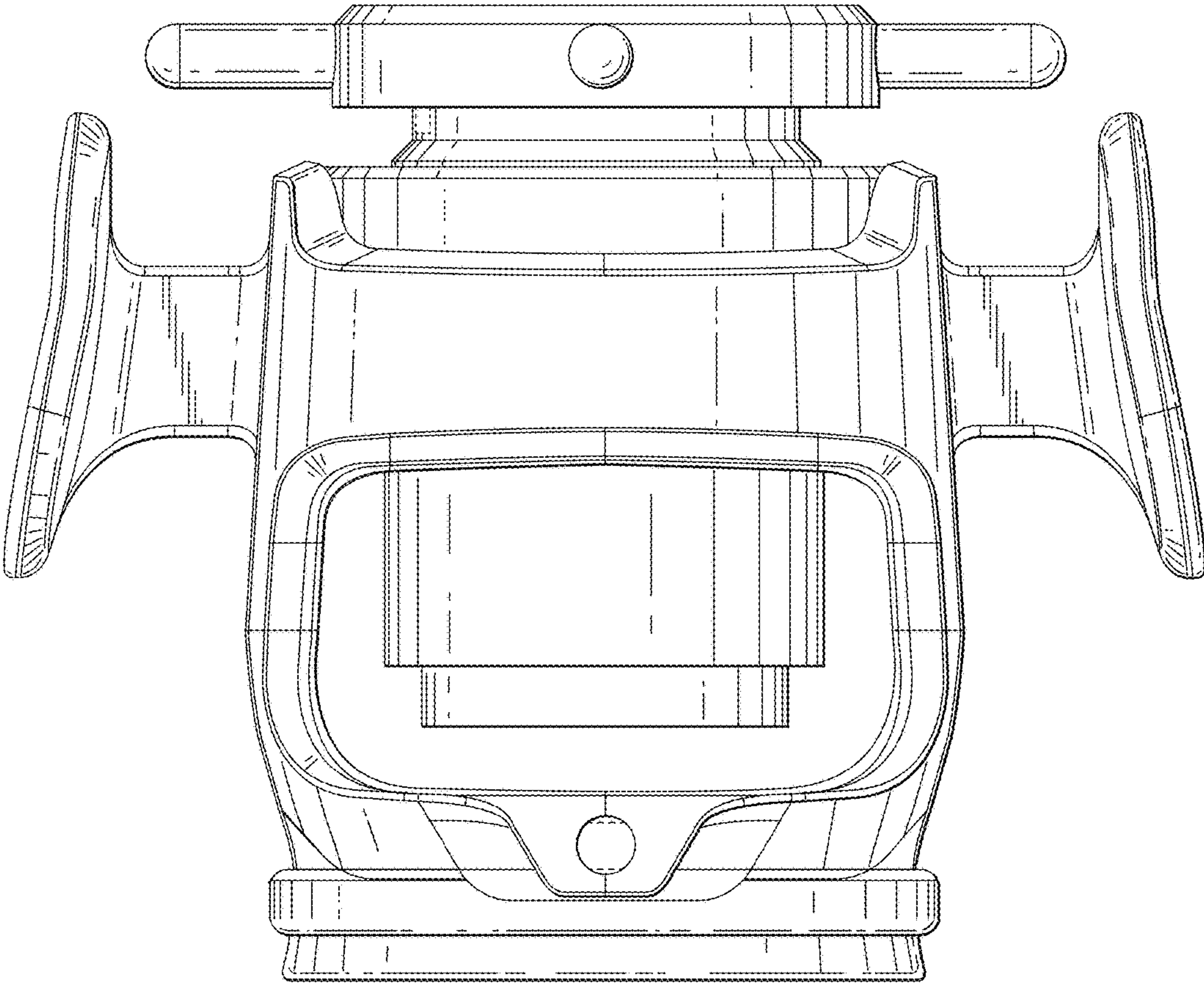


FIG. 4

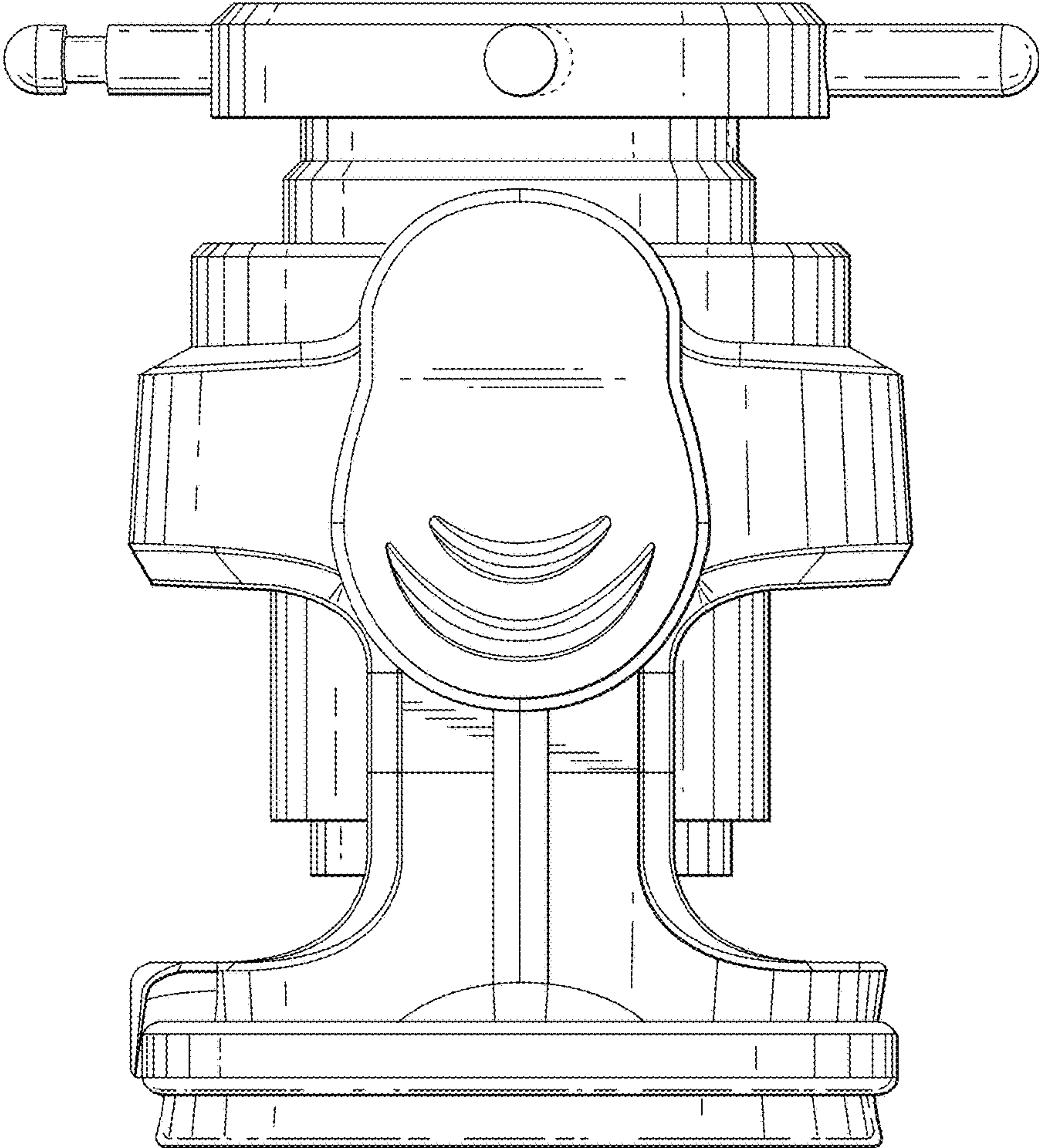


FIG. 5

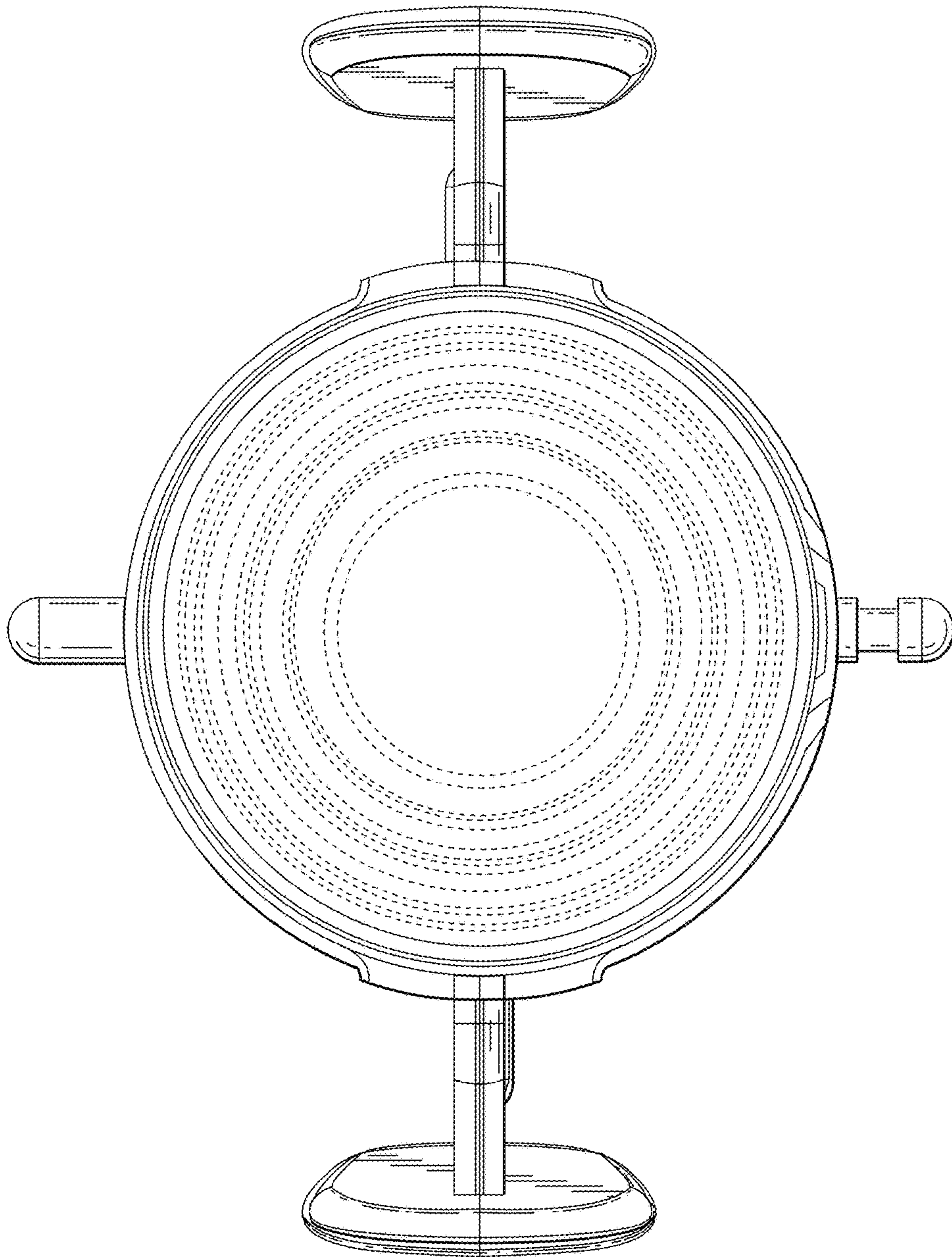


FIG. 6

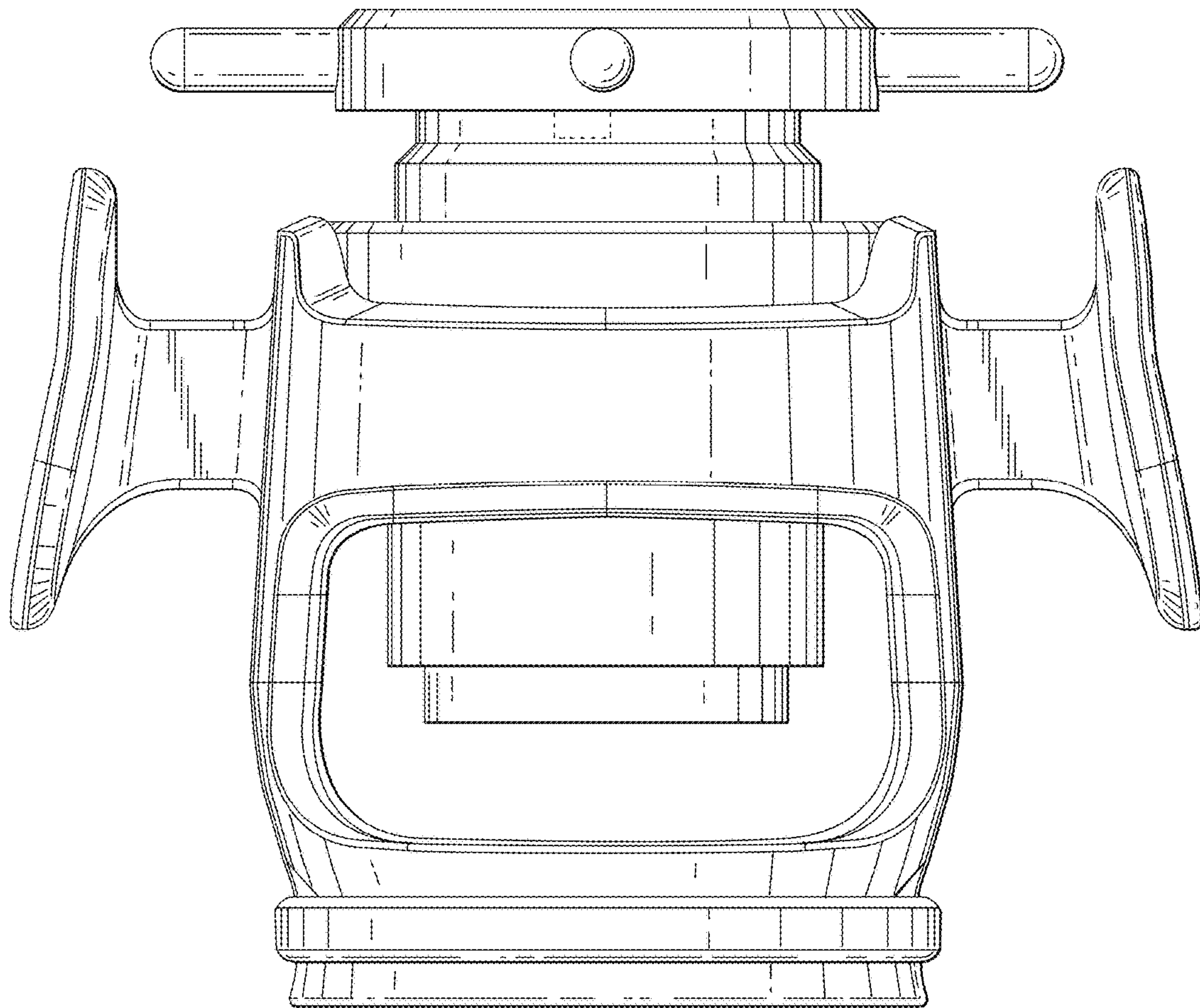


FIG. 7