



US00D819812S

(12) **United States Design Patent** (10) **Patent No.:** **US D819,812 S**
Schaer et al. (45) **Date of Patent:** **** *Jun. 5, 2018**

(54) **SACROCOLPOPEXY MANIPULATOR**

(71) Applicants: **KARL STORZ GmbH & Co. KG**,
Tuttlingen (DE); **Kantonsspital Aarau AG**,
Aarau (CH)

(72) Inventors: **Gabriel Schaer**, Aarau (CH);
Franziska Wirth, Tuttlingen (DE)

(73) Assignees: **Karl Storz GmbH & Co. KG**,
Tuttlingen (DE); **Kantonsspital Aarau AG**,
Aarau (CH)

(*) Notice: This patent is subject to a terminal disclaimer.

(**) Term: **15 Years**

(21) Appl. No.: **29/580,994**

(22) Filed: **Oct. 14, 2016**

(30) **Foreign Application Priority Data**

Apr. 14, 2016 (EM) 003069509-0005

(51) **LOC (11) Cl.** **24-02**

(52) **U.S. Cl.**
USPC **D24/138**

(58) **Field of Classification Search**
USPC D24/133, 137, 138, 141, 146, 149, 187;
606/119, 205
CPC A61B 17/4241; A61B 1/00066; A61B
1/00179; A61B 17/0401; A61B 17/074;
A61B 17/320068; A61B 1/0011; A61B
1/00181; A61B 17/042
See application file for complete search history.

(56) **References Cited**

U.S. PATENT DOCUMENTS

9,445,806 B2 * 9/2016 Hart A61B 17/0401
D772,412 S * 11/2016 Efinger D24/147

9,675,374 B2 * 6/2017 Stulen A61B 17/320068
D791,318 S * 7/2017 Jutila D24/141
9,763,563 B2 * 9/2017 Hoeg A61B 1/00181
2016/0278810 A1 * 9/2016 Richey A61B 17/4241
2016/0324570 A1 * 11/2016 Ehsani-Nia A61B 18/1477
2017/0202578 A1 * 7/2017 Richey A61B 17/4241
2017/0325844 A1 * 11/2017 Prior A61B 1/0676

* cited by examiner

Primary Examiner — Ian Simmons

Assistant Examiner — Yolanda Robinson

(74) *Attorney, Agent, or Firm* — Muncy, Geissler, Olds & Lowe, P.C.

(57) **CLAIM**

The ornamental design for a sacrocolpopexy manipulator, as shown and described.

DESCRIPTION

FIG. 1 is a front perspective view of a sacrocolpopexy manipulator according to the present invention.

FIG. 2 is a front view of the sacrocolpopexy manipulator of FIG. 1.

FIG. 3 is a rear view of the sacrocolpopexy manipulator of FIG. 1.

FIG. 4 is a left side view of the sacrocolpopexy manipulator of FIG. 1.

FIG. 5 is a right side view of the sacrocolpopexy manipulator of FIG. 1.

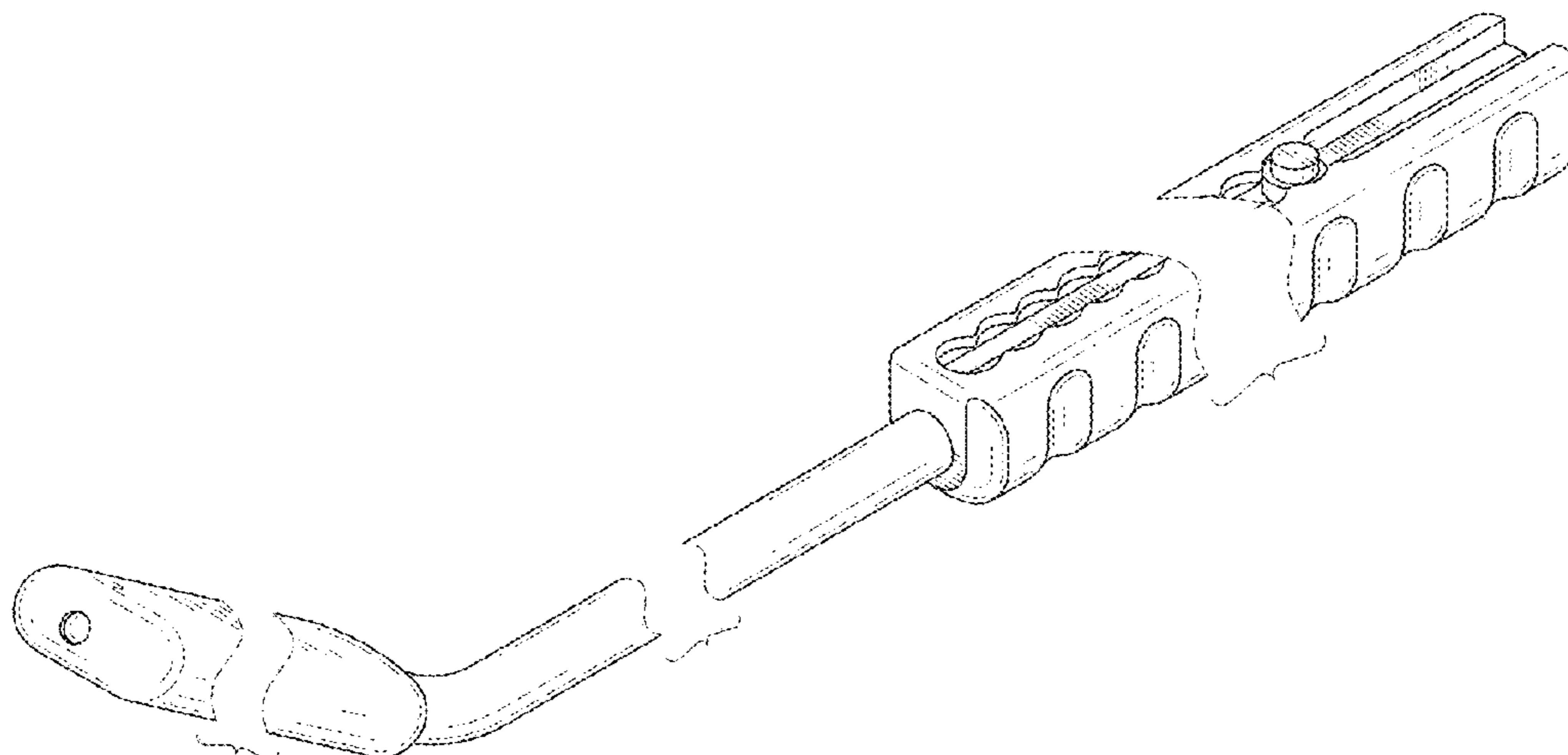
FIG. 6 is a top view of the sacrocolpopexy manipulator of FIG. 1; and,

FIG. 7 is a bottom view of the sacrocolpopexy manipulator of FIG. 1.

The sacrocolpopexy manipulator is shown with a symbolic break in its length. The appearance of an portion of the article between the break lines form no part of the claimed design.

The broken lines shown represent unclaimed subject matter and form no part of the claimed design.

1 Claim, 7 Drawing Sheets



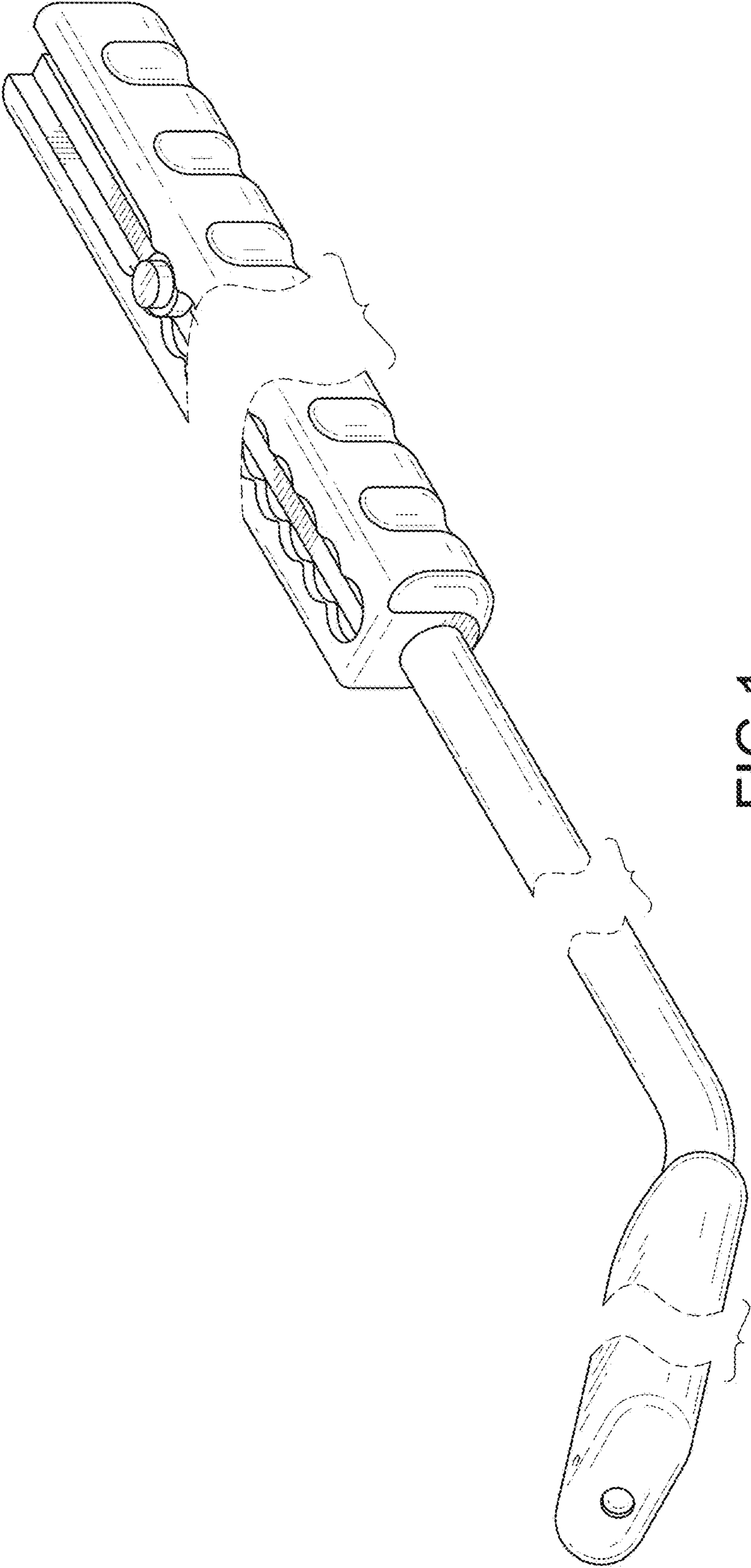


FIG. 1

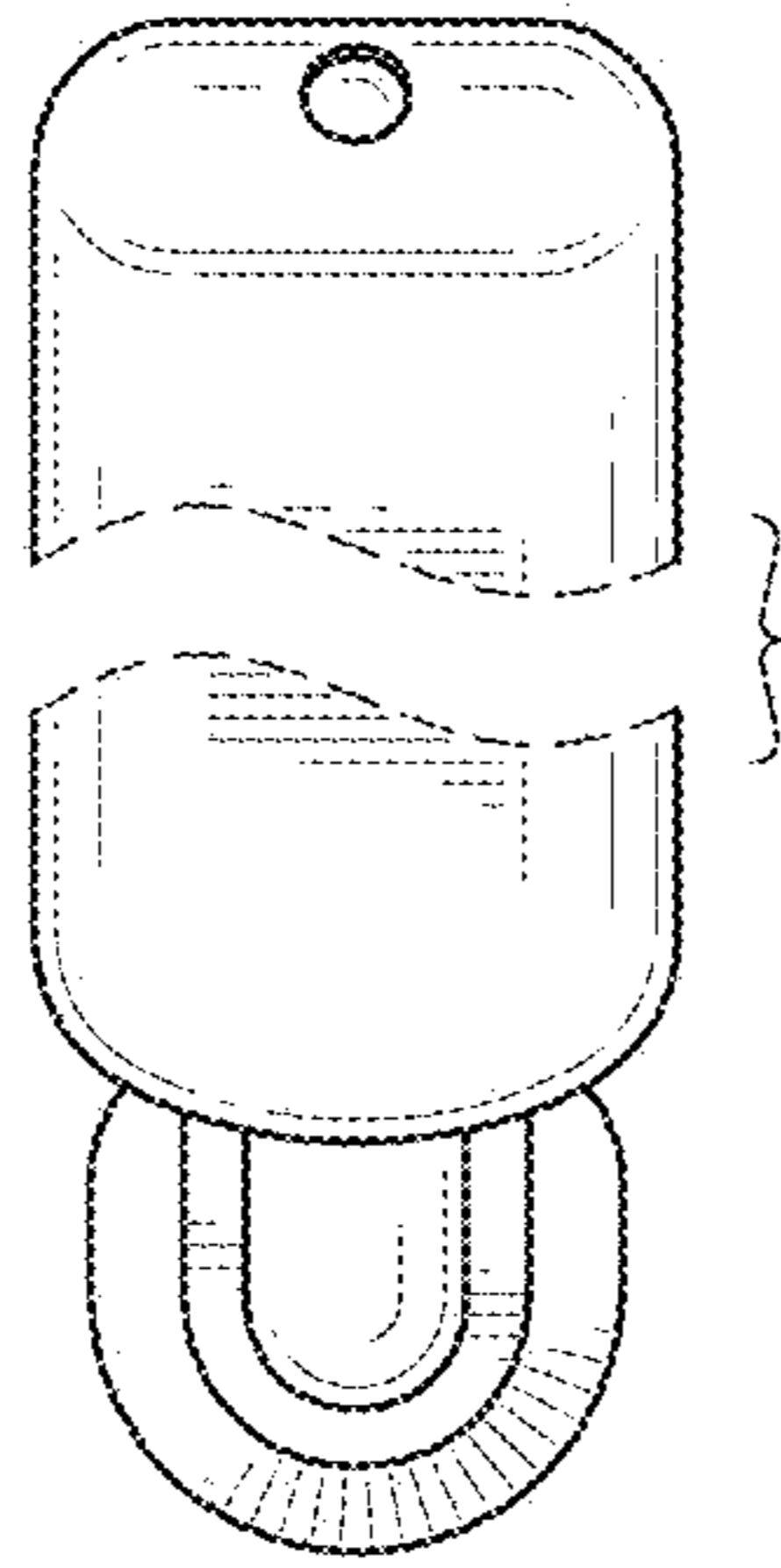


FIG.2

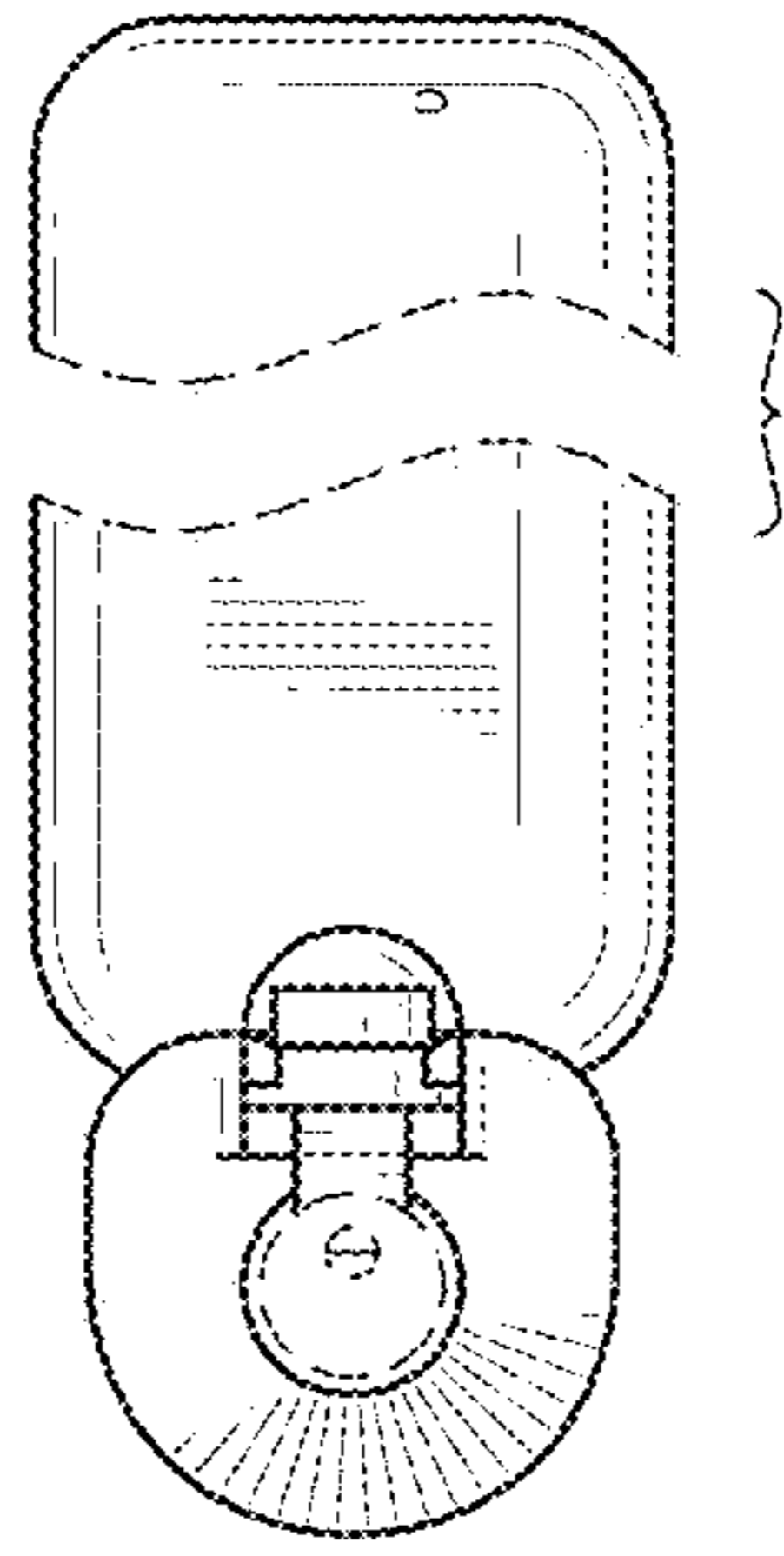


FIG.3

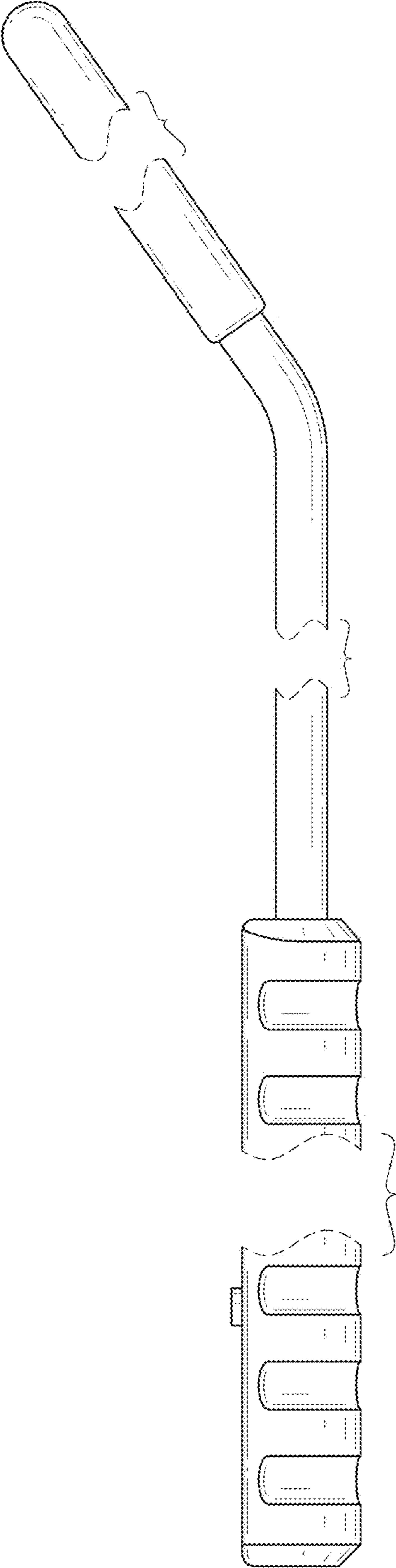


FIG.4

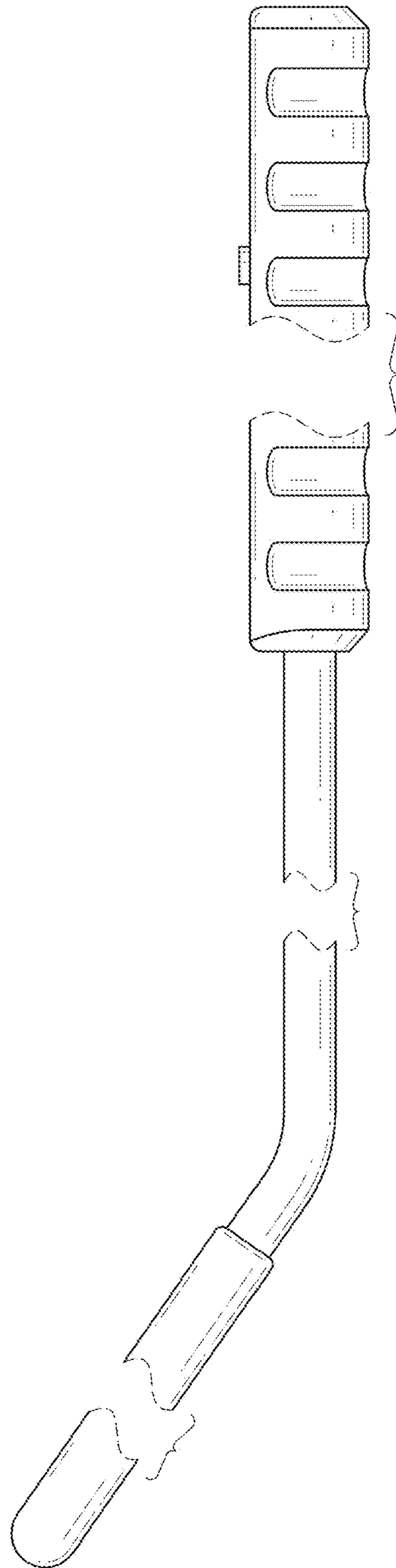


FIG.5

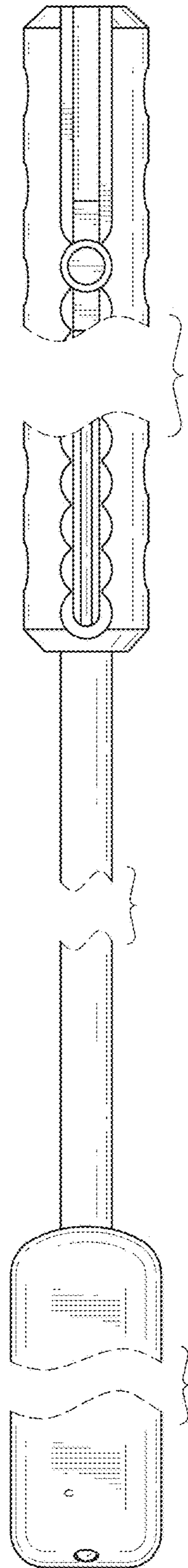


FIG.6

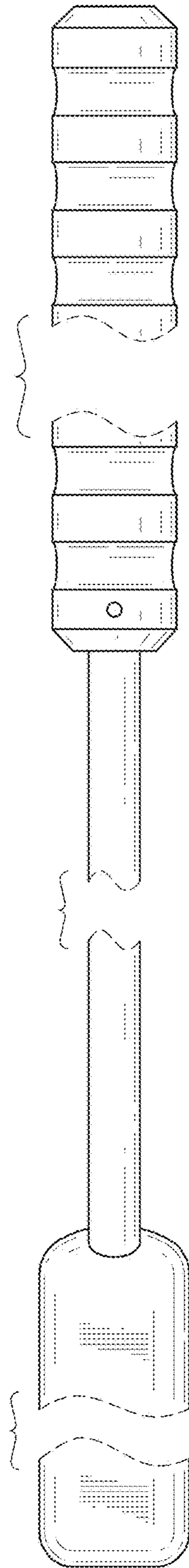


FIG. 7