



US00D819810S

(12) **United States Design Patent**  
Shibata et al.

(10) **Patent No.:** **US D819,810 S**

(45) **Date of Patent:** **\*\* Jun. 5, 2018**

(54) **RETRACTOR**

- (71) Applicants: **OSAKA CITY UNIVERSITY**, Osaka-shi, Osaka (JP); **OZK CO., LTD.**, Yao-shi, Osaka (JP); **Shinwa Syoji CO., LTD.**, Higashiosaka-shi, Osaka (JP)
- (72) Inventors: **Toshihiko Shibata**, Osaka (JP); **Haruhiko Yamasaki**, Yao (JP); **Katsunori Mitsuhashi**, Yao (JP); **Yoshiro Morishita**, Higashiosaka (JP)
- (73) Assignees: **OSAKA CITY UNIVERSITY**, Osaka-shi (JP); **OZK CO., LTD.**, Yao-shi (JP); **SHINWA SYOJI CO., LTD.**, Higashiosaka-shi (JP)

(\*\*) Term: **15 Years**

(21) Appl. No.: **29/591,925**

(22) Filed: **Jan. 25, 2017**

(30) **Foreign Application Priority Data**

Jul. 25, 2016 (JP) ..... 2016-015769

(51) **LOC (11) Cl.** ..... **24-02**

(52) **U.S. Cl.**  
USPC ..... **D24/135**

(58) **Field of Classification Search**  
USPC ..... D24/133, 135, 136, 140, 143, 150, 151, D24/152, 176; 600/210, 217, 235, 237, 600/201, 214, 240; 606/191; 433/140, 433/141; D8/327, 328; 16/221, 267,  
(Continued)

(56) **References Cited**

U.S. PATENT DOCUMENTS

- 803,509 A \* 10/1905 Ryan ..... E05D 3/02  
16/386
- 998,137 A \* 7/1911 Watrous ..... E05D 7/1066  
16/267

(Continued)

OTHER PUBLICATIONS

Nargesa Hinges Making Tool PP200, as posted at Nargesa.com [online], captured by Internet Archive Wayback Machine on Jun. 18, 2015, [site visited Apr. 1, 2018]. Available from the Internet, <URL: https://web.archive.org/web/20150618231502/https://www.nargesa.com/en/industrial-machinery/horizontal-press-brake-pp200>.\*

*Primary Examiner* — Jeffrey D Asch  
*Assistant Examiner* — Rebekah A Caruso

(74) *Attorney, Agent, or Firm* — Westerman, Hattori, Daniels & Adrian, LLP

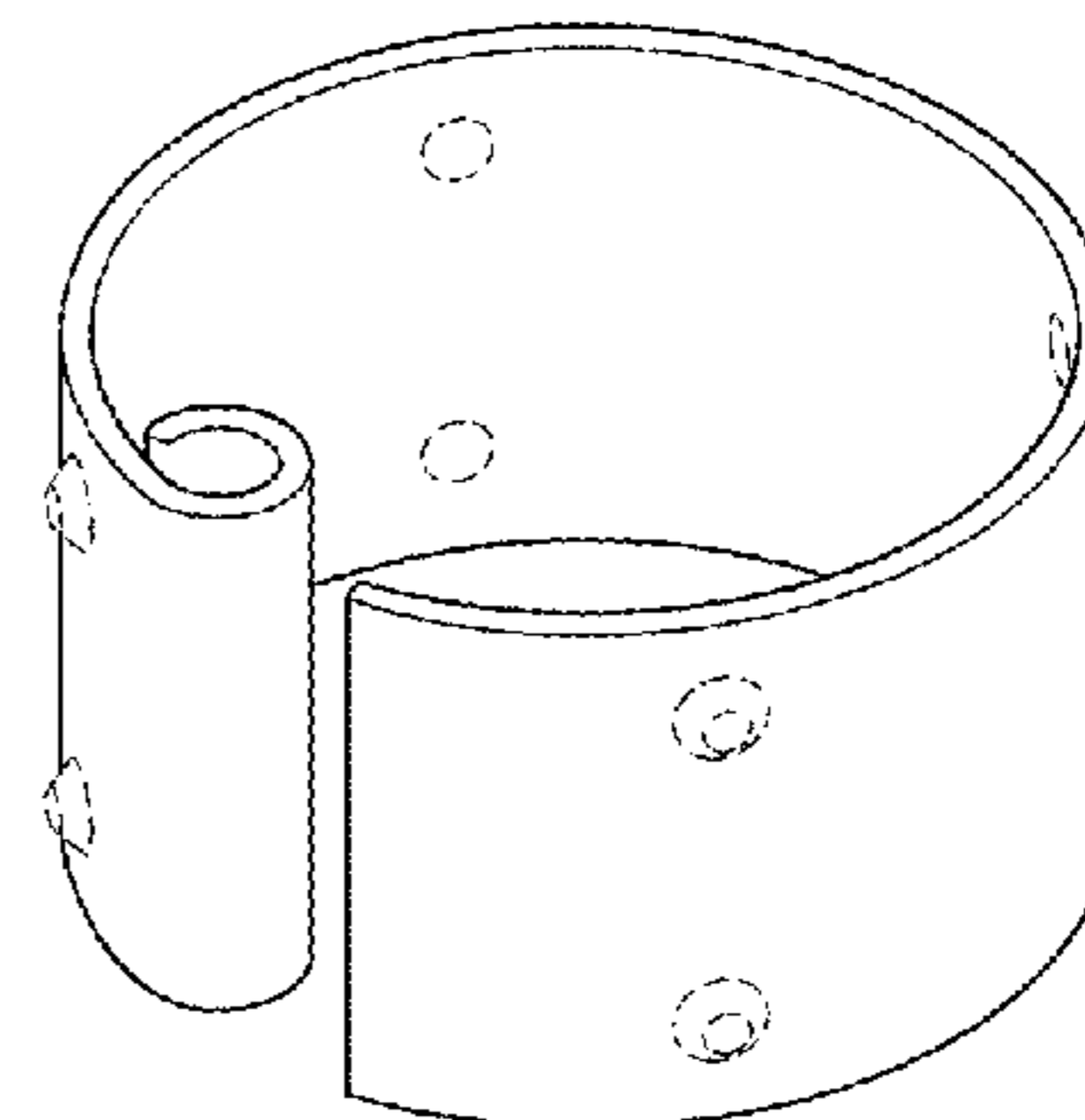
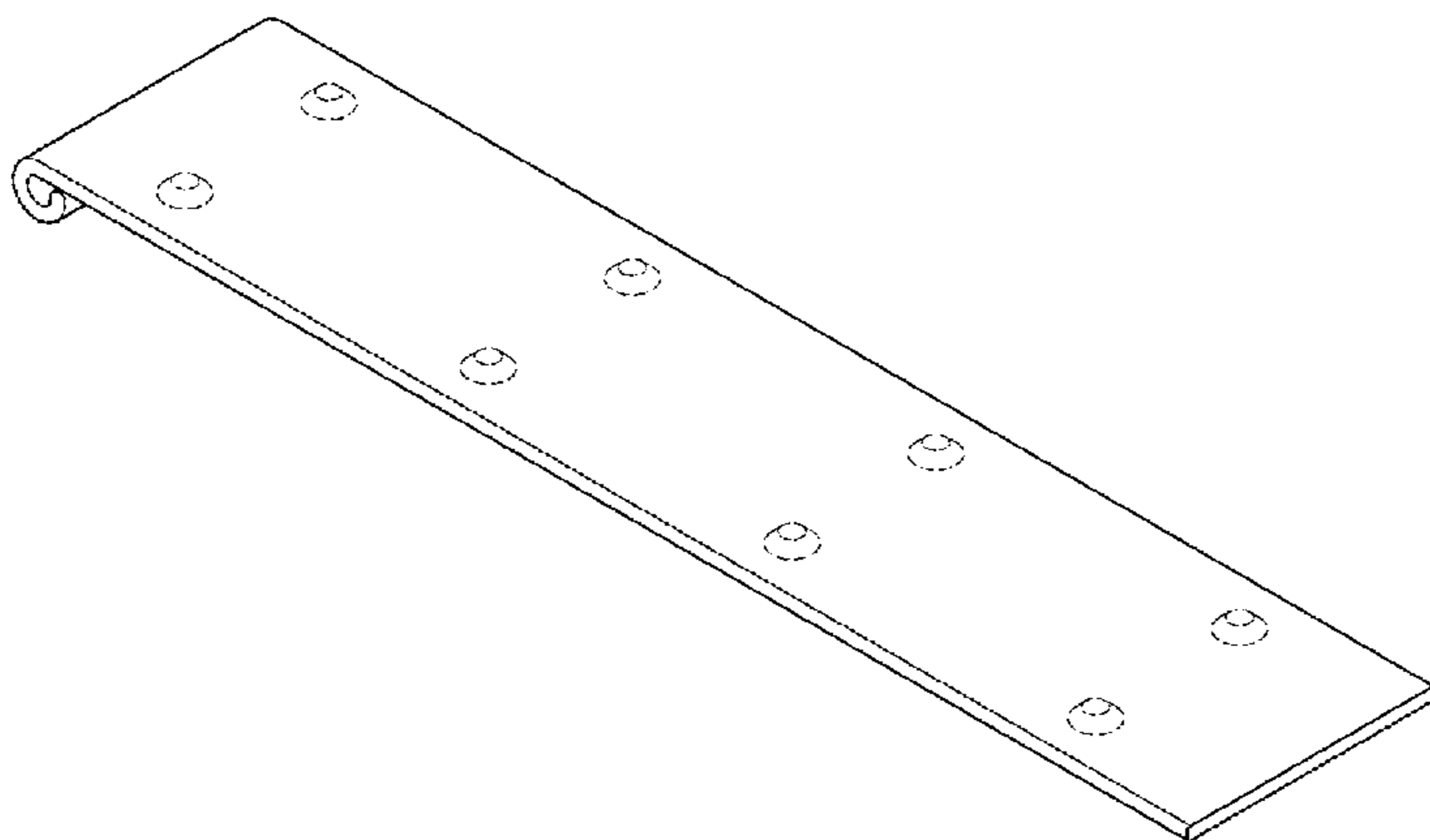
(57) **CLAIM**

The ornamental design for a retractor, as shown and described.

**DESCRIPTION**

FIG. 1 is a front perspective view of a retractor showing our new design.  
 FIG. 2 is a front elevational view thereof.  
 FIG. 3 is a rear elevational view thereof.  
 FIG. 4 is a right side elevational view thereof.  
 FIG. 5 is a left side elevational view thereof.  
 FIG. 6 is a top plan view thereof.  
 FIG. 7 is a bottom plan view thereof.  
 FIG. 8 is a cross-sectional view thereof, taken along line 8-8 of FIG. 2; and,  
 FIG. 9 is a perspective view thereof, showing the retractor in use after being inserted into a chest or an abdomen from a small incision, the retractor being deformed in a ring shape in a body, so as to keep the opened part in the opened state. The broken lines illustrate environmental structure and form no part of the claimed design.

**1 Claim, 9 Drawing Sheets**



# US D819,810 S

Page 2

(58) **Field of Classification Search**  
USPC ..... 16/355; D11/3, 79, 210; D28/39, 40, 41,  
D28/42; D14/458-461; D20/21; D6/596  
CPC . A61B 17/02; A61B 17/0206; A61B 17/0218;  
A61B 1/00; A61B 1/32  
See application file for complete search history.

(56) **References Cited**  
U.S. PATENT DOCUMENTS

1,374,602 A \* 4/1921 Panek ..... E05D 3/02  
16/221  
2,331,595 A \* 10/1943 Bush ..... A47B 23/043  
16/236  
2,762,473 A \* 9/1956 Swerdlow ..... H01H 9/042  
16/221  
2,969,059 A \* 1/1961 Meek ..... A61B 1/24  
600/239  
3,364,919 A \* 1/1968 Hunnicutt ..... A61B 17/0206  
600/206

D224,138 S \* 7/1972 Mahler ..... D6/583  
3,828,476 A \* 8/1974 Tenenbaum ..... E05D 5/0215  
16/221  
3,994,045 A \* 11/1976 Roy ..... A47G 1/143  
16/355  
D255,557 S \* 6/1980 Ayson ..... D11/79  
4,738,248 A \* 4/1988 Ray ..... A61B 17/02  
600/206  
D320,658 S \* 10/1991 Quigley ..... D24/135  
D366,177 S \* 1/1996 Dean ..... 5/419  
D415,482 S \* 10/1999 Jolson ..... D14/447  
6,196,608 B1 \* 3/2001 Ooms ..... B62D 33/02  
296/146.11  
D664,149 S \* 7/2012 Crisp ..... D14/459  
8,291,531 B2 \* 10/2012 Kuo ..... A47C 27/14  
297/440.12  
D781,977 S \* 3/2017 Lin ..... D21/803  
2004/0046090 A1 \* 3/2004 Kao ..... B29C 44/022  
248/118.1

\* cited by examiner

FIG. 1

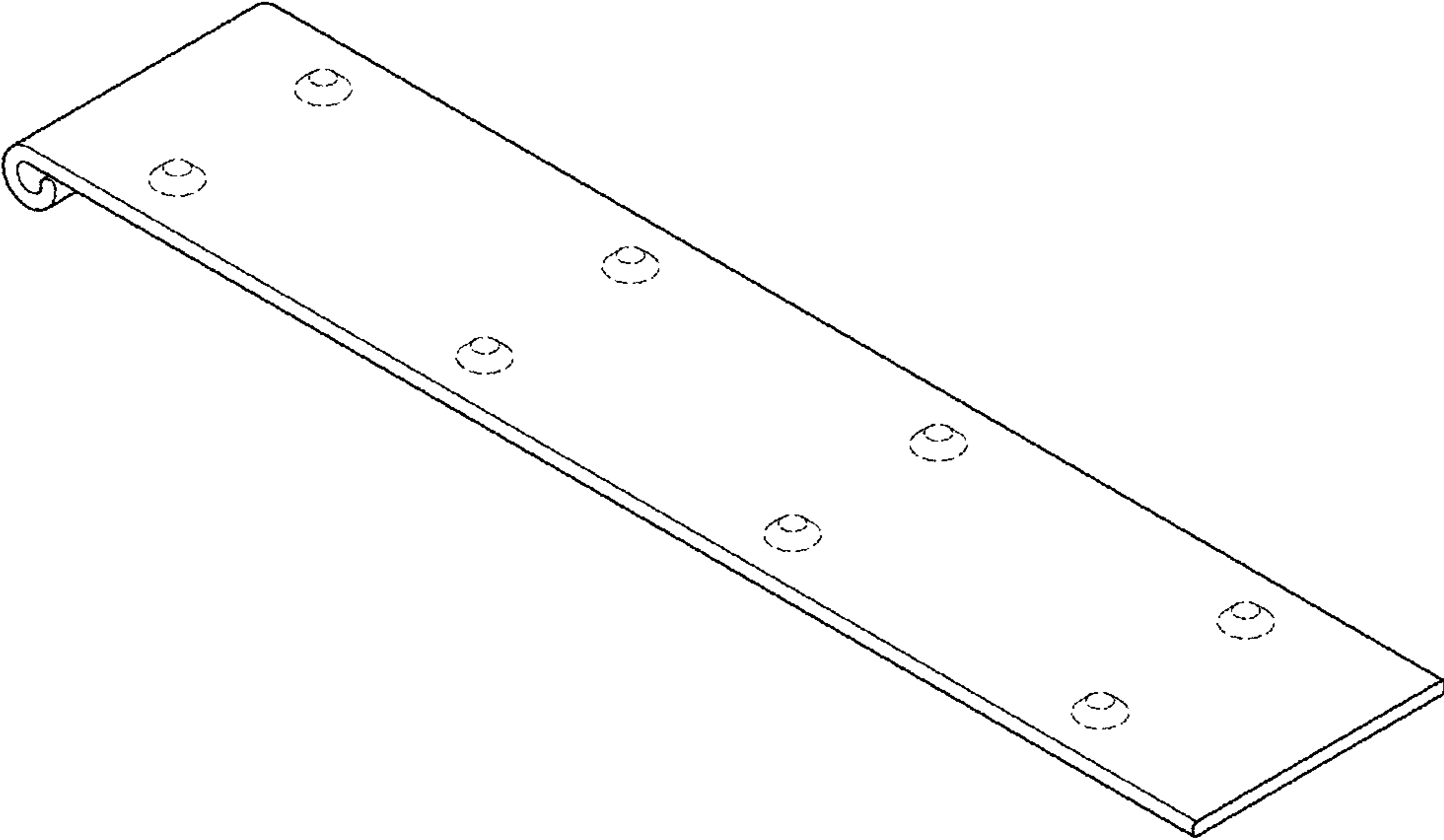


FIG. 2

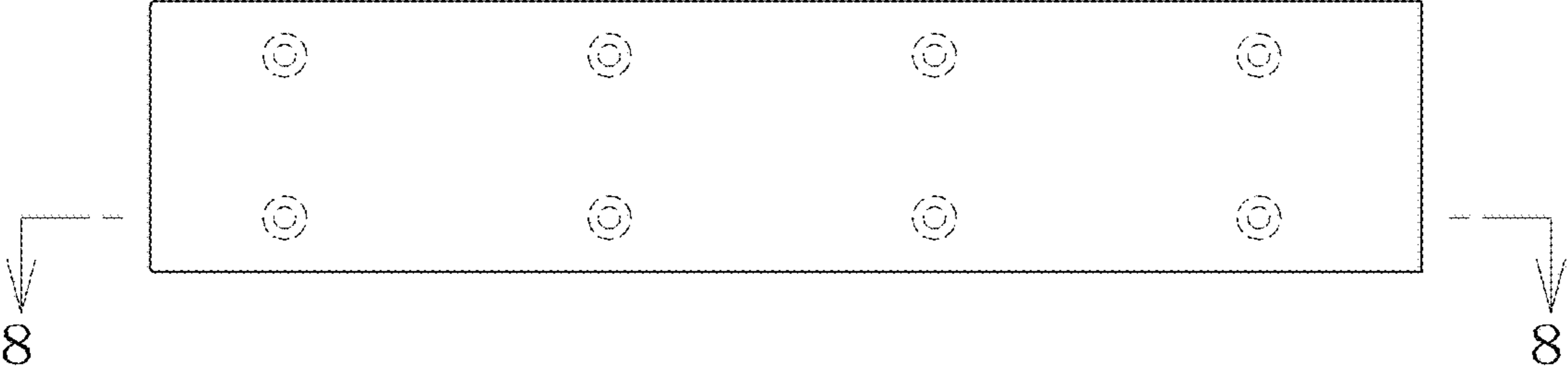


FIG. 3

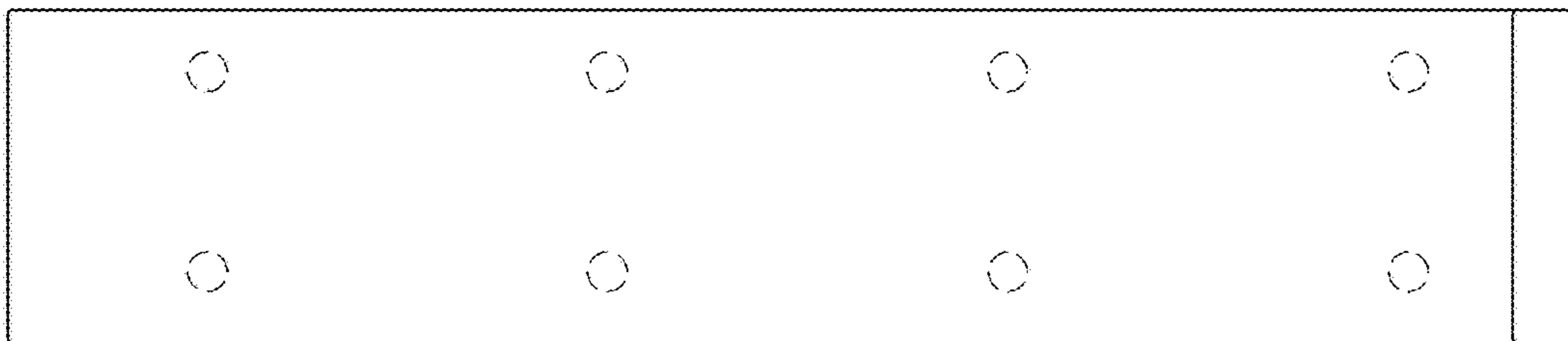


FIG. 4

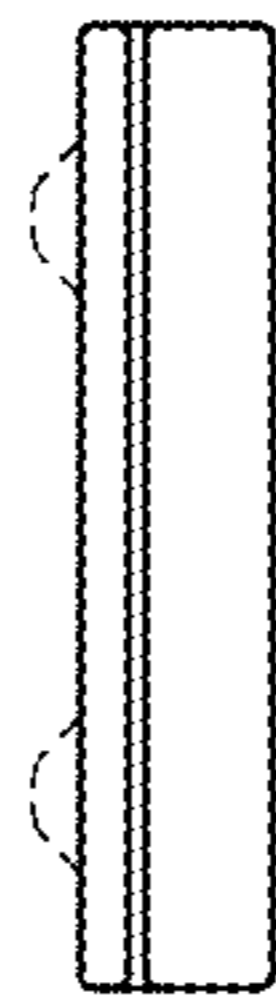


FIG. 5

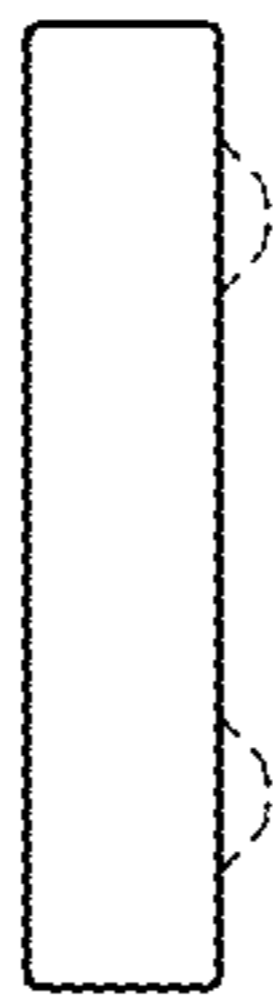


FIG. 6

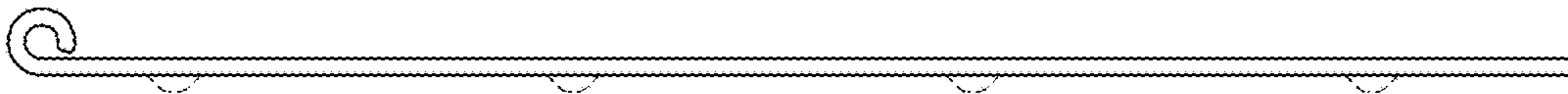




FIG. 7

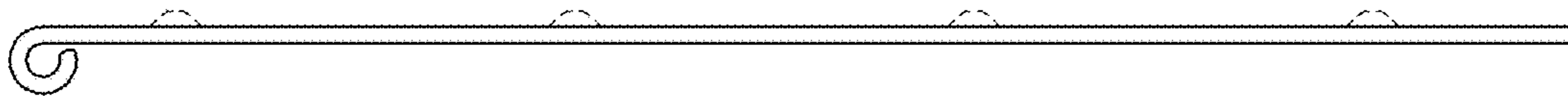


FIG. 8

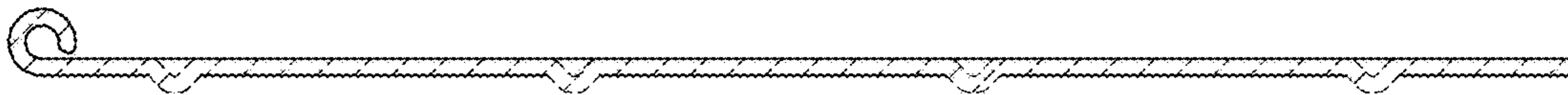


FIG. 9

