



US00D819808S

(12) **United States Design Patent**
Peretz

(10) **Patent No.:** **US D819,808 S**

(45) **Date of Patent:** **** Jun. 5, 2018**

(54) **MEDICAL SYRINGE EXTENSION DEVICE**

(71) Applicant: **Q-Core Medical Ltd.**, Netanya (IL)

(72) Inventor: **Shai Peretz**, Tel Aviv (IL)

(73) Assignee: **Q-Core Medical Ltd.**, Netanya (IL)

(**) Term: **15 Years**

(21) Appl. No.: **29/582,921**

(22) Filed: **Nov. 1, 2016**

(51) **LOC (11) Cl.** **24-02**

(52) **U.S. Cl.**
USPC **D24/130**

(58) **Field of Classification Search**
USPC D24/127-131, 112-114, 133, 186;
606/181, 185; 604/264, 523-528, 272,
604/187, 158, 164.01-164.11, 181, 184,
604/227; 600/101, 139, 143;
128/200.24, 207.14, 207.15
CPC A61M 25/00; A61M 39/00; A61M 27/00;
A61M 25/0043; A61M 25/0067; A61M
25/0097; A61F 2/958
See application file for complete search history.

(56) **References Cited**

U.S. PATENT DOCUMENTS

3,896,810 A * 7/1975 Akiyama A61M 5/32
600/573

7,686,800 B2 * 3/2010 Savage A61M 25/007
604/264

7,927,321 B2 * 4/2011 Marland A47K 11/02
182/3

7,998,162 B2 * 8/2011 Ho A61M 25/1011
606/194

D695,891 S * 12/2013 Biel D24/112

8,603,070 B1 * 12/2013 Lareau A61L 29/049
524/423

8,740,925 B2 * 6/2014 Bettuchi A61B 17/3421
604/170.02

8,758,329 B2 * 6/2014 Paulen A61M 25/0017
604/327

D736,914 S * 8/2015 Schultz D24/129

D737,962 S * 9/2015 Schultz D24/129

D750,260 S * 2/2016 Sauer D24/186

D761,420 S * 7/2016 Hayamizu D24/129

D804,334 S * 12/2017 Becker D10/70

* cited by examiner

Primary Examiner — David Muller

(74) *Attorney, Agent, or Firm* — Eitan, Mehulal & Sadot

(57) **CLAIM**

The ornamental design for a medical syringe extension device, as shown and described.

DESCRIPTION

FIG. 1 is a perspective view of the medical syringe extension device;

FIG. 2 is a right side view thereof;

FIG. 3 is a left side view thereof;

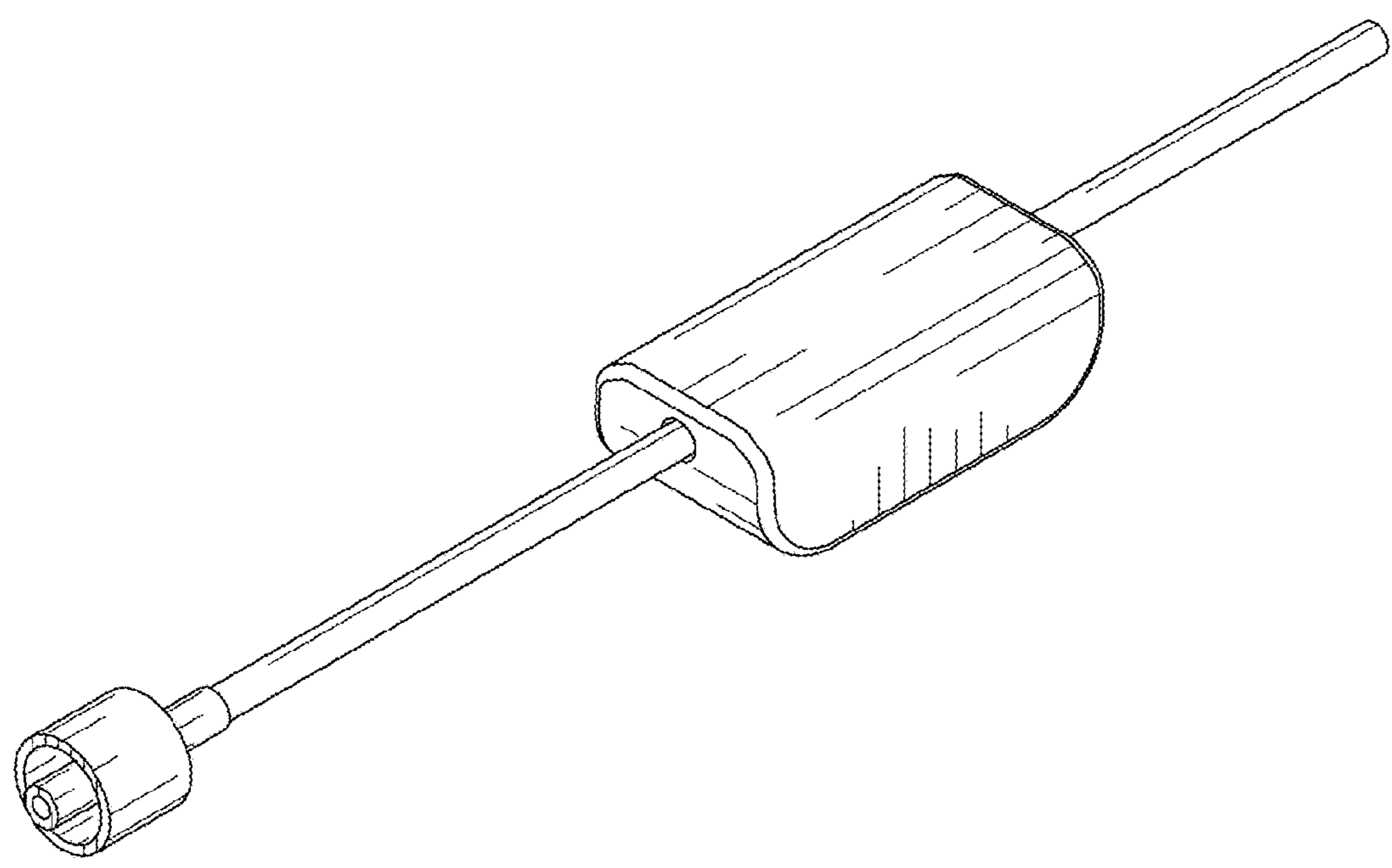
FIG. 4 is a front view thereof;

FIG. 5 is a rear view thereof;

FIG. 6 is a top view thereof; and,

FIG. 7 is a bottom view thereof.

1 Claim, 4 Drawing Sheets



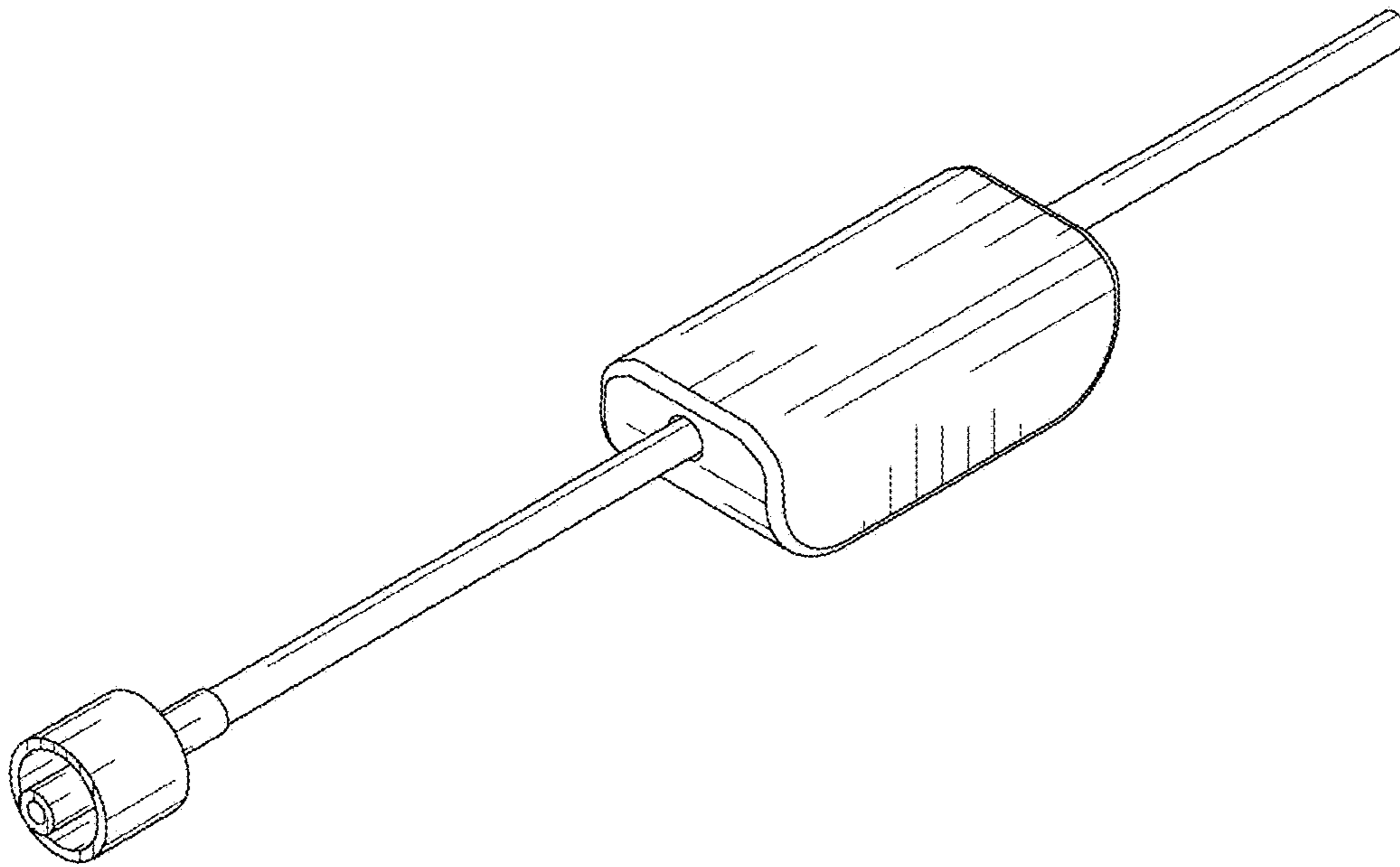


FIG.1

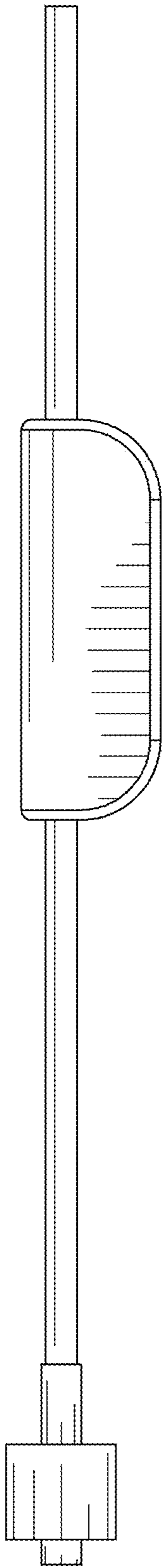


FIG. 2

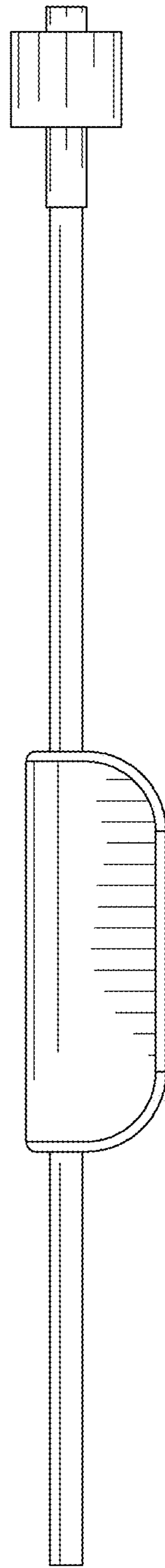


FIG. 3

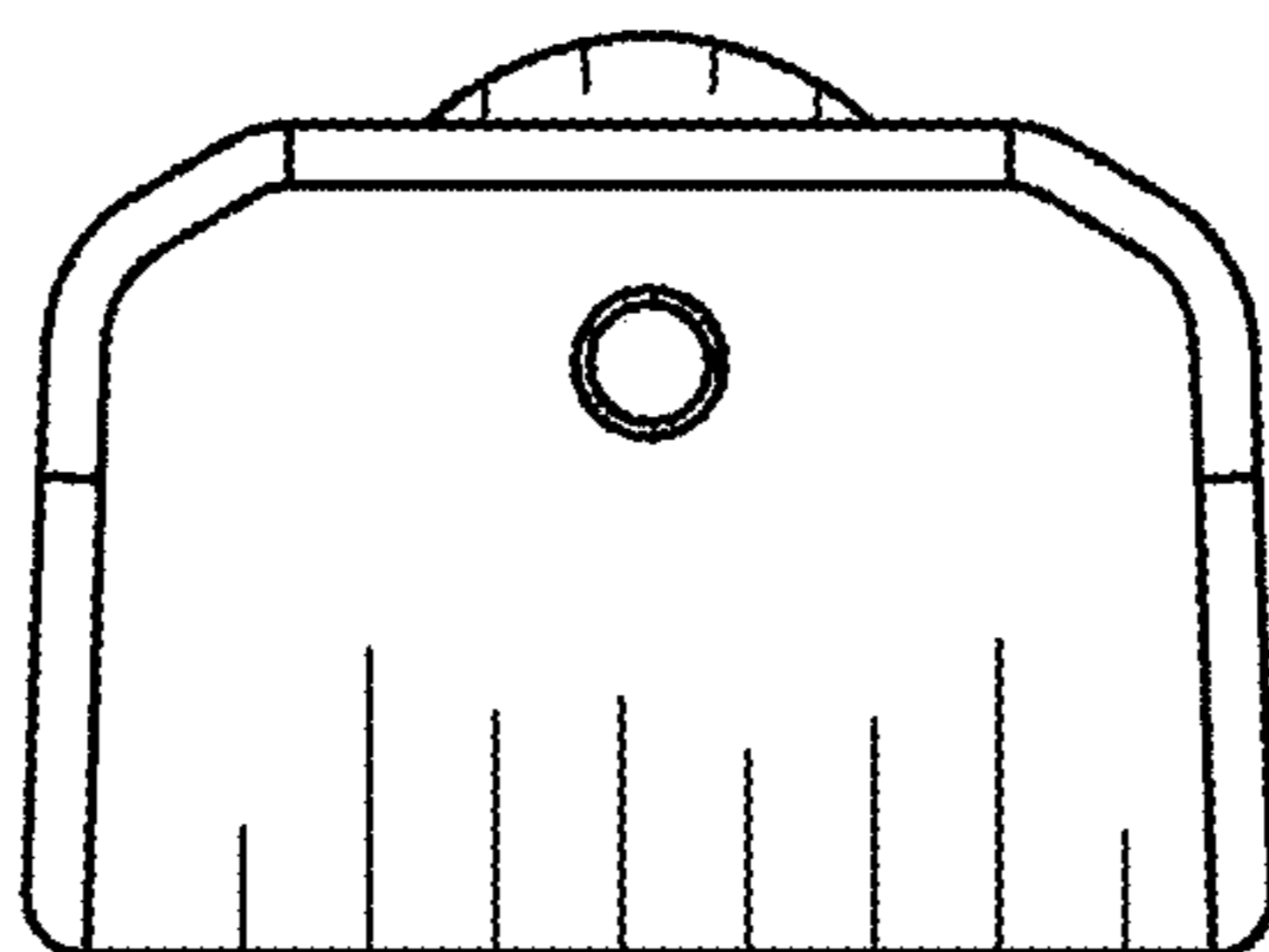


FIG. 4

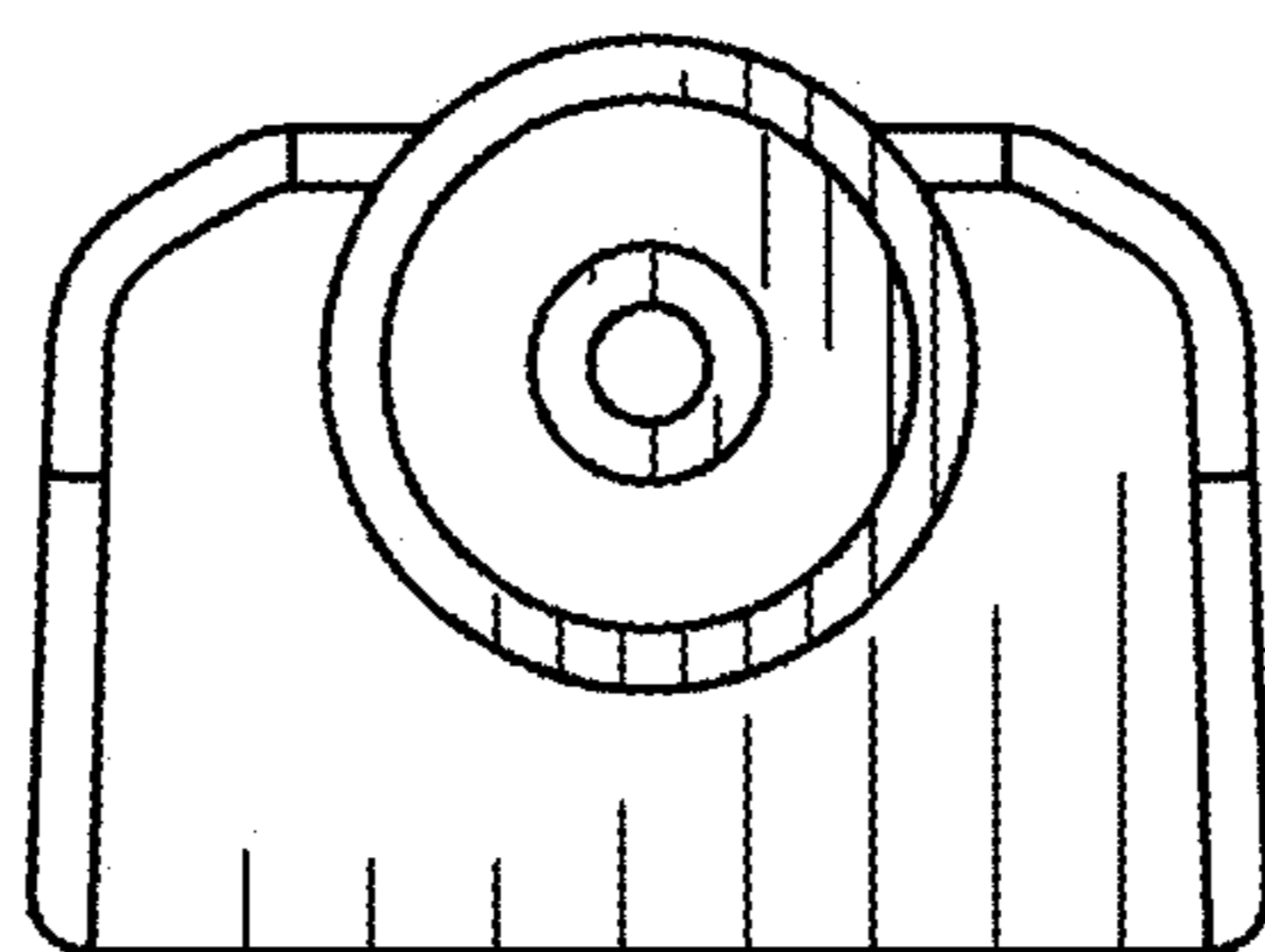


FIG. 5

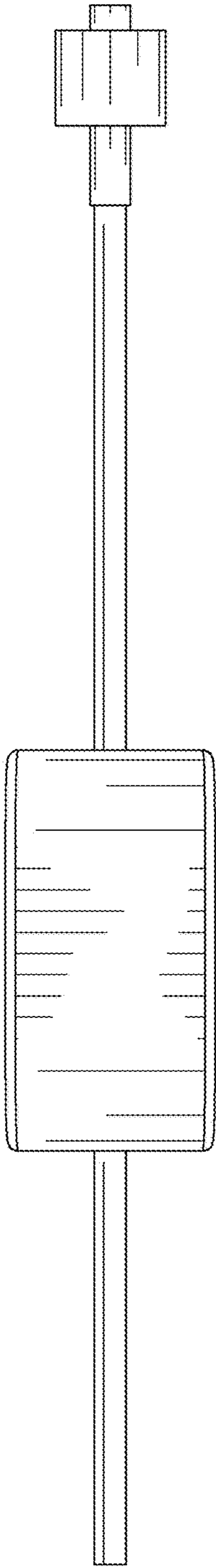


FIG. 6

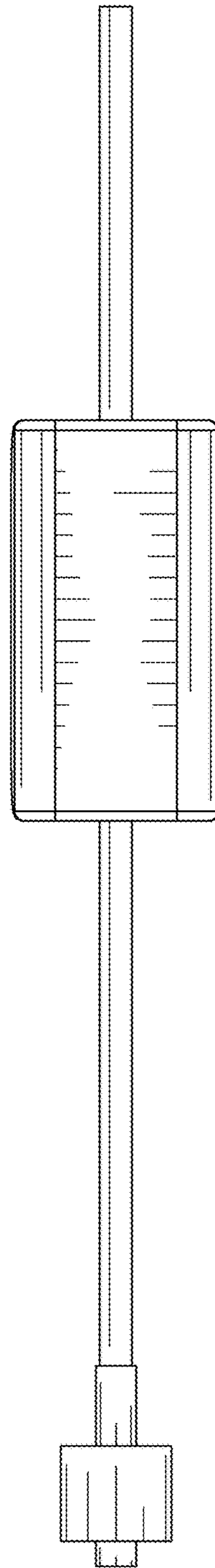


FIG. 7