



US00D819806S

(12) **United States Design Patent**  
**Koehler et al.**

(10) **Patent No.:** **US D819,806 S**  
(45) **Date of Patent:** **\*\* Jun. 5, 2018**

(54) **HOLDING BRACKET FOR MEDICAL INSTRUMENT**

(71) Applicant: **KARL STORZ GmbH & Co. KG,**  
Tuttlingen (DE)

(72) Inventors: **Benedikt Koehler,** Tuttlingen (DE);  
**Andreas Efinger,** Tuttlingen (DE);  
**Daniel Steidle,** Tuttlingen (DE)

(73) Assignee: **Karl Storz GmbH & Co. KG,**  
Tuttlingen (DE)

(\*\*) Term: **15 Years**

(21) Appl. No.: **29/580,927**

(22) Filed: **Oct. 14, 2016**

(30) **Foreign Application Priority Data**

Apr. 14, 2016 (EM) ..... 003069558-0001

(51) **LOC (11) Cl.** ..... **24-02**

(52) **U.S. Cl.**  
USPC ..... **D24/128**

(58) **Field of Classification Search**  
USPC ..... D24/128-130, 172; D13/133, 153, 154,  
D13/156; D8/349, 354, 396  
CPC ..... F16L 23/10; A61M 25/02; A61M  
2025/0098; A61F 9/0008; A61F 9/0026  
See application file for complete search history.

(56) **References Cited**

**U.S. PATENT DOCUMENTS**

D376,974 S \* 12/1996 Chen ..... 24/274 WB  
D383,967 S \* 9/1997 DeMars ..... D8/354  
D391,636 S \* 3/1998 Zwerk ..... D24/128  
D438,783 S \* 3/2001 Elliott ..... F16L 23/10  
D8/396

D708,053 S \* 7/2014 Marini ..... D24/127  
D711,730 S \* 8/2014 McKiernan ..... D8/396  
D711,731 S \* 8/2014 Sugiura ..... D17/22  
D731,299 S \* 6/2015 Sugiura ..... D8/396  
D735,025 S \* 7/2015 Mathien ..... D8/396  
D761,101 S \* 7/2016 Seo ..... D8/396  
2013/0249212 A1 \* 9/2013 McKiernan ..... F16L 23/10  
285/407

\* cited by examiner

*Primary Examiner* — Sheryl Lane

*Assistant Examiner* — Calvin E Vansant

(74) *Attorney, Agent, or Firm* — Muncy, Geissler, Olds & Lowe, P.C.

(57) **CLAIM**

The ornamental design for a holding bracket for medical instrument, as shown and described.

**DESCRIPTION**

FIG. 1 is a front perspective view of a holding bracket for medical instrument according to the present invention.

FIG. 2 is a front view of the holding bracket for medical instrument of FIG. 1.

FIG. 3 is a rear view of the holding bracket for medical instrument of FIG. 1.

FIG. 4 is a left side view of the holding bracket for medical instrument of FIG. 1.

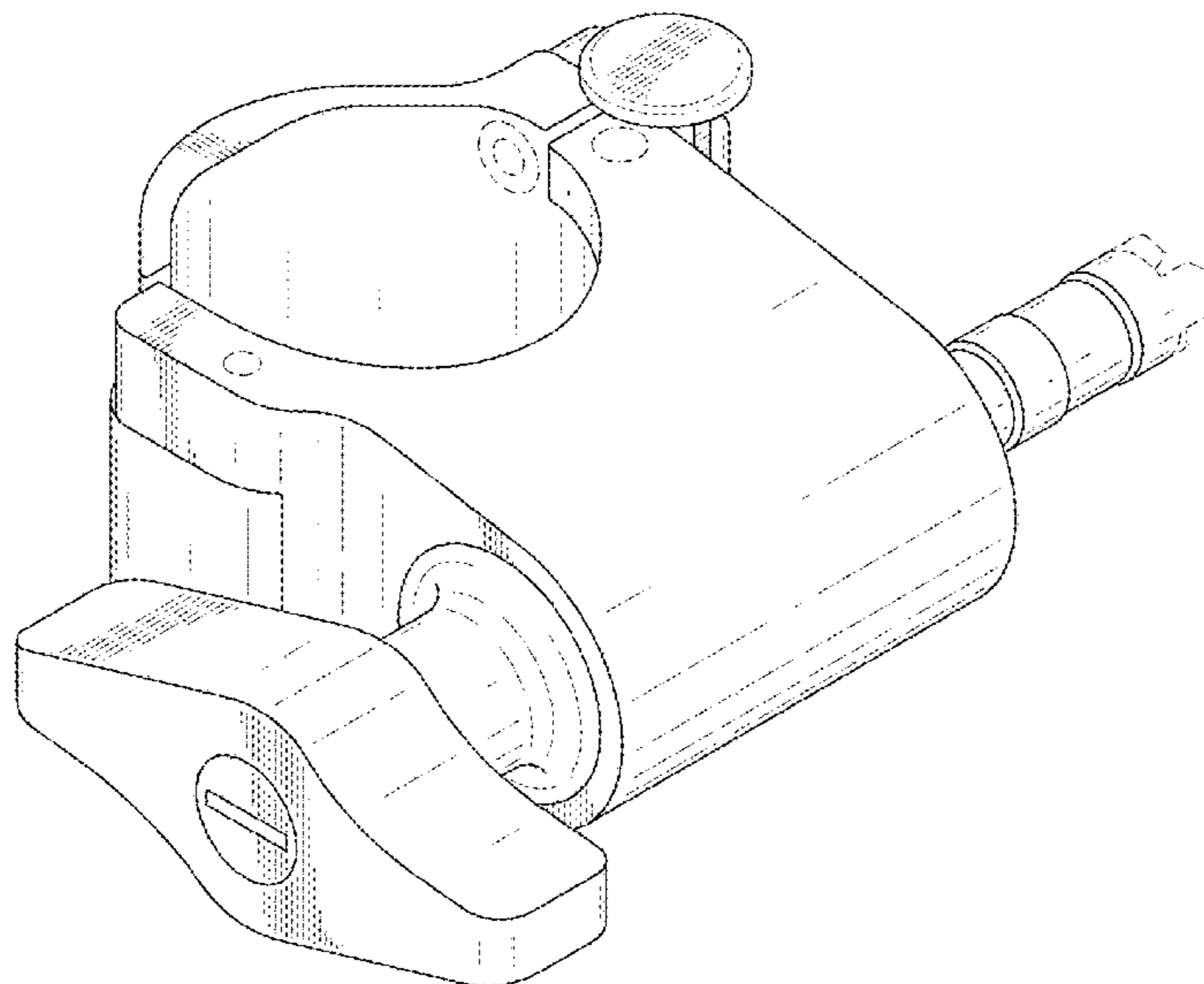
FIG. 5 is a right side view of the holding bracket for medical instrument of FIG. 1.

FIG. 6 is a top view of the holding bracket for medical instrument of FIG. 1; and,

FIG. 7 is a bottom view of the holding bracket for medical instrument of FIG. 1.

The broken lines depict portions of the holding bracket for medical instrument that form no part of the claim.

**1 Claim, 7 Drawing Sheets**



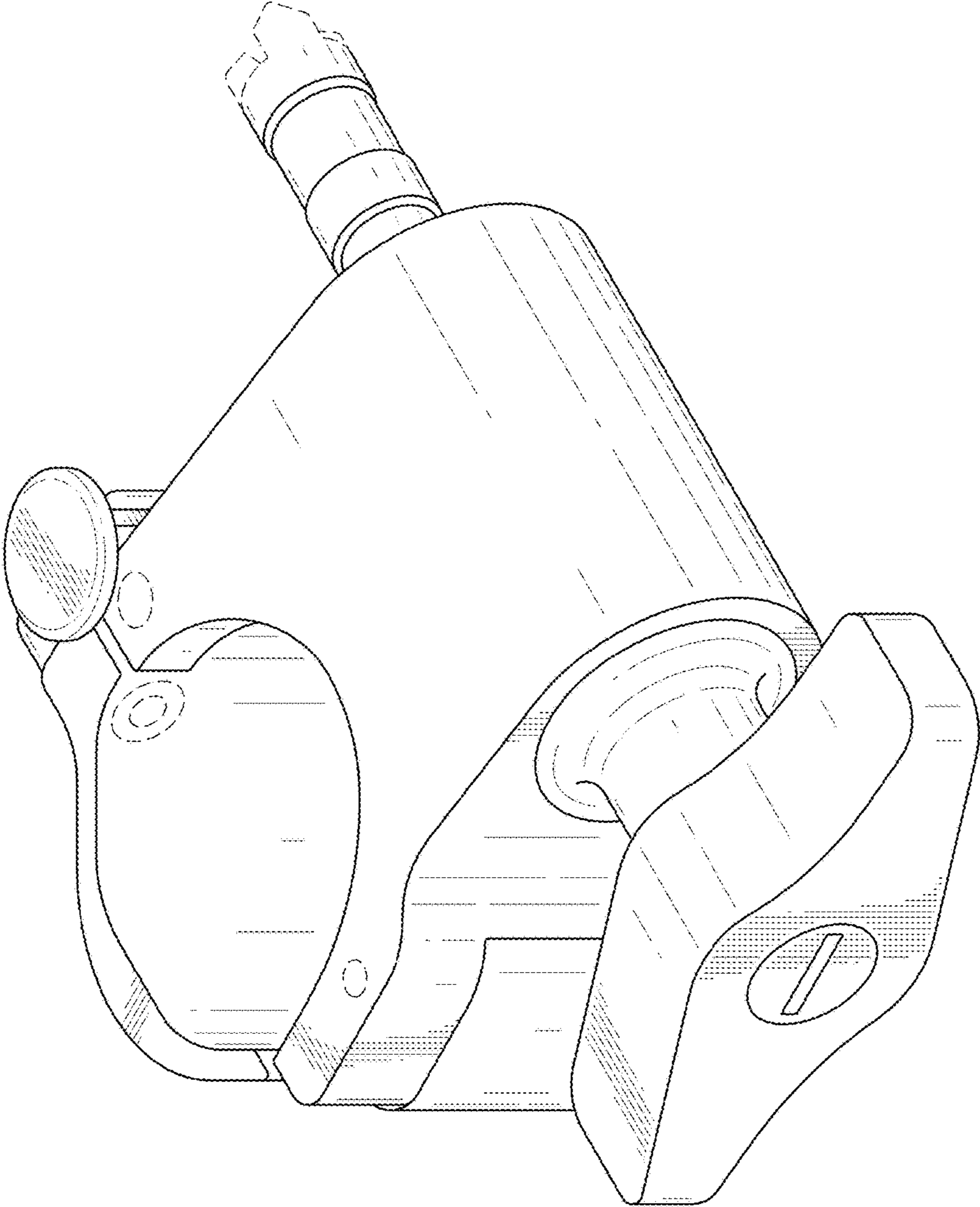


FIG.1

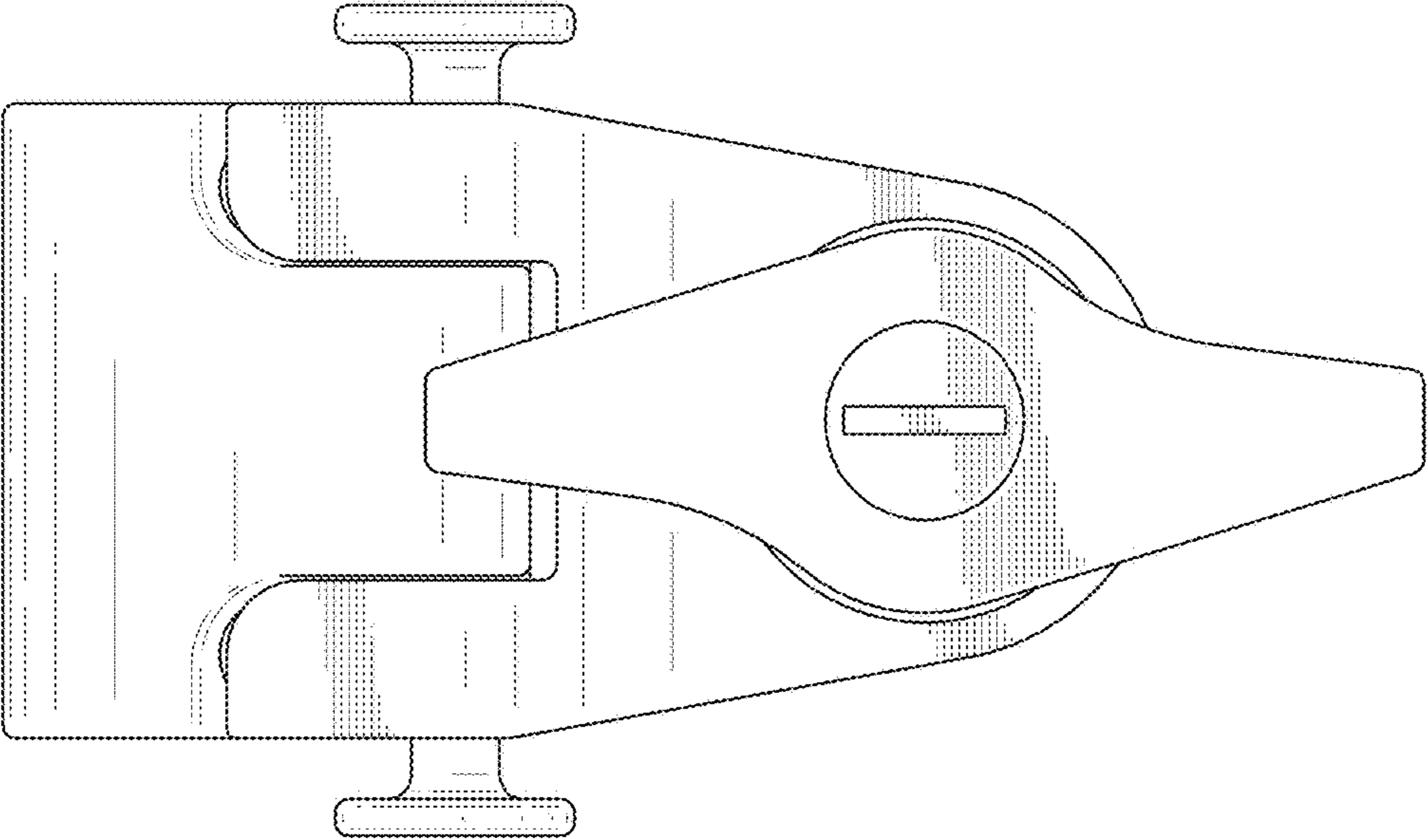


FIG.2

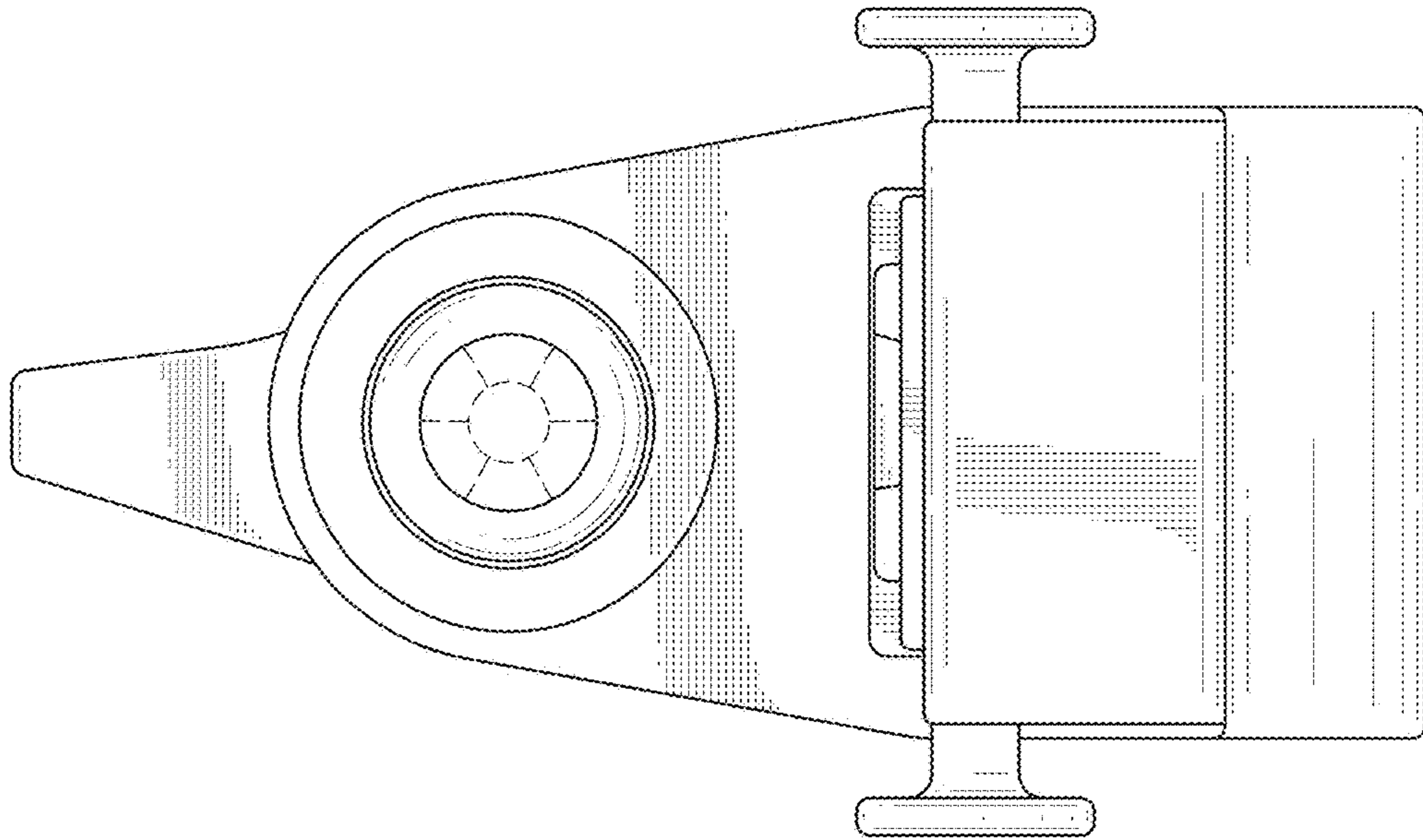


FIG.3

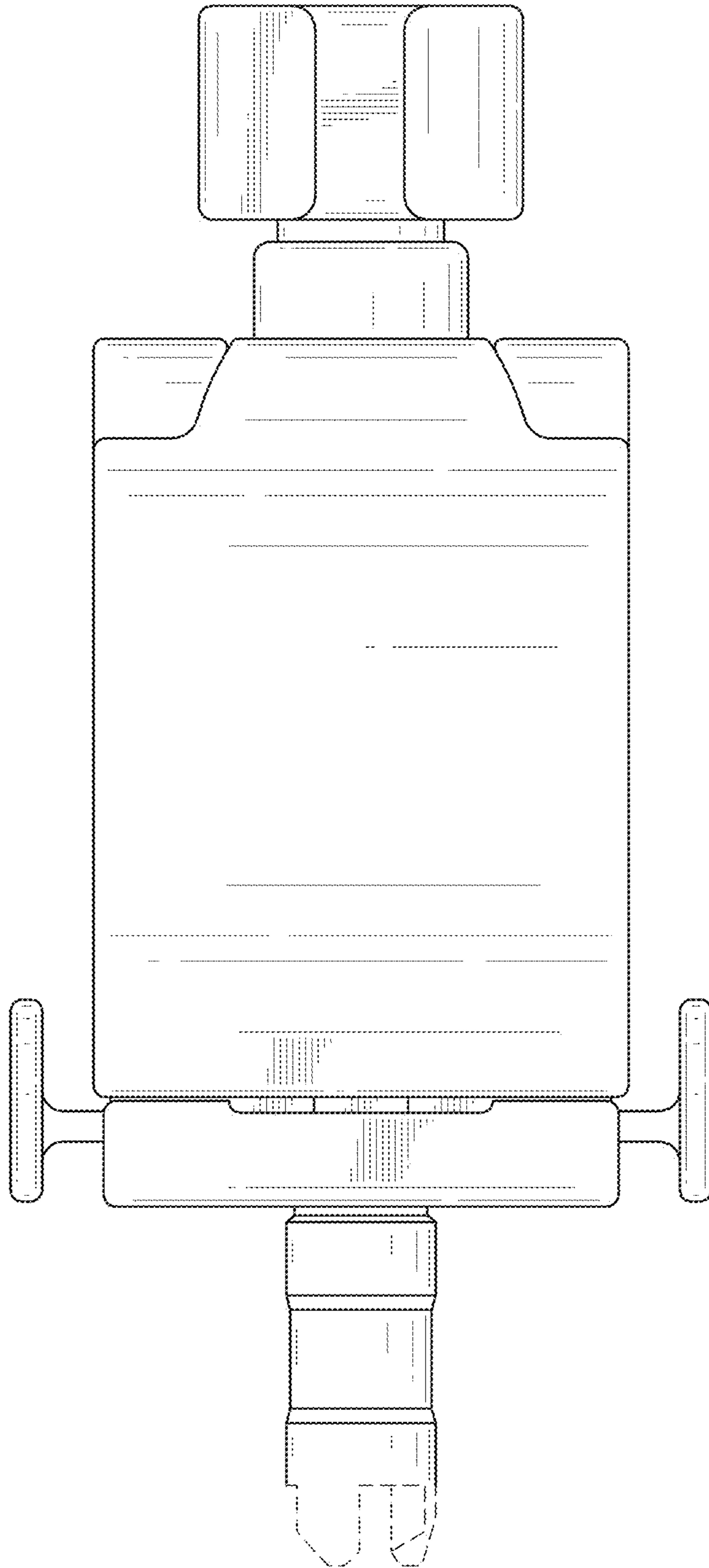


FIG. 4

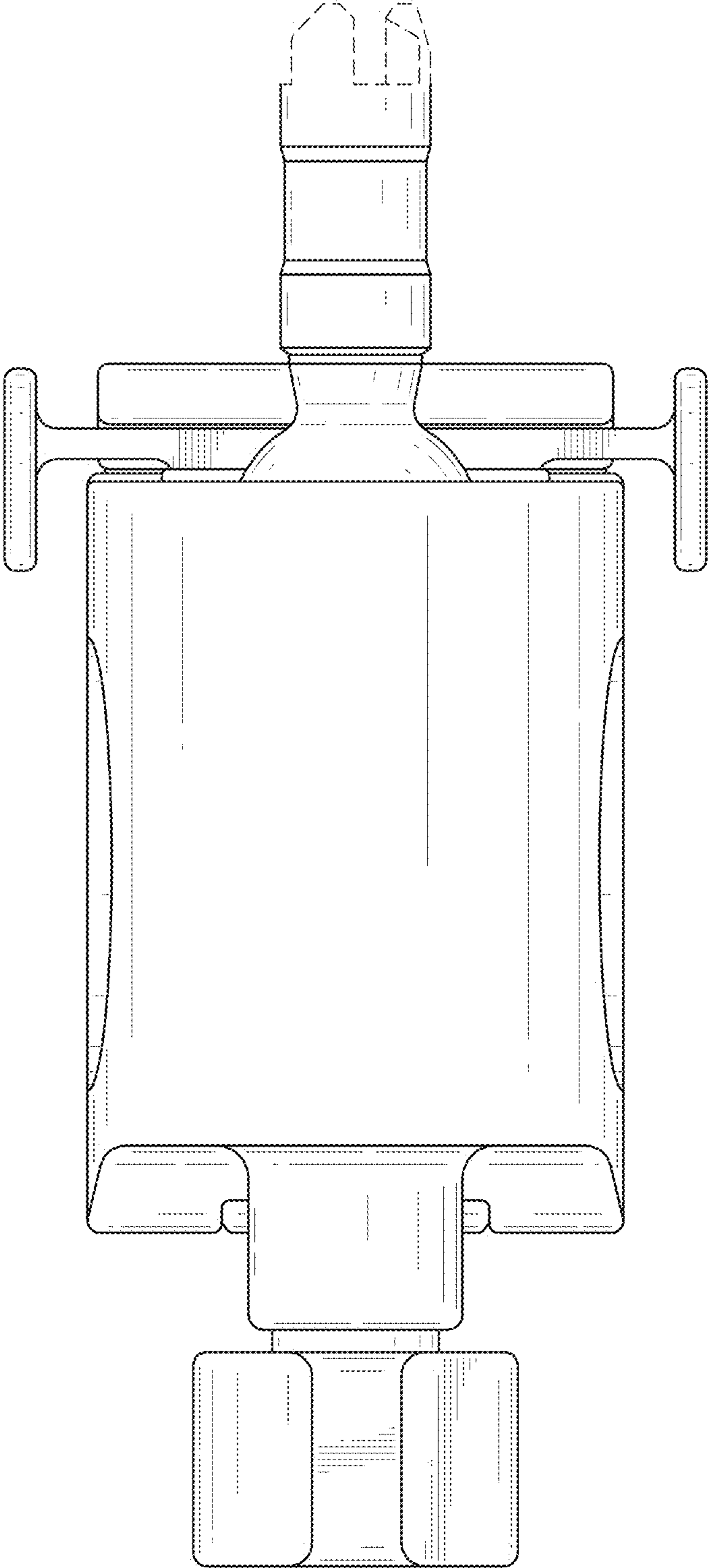


FIG.5

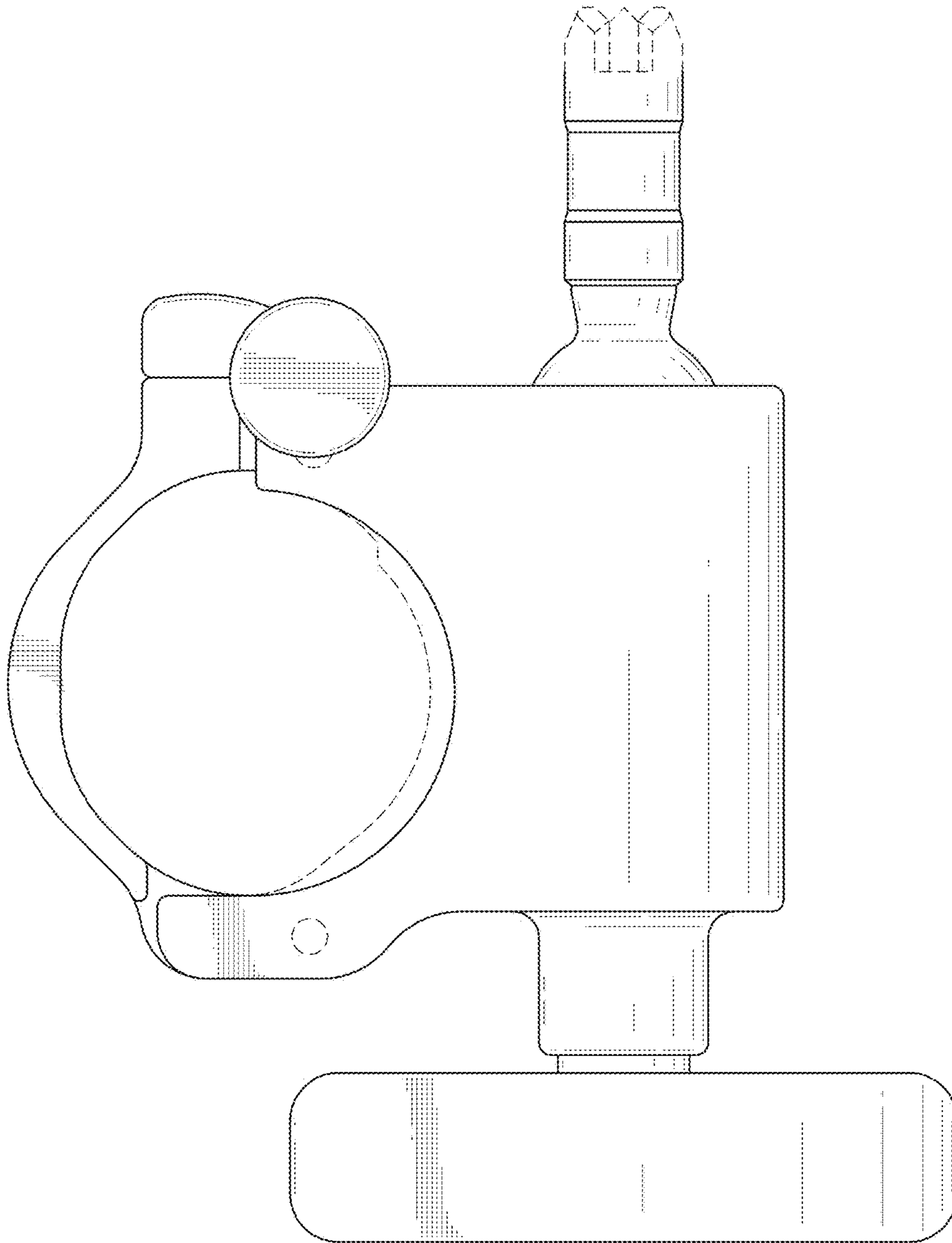


FIG.6

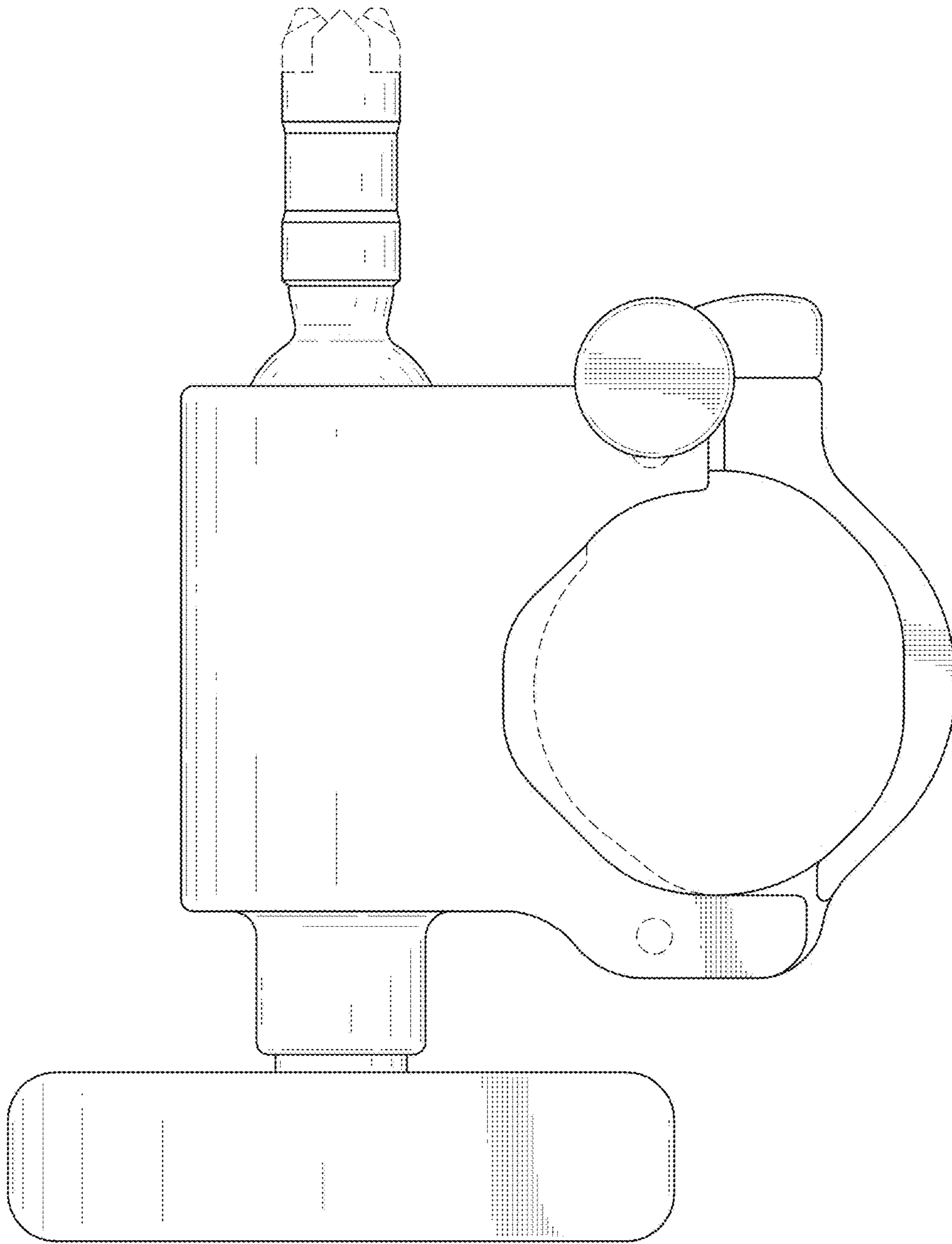


FIG.7