



US00D819804S

(12) **United States Design Patent**  
**Knight et al.**

(10) **Patent No.:** **US D819,804 S**  
(45) **Date of Patent:** **\*\* Jun. 5, 2018**

(54) **INJECTOR**

(71) Applicant: **UCB Biopharma SPRL**, Brussels (BE)

(72) Inventors: **Barry Alan Knight**, Berkshire (GB);  
**Marko Plevnik**, London (GB);  
**Norihiko Inoue**, London (GB); **Jamie Buckley**, London (GB); **Lisa Hornsey**, London (GB)

(73) Assignee: **UCB Biopharma SPRL**, Brussels (BE)

(\*\*) Term: **15 Years**

(21) Appl. No.: **29/602,184**

(22) Filed: **Apr. 28, 2017**

(51) **LOC (11) Cl.** ..... **24-02**

(52) **U.S. Cl.**  
USPC ..... **D24/113**

(58) **Field of Classification Search**  
USPC ..... D24/112–114, 133, 186, 104, 127, 130;  
606/181, 185; 604/264, 272, 115, 232,  
604/187, 158, 164.08, 192, 263, 163, 181,  
604/184, 198, 227; 600/101, 139, 143;  
128/200.24, 207.14, 207.15;  
D19/115–123, 177, 193  
CPC ..... A61M 5/3156; A61M 5/31591; A61M  
5/3155; A61M 5/3157; A61M 5/24;  
A61M 5/31501; A61M 5/31551; A61M  
5/31585; A61M 2005/2407; A61M  
2005/2492; A61M 2205/581; A61M  
2205/582  
See application file for complete search history.

(56) **References Cited**

**U.S. PATENT DOCUMENTS**

1,868,200 A \* 7/1932 Freedman ..... A45D 40/06  
132/320  
D333,347 S \* 2/1993 Kemp ..... D24/131  
D385,793 S \* 11/1997 Marsal ..... D24/224

6,726,649 B2 \* 4/2004 Swenson ..... A61B 17/205  
206/365  
D506,550 S \* 6/2005 Greenberg ..... D24/133  
D580,489 S \* 11/2008 Ma ..... D19/117  
D590,877 S \* 4/2009 Ma ..... D19/121  
D601,191 S \* 9/2009 Hung ..... D19/117  
D627,061 S \* 11/2010 Van der Stappen ..... D24/113  
D642,330 S \* 7/2011 Turner ..... D24/133  
D655,753 S \* 3/2012 Han ..... D19/117  
D656,545 S \* 3/2012 Hung ..... D19/117  
D676,957 S \* 2/2013 Schneider ..... D24/113  
D688,792 S \* 8/2013 Guarraia ..... D24/113  
D696,771 S \* 12/2013 Schneider ..... D24/113  
D696,774 S \* 12/2013 Guarraia ..... D24/113  
D697,205 S \* 1/2014 Schneider ..... D24/113  
D703,314 S \* 4/2014 Schneider ..... D24/113  
D721,802 S \* 1/2015 Ohashi ..... D24/113  
D728,782 S \* 5/2015 Dubuc ..... D24/113  
D739,932 S \* 9/2015 Ratjen ..... D24/113  
D758,567 S \* 6/2016 Wohlfahrt ..... D24/113  
D758,569 S \* 6/2016 Wohlfahrt ..... D24/113

(Continued)

*Primary Examiner* — David Muller

*Assistant Examiner* — Nathan Johnston

(74) *Attorney, Agent, or Firm* — Muncy, Geissler, Olds & Lowe, P.C.

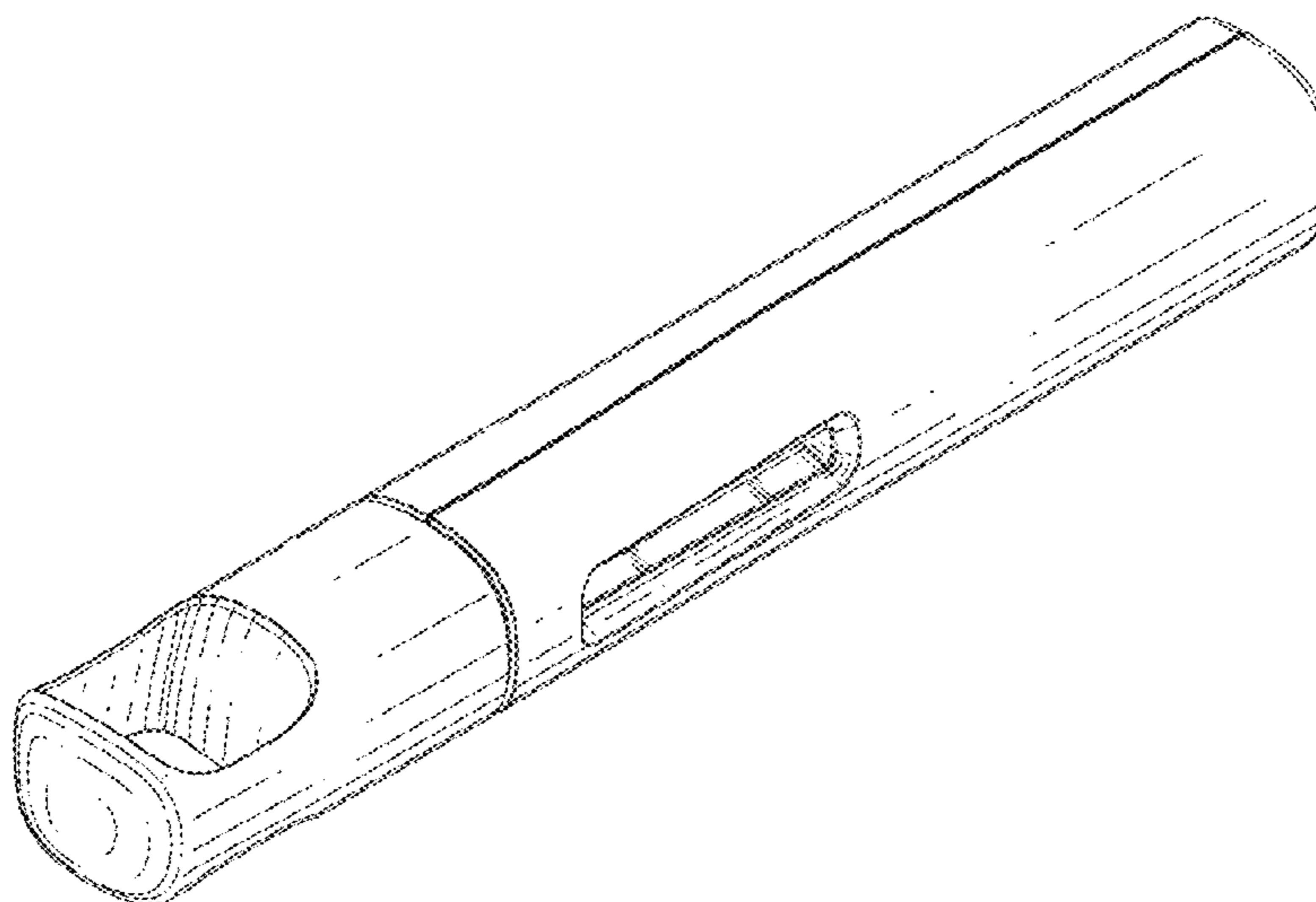
(57) **CLAIM**

The ornamental design for an injector, as shown and described.

**DESCRIPTION**

FIG. 1 is a top, right perspective view of the injector showing our new design, the top, left perspective view being a mirror image thereof;  
FIG. 2 is a front elevational view thereof;  
FIG. 3 is a rear elevational view thereof;  
FIG. 4 is a left side view thereof;  
FIG. 5 is a right side view thereof;  
FIG. 6 is a top plan view thereof; and,  
FIG. 7 is a bottom plan view thereof.

**1 Claim, 7 Drawing Sheets**



(56)

**References Cited**

U.S. PATENT DOCUMENTS

D759,813	S *	6/2016	Newman .....	D24/130
D760,490	S *	7/2016	Johnson .....	D24/224
D773,648	S *	12/2016	Wohlfahrt .....	D24/113
D775,279	S *	12/2016	Shen .....	D19/117
D780,909	S *	3/2017	Burkett .....	D24/113
D790,686	S *	6/2017	Cox .....	D24/112
D793,547	S *	8/2017	Burkett .....	D24/112
D794,777	S *	8/2017	Daniel .....	D24/113
D796,025	S *	8/2017	Lo .....	D24/108
D797,281	S *	9/2017	Ohashi .....	D24/130
2011/0036346	A1 *	2/2011	Cohen .....	A61M 15/0065
				128/200.14
2013/0211330	A1 *	8/2013	Pedersen .....	A61M 5/2033
				604/111
2016/0151586	A1 *	6/2016	Kemp .....	A61M 5/3158
				604/198
2016/0193413	A1 *	7/2016	Gabrielsson .....	A61M 5/2033
				604/135
2016/0331904	A1 *	11/2016	Huthmacher .....	A61M 5/3157
2017/0143917	A1 *	5/2017	Cohen .....	A61M 15/0066

\* cited by examiner

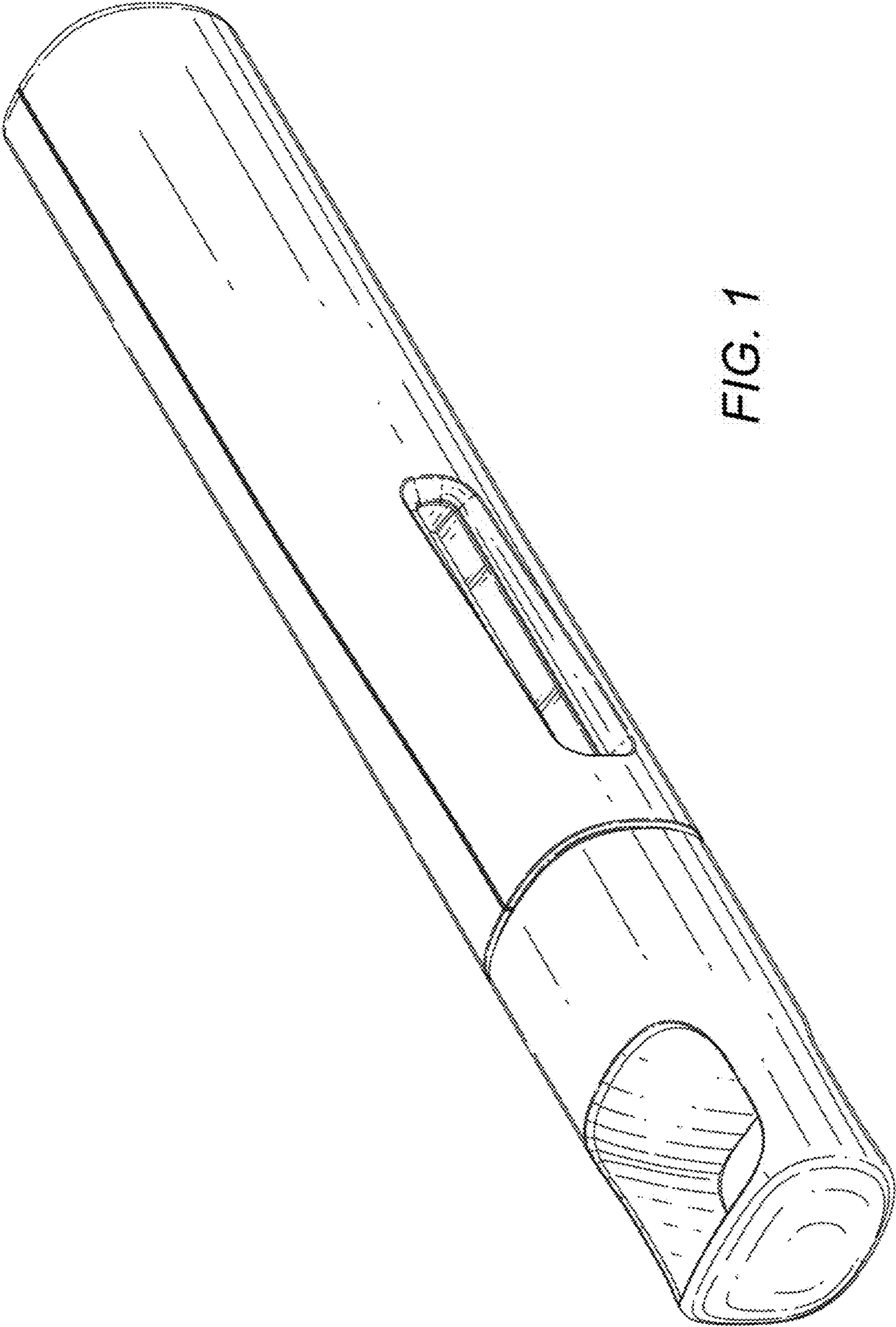


FIG. 1

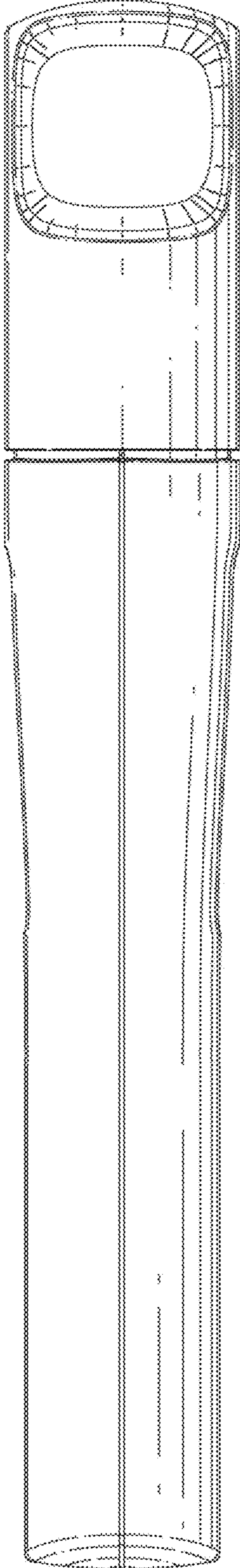
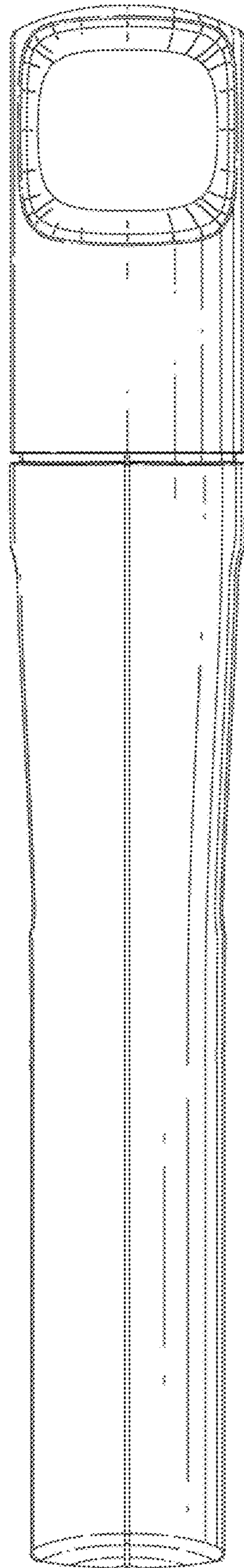


FIG. 2



*FIG. 3*

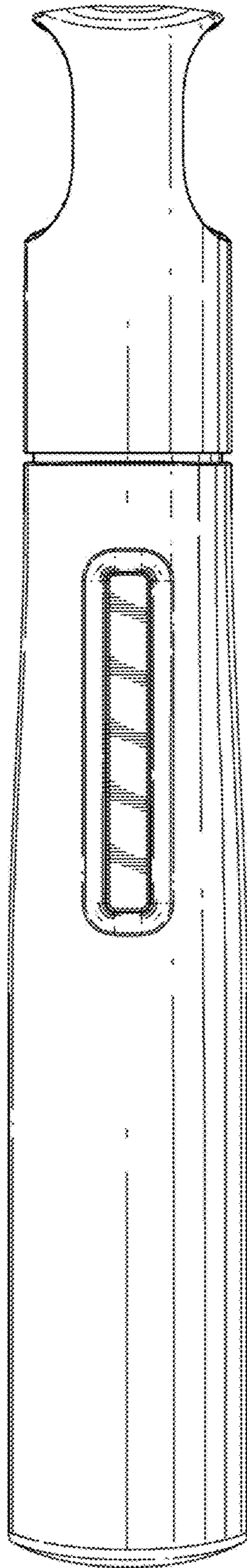


FIG. 4

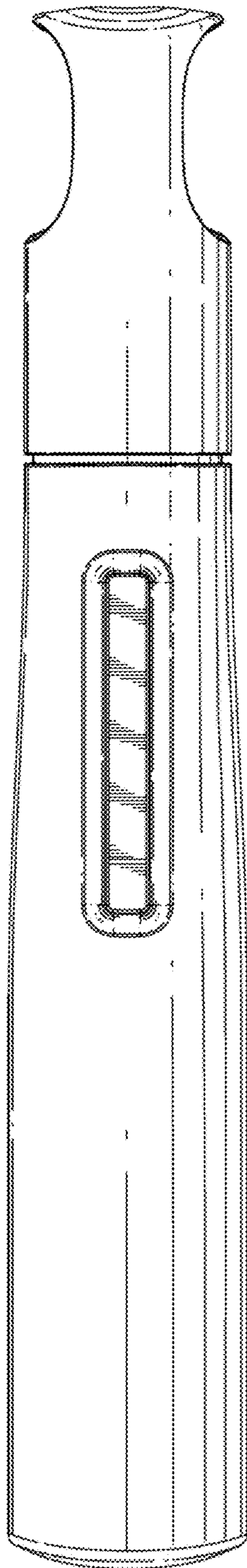
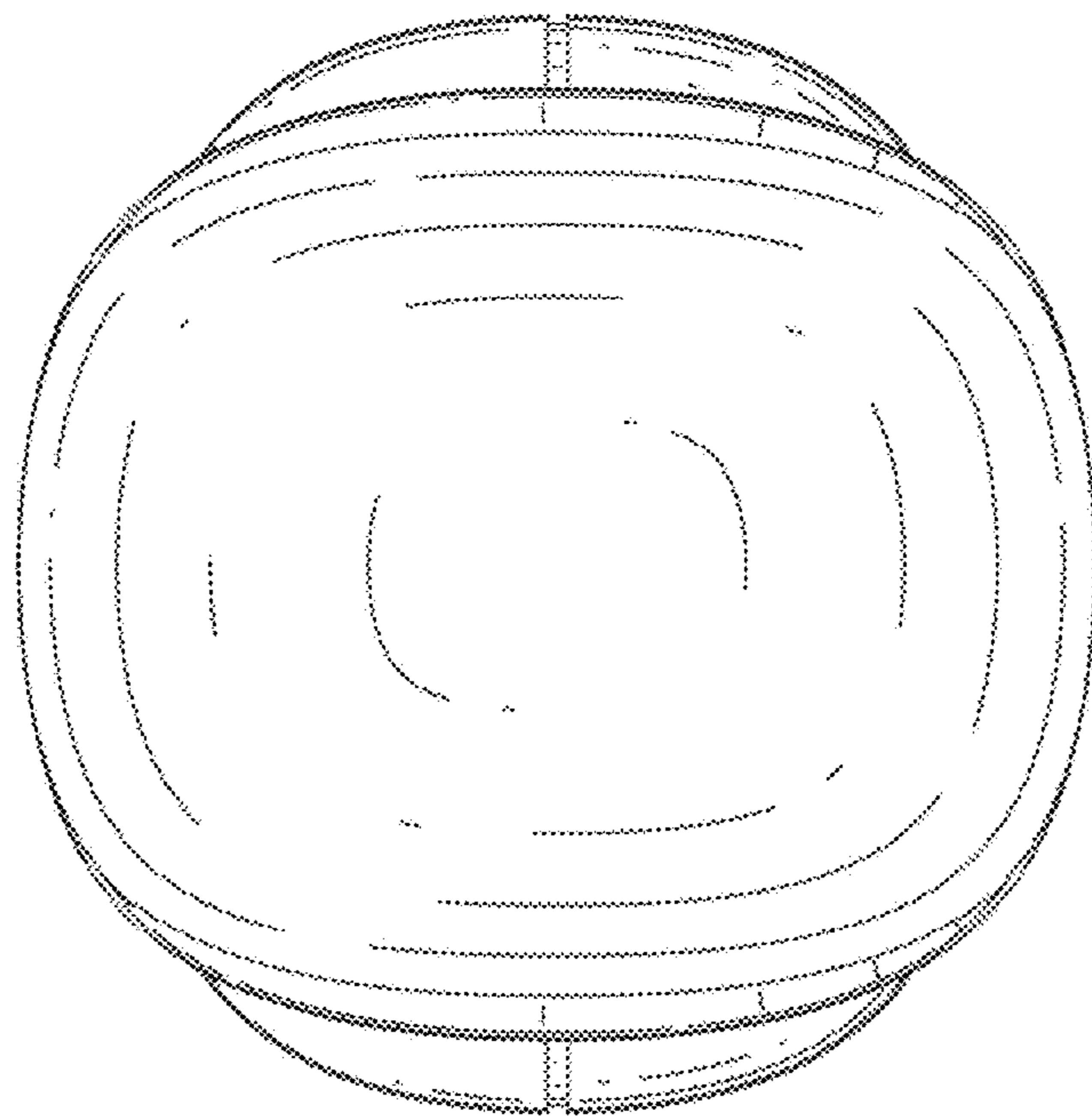
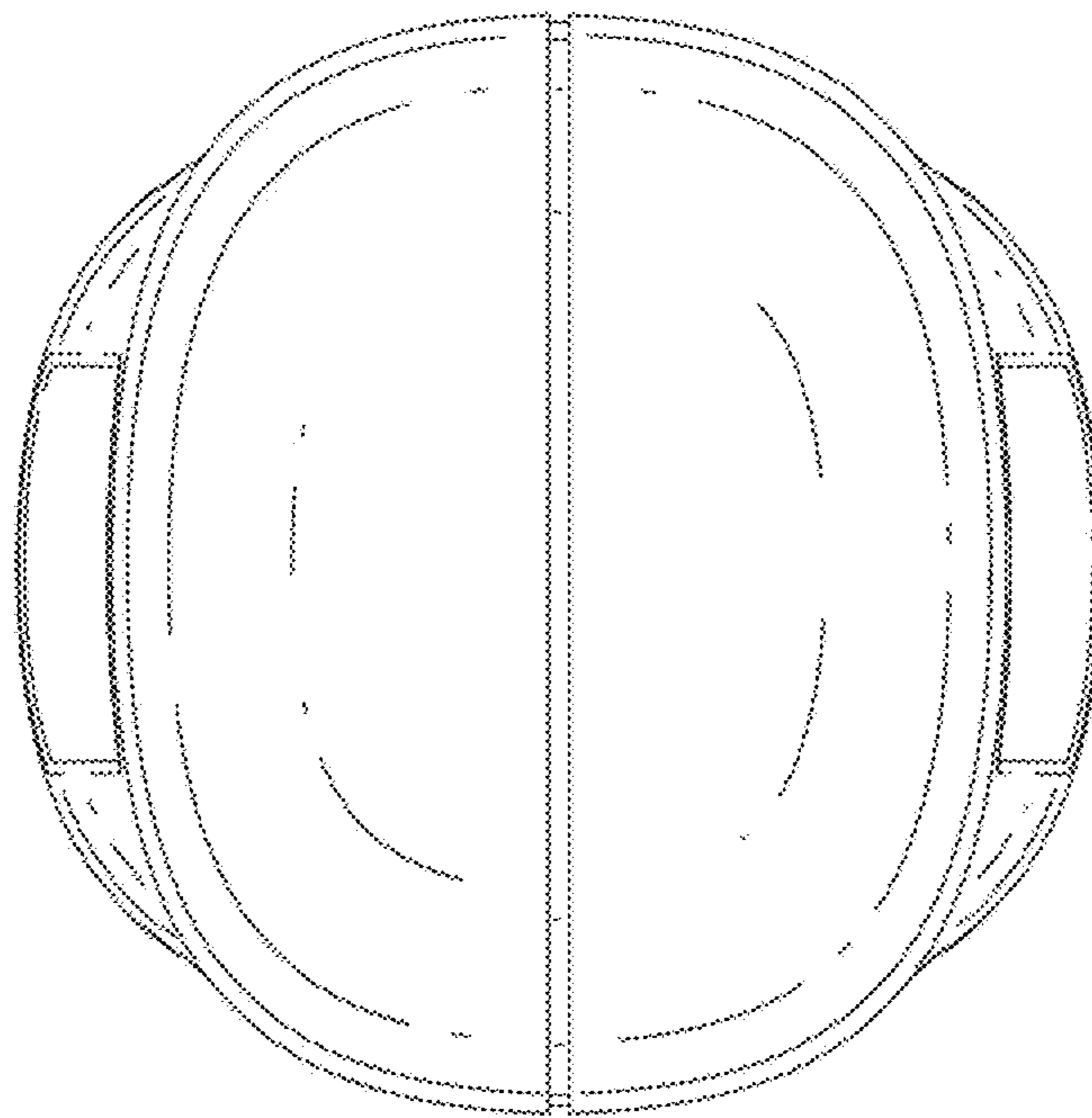


FIG. 5



*FIG. 6*





*FIG. 7*