



US00D819803S

(12) **United States Design Patent**  
**Kheradpir et al.**

(10) **Patent No.:** **US D819,803 S**  
(45) **Date of Patent:** **\*\* Jun. 5, 2018**

- (54) **SUCTION TOOL CONNECTOR**
- (71) Applicants: **Leila Kheradpir**, Toronto (CA); **Kyle Richard Dupont**, Toronto (CA); **Jakub Jankowski**, Toronto (CA); **Suman Uthayanathan**, Toronto (CA)
- (72) Inventors: **Leila Kheradpir**, Toronto (CA); **Kyle Richard Dupont**, Toronto (CA); **Jakub Jankowski**, Toronto (CA); **Suman Uthayanathan**, Toronto (CA)

D327,318 S *	6/1992	Dudar	.....	D24/112
D391,349 S *	2/1998	Chih	.....	D23/229
D501,913 S *	2/2005	Chen	.....	D23/213
D533,642 S *	12/2006	Gilbert	.....	D23/249
D575,377 S *	8/2008	Roman	.....	D23/259
D630,318 S *	1/2011	Goodwin	.....	D24/129
D634,816 S *	3/2011	Qian	.....	D23/259
D687,542 S *	8/2013	Esposito	.....	D24/112
D725,750 S *	3/2015	Mezzalira	.....	D23/259
D792,259 S *	7/2017	Haworth	.....	D10/101

(\*\*) Term: **15 Years**

(21) Appl. No.: **29/588,346**

(22) Filed: **Dec. 20, 2016**

(51) **LOC (11) Cl.** ..... **24-02**

(52) **U.S. Cl.**  
USPC ..... **D24/112**

(58) **Field of Classification Search**  
 USPC ..... D24/108, 112, 114, 127, 128, 129, 130, D24/133, 141, 146, 147, 152, 186, 214, D24/215; D23/129, 223, 249, 259, 262; D8/93, 97, 300, 310, 311  
 CPC ..... A61B 1/00094; A61M 2005/1583; A61M 2005/1586; A61M 2005/3227; A61M 5/158; A61M 5/1582; A61M 5/3243; A61M 25/0606; A61M 25/0612; A61M 25/0631; A61M 25/0637; E05D 2011/1035  
 See application file for complete search history.

(56) **References Cited**

**U.S. PATENT DOCUMENTS**

D239,019 S *	3/1976	Flinn	.....	D24/129
D326,322 S *	5/1992	Clegg	.....	D24/112

**OTHER PUBLICATIONS**

lasertools.co.uk, spline bit M17, online product page, retrieved Aug. 23, 2017 from URL: <http://www.lasertools.co.uk/product/5218>.\*

\* cited by examiner

*Primary Examiner* — Sheryl Lane

*Assistant Examiner* — Calvin E Vansant

(74) *Attorney, Agent, or Firm* — Perry + Currier Inc.

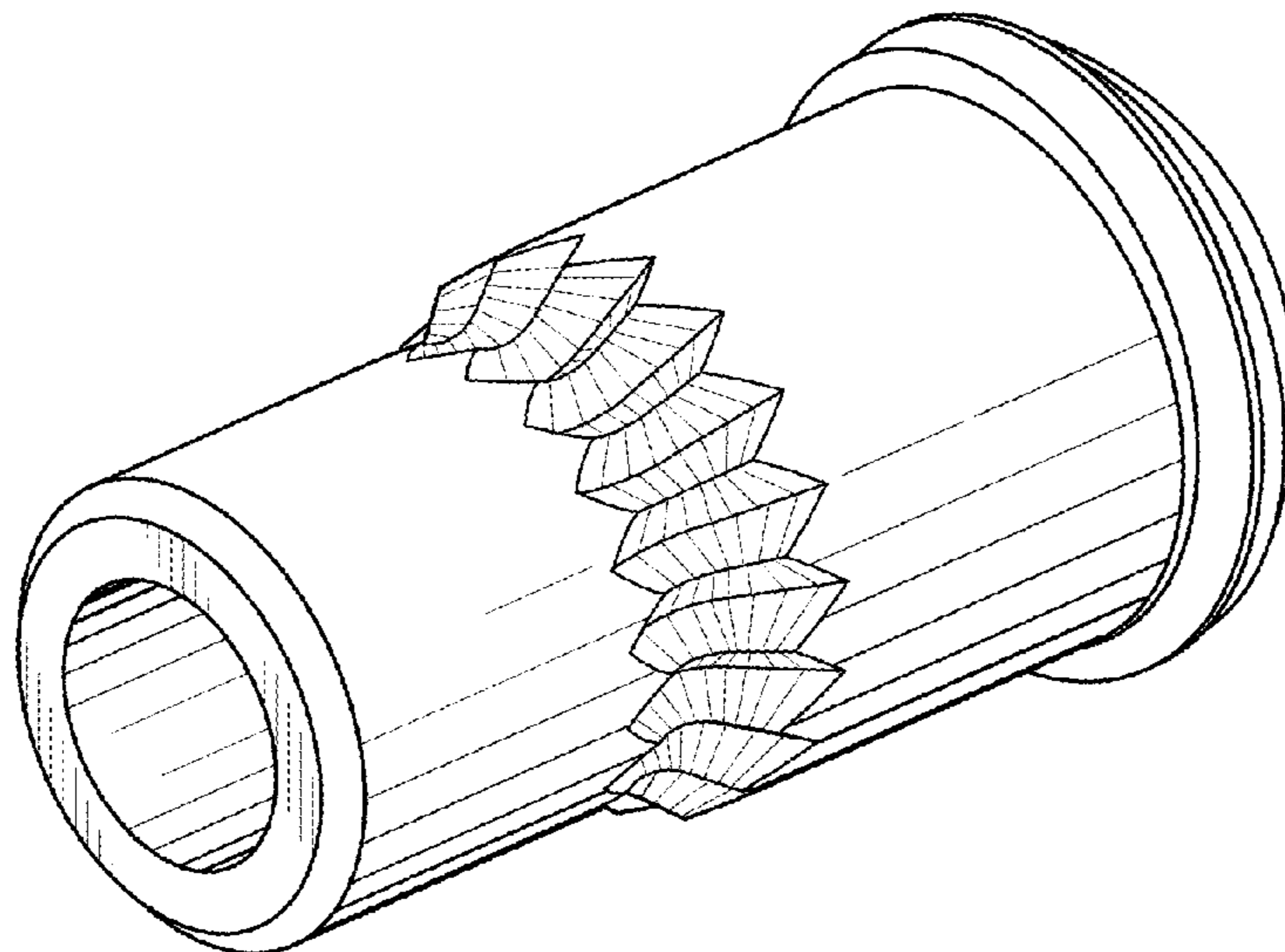
(57) **CLAIM**

We claim the ornamental design for a suction tool connector, as shown and described.

**DESCRIPTION**

FIG. 1 is a front perspective view of a suction tool connector, showing our new design;  
 FIG. 2 is an enlarged right side elevation view thereof;  
 FIG. 3 is an enlarged front elevation view thereof;  
 FIG. 4 is an enlarged left side elevation view thereof;  
 FIG. 5 is an enlarged back elevation view thereof;  
 FIG. 6 is an enlarged top plan view thereof; and,  
 FIG. 7 is an enlarged back perspective view thereof.  
 The broken lines depict portions of the suction tool connector that form no part of the claim.

**1 Claim, 7 Drawing Sheets**



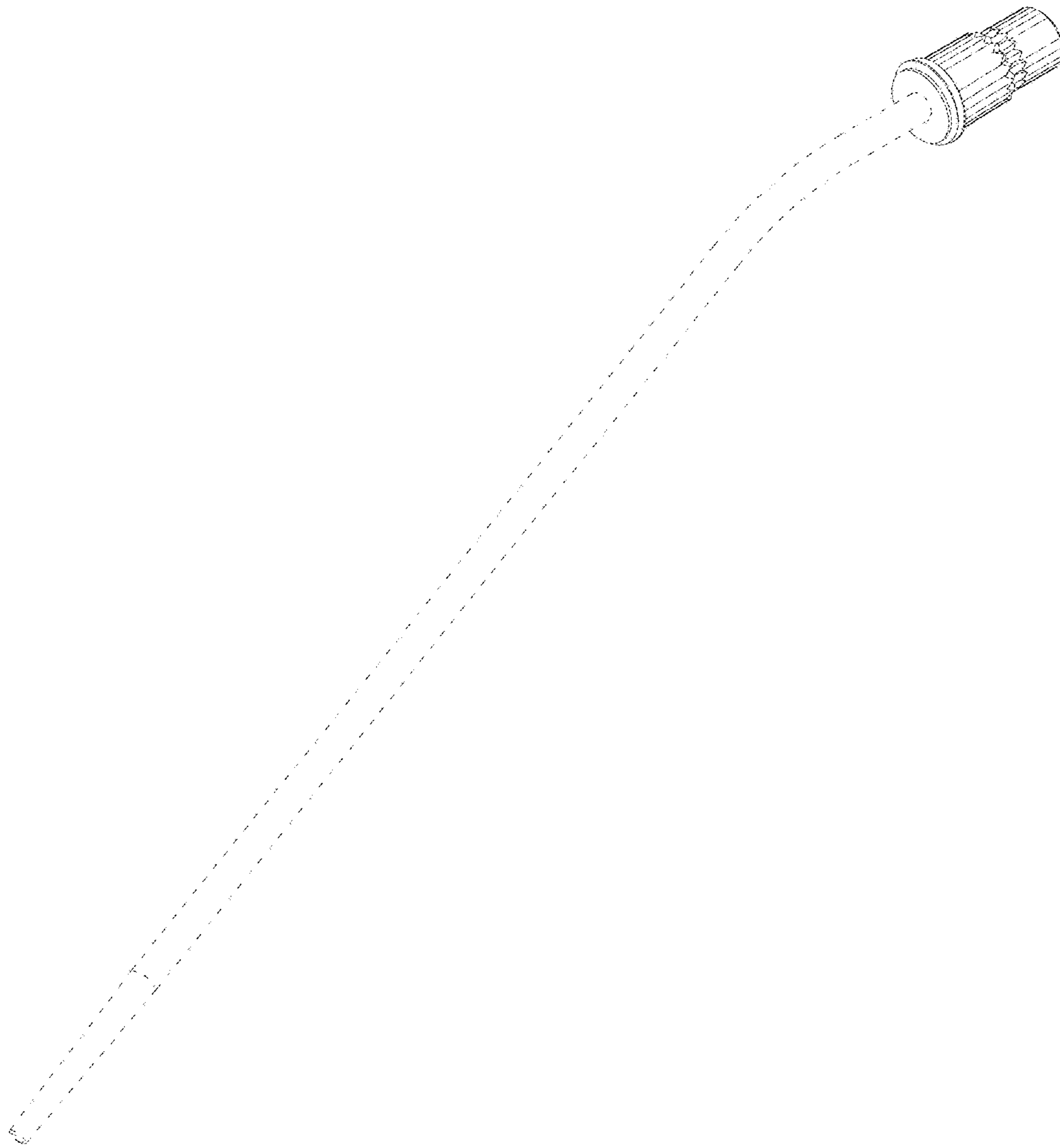


FIG.1

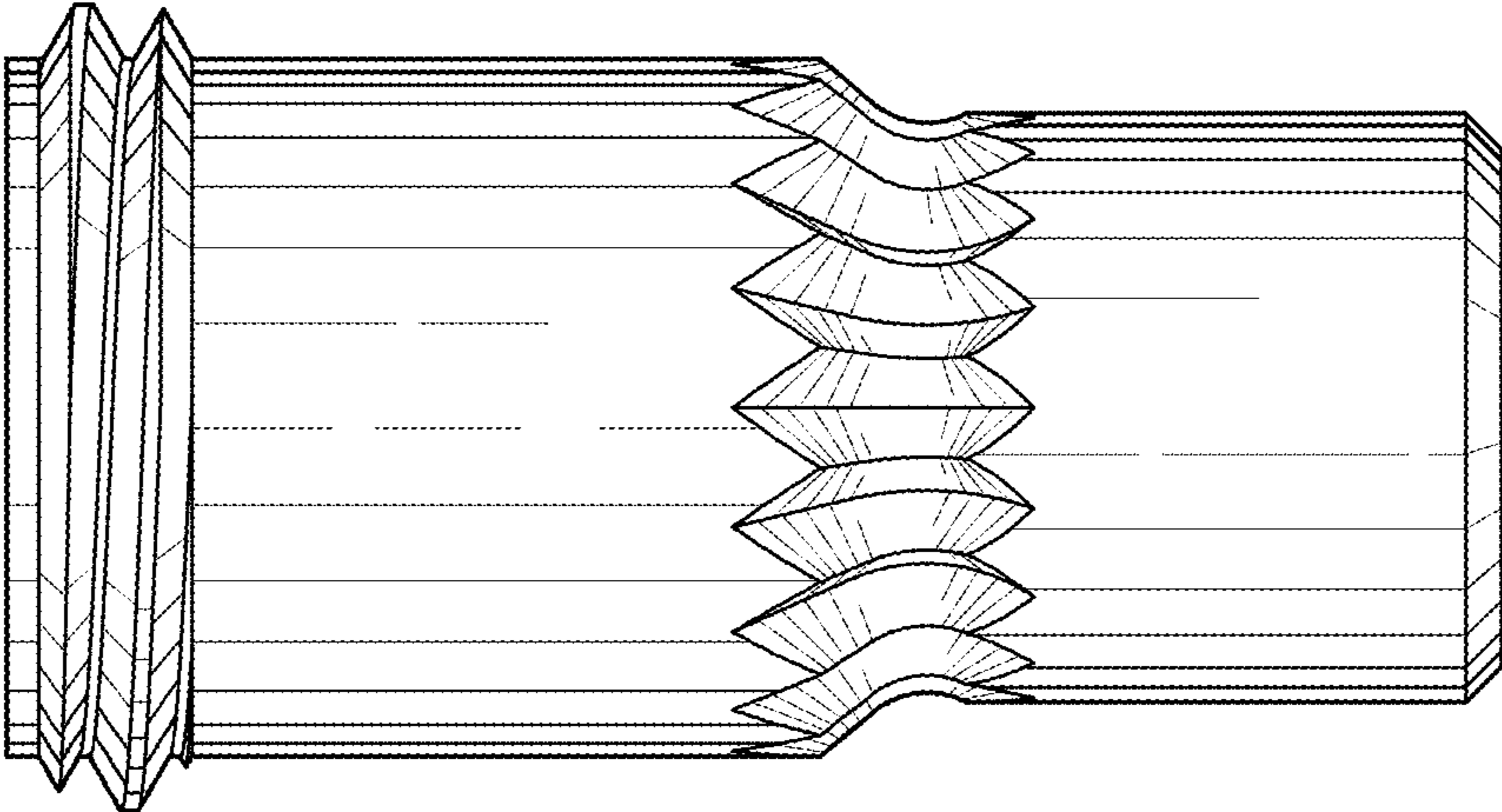


FIG.2

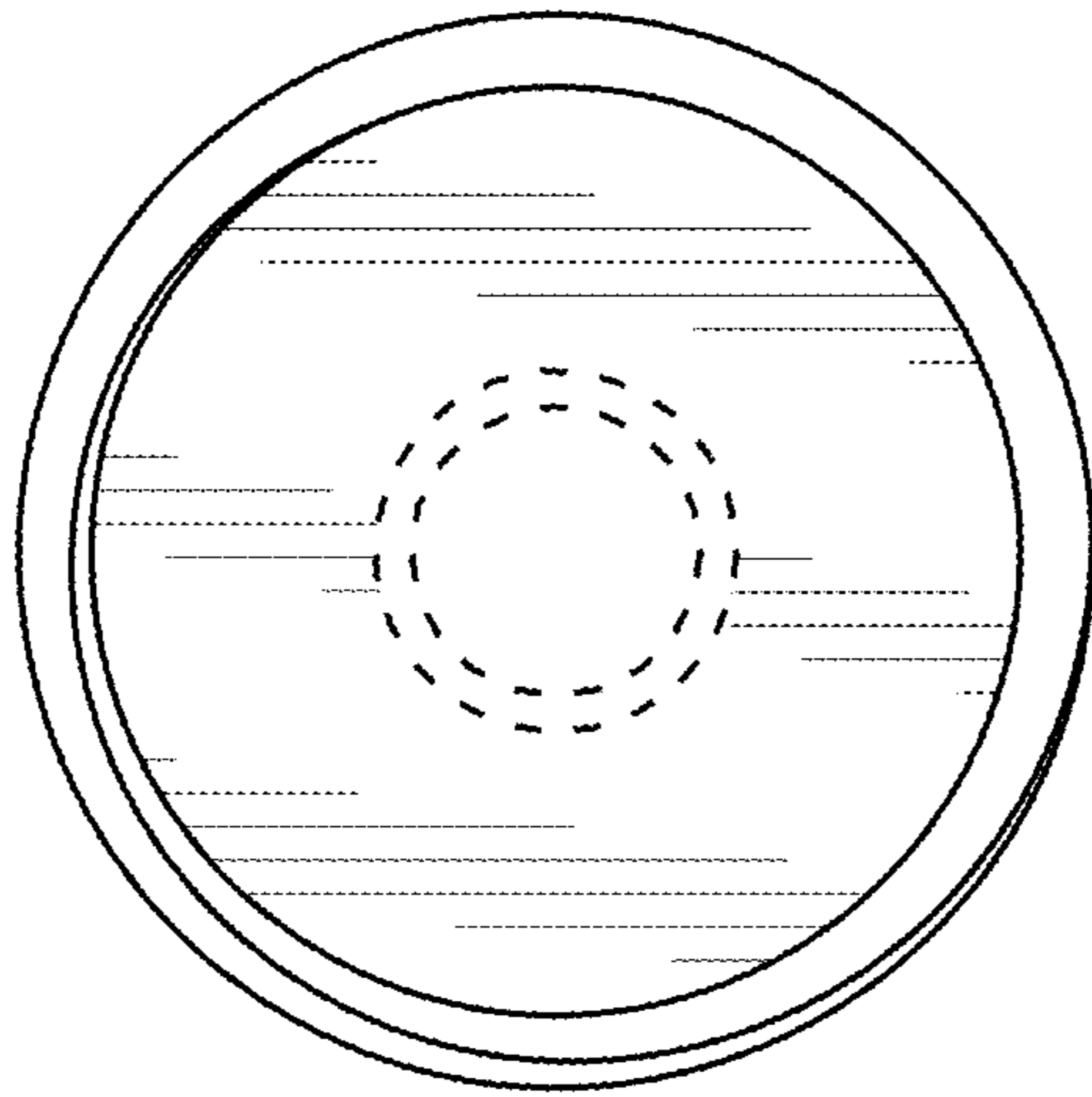


FIG.3

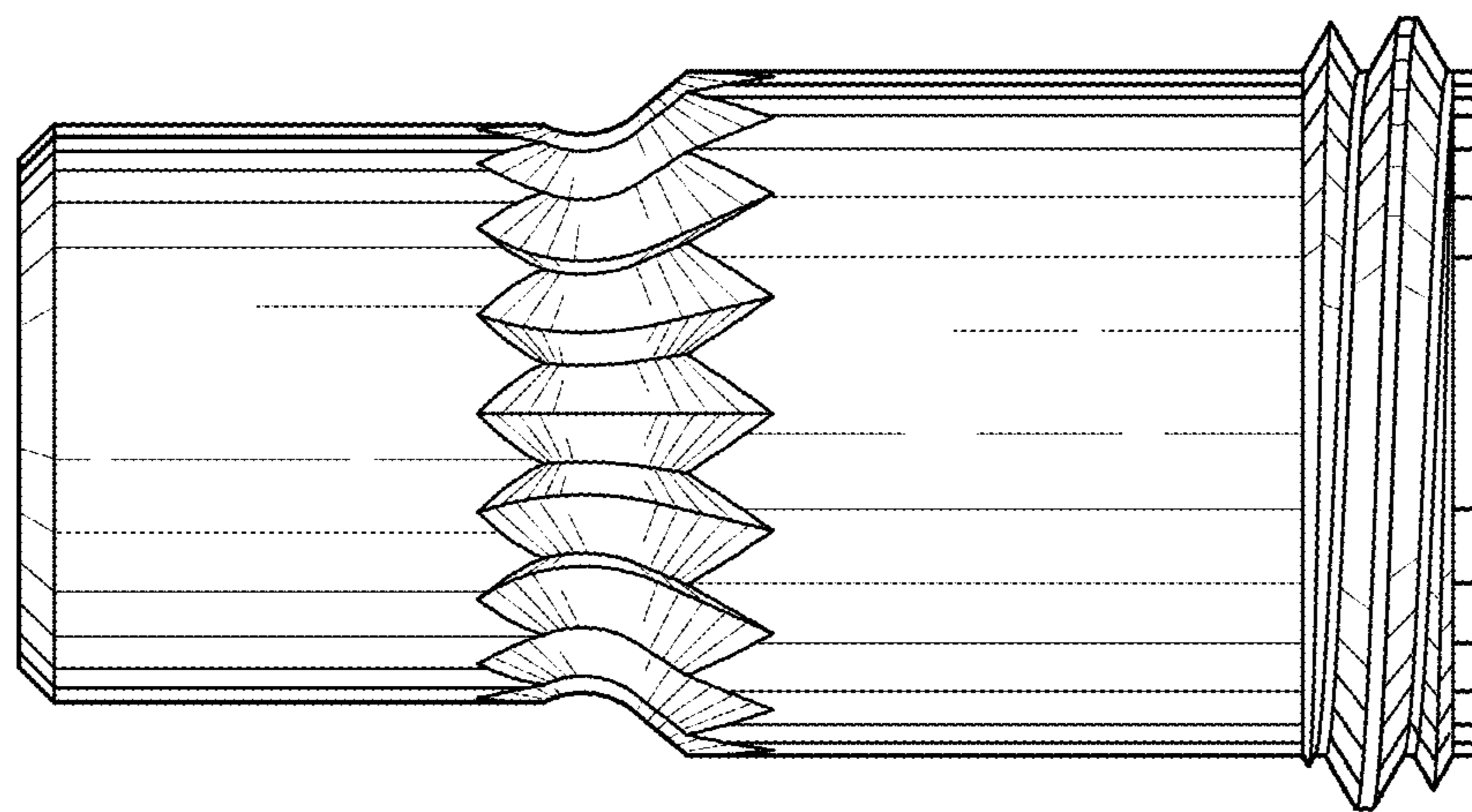


FIG.4

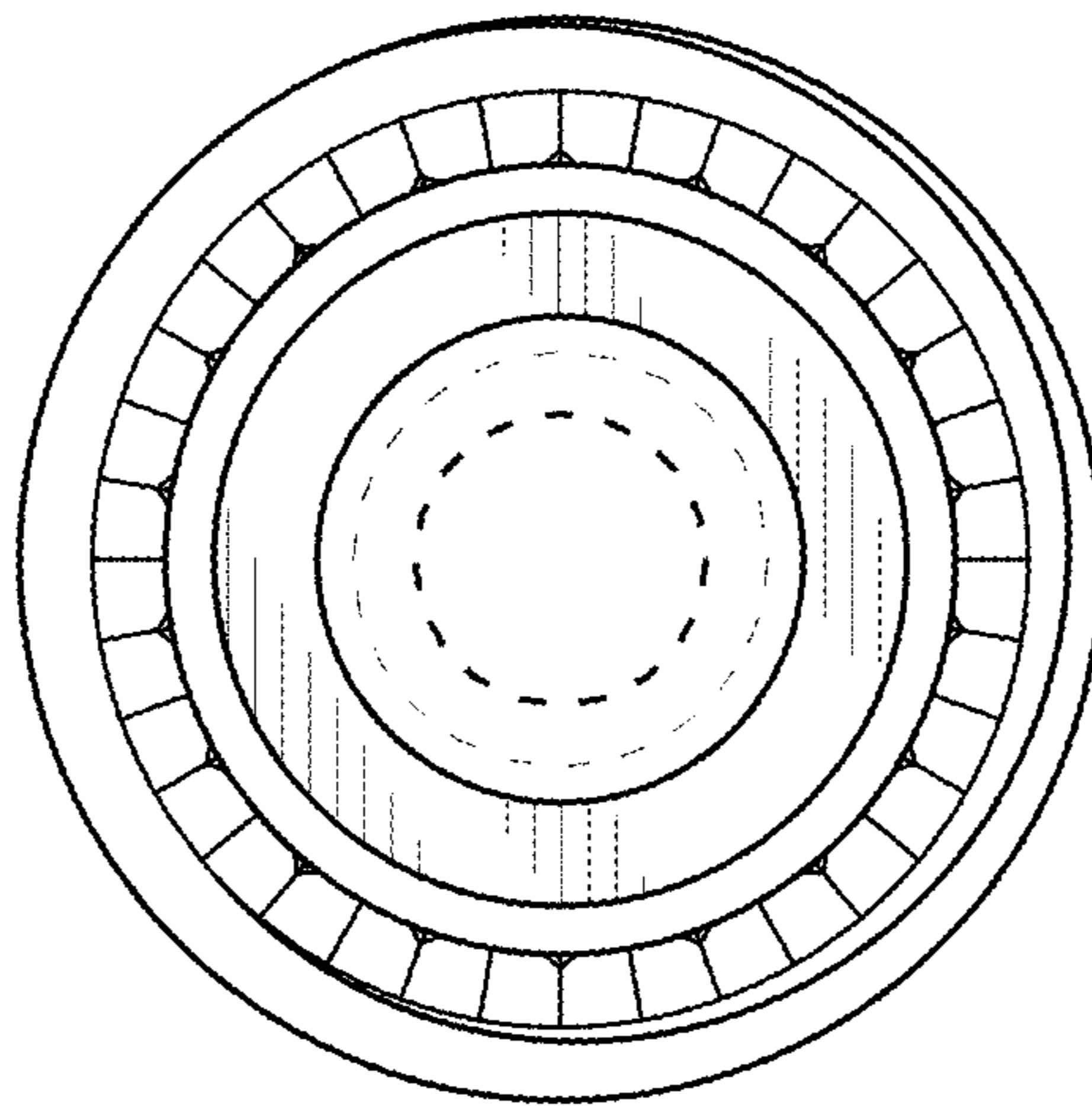


FIG. 5

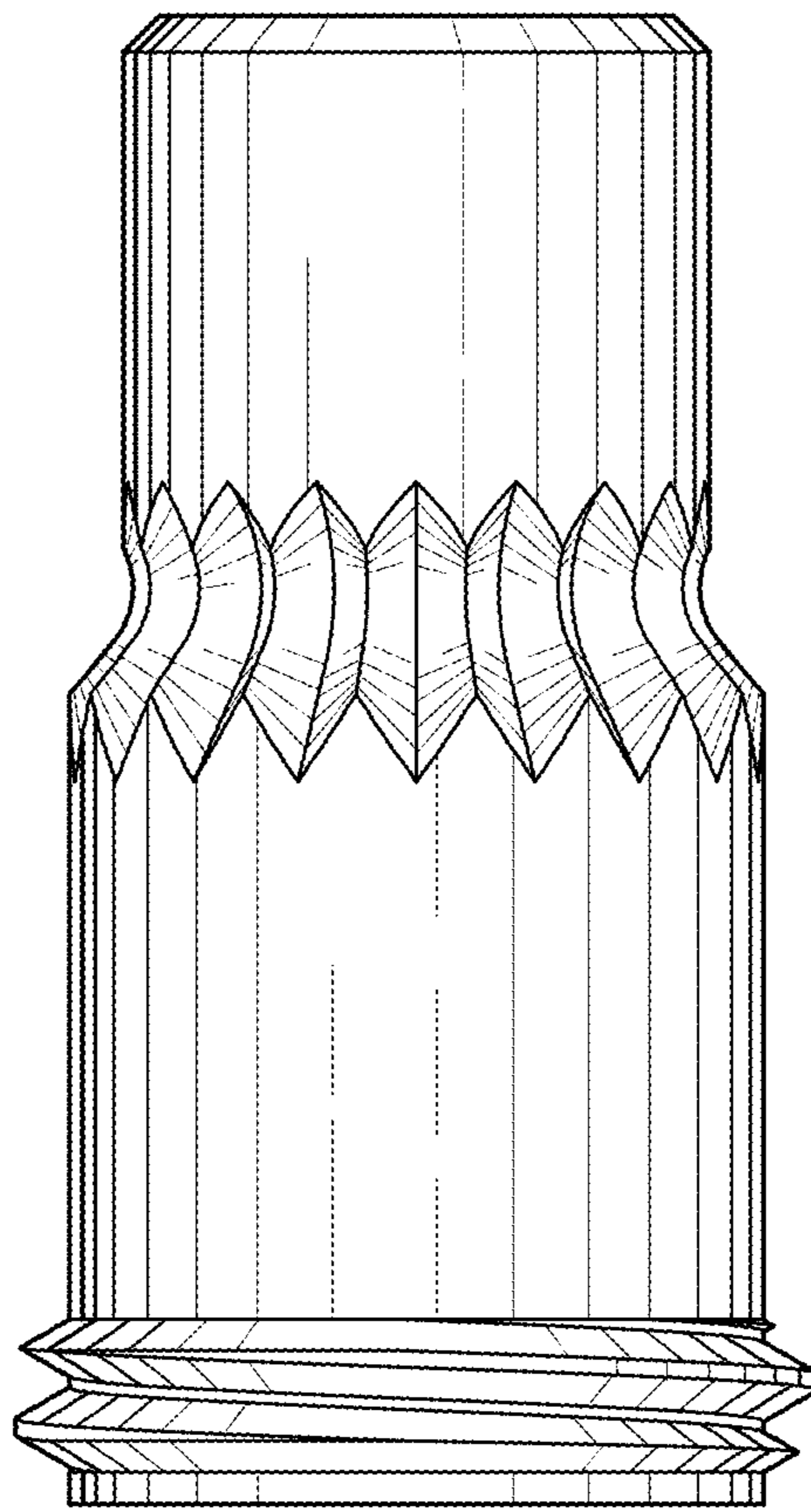


FIG.6



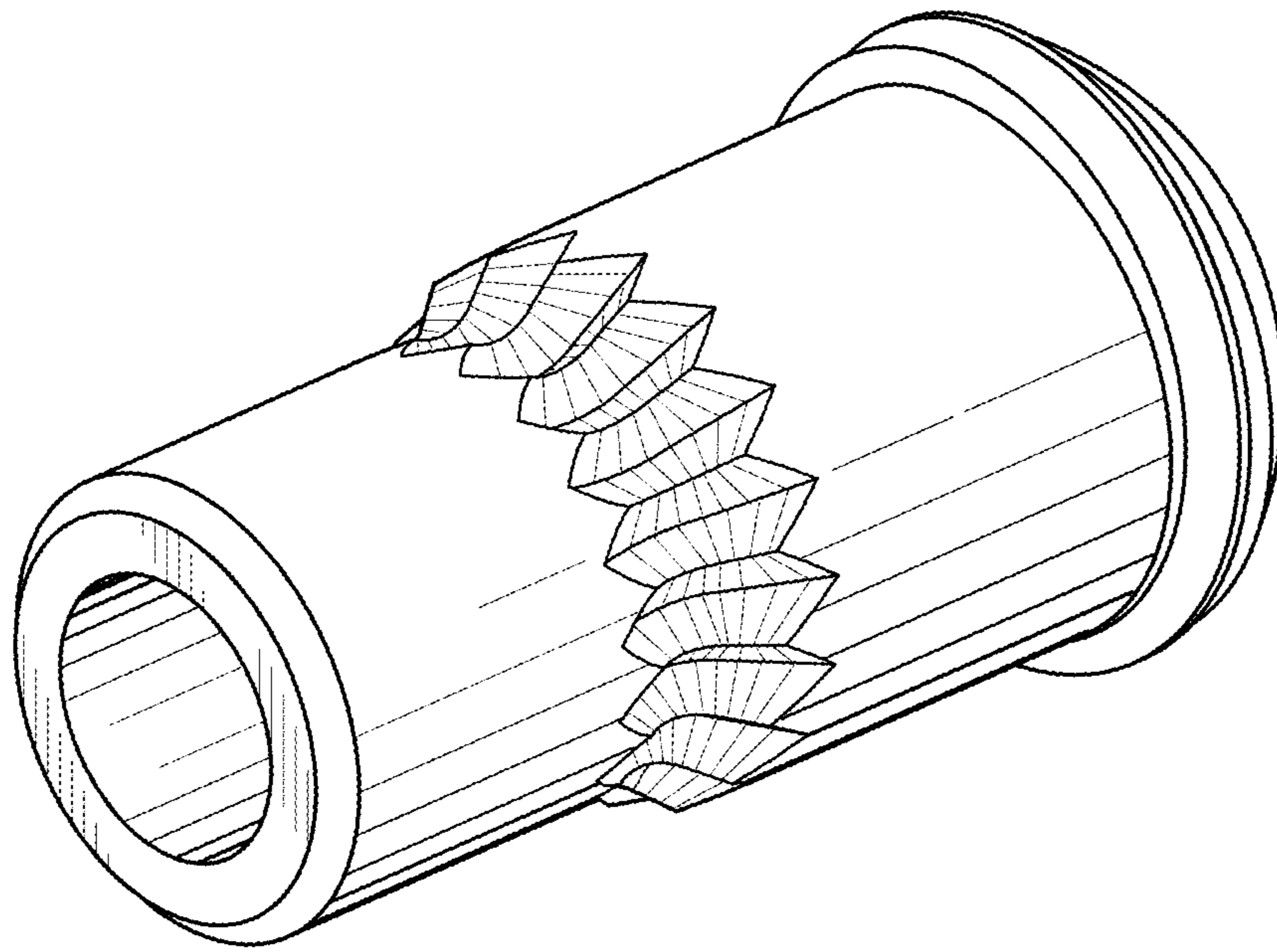


FIG.7