



US00D819800S

(12) **United States Design Patent**
Tuan

(10) **Patent No.:** **US D819,800 S**
(45) **Date of Patent:** **** Jun. 5, 2018**

- (54) **MASK**
- (71) Applicant: **Ronald Tuan**, Nantou County (TW)
- (72) Inventor: **Ronald Tuan**, Nantou County (TW)
- (**) Term: **15 Years**
- (21) Appl. No.: **29/543,126**
- (22) Filed: **Oct. 21, 2015**
- (51) **LOC (11) Cl.** **29-02**
- (52) **U.S. Cl.**
USPC **D24/110.1**
- (58) **Field of Classification Search**
USPC D24/110.1-110.2; D29/108-110
CPC A62B 18/025; A62B 23/25; A41D 13/11;
A41D 13/1107; A41D 13/1115; A41D
13/113; A41D 13/1161
See application file for complete search history.

(56) **References Cited**

U.S. PATENT DOCUMENTS

D219,082 S *	10/1970	Bird	D24/110.1
3,613,678 A *	10/1971	Mayhew	A41D 13/1115 128/206.19
3,971,369 A *	7/1976	Aspelin	A41D 13/1115 128/206.19
3,985,132 A *	10/1976	Boyce	A41D 13/1115 128/206.19
D249,072 S *	8/1978	Revoir	128/206.16
4,300,549 A *	11/1981	Parker	A41D 13/1115 128/206.12
4,802,473 A *	2/1989	Hubbard	A41D 13/1115 128/206.13
4,920,960 A *	5/1990	Hubbard	A41D 13/1115 128/206.12
5,553,608 A *	9/1996	Reese	A41D 13/1115 128/206.19
5,636,628 A *	6/1997	Barnum	A41D 13/1115 128/206.12

5,699,792 A *	12/1997	Reese	A41D 13/1115 128/206.19
D393,904 S *	4/1998	Miura	D24/206
5,803,075 A *	9/1998	Yavitz	A41D 13/1115 128/201.17
5,813,398 A *	9/1998	Baird	A41D 13/1115 128/201.15
D400,674 S *	11/1998	Miura	D24/110.1
5,891,508 A *	4/1999	Barnum	A41D 13/1115 128/206.12

(Continued)

Primary Examiner — Barbara Fox
Assistant Examiner — Lilyana Bekic
(74) *Attorney, Agent, or Firm* — Bruce Stone LLP;
Joseph Bruce

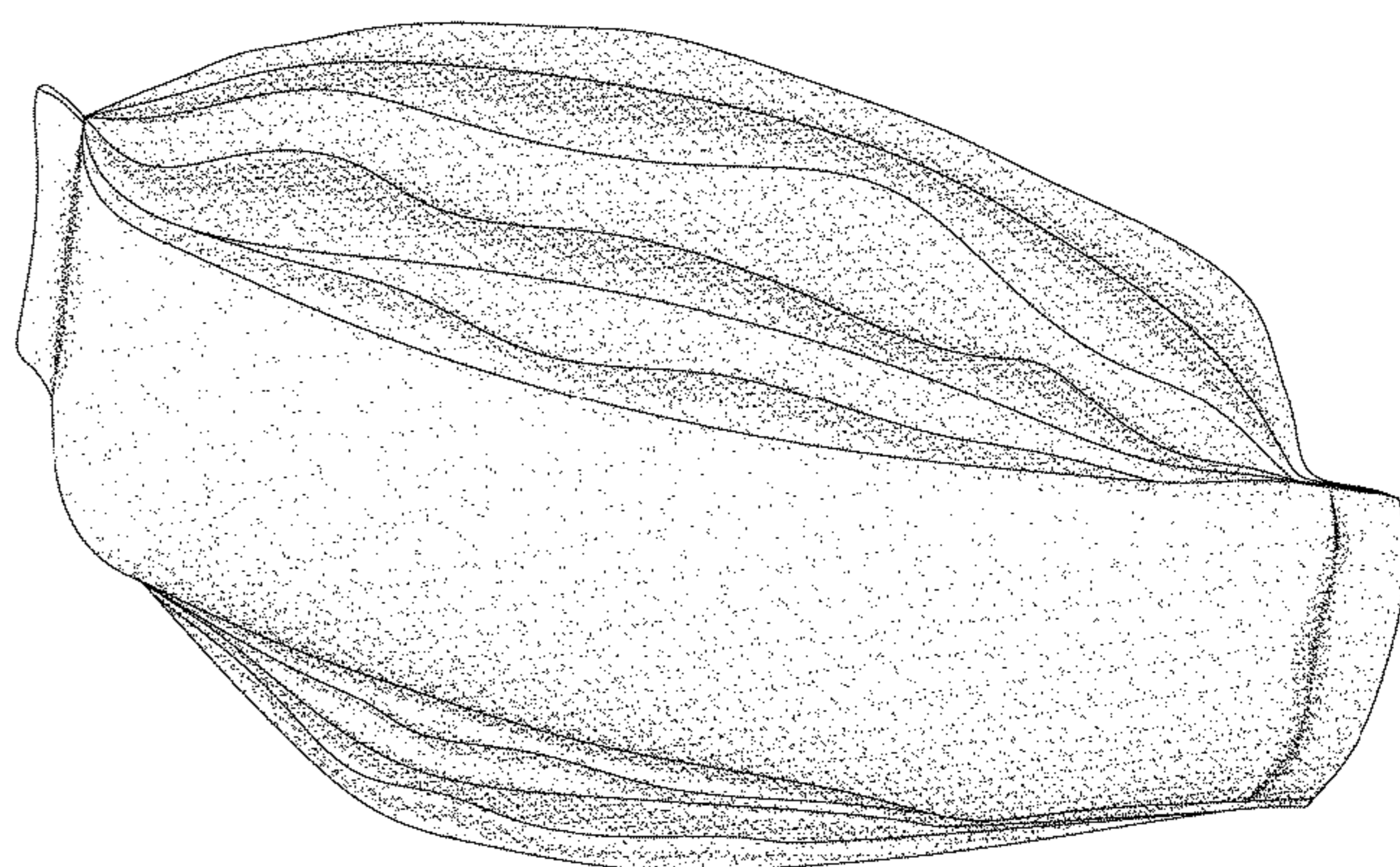
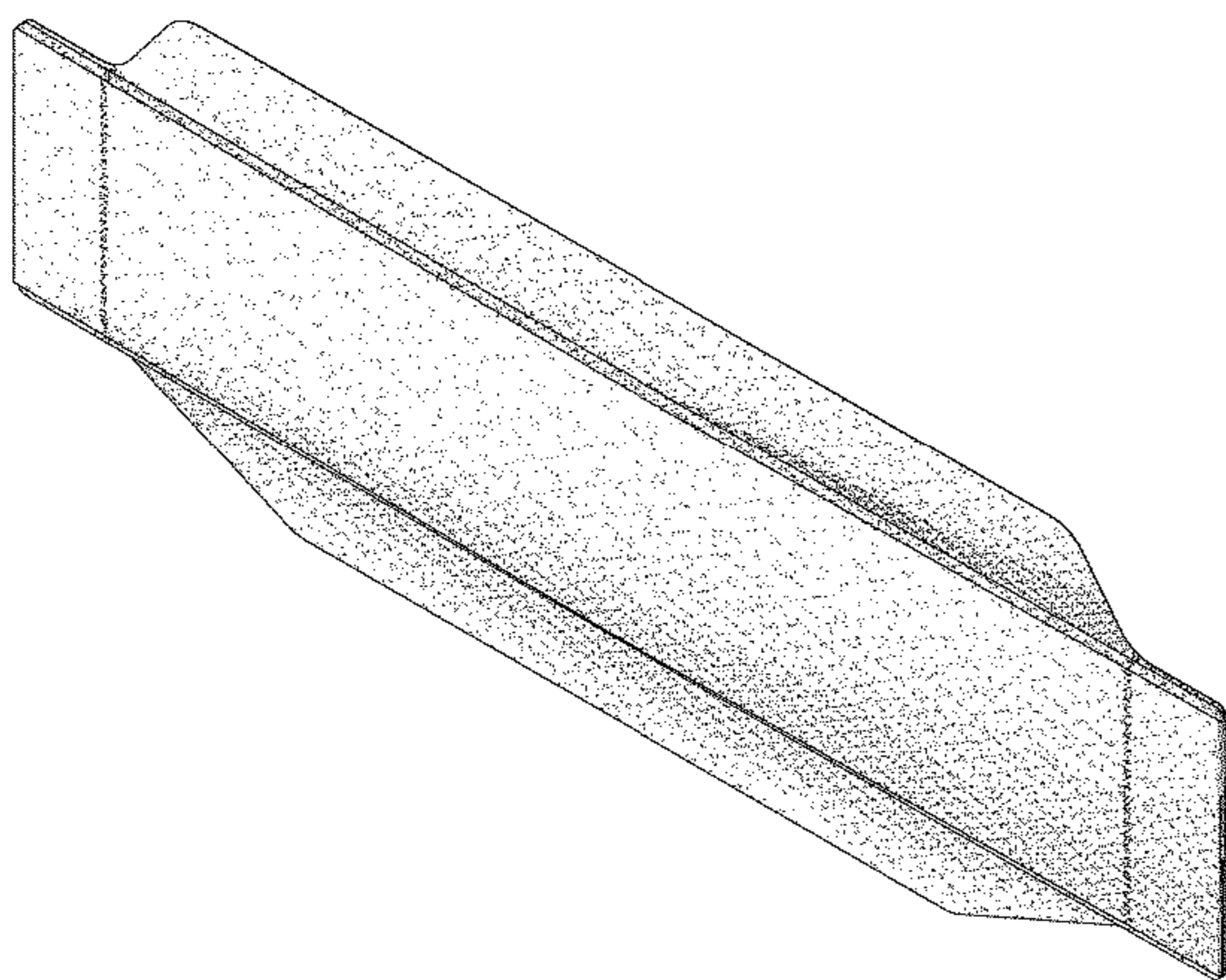
(57) **CLAIM**

The ornamental design for a mask, as shown and described.

DESCRIPTION

FIG. 1 is a perspective view of a mask showing my new design;
 FIG. 2 is a front view thereof;
 FIG. 3 is a rear view thereof;
 FIG. 4 is a right side view thereof, the left side view being a mirror image;
 FIG. 5 is a top plan view thereof, the bottom plan view being a mirror image;
 FIG. 6 is another perspective view being used, shown in an alternate position;
 FIG. 7 is an enlarged cross-sectional view taken along section line 7-7 of FIG. 2;
 FIG. 8 is an enlarged view of the portion encircled in FIG. 4; and,
 FIG. 9 is an enlarged view of the portion encircled in FIG. 5.
 The broken lines in the drawings depict portions of the mask that form no part of claimed design.

1 Claim, 9 Drawing Sheets



(56)

References Cited

U.S. PATENT DOCUMENTS

5,927,280 A * 7/1999 Miyake A41D 13/1115
128/206.12

6,062,220 A * 5/2000 Whitaker A41D 13/11
128/206.12

6,945,249 B2 * 9/2005 Griesbach, III ... A41D 13/1146
128/206.12

7,210,482 B2 * 5/2007 Huang A41D 13/1115
128/205.25

D693,062 S * 11/2013 Bowen D29/108

2009/0205666 A1 * 8/2009 Bowen A41D 13/1107
128/206.13

2010/0051032 A1 * 3/2010 Kim A62B 23/025
128/206.19

2014/0076334 A1 * 3/2014 Cheng A61B 46/00
128/857

2014/0237695 A1 * 8/2014 Al Malki A41D 13/11
2/9

2014/0326255 A1 * 11/2014 Teng A41D 13/1115
128/863

2015/0056102 A1 * 2/2015 Yamada B01D 39/16
422/120

2016/0015098 A1 * 1/2016 Conlon A62B 23/025
128/863

2016/0029715 A1 * 2/2016 Zheng A41D 13/11
128/863

2016/0151650 A1 * 6/2016 Reese A62B 23/025
128/863

2017/0208876 A1 * 7/2017 Al Malki A41D 13/1138

* cited by examiner

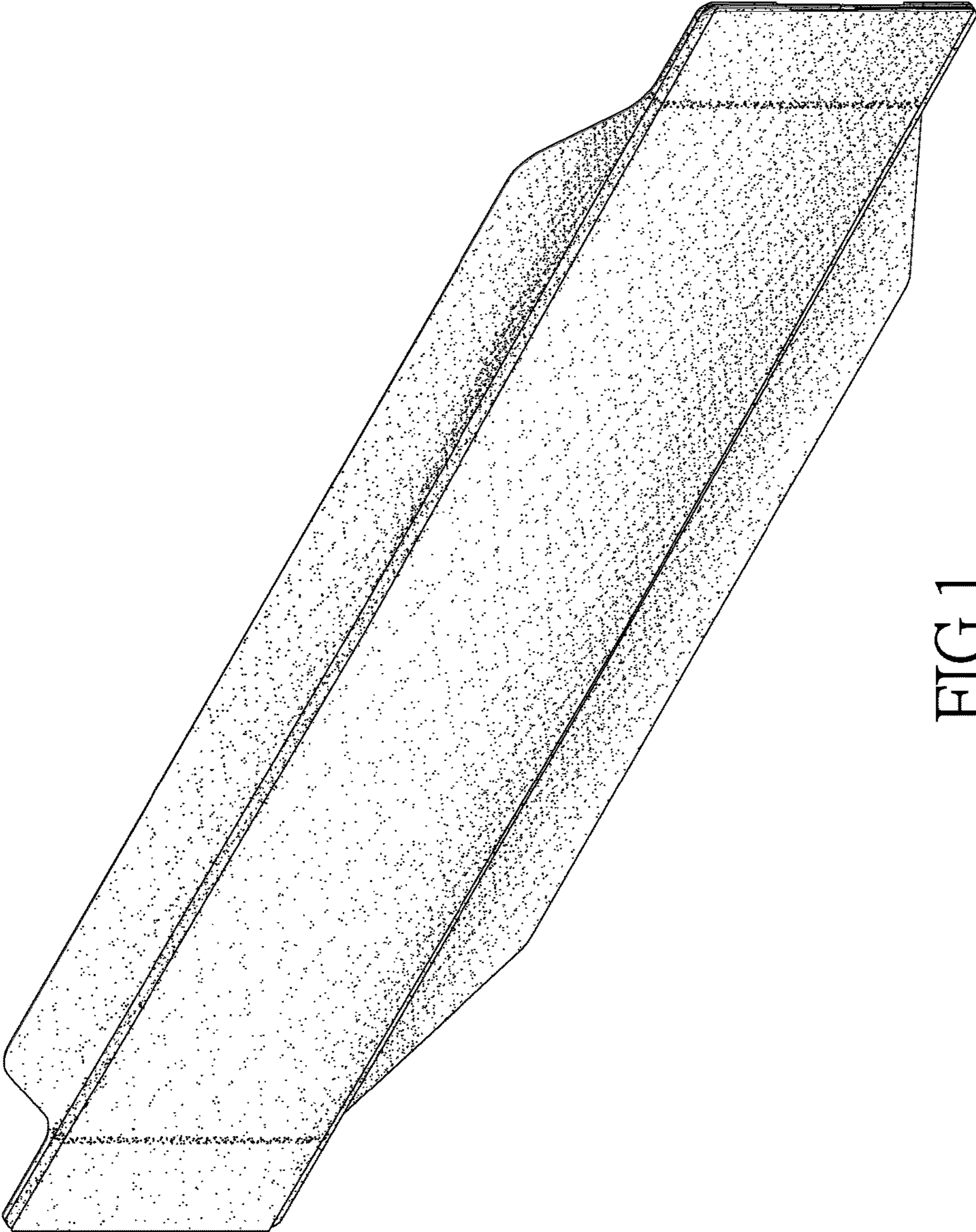


FIG. 1

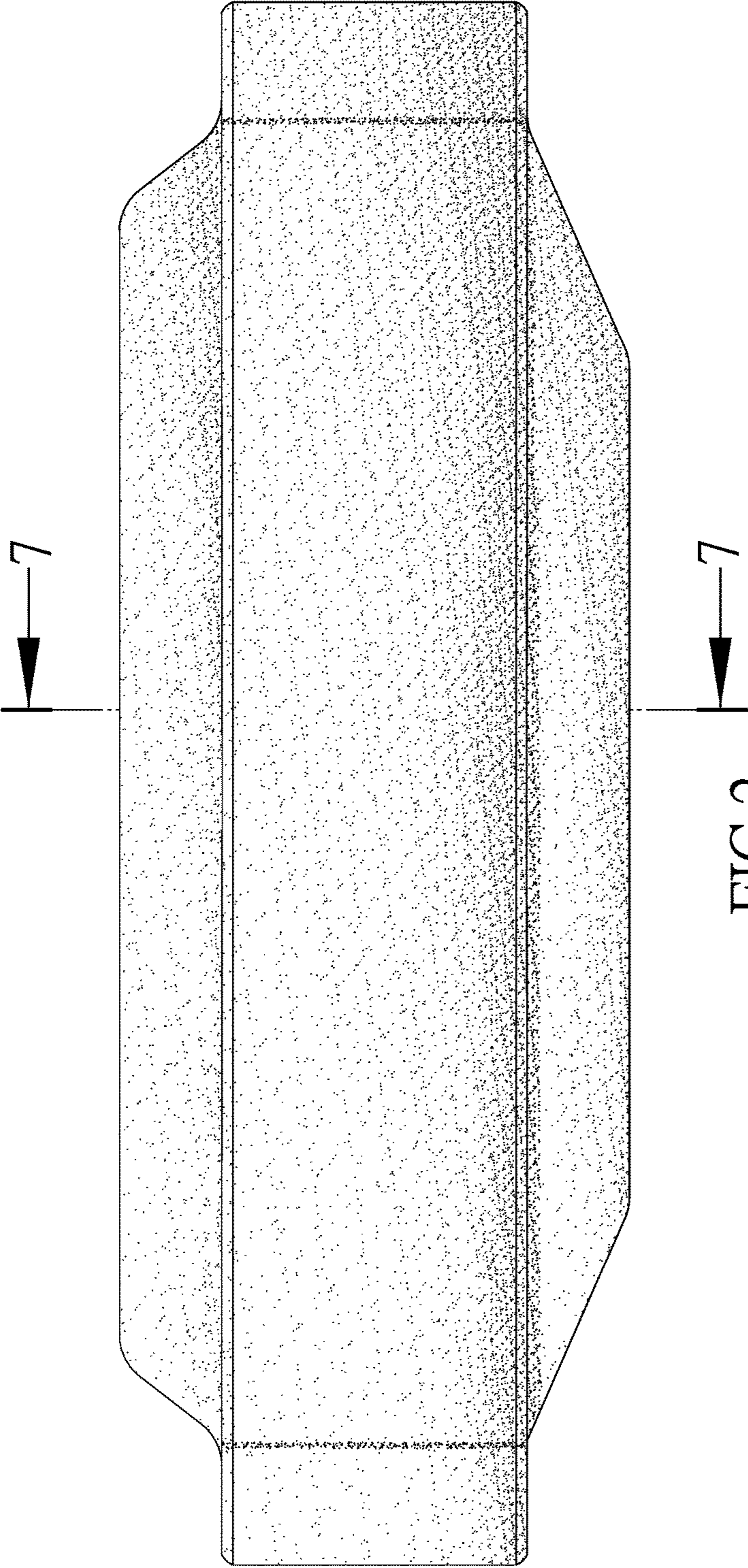


FIG.2

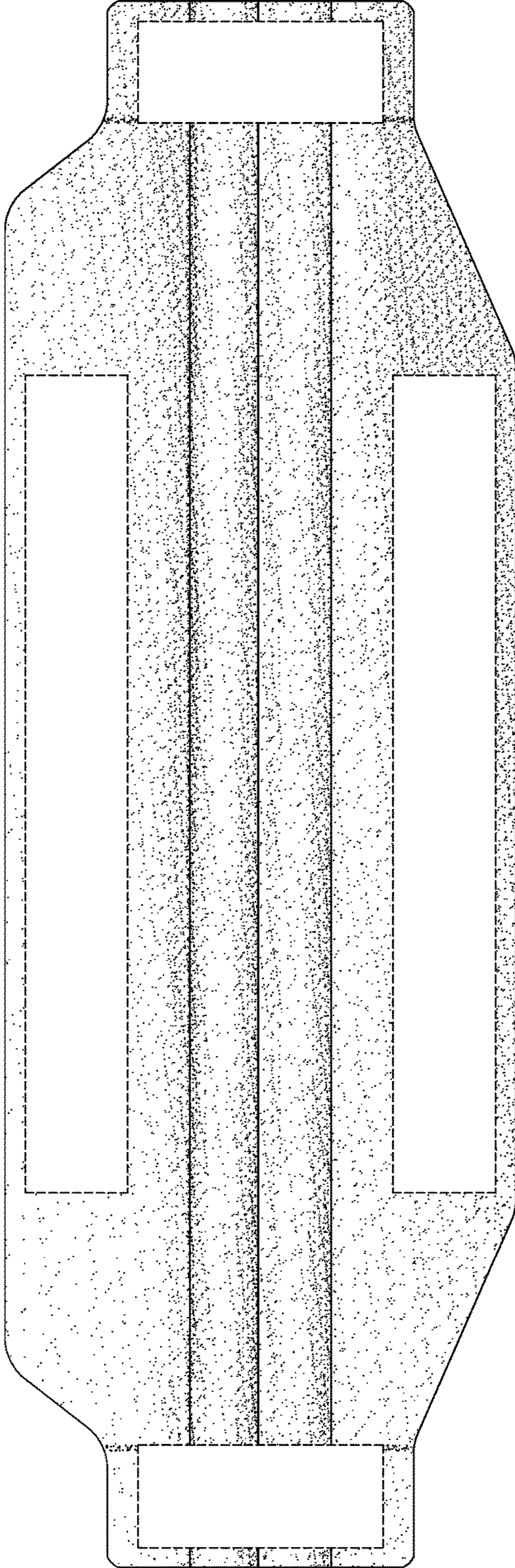


FIG.3

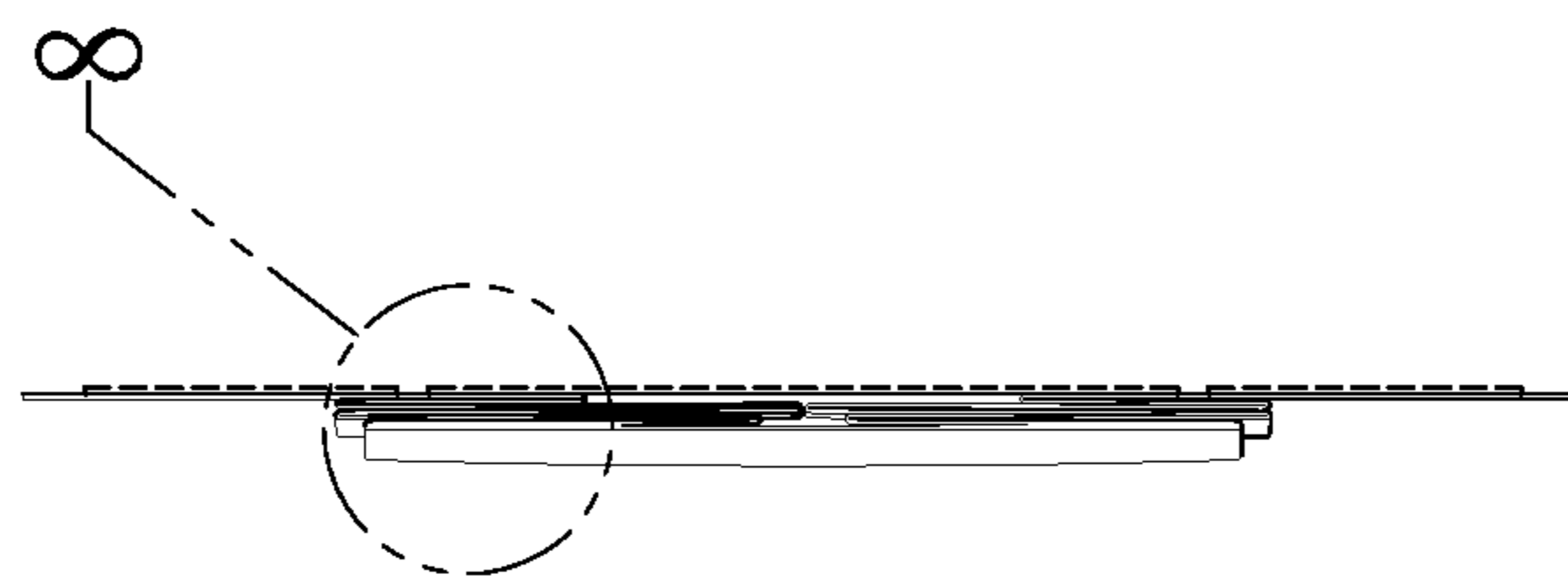


FIG.4

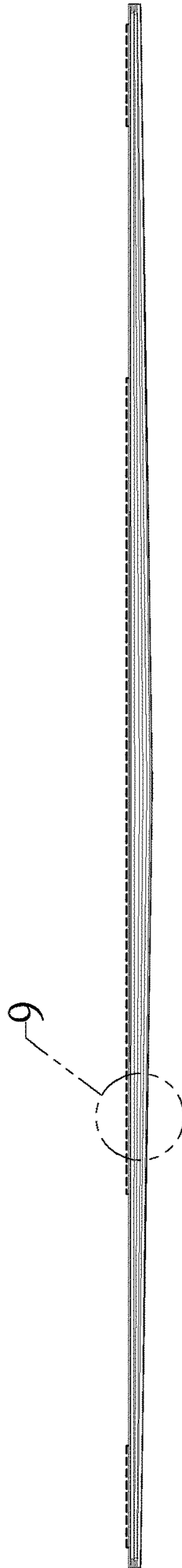


FIG.5

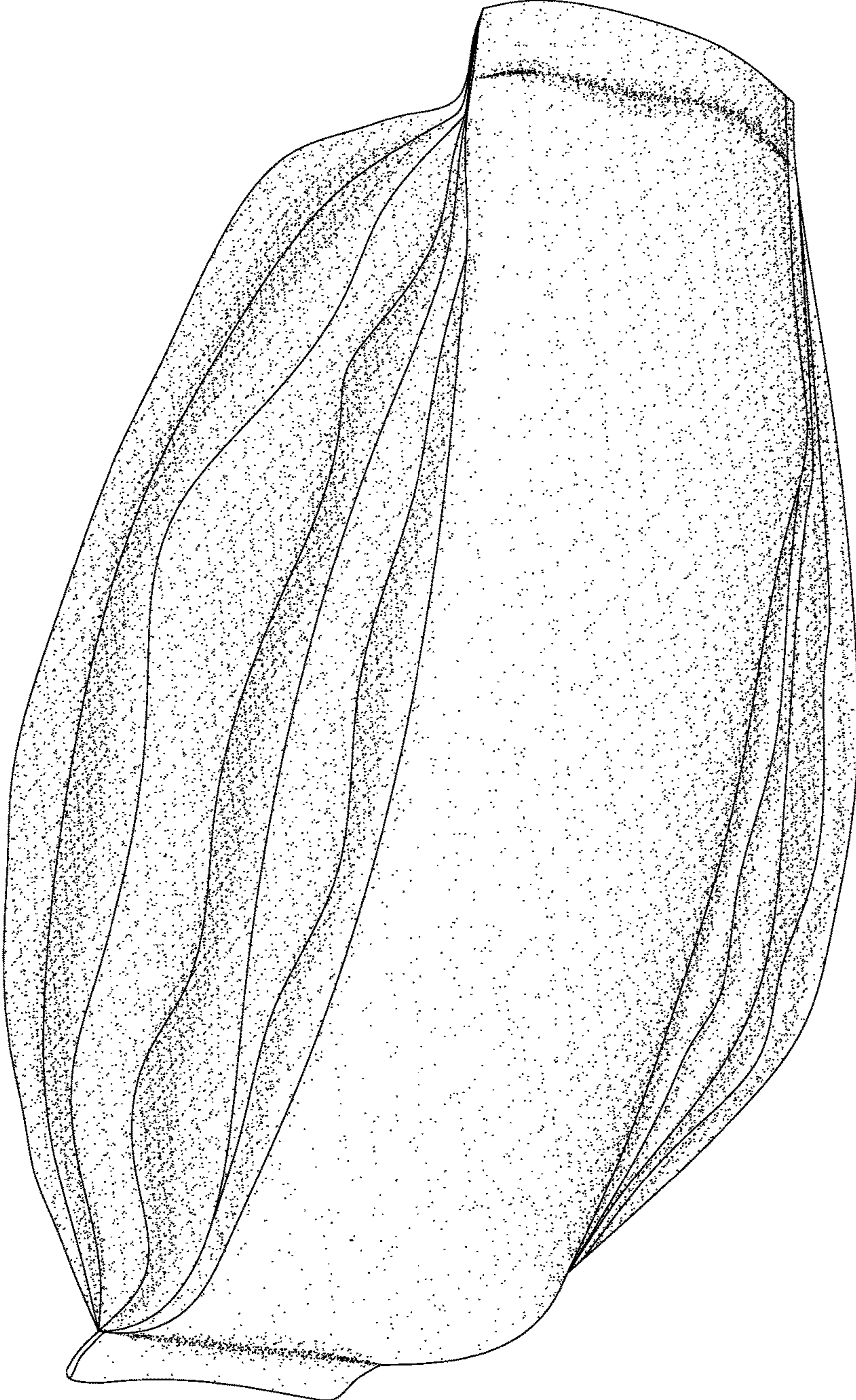


FIG.6

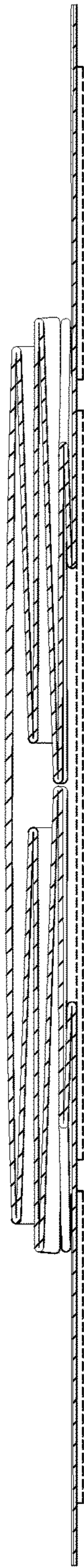


FIG.7

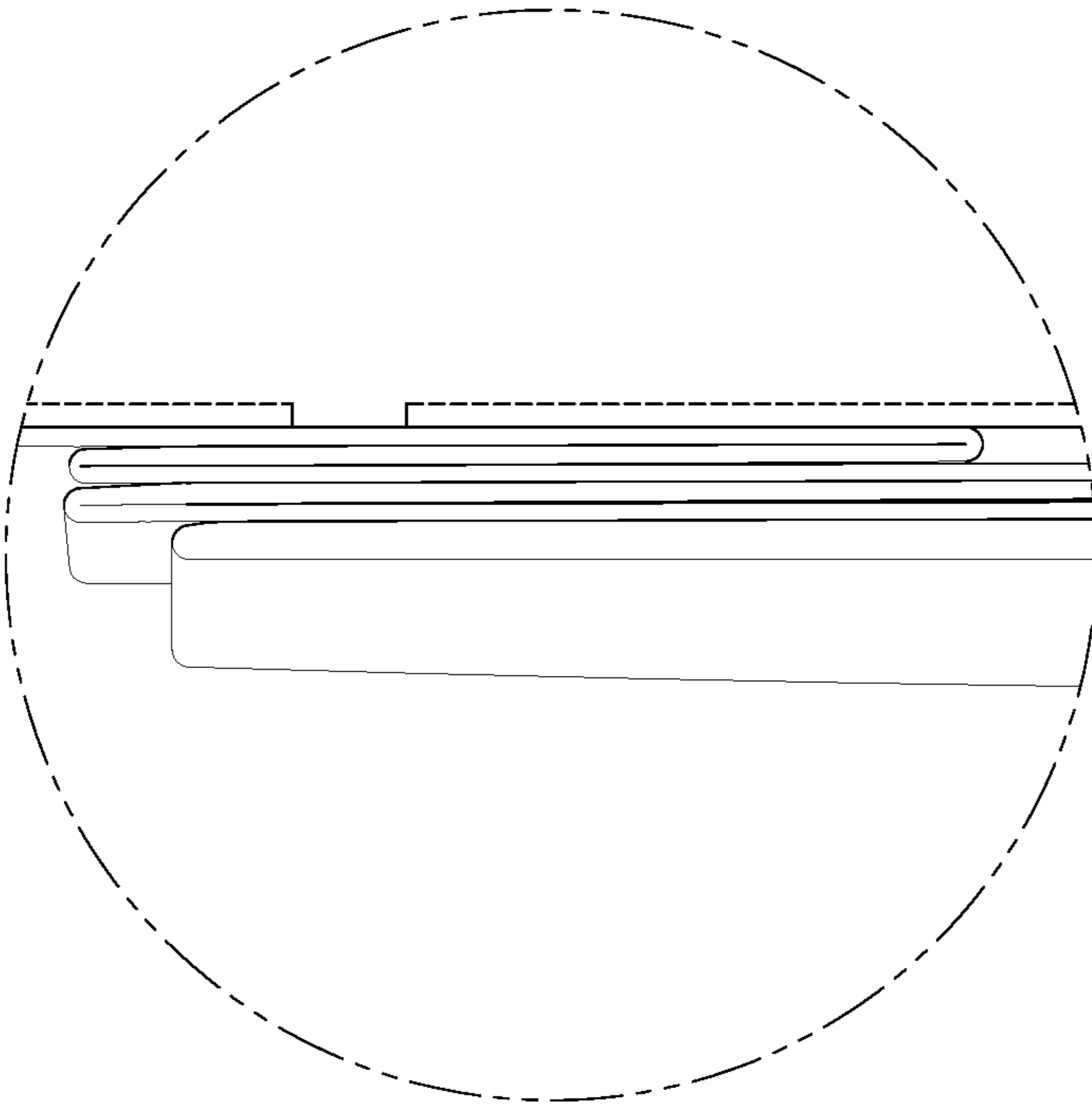


FIG.8

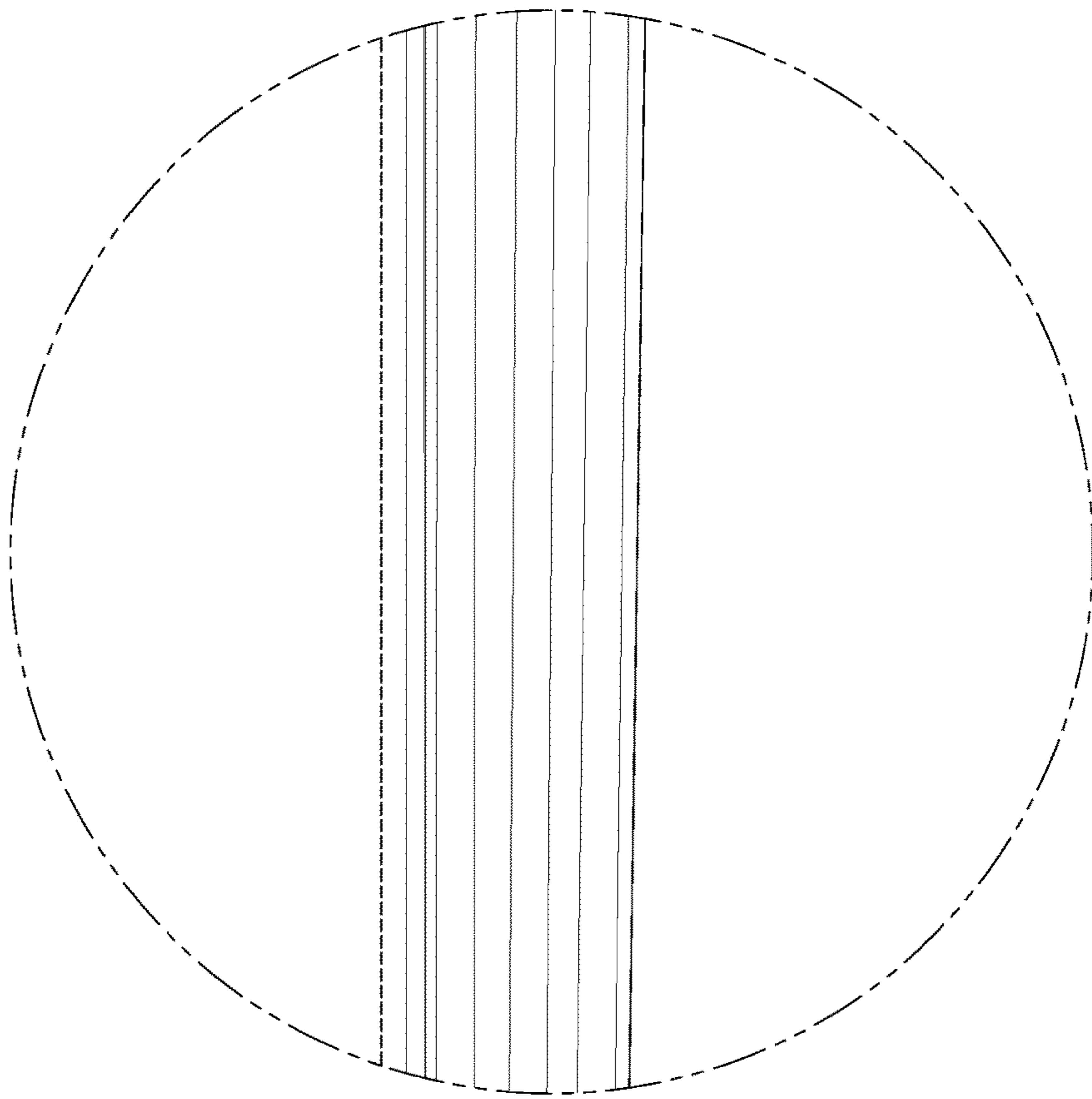


FIG. 9