



US00D819799S

(12) **United States Design Patent**
Wang

(10) **Patent No.:** **US D819,799 S**
(45) **Date of Patent:** **** Jun. 5, 2018**

- (54) **CEILING FAN**
- (71) Applicant: **AIR COOL INDUSTRIAL CO., LTD.**, Taichung (TW)
- (72) Inventor: **Cliff Wang**, Taichung (TW)
- (73) Assignee: **AIR COOL INDUSTRIAL CO., LTD.**, Taichung (TW)
- (**) Term: **15 Years**
- (21) Appl. No.: **29/608,433**
- (22) Filed: **Jun. 21, 2017**
- (51) **LOC (11) Cl.** **23-04**
- (52) **U.S. Cl.**
USPC **D23/377**
- (58) **Field of Classification Search**
USPC D23/370, 377, 379, 381, 382, 385, 411,
D23/413, 414, 332, 328; D26/59
CPC F04D 25/08; F04D 29/388; F04D 29/34;
F04D 25/088; H02K 1/187
See application file for complete search history.

(56) **References Cited**

U.S. PATENT DOCUMENTS

D328,785 S *	8/1992	Markwardt	D23/377
D535,011 S *	1/2007	Gajewski	D23/377
D536,083 S *	1/2007	Gajewski	D23/377
D599,900 S *	9/2009	Chen	D23/377
D632,381 S *	2/2011	Davenport	D23/377
D671,203 S *	11/2012	Wang	D23/377
D707,336 S *	6/2014	Pan	D23/377
D715,419 S *	10/2014	Schulzman	D23/377
D721,429 S *	1/2015	Busta	D23/377
D721,430 S *	1/2015	Schulzman	D23/377
D726,297 S *	4/2015	Liu	D23/377
D741,468 S *	10/2015	Ertze	D23/377
D741,988 S *	10/2015	Pan	D23/377

D761,949 S *	7/2016	Badarello	D23/377
D762,296 S *	7/2016	Badarello	D23/377
D773,030 S *	11/2016	Puerto	D23/377
D779,648 S *	2/2017	Badarello	D23/377
D780,902 S *	3/2017	Gajewski	D23/377
D785,156 S *	4/2017	Wang	D23/377
D789,510 S *	6/2017	Wang	D23/377
D791,928 S *	7/2017	Yang	D23/377
D795,410 S *	8/2017	Holmes	D23/377
D799,660 S *	10/2017	Jones	D23/377
D799,661 S *	10/2017	Holmes	D23/377
D800,288 S *	10/2017	Jones	D23/377
D800,291 S *	10/2017	Wang	D23/377
D800,292 S *	10/2017	Haggar	D23/377
D803,379 S *	11/2017	Badarello	D23/377
D804,629 S *	12/2017	McRoberts	D23/377
D807,492 S *	1/2018	Hidalgo	D23/377
D807,493 S *	1/2018	Hidalgo	D23/377

(Continued)

Primary Examiner — Janice Hallmark

(74) *Attorney, Agent, or Firm* — Pai Patent & Trademark Law Firm; Chao-Chang David Pai

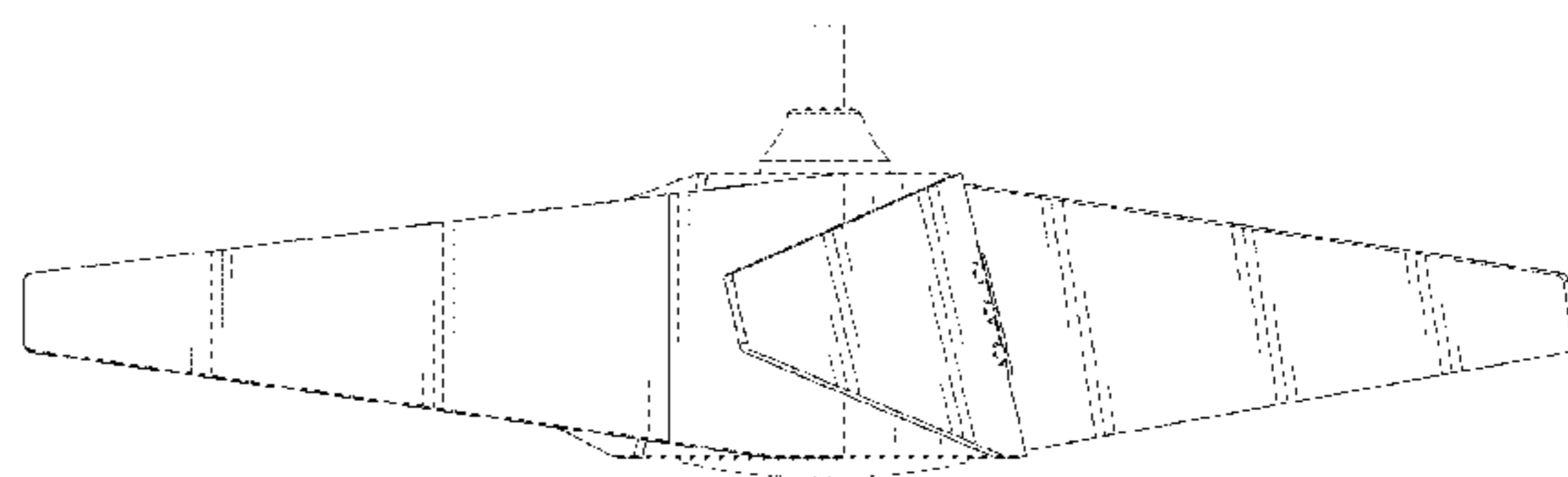
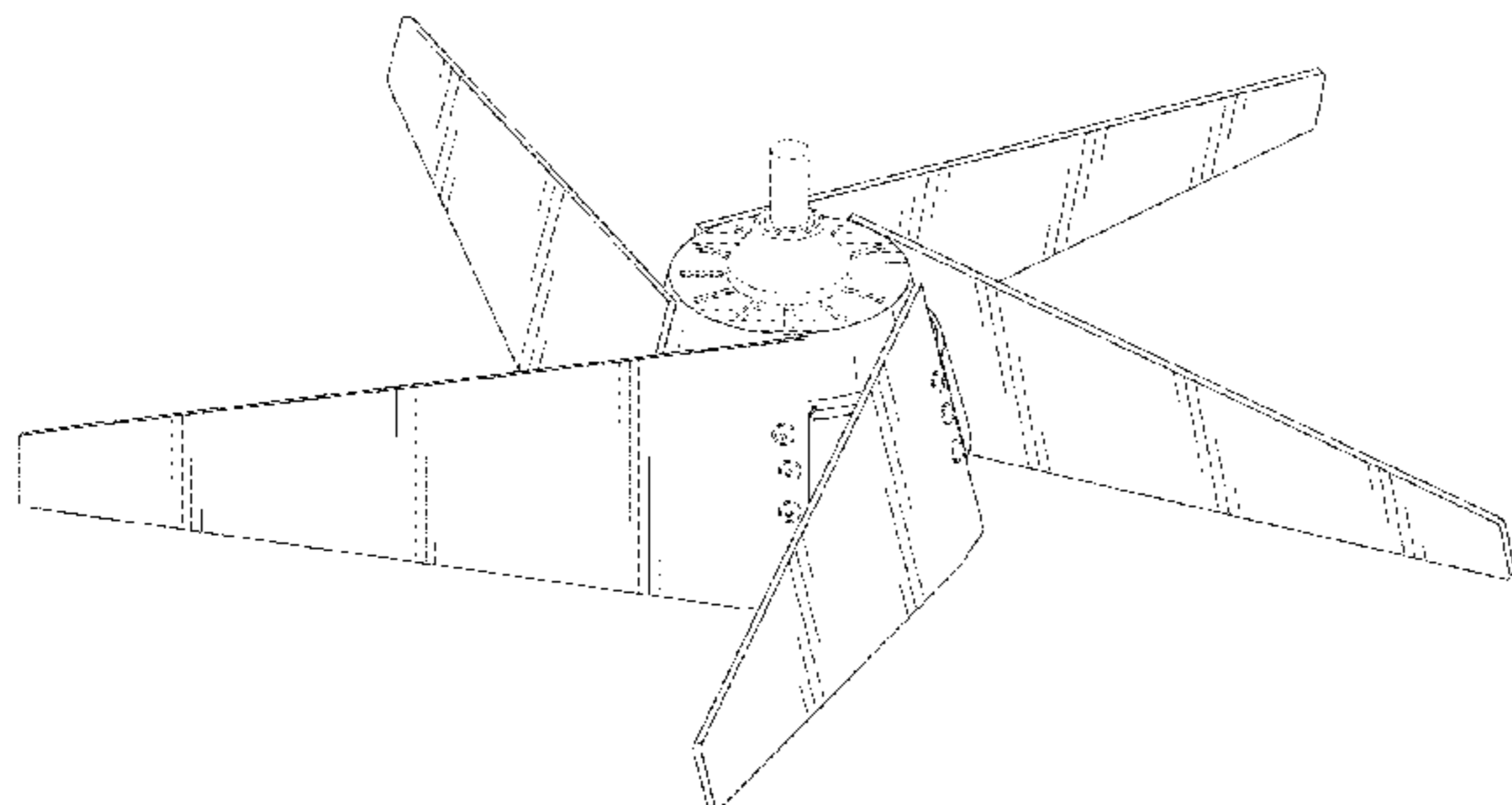
(57) **CLAIM**

The ornamental design for a ceiling fan, as shown and described.

DESCRIPTION

FIG. 1 is a front top perspective view of a ceiling fan showing my new design;
 FIG. 2 is a front elevational view thereof;
 FIG. 3 is a rear elevational view thereof;
 FIG. 4 is a left side elevational view thereof;
 FIG. 5 is a right side elevational view thereof;
 FIG. 6 is a top plan view thereof;
 FIG. 7 is a bottom plan view thereof; and,
 FIG. 8 is a front bottom perspective view thereof.
 The broken lines are for the purpose of illustrating environmental structure and form no part of the claimed design.

1 Claim, 6 Drawing Sheets



(56)

References Cited

U.S. PATENT DOCUMENTS

D810,918 S * 2/2018 Holmes D23/377
2012/0177496 A1 * 7/2012 Gajewski F04D 25/088
416/204 R

* cited by examiner

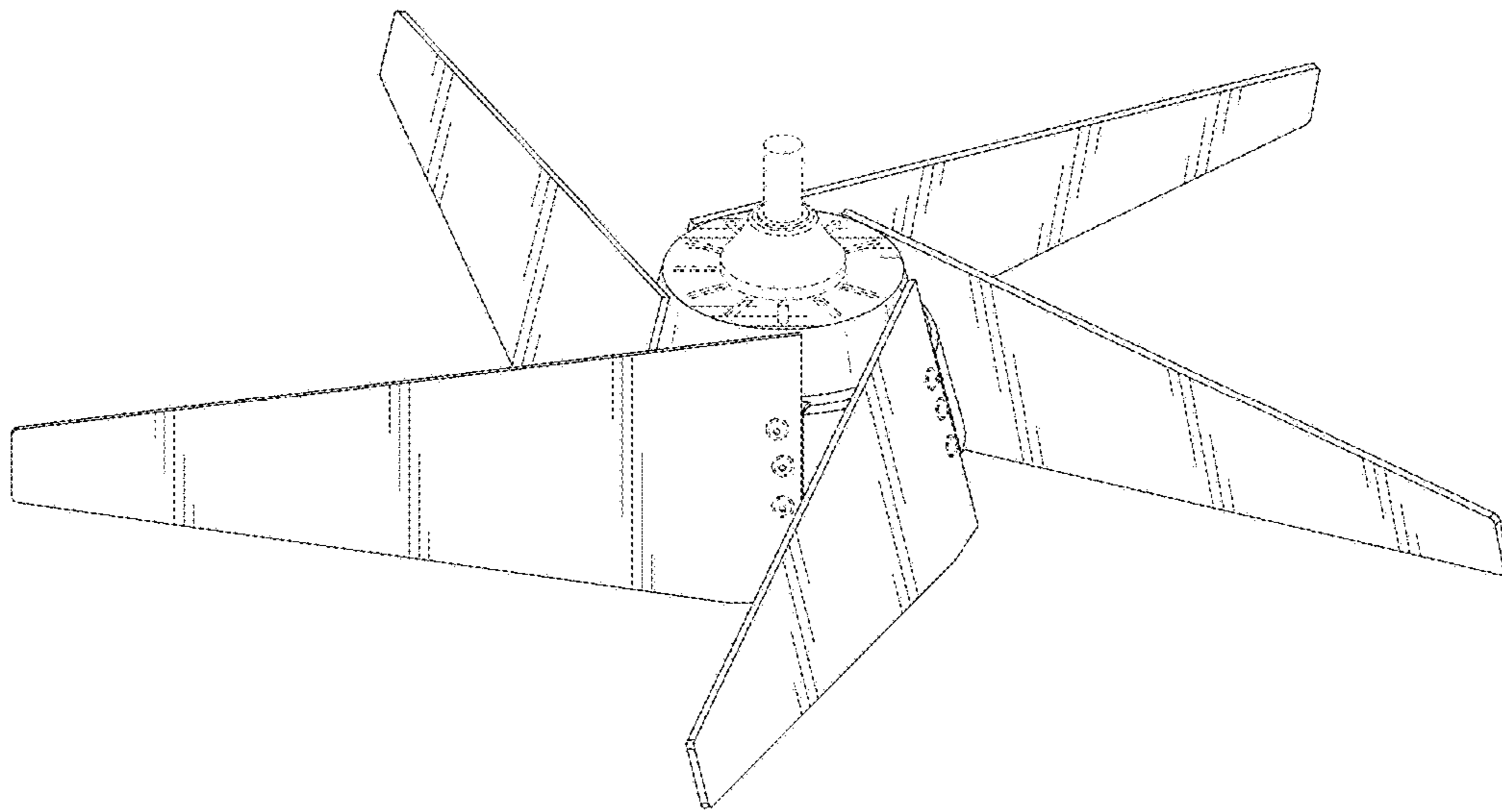


FIG. 1

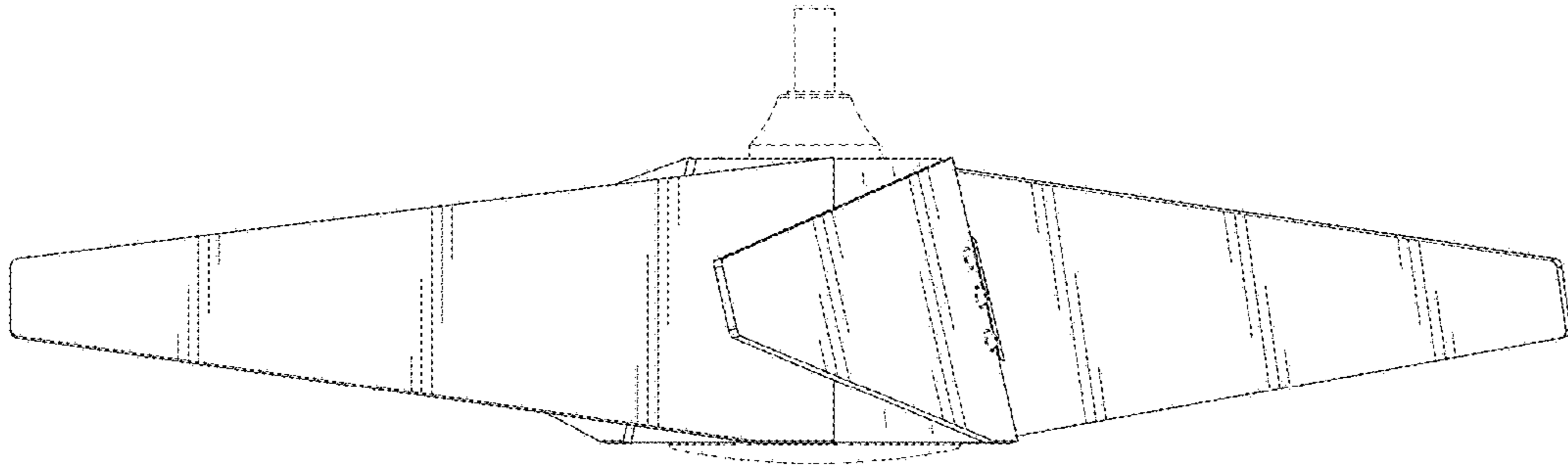


FIG. 2

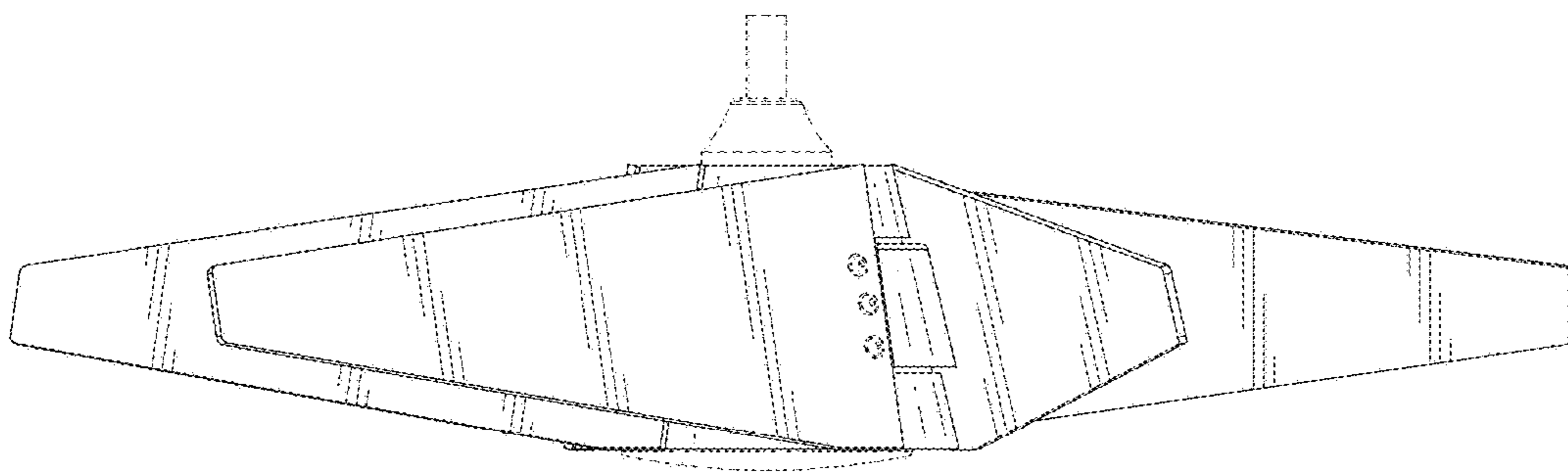


FIG. 3

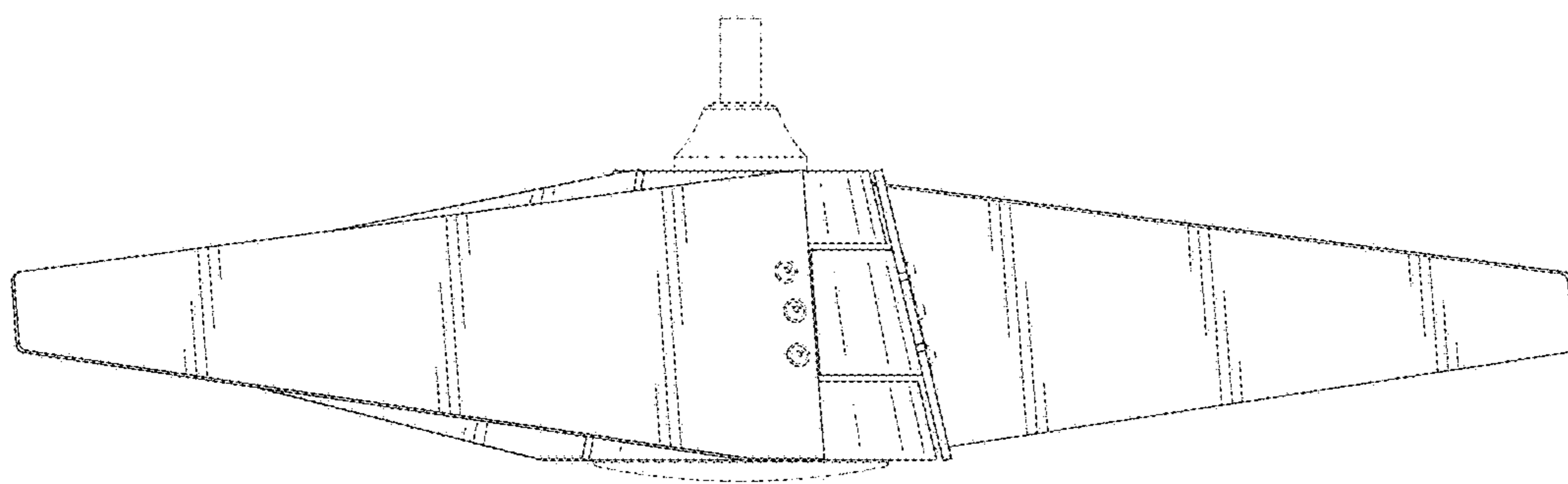


FIG. 4

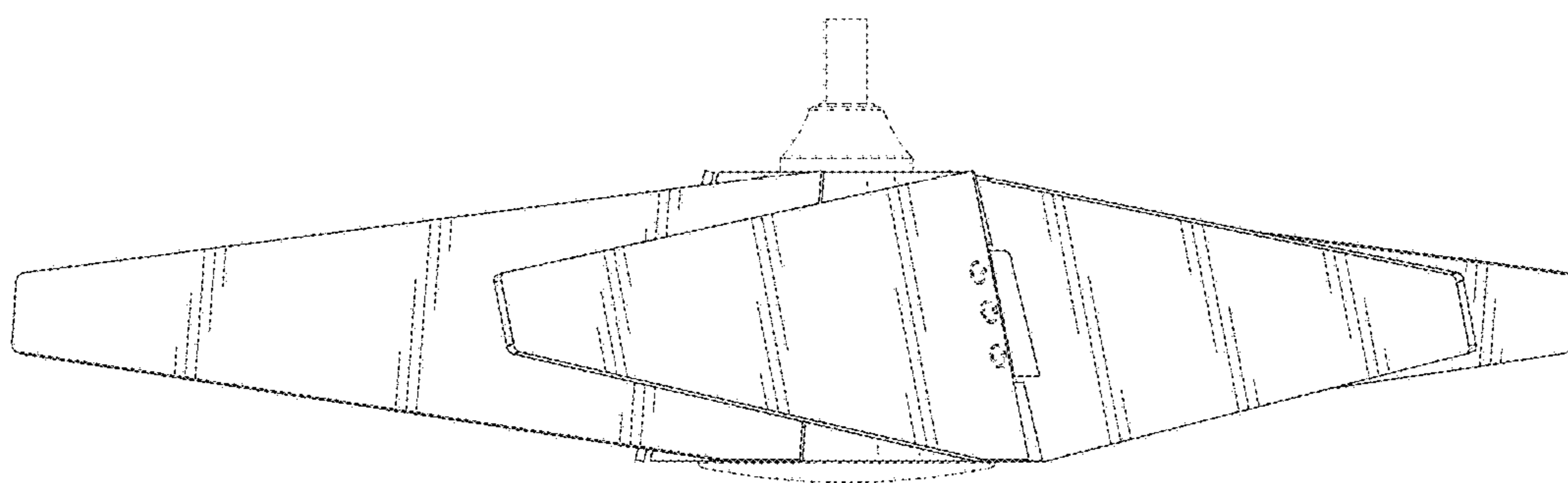


FIG. 5

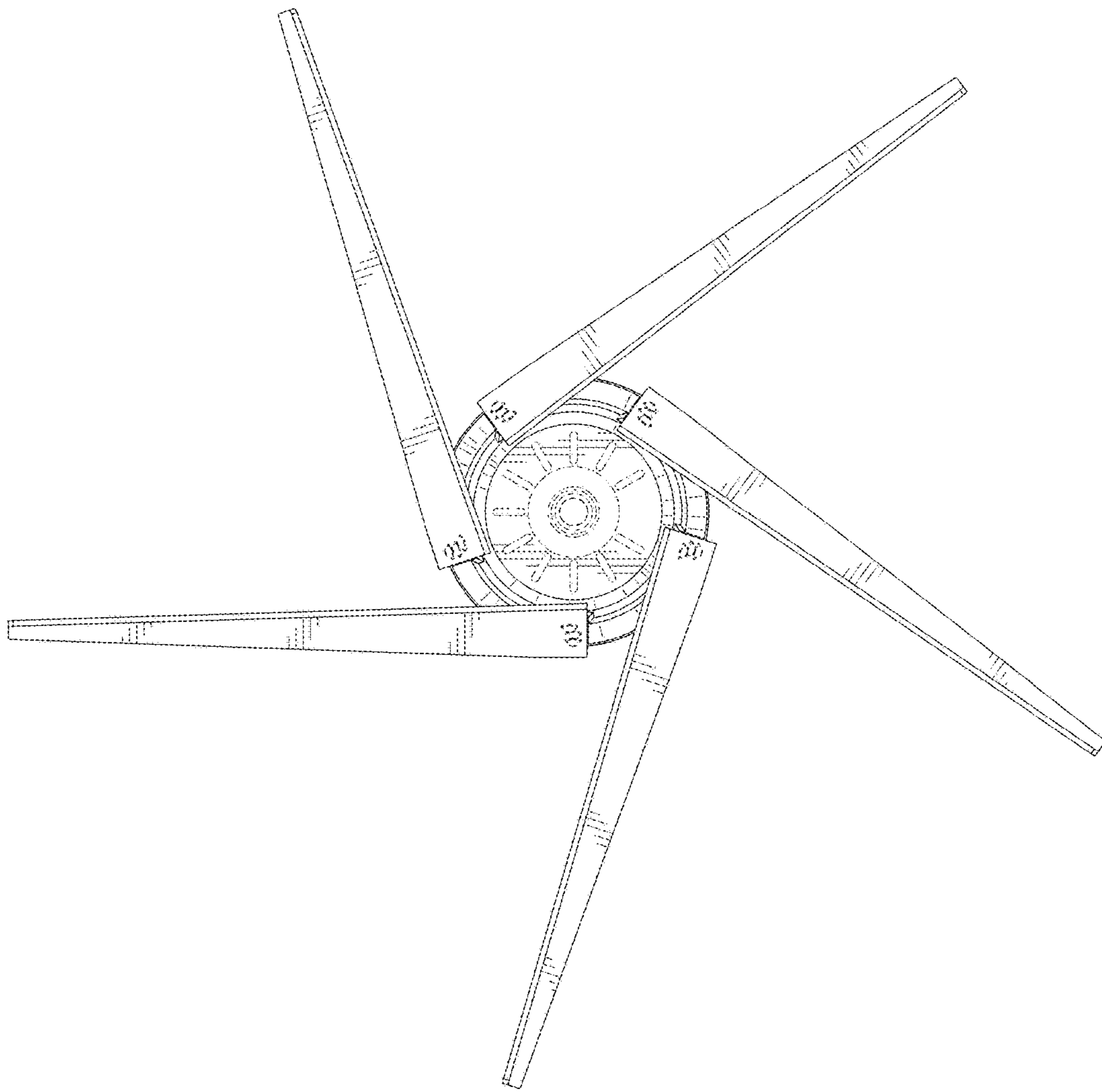


FIG. 6

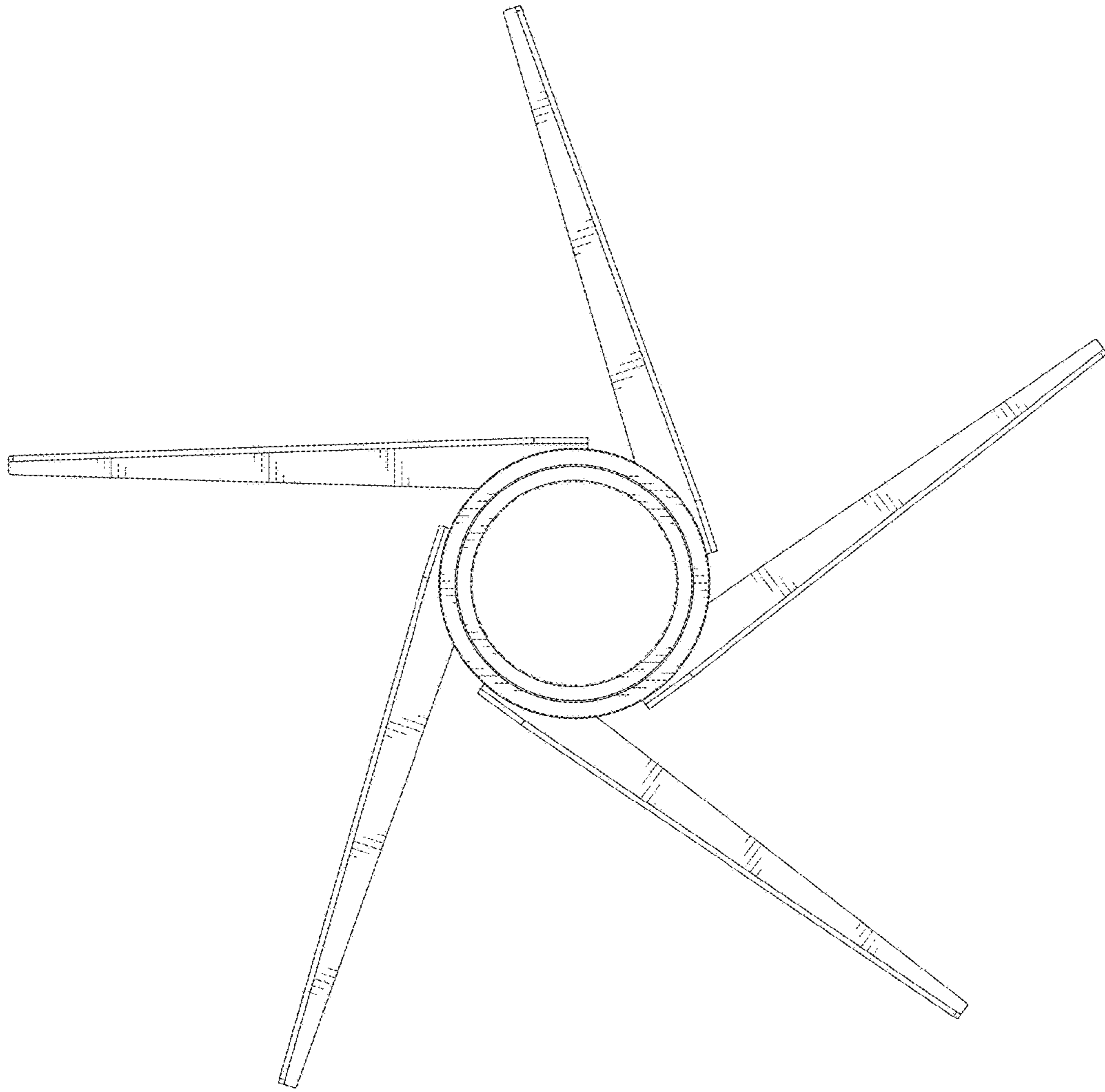


FIG. 7

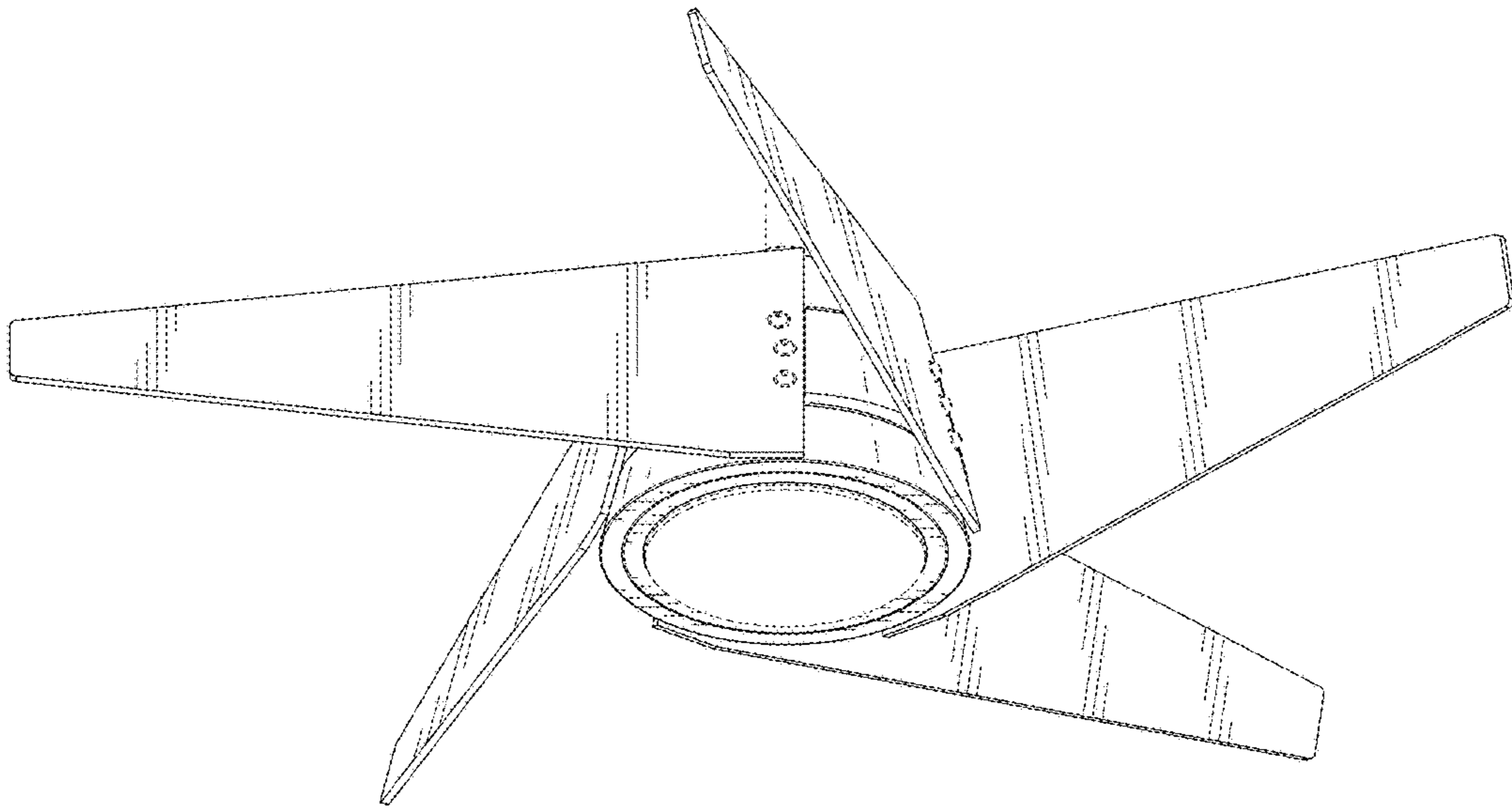


FIG. 8