



US00D819798S

(12) **United States Design Patent**
Hwang et al.

(10) **Patent No.:** **US D819,798 S**
(45) **Date of Patent:** **** Jun. 5, 2018**

(54) **AIR PURIFIER FOR VEHICLE**

- (71) Applicant: **Lumileds Holding B.V.**, Amsterdam (NL)
- (72) Inventors: **Yong Jun Hwang**, Shanghai (CN); **Ke Yong Zhao**, Shanghai (CN); **Bill Guo**, Shanghai (CN); **Leo Kang**, Shanghai (CN); **Peter Wang**, Shanghai (CN); **Elie Cai**, Shanghai (CN)
- (73) Assignee: **Lumileds Holding B.V.**, Schiphol (NL)

(**) Term: **15 Years**

(21) Appl. No.: **29/585,682**

(22) Filed: **Nov. 28, 2016**

(51) **LOC (11) Cl.** **23-04**

(52) **U.S. Cl.**
USPC **D23/364**

(58) **Field of Classification Search**
USPC D23/355–370, 386–388; D14/214–216
CPC Y10T 428/1366; B32B 2597/00; B01D 46/00; B01D 46/0004; B01D 27/04
See application file for complete search history.

(56) **References Cited**

U.S. PATENT DOCUMENTS

D612,472 S *	3/2010	Rossi	D23/366
D657,036 S *	4/2012	Vetu	D23/364
D665,485 S *	8/2012	Vetu	D23/364
D674,069 S *	1/2013	Vetu	D23/364
D719,249 S *	12/2014	Lim	D23/364
D729,368 S *	5/2015	Markwick	D23/366
D729,920 S *	5/2015	Lim	D23/364
D794,765 S *	8/2017	Brandenburg	D23/366
D804,003 S *	11/2017	Zhao	D23/364

OTHER PUBLICATIONS

(Lumileds) Philips Go Pure reference found online [Dec. 7, 2017]—
<https://www.usa.philips.com/c-m-au/car-lights/car-accessories/gopure#gopure>.*

* cited by examiner

Primary Examiner — Robert M. Spear

Assistant Examiner — John A Voytek

(74) *Attorney, Agent, or Firm* — Baker & McKenzie LLP

(57) **CLAIM**

The ornamental design for an air purifier for vehicle, as shown and described.

DESCRIPTION

FIG. 1 is a front elevation view of an air purifier for vehicle in accordance with my design;
 FIG. 2 is a rear elevation view of the air purifier for vehicle in accordance with my design;
 FIG. 3 is a perspective view of the air purifier for vehicle in accordance with my design;
 FIG. 4 is a right-side elevation view of the air purifier for vehicle in accordance with my design;
 FIG. 5 is a left-side elevation view of the air purifier for vehicle in accordance with my design;
 FIG. 6 is a top plan view of the air purifier for vehicle in accordance with my design; and,
 FIG. 7 is a bottom plan view of the air purifier for vehicle in accordance with my design.
 In the drawings, the broken lines depict environmental subject matter only and form no part of the claimed design.

1 Claim, 5 Drawing Sheets

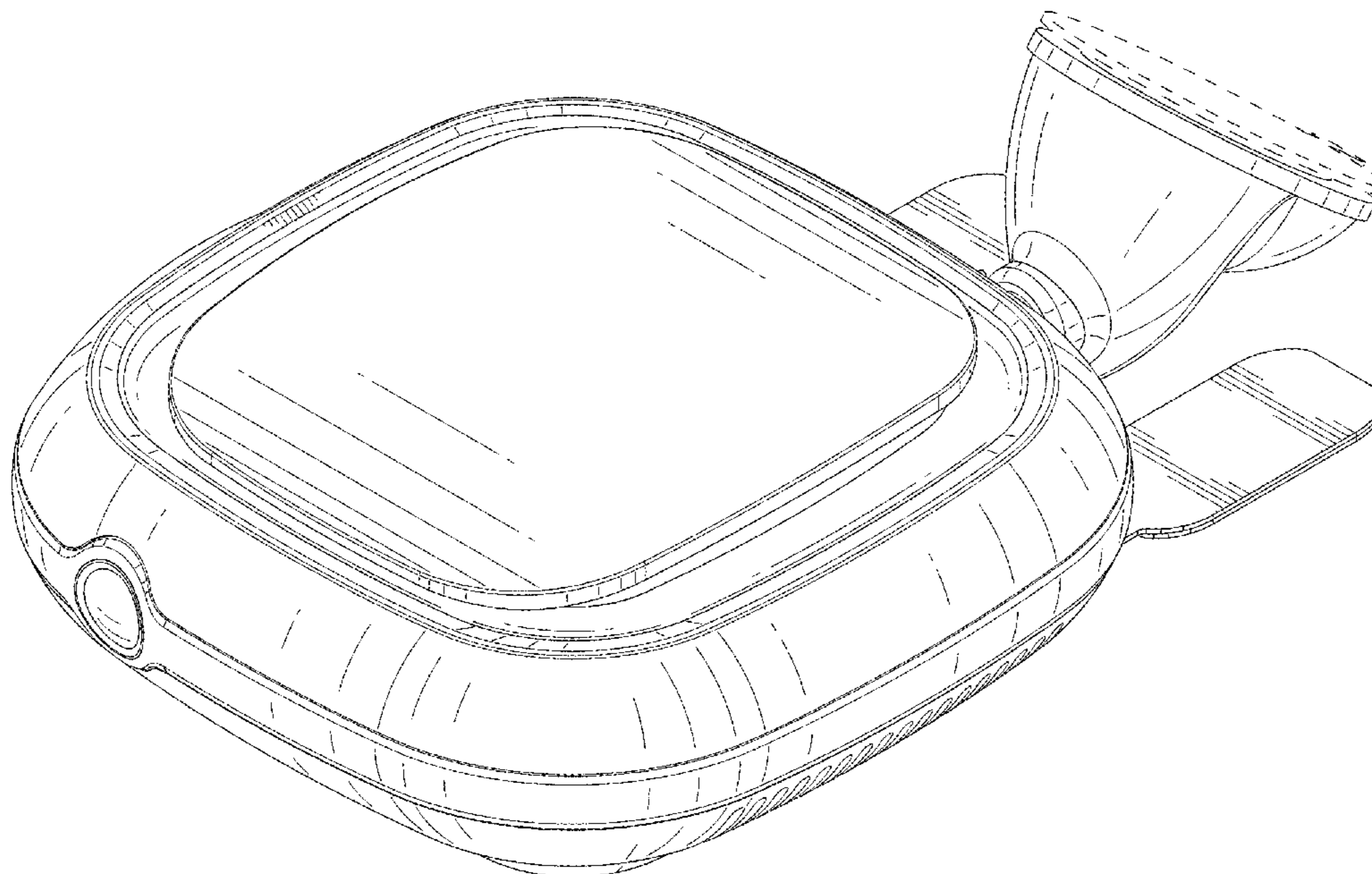


FIG. 1

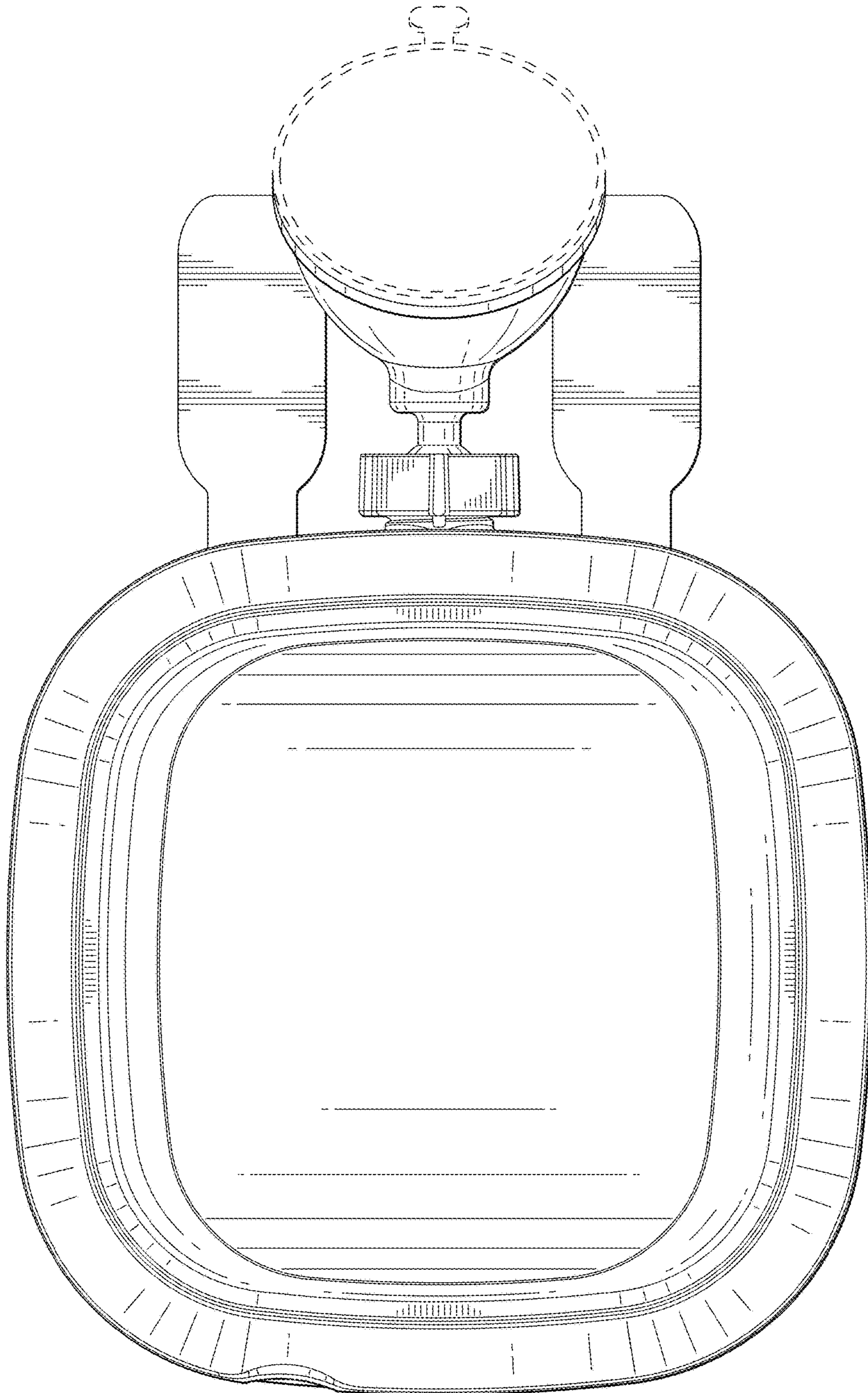
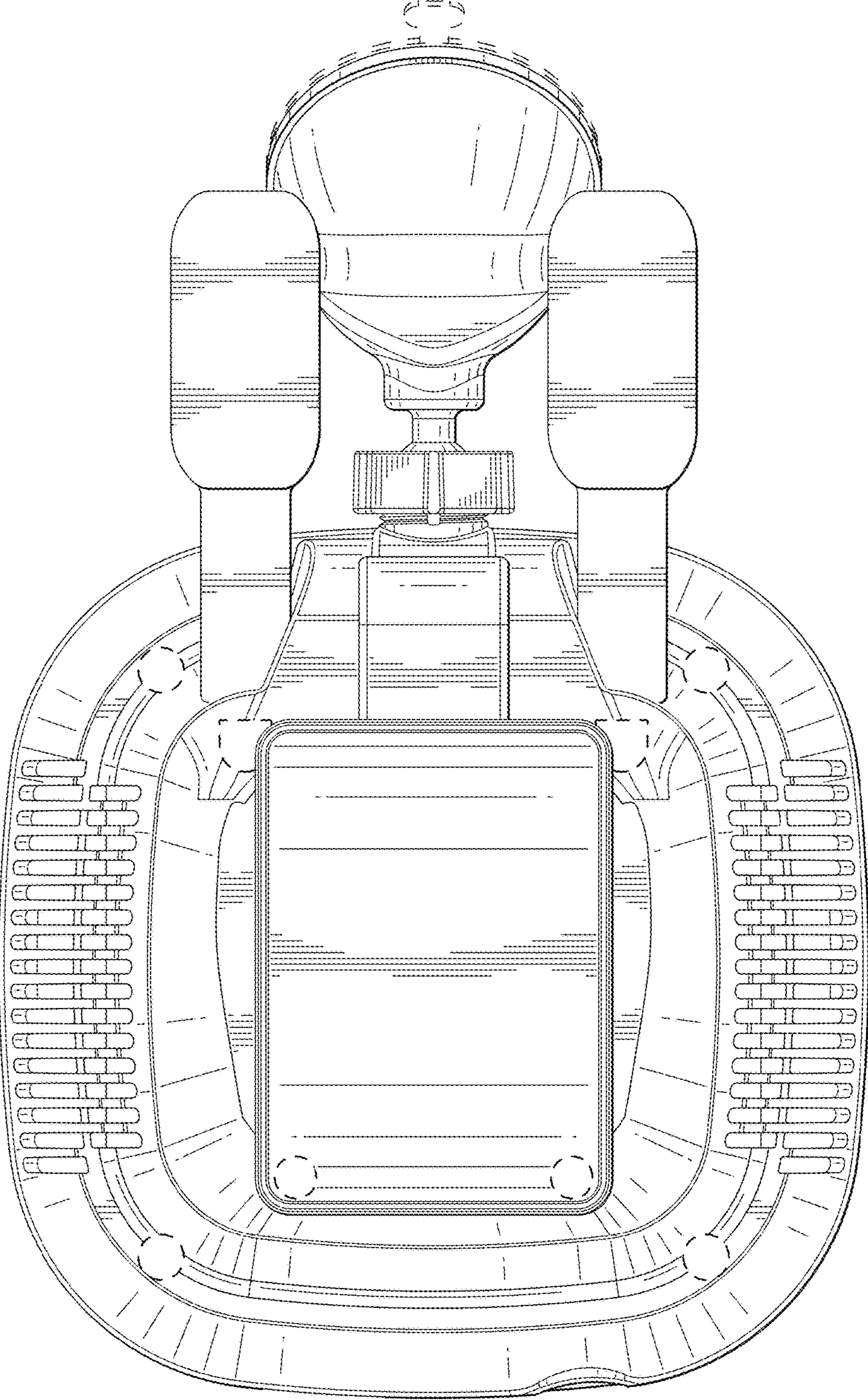


FIG. 2



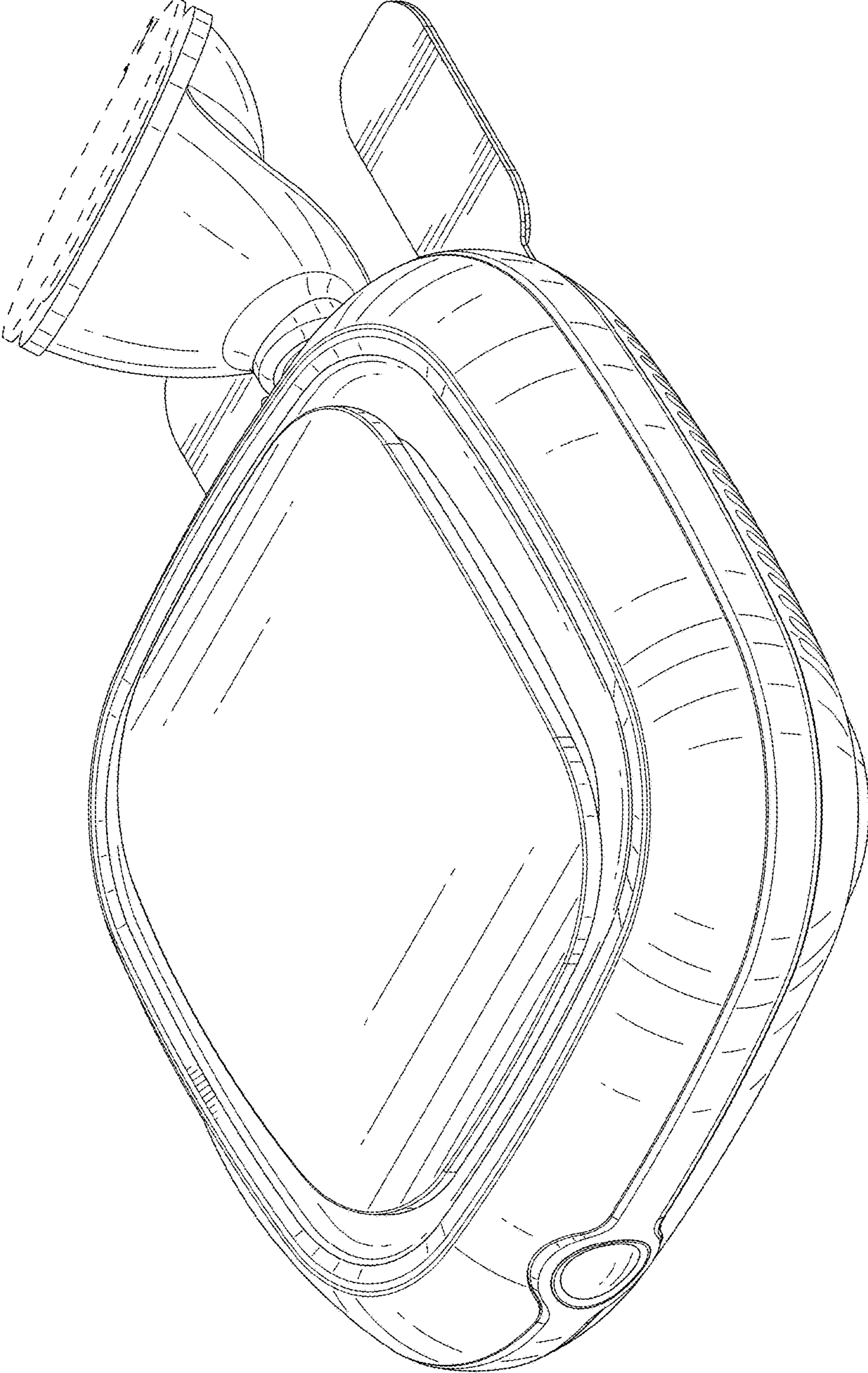
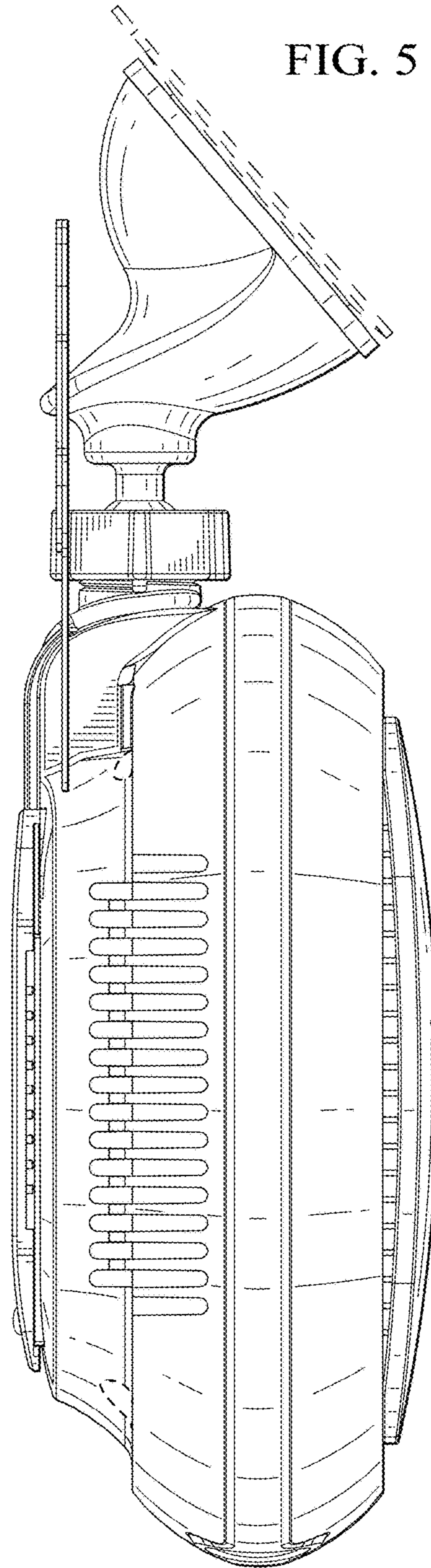
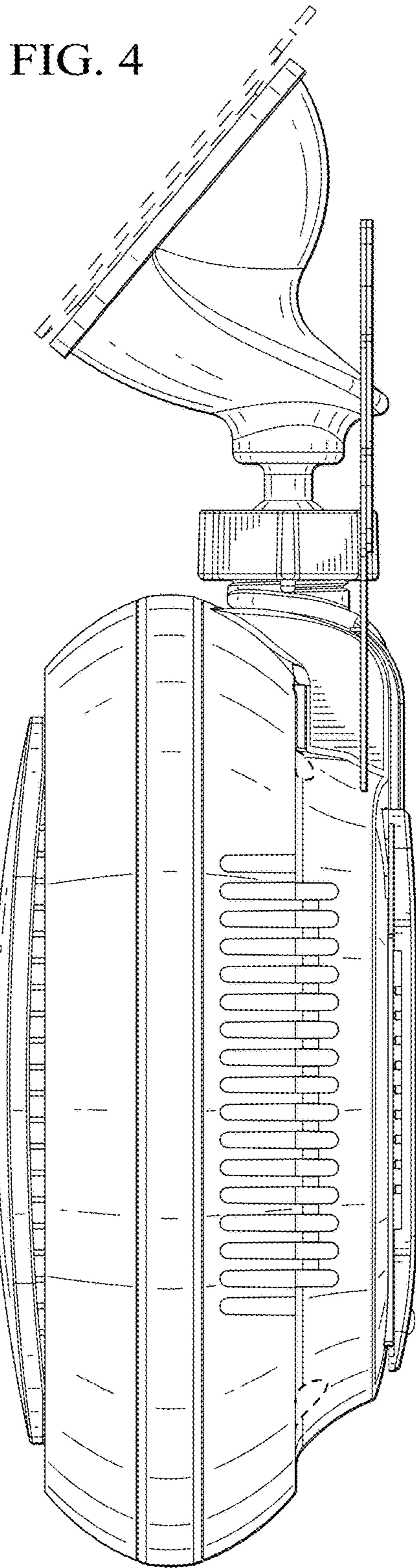


FIG. 3



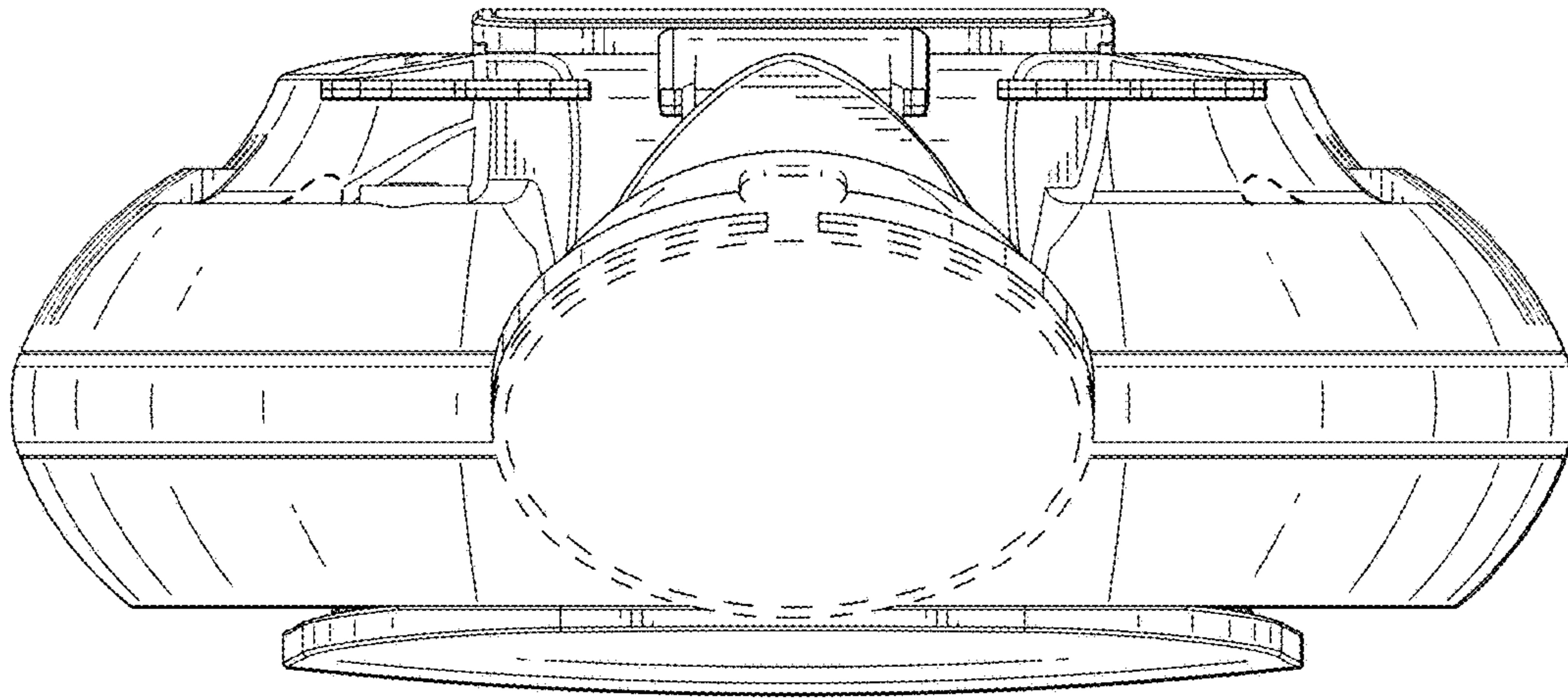


FIG. 6

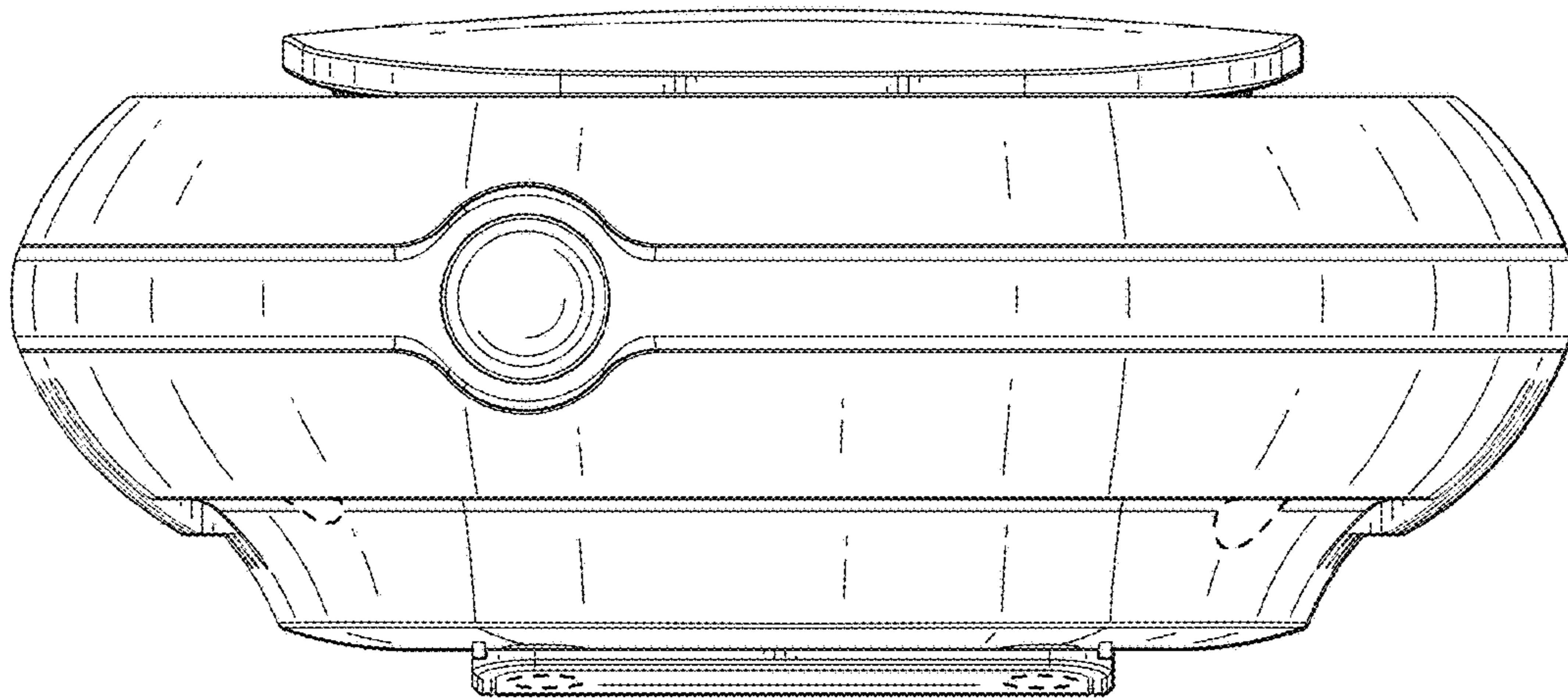


FIG. 7