



US00D819796S

(12) **United States Design Patent**
Shin et al.

(10) **Patent No.:** **US D819,796 S**
(45) **Date of Patent:** **** Jun. 5, 2018**

(54) **AIR CONDITIONER**

(56) **References Cited**

- (71) Applicant: **SAMSUNG ELECTRONICS CO., LTD.**, Suwon-si, Gyeonggi-do (KR)
- (72) Inventors: **Young-Sun Shin**, Seoul (KR); **Jin-Sun Park**, Seoul (KR); **Tae-Han Kim**, Seoul (KR)
- (73) Assignee: **SAMSUNG ELECTRONICS CO., LTD.**, Gyeonggi-Do (KR)
- (**) Term: **15 Years**
- (21) Appl. No.: **29/599,783**
- (22) Filed: **Apr. 6, 2017**

U.S. PATENT DOCUMENTS

D324,420 S *	3/1992	Farce	D23/369
D326,456 S	5/1992	Hahn	
D456,071 S	4/2002	Mattsson et al.	
D466,599 S	12/2002	Bragg et al.	
D502,768 S	3/2005	Blateri	
D519,495 S *	4/2006	Lum	D14/221
D538,422 S *	3/2007	Hooijmaaijers	D23/387
7,645,188 B1 *	1/2010	Peerbolt	F24F 13/06 454/284
D613,829 S	4/2010	Griffin et al.	
D626,208 S *	10/2010	Clements	D23/365

(Continued)

Primary Examiner — George D. Kirschbaum
Assistant Examiner — Natasha Vujcic
(74) *Attorney, Agent, or Firm* — Cantor Colburn LLP

(57) **CLAIM**

The ornamental design for an air conditioner, as shown and described.

DESCRIPTION

FIG. 1 is a perspective view of an air conditioner showing our new design in a first exemplary embodiment;
FIG. 2 is a front view thereof;
FIG. 3 is a rear view thereof;
FIG. 4 is a left-side view thereof;
FIG. 5 is a right-side view thereof;
FIG. 6 is a top plan view thereof;
FIG. 7 is a bottom plan view thereof;
FIG. 8 is a perspective view an air conditioner as shown in a second exemplary embodiment;
FIG. 9 is a front view of FIG. 8;
FIG. 10 is a rear view of FIG. 8;
FIG. 11 is a left-side view of FIG. 8;
FIG. 12 is a right-side view of FIG. 8;
FIG. 13 is a top plan view of FIG. 8; and,
FIG. 14 is a bottom plan view of FIG. 8.
The broken lines illustrating portions of the air conditioner form no part of the claimed design.

Related U.S. Application Data

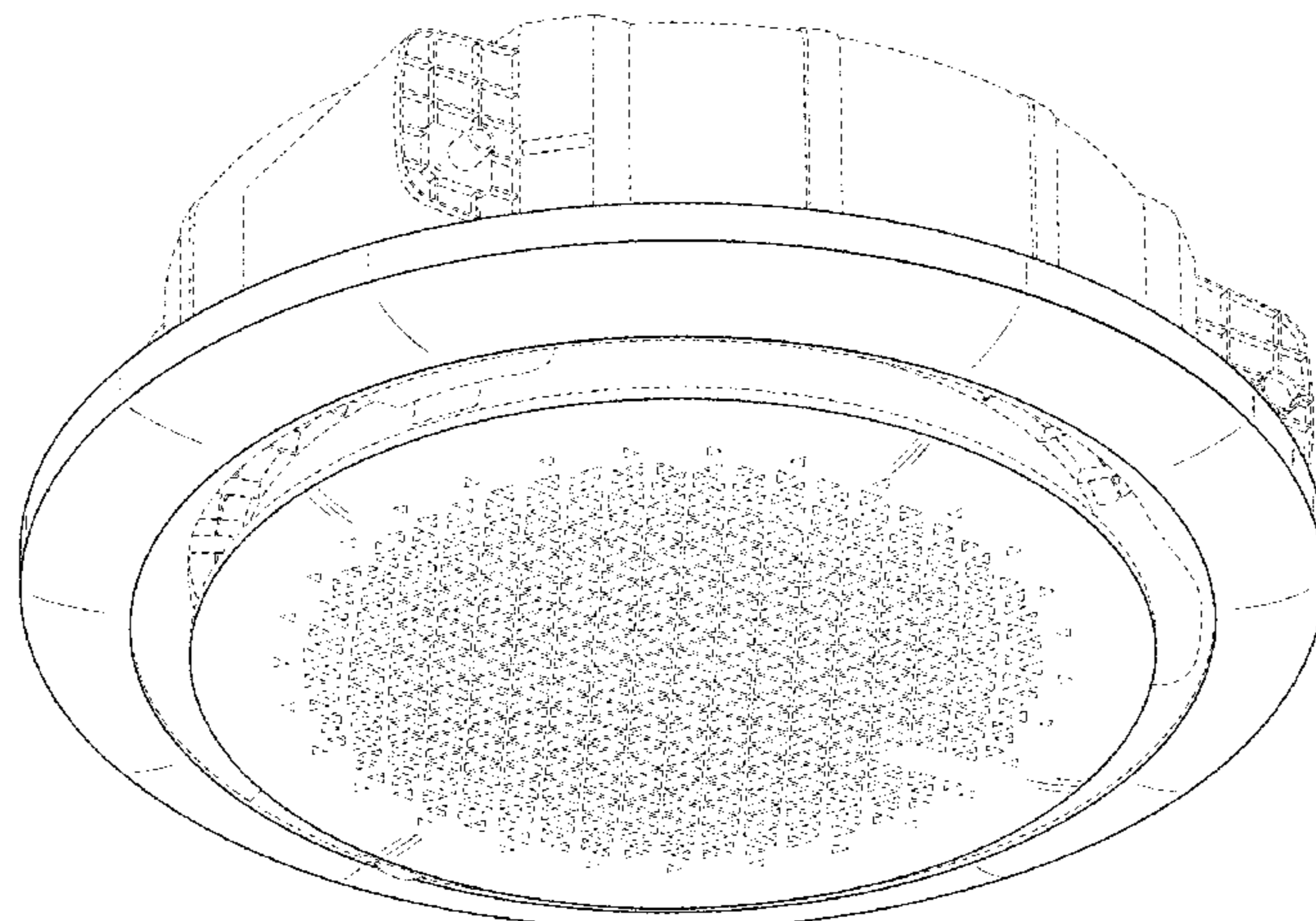
- (63) Continuation of application No. 29/559,213, filed on Mar. 25, 2016, now Pat. No. Des. 788,896.

Foreign Application Priority Data

- Oct. 14, 2015 (KR) 30-2015-0051763
- (51) **LOC (11) Cl.** **23-04**
- (52) **U.S. Cl.**
USPC **D23/351**
- (58) **Field of Classification Search**
USPC D23/333, 335, 341, 342, 351, 353, 354,
D23/355, 356, 359, 364, 365, 370, 385,
D23/386, 388, 393
CPC F24F 1/00; F24F 1/0007; F24F 1/02; F24F
1/08; F24F 1/42; F24F 1/56; F24F 1/60;
F24F 3/044; F24F 3/048; F24F 3/16;
F24F 7/00; F24F 7/04; F24F 12/001;
F24F 12/006

See application file for complete search history.

1 Claim, 10 Drawing Sheets



(56)

References Cited

U.S. PATENT DOCUMENTS

D658,603	S	*	5/2012	Egawa	D13/180
D658,604	S	*	5/2012	Egawa	D13/180
D665,491	S	*	8/2012	Goel	D15/144
D670,362	S		11/2012	Eylon et al.		
D679,046	S	*	3/2013	Hoshino	D26/120
D689,451	S	*	9/2013	Shimonishi	D13/180
D705,916	S		5/2014	Saitou		
D728,766	S		5/2015	Kim et al.		
D735,836	S		8/2015	Yamagishi et al.		
D743,532	S		11/2015	Biagioli et al.		
D767,750	S		9/2016	Nakai et al.		
D767,751	S	*	9/2016	Nakai	D23/388
D777,308	S	*	1/2017	Bu	D23/354
D778,418	S	*	2/2017	Bu	D23/354
D788,895	S	*	6/2017	Shin	D23/351
D788,896	S	*	6/2017	Shin	D23/351

* cited by examiner

FIG. 1

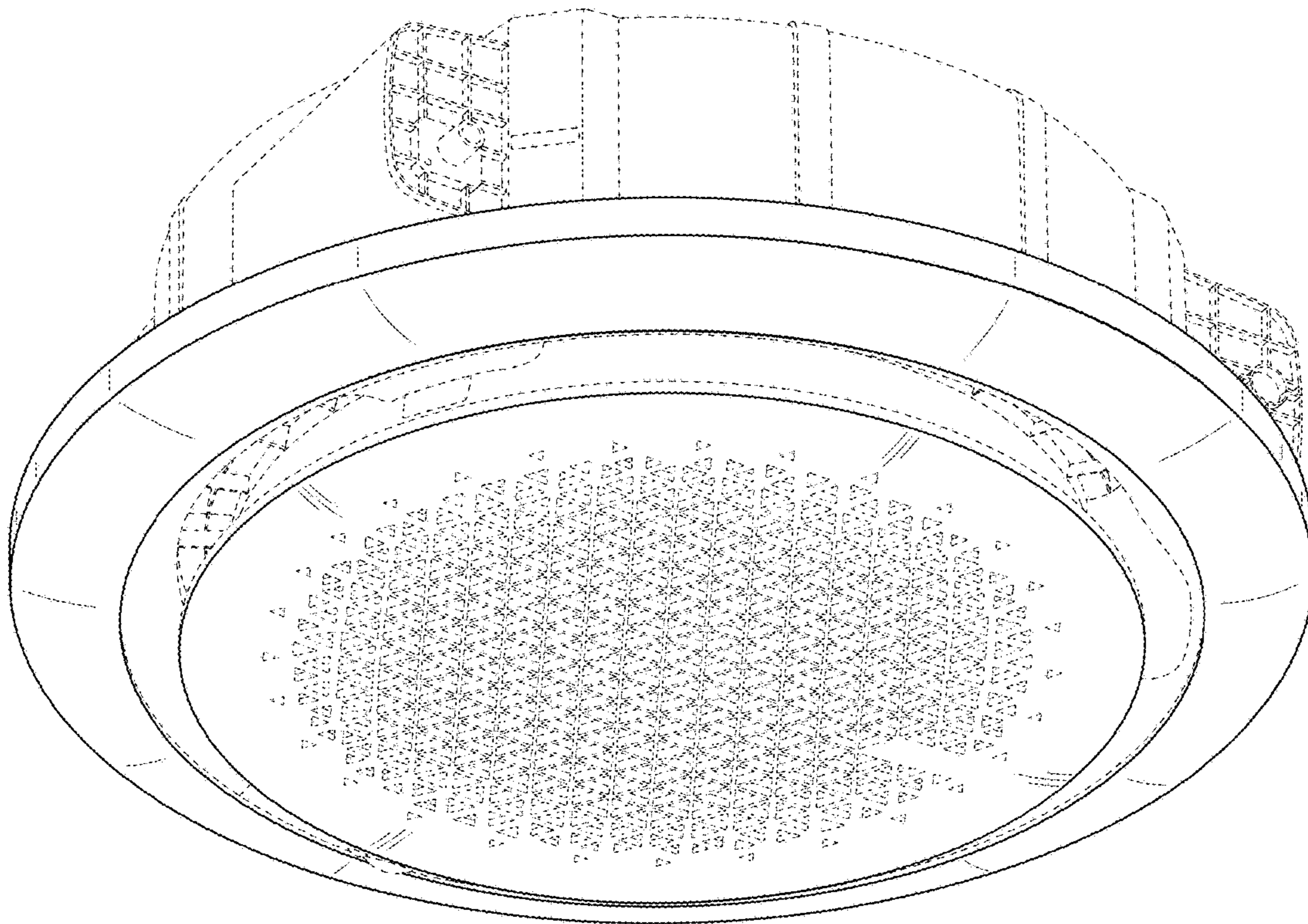


FIG. 2

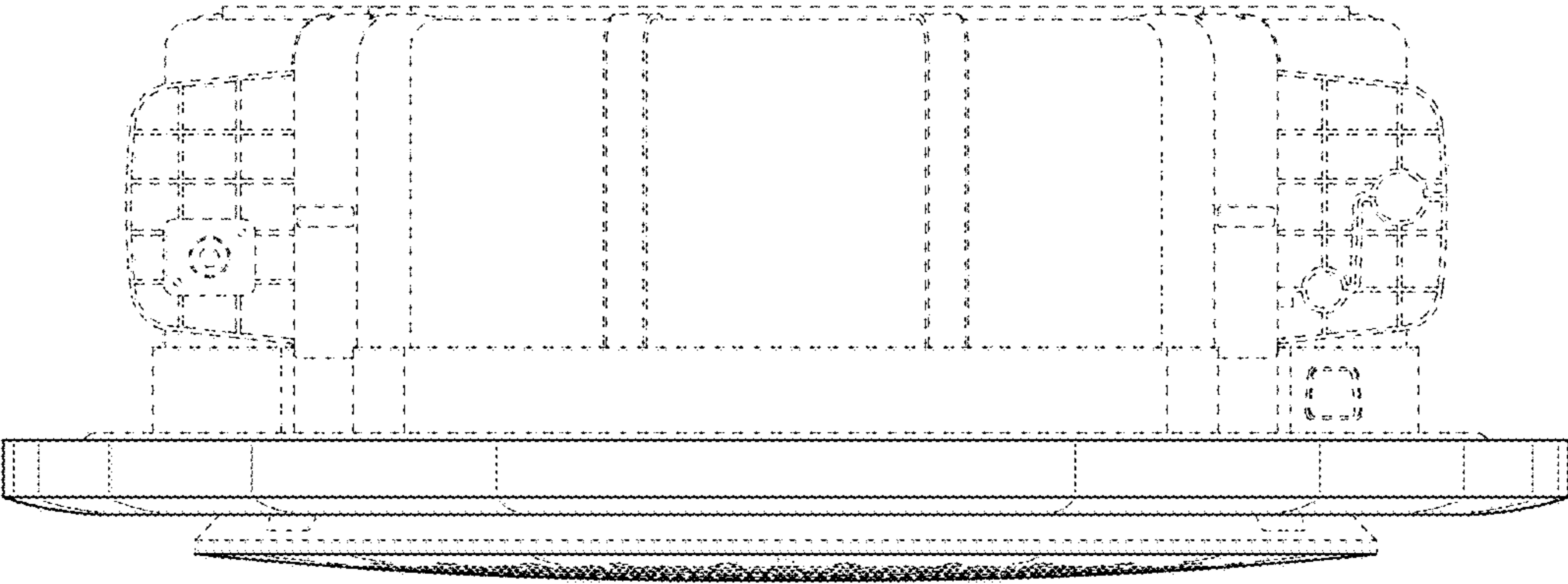


FIG. 3

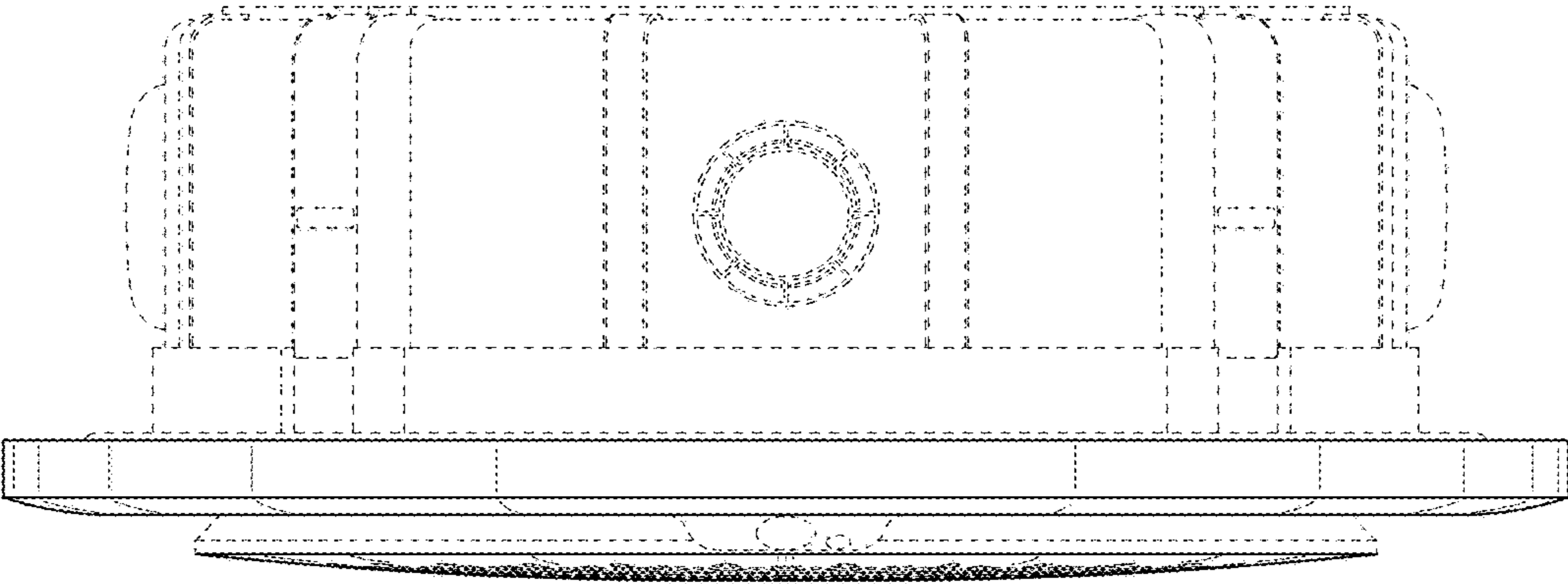


FIG. 4

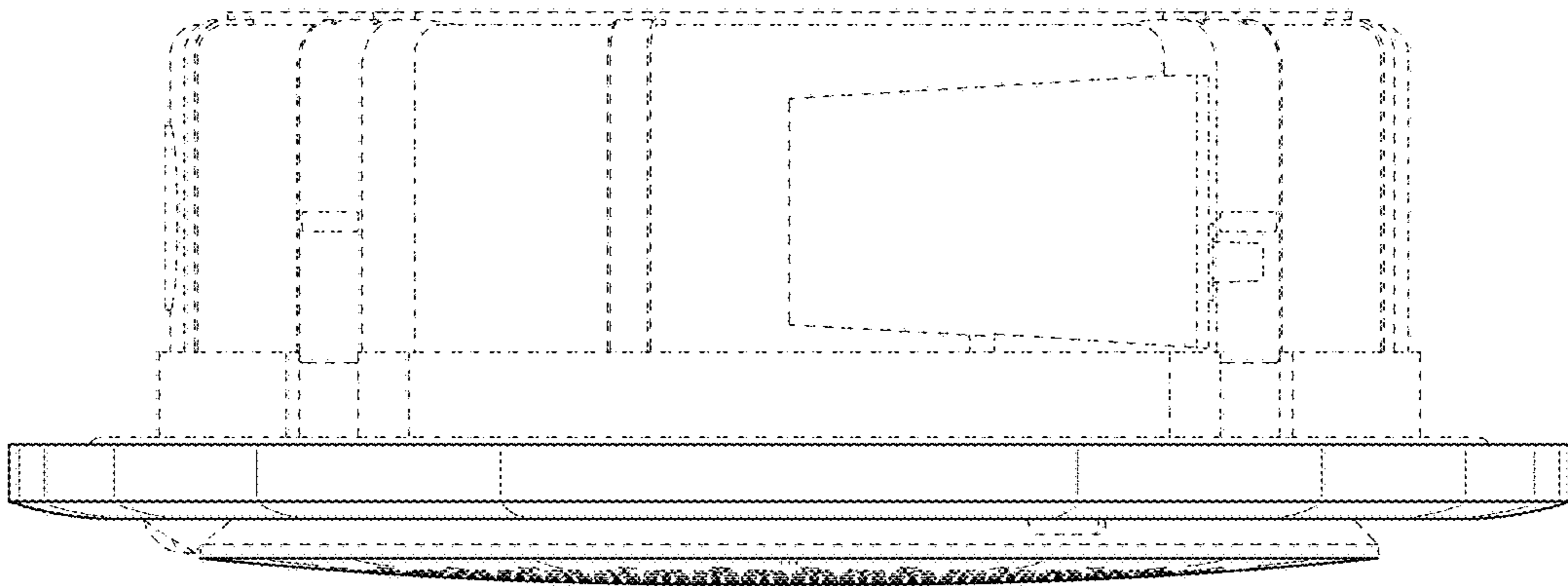


FIG. 5

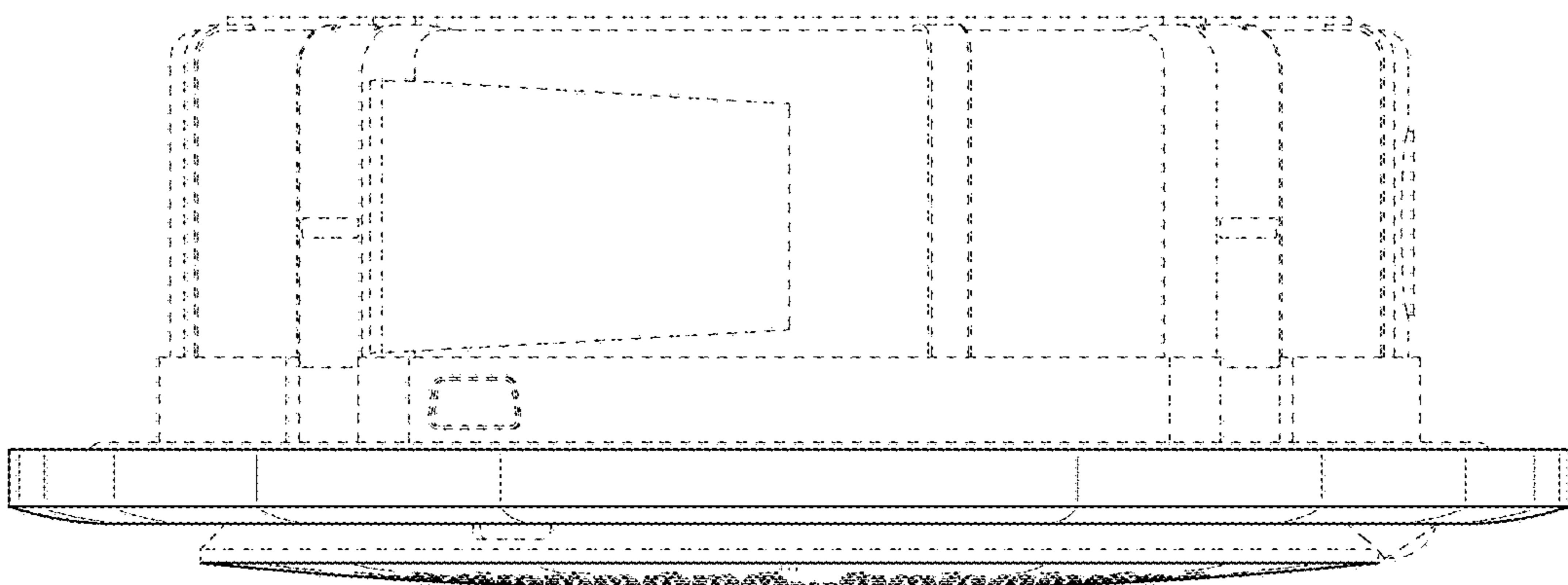


FIG. 6

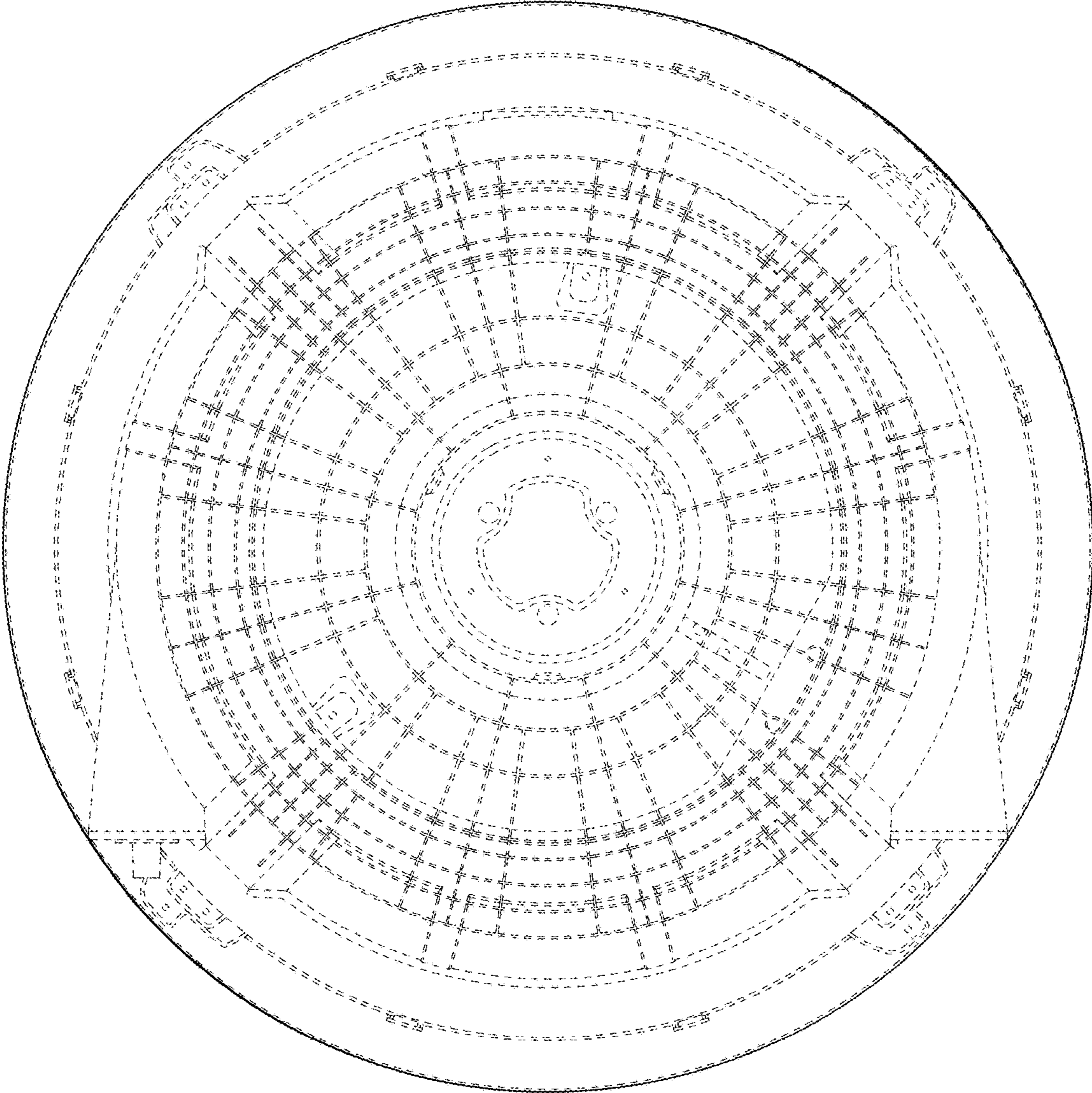


FIG. 7

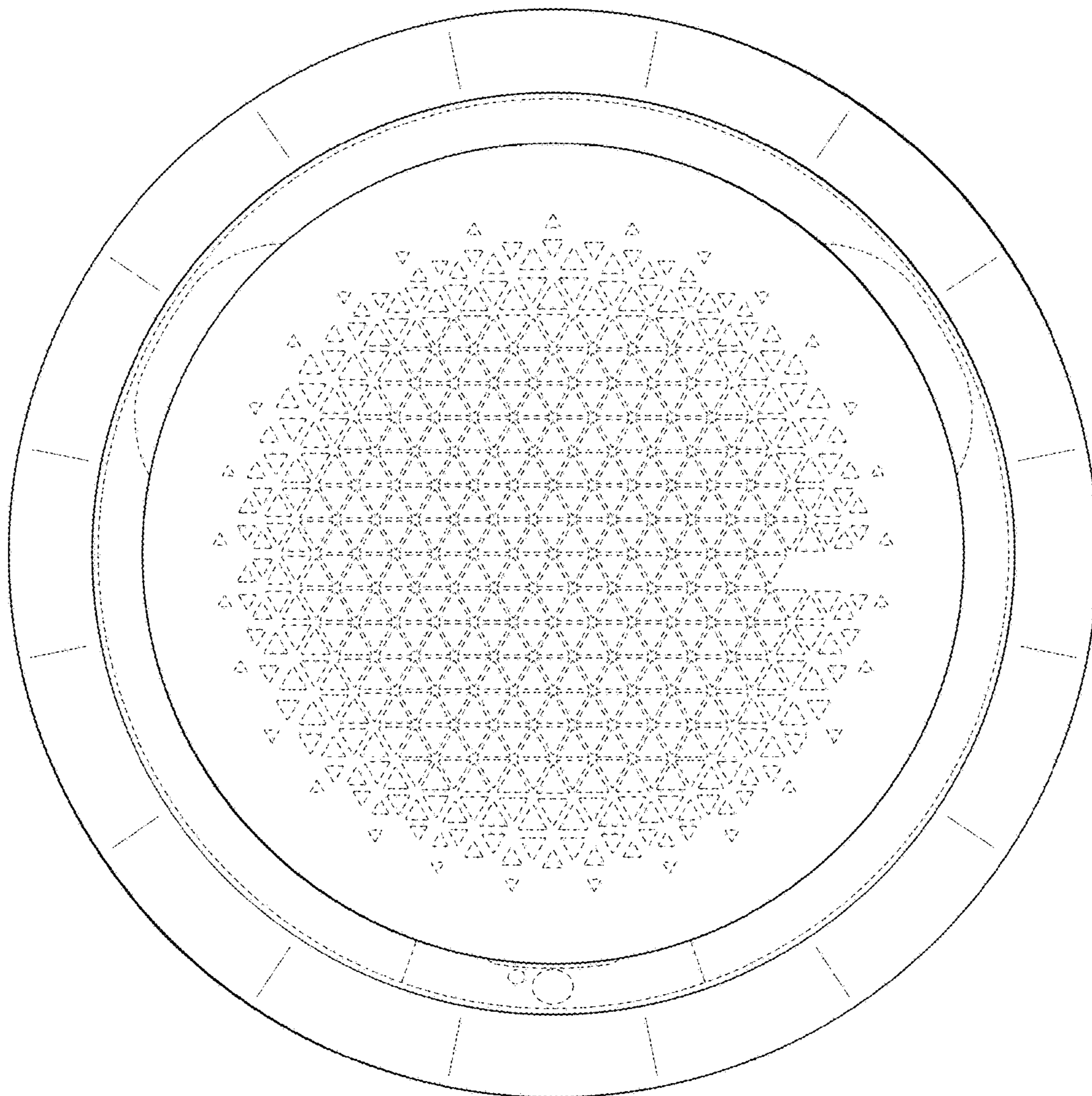


FIG. 8

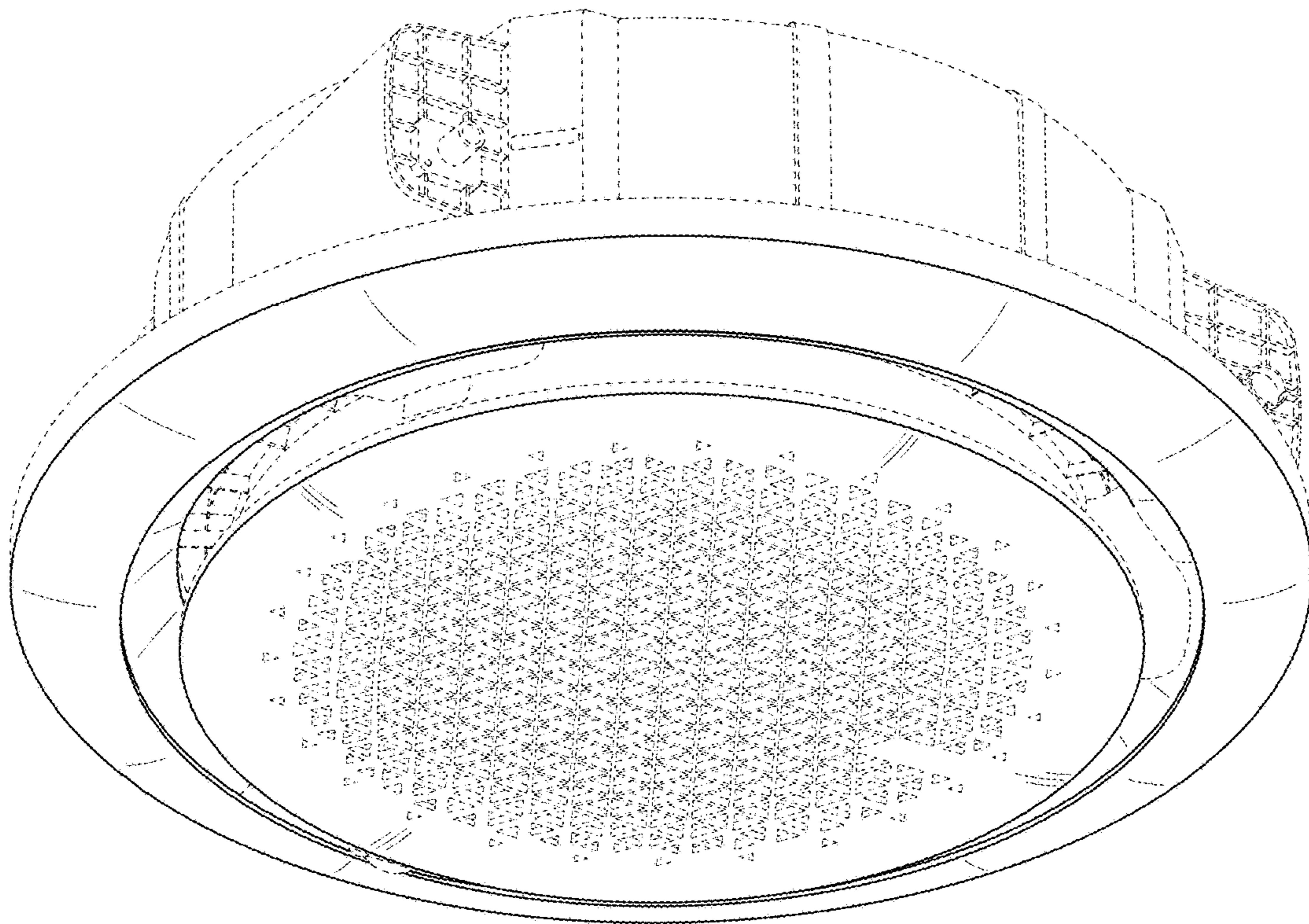


FIG. 9

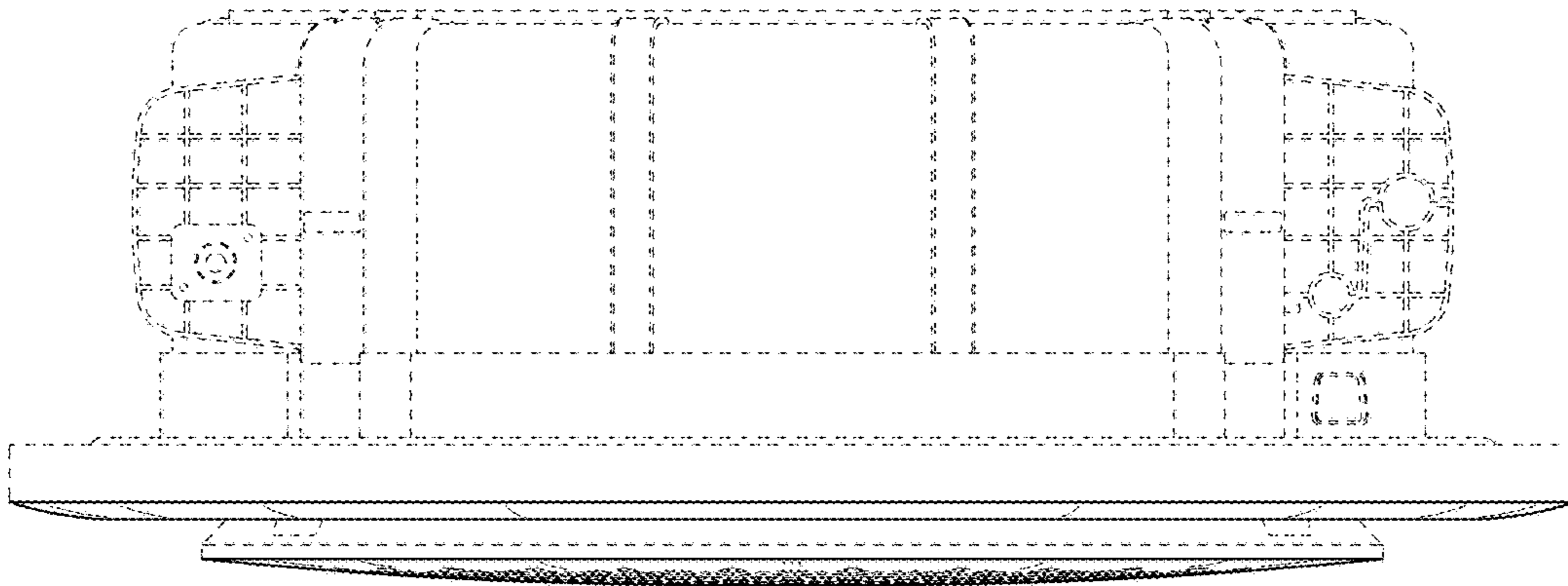


FIG. 10

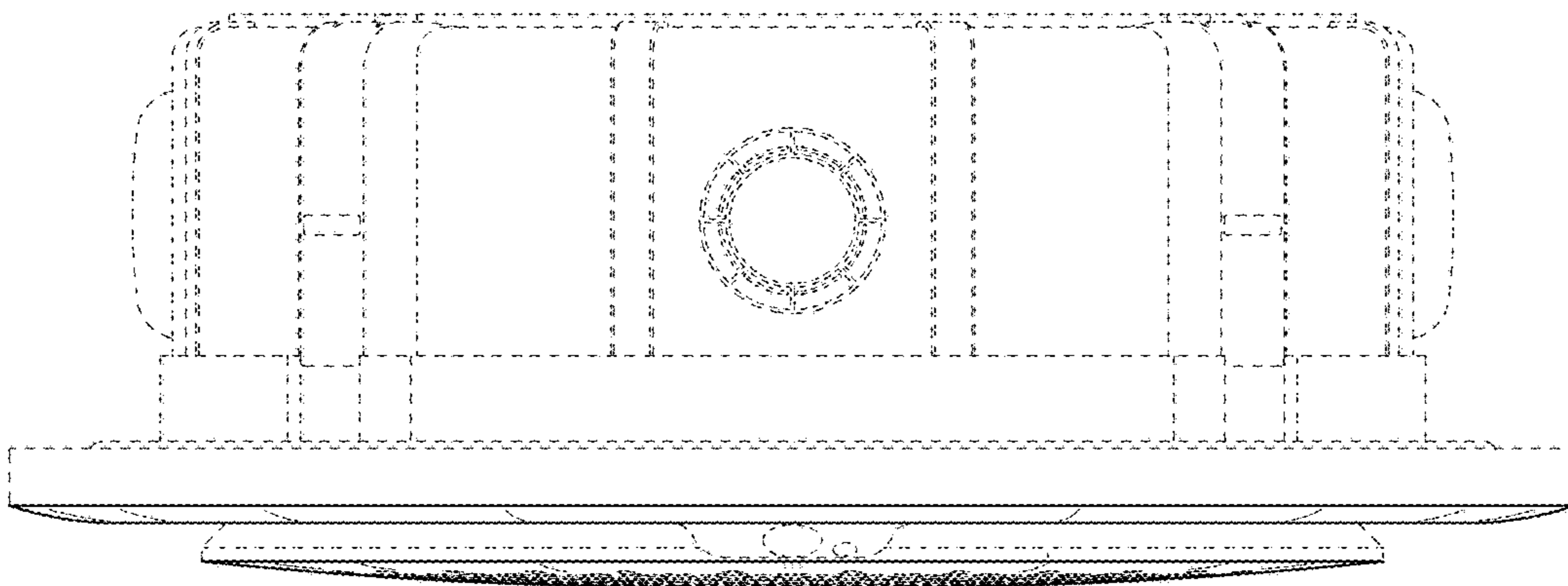


FIG. 11

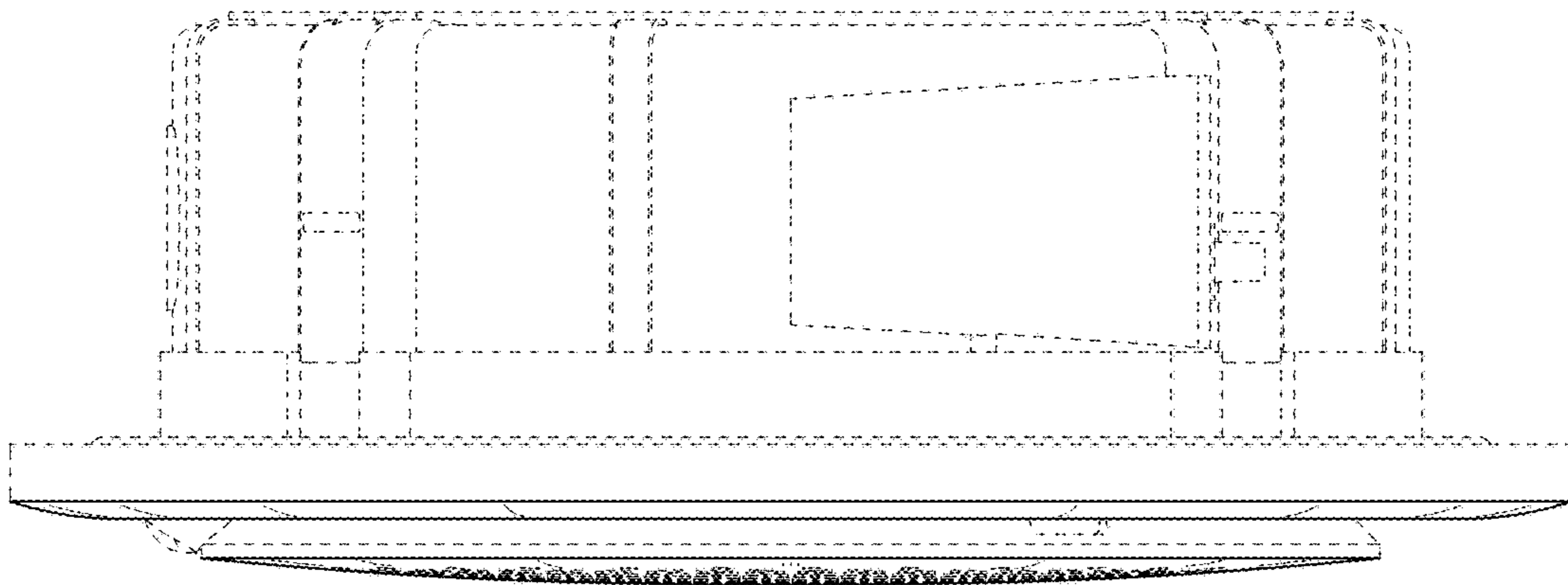


FIG. 12

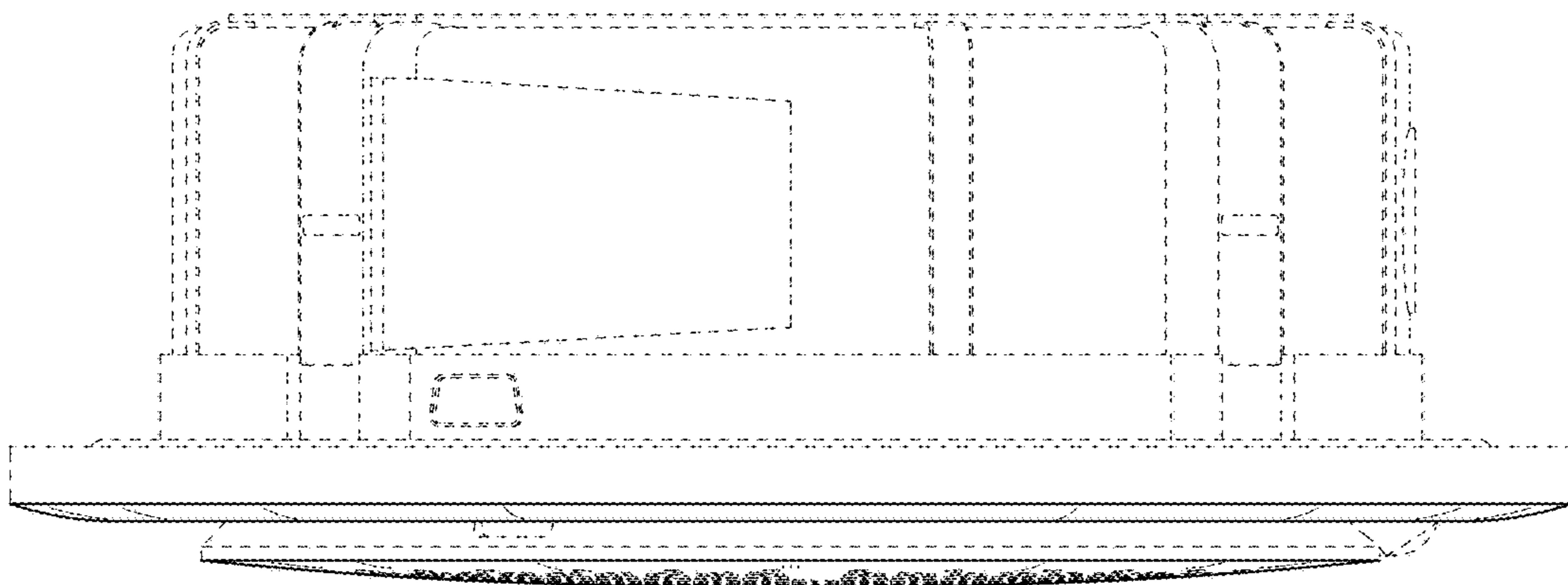


FIG. 13

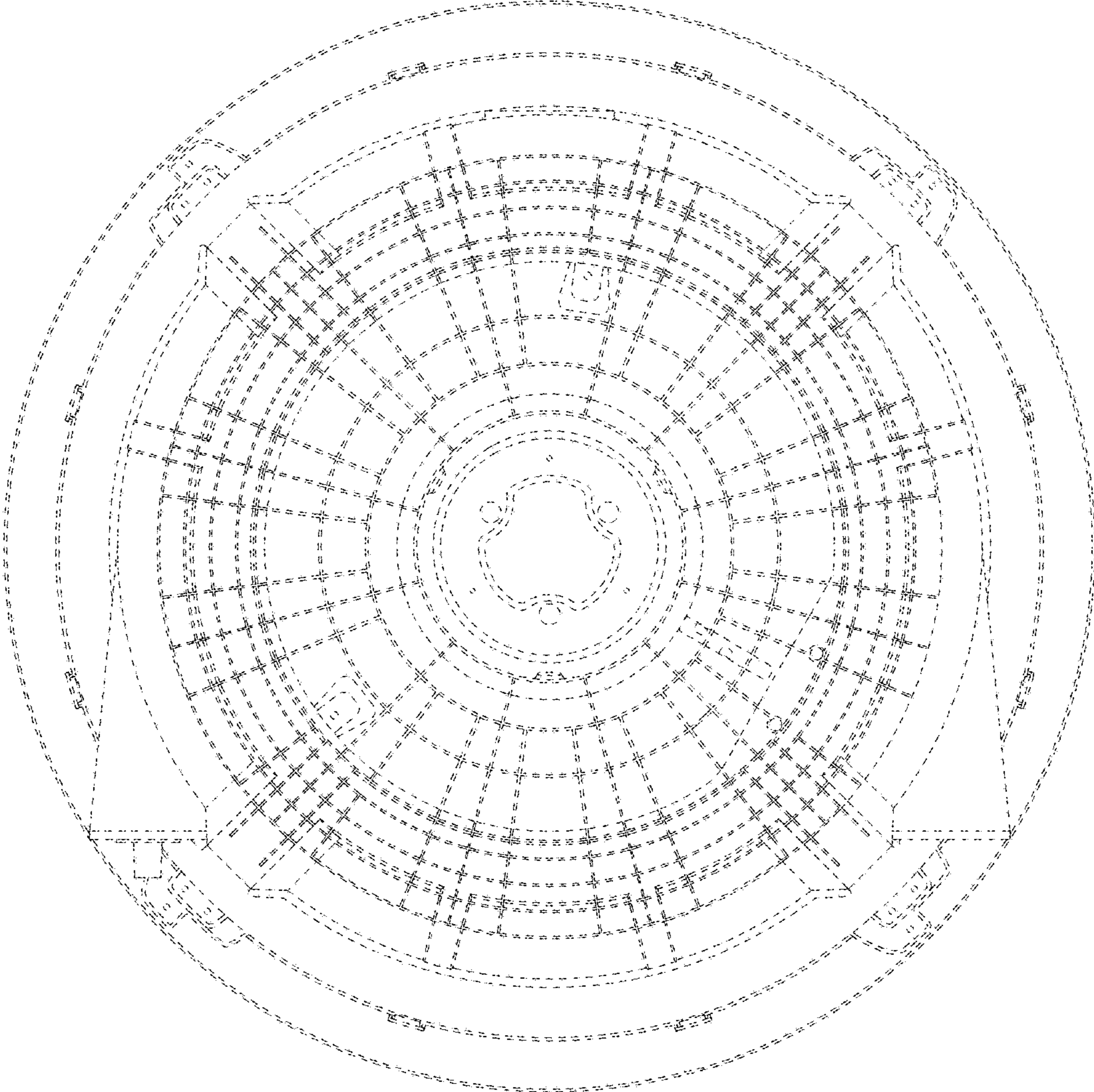


FIG. 14

