



US00D819792S

(12) **United States Design Patent** (10) **Patent No.:** **US D819,792 S**
Garrels et al. (45) **Date of Patent:** **** Jun. 5, 2018**

(54) **TOILET**
(71) Applicant: **Kohler Co.**, Kohler, WI (US)
(72) Inventors: **Clayton Garrels**, Kohler, WI (US);
Carlos Uceda, Sheboygan, WI (US)
(73) Assignee: **KOHLER CO.**, Kohler, WI (US)
(**) Term: **15 Years**
(21) Appl. No.: **29/590,113**
(22) Filed: **Jan. 6, 2017**
(51) **LOC (11) Cl.** **23-02**
(52) **U.S. Cl.**
USPC **D23/309**
(58) **Field of Classification Search**
USPC D23/295–303, 307, 309, 310, 313;
D6/513, 663, 665, 668, 707.24; D11/155,
D11/164; D25/133, 136; D26/142
CPC E03D 11/08; E03D 11/18; E03D 5/10;
E03D 13/00; A47K 11/00; A47K 13/00;
Y10S 4/05
See application file for complete search history.

D615,634 S * 5/2010 Soulier D23/295
D621,918 S * 8/2010 Paterson et al.
D640,777 S * 6/2011 Heuberger D23/300
D663,391 S * 7/2012 Iranyi D23/295
D683,828 S * 6/2013 Newson D23/295

OTHER PUBLICATIONS

Kohler wall hung toilet reference found online [Aug. 22, 2017]—
<https://www.kohler.co.uk/toilets/wall-hung/r%C3%A4ve-wall-hung-toilet-pan/>.
“Architectural Depot” Corbel reference found online [Nov. 14, 2017]—
<https://www.architecturaldepot.com/CB-307.html?id=625>.
Kohler 2016 Price Book “Fixtures” pp. 314-347.

* cited by examiner

Primary Examiner — Celia A Murphy
Assistant Examiner — John A Voytek
(74) *Attorney, Agent, or Firm* — Foley & Lardner LLP

(57) **CLAIM**

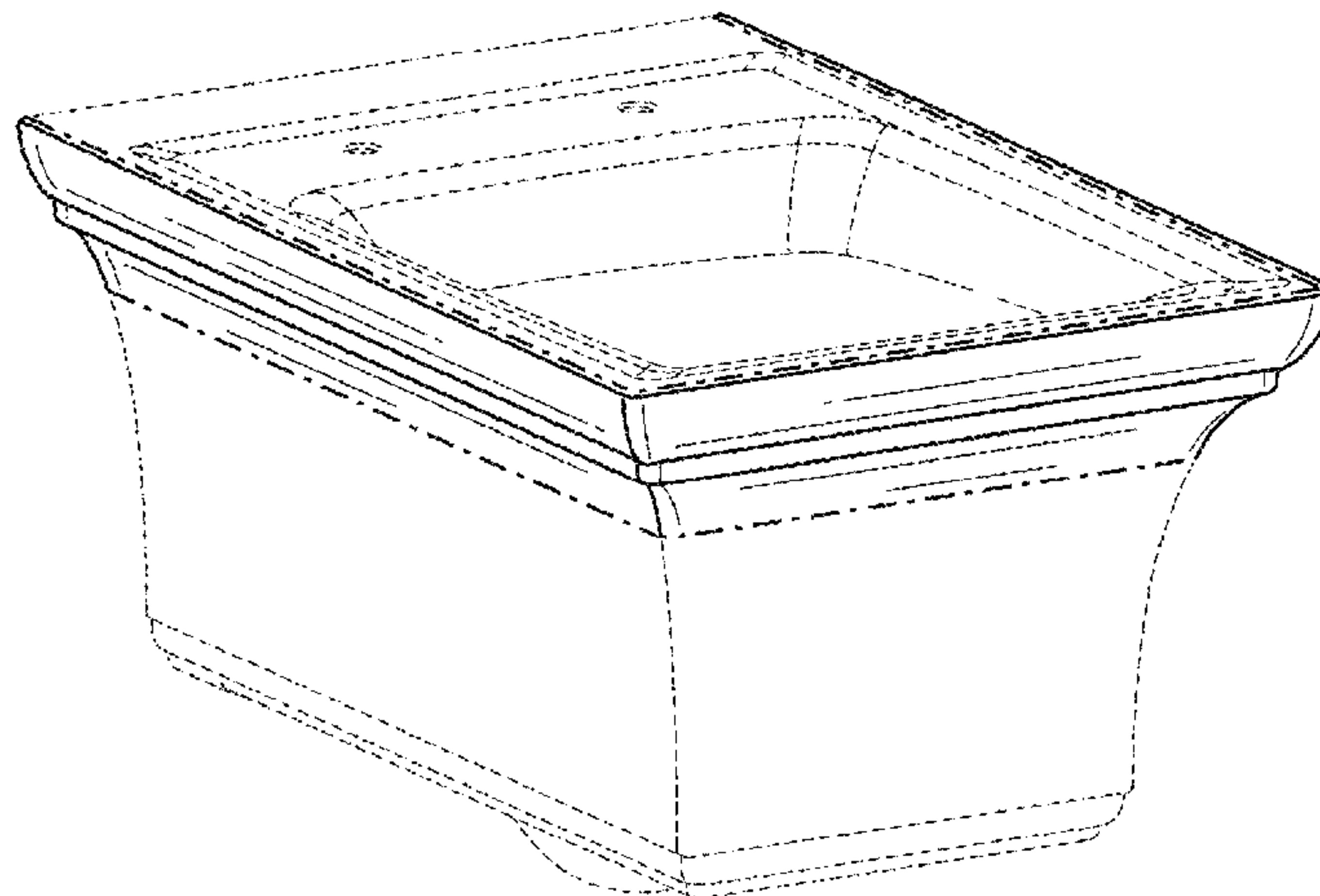
We claim the ornamental design for a toilet, as shown and described.

DESCRIPTION

FIG. 1 is a perspective view of an embodiment of the claimed design;
FIG. 2 is a front view of the design shown in FIG. 1;
FIG. 3 is a top view of the design shown in FIG. 1;
FIG. 4 is a side view of the design shown in FIG. 1; and,
FIG. 5 is another side view of the design shown in FIG. 1.
The ornamental design which is claimed is shown in solid lines in the drawings. The broken lines in the drawings are for illustrative purposes only and form no part of the claimed design. Broken lines formed by equal length dashes (i.e., dash-dash) show unclaimed portions of the design. Broken lines formed of unequal length dashes (i.e., dash-dot) show unclaimed boundaries between claimed and unclaimed portions of the design.

1 Claim, 3 Drawing Sheets

(56) **References Cited**
U.S. PATENT DOCUMENTS
538,168 A * 4/1895 Keeler A47K 13/00
4/237
D416,644 S * 11/1999 Swope D26/142
D494,667 S * 8/2004 Kergoet D23/295
D503,813 S * 4/2005 Steffes D25/133
D509,575 S * 9/2005 Kergoet D23/295
D509,601 S * 9/2005 Rosian D25/135
D509,602 S * 9/2005 Rosian D25/135
D514,713 S * 2/2006 Rosian D25/135
D530,834 S * 10/2006 Navare D25/133
D576,716 S * 9/2008 Kaule D23/295
D578,929 S * 10/2008 White D11/155
D586,895 S 2/2009 Kergoet
D612,026 S 3/2010 Soulier
D615,173 S * 5/2010 Arets D23/295



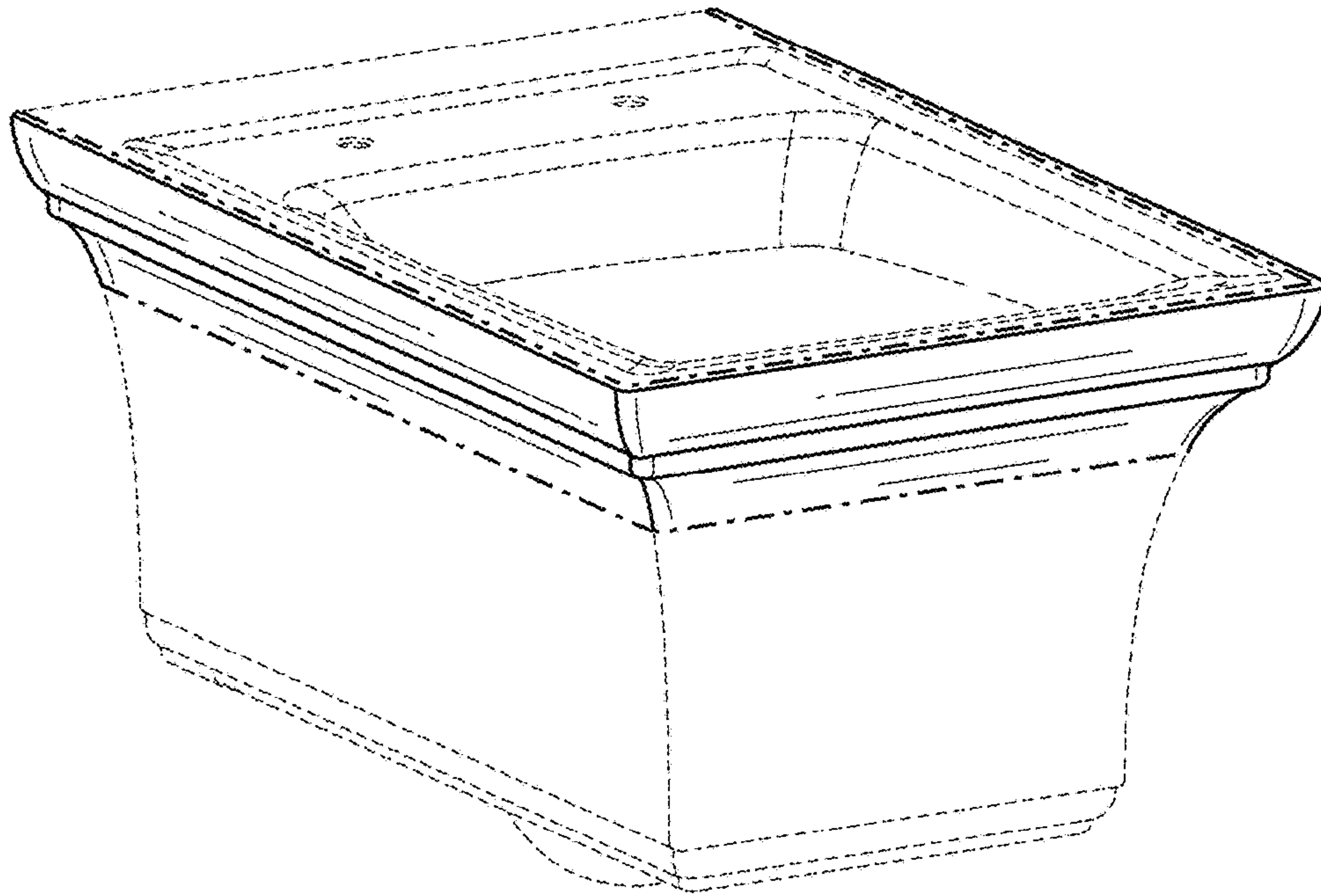


FIG. 1

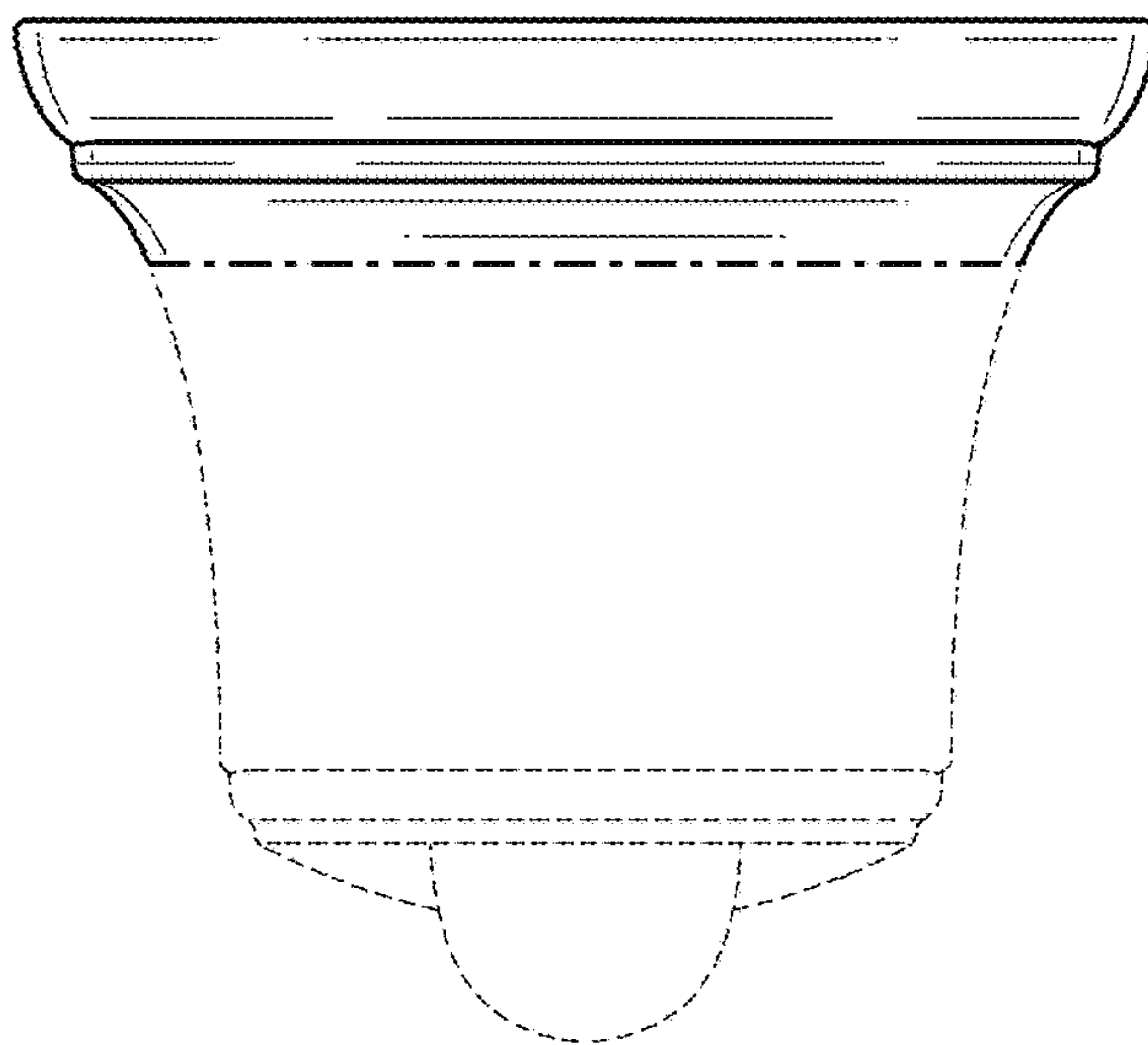


FIG. 2

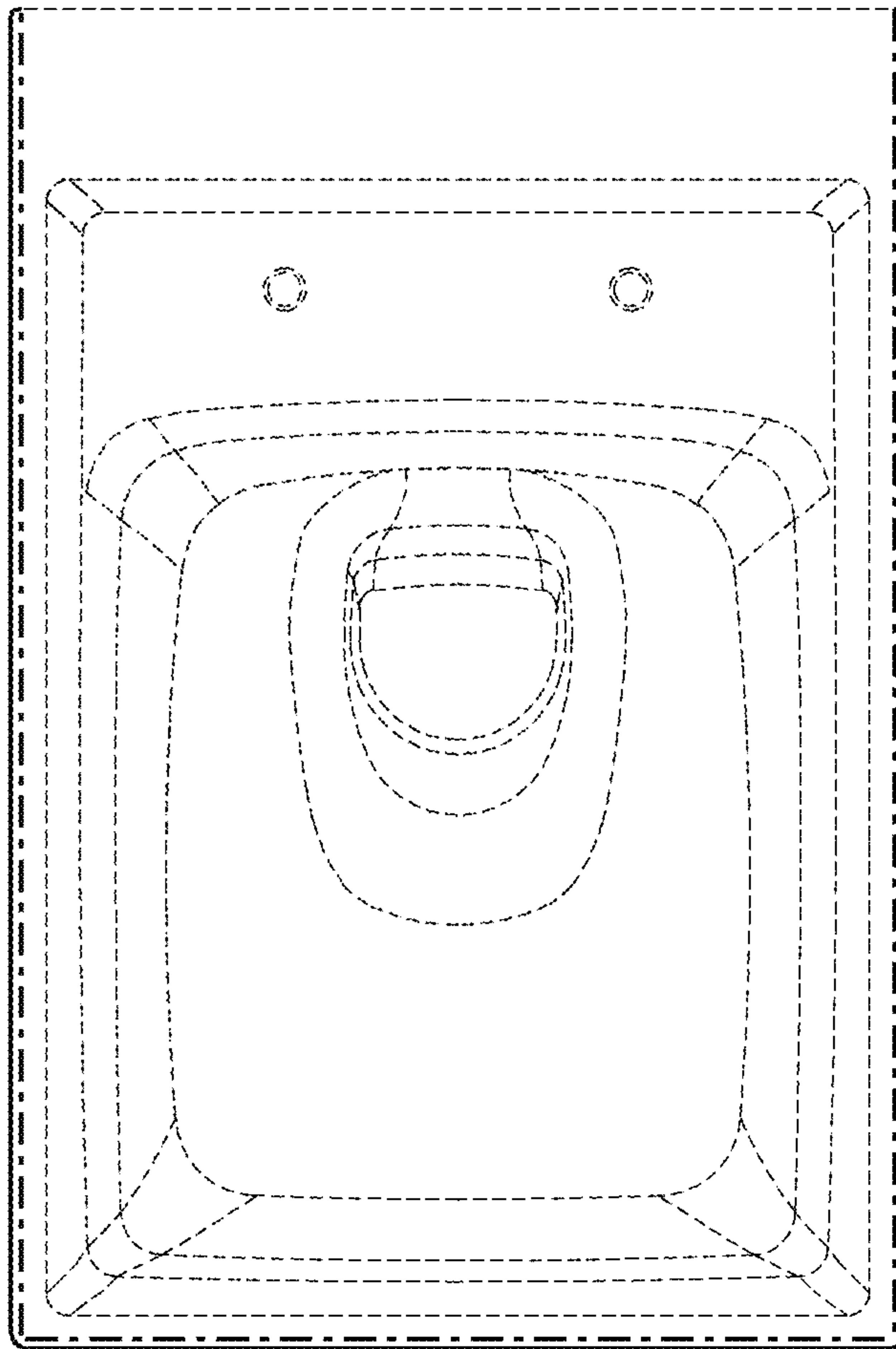


FIG. 3

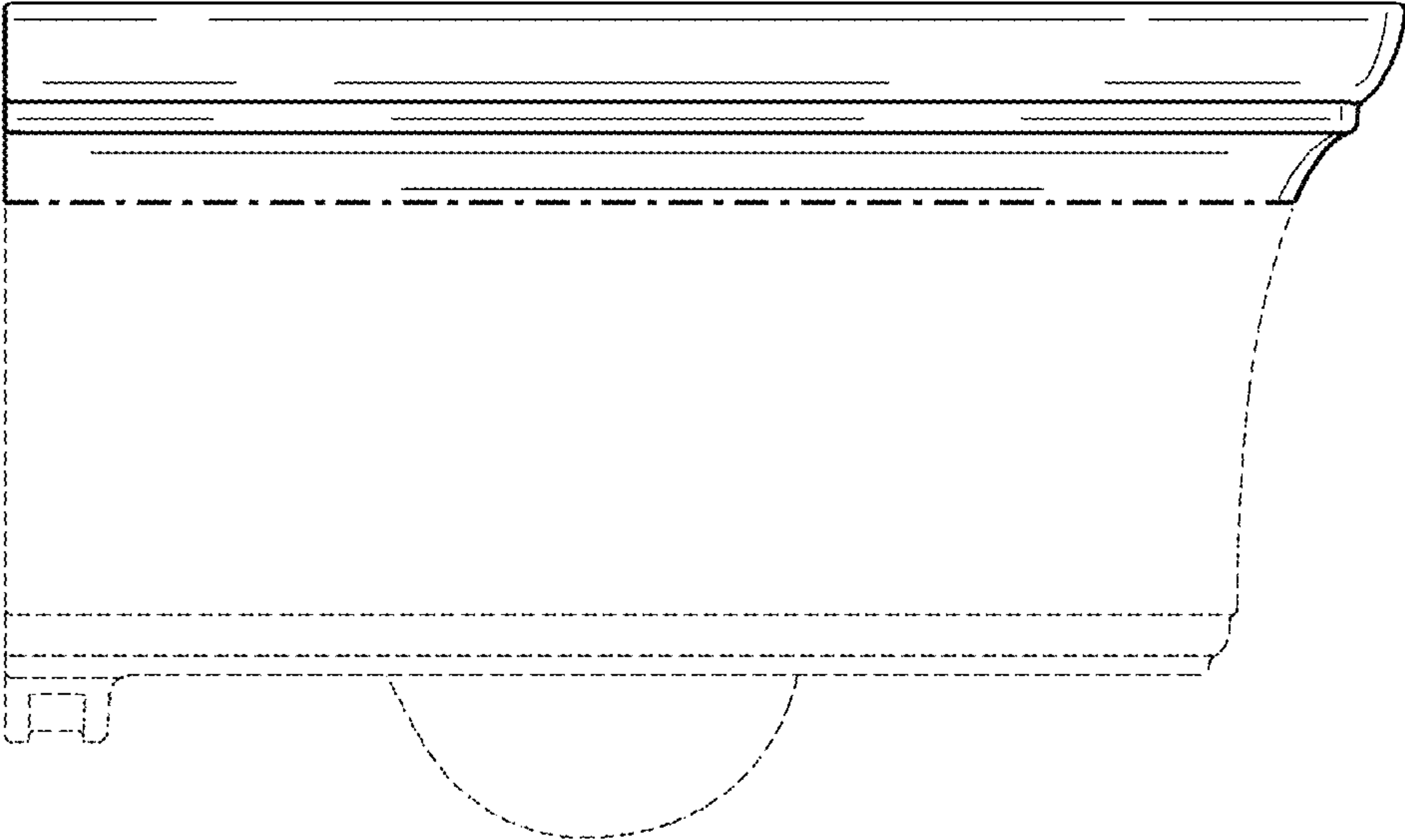


FIG. 4

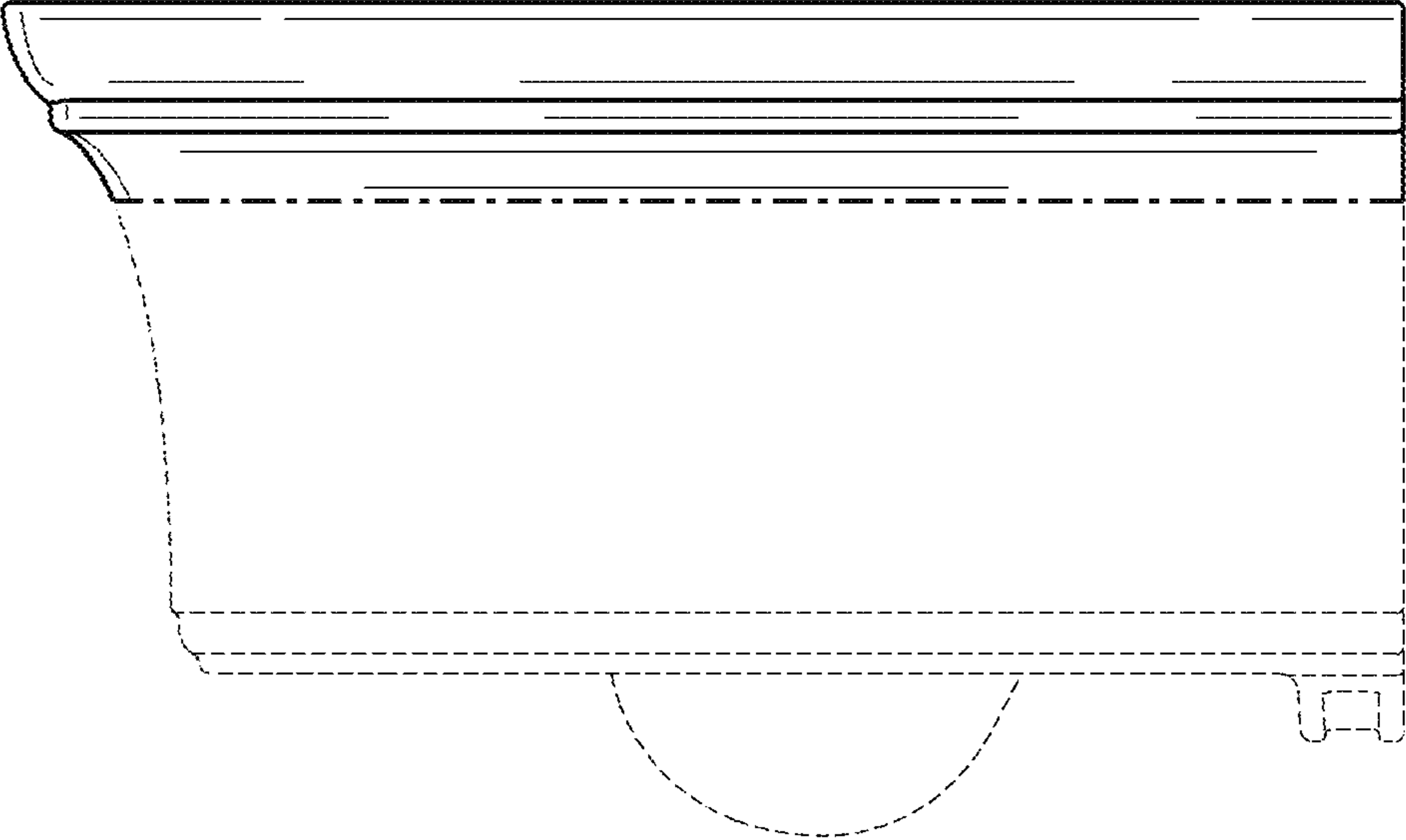


FIG. 5