



US00D819789S

(12) **United States Design Patent**
Sith et al.

(10) **Patent No.:** **US D819,789 S**
(45) **Date of Patent:** **** Jun. 5, 2018**

(54) **ELBOW FITTING**

(71) Applicant: **Victaulic Company**, Easton, PA (US)

(72) Inventors: **Ahmad Sith**, Bethlehem, PA (US);
Scott T. Stewart, Andover, MA (US);
Charles E. Wilk, Jr., Slatington, PA
(US); **Matthew A. Bowman**, Palmer,
PA (US); **Alan M. Yesavage**,
Lenhartsville, PA (US); **Scott D.**
Madara, Nazareth, PA (US)

(73) Assignee: **Victaulic Company**, Easton, PA (US)

(**) Term: **15 Years**

(21) Appl. No.: **29/581,932**

(22) Filed: **Oct. 24, 2016**

(51) **LOC (11) Cl.** **23-01**

(52) **U.S. Cl.**
USPC **D23/263**

(58) **Field of Classification Search**
USPC D23/233–237, 258–259, 262–266, 268;
285/24, 27, 31, 121.1, 123.3, 148.19,
285/148.22, 347, 199, 179, 179.1,
285/180–182, 212.1; 137/37, 103, 109,
137/113, 120, 140, 155; 251/82, 142,
251/149, 149.8, 147, 148, 349, 382,
251/394–397; D8/349, 382, 394–397
CPC . F16L 33/23; F16L 33/28; F16L 33/00; F16L
33/01; F16L 41/00; F16L 41/06; F16L
55/18; F16L 17/00; F16L 23/00; F16L
21/02; F16L 21/06; E03C 1/26; E03C
1/28; E03C 1/262; F16J 15/22; F16J
1/005

See application file for complete search history.

(56) **References Cited**

U.S. PATENT DOCUMENTS

2,412,394 A * 12/1946 Giles F16L 21/06
285/147.1
5,911,446 A * 6/1999 McLennan F16L 21/08
285/104

D627,863 S * 11/2010 Ball D23/262
D665,062 S * 8/2012 Ball D23/263
8,820,795 B2 * 9/2014 Dole F16L 17/04
285/133.21
D724,185 S * 3/2015 Chiproot D23/262
D764,029 S * 8/2016 Yovanovich D23/259
D767,105 S * 9/2016 Richards D23/263
9,791,083 B2 * 10/2017 Gibb F16L 43/00
2012/0256418 A1 * 10/2012 Horgan F16B 5/0275
285/420

(Continued)

Primary Examiner — Eric L Goodman

Assistant Examiner — Amy C Wierenga

(74) *Attorney, Agent, or Firm* — Ballard Spahr, LLP

(57) **CLAIM**

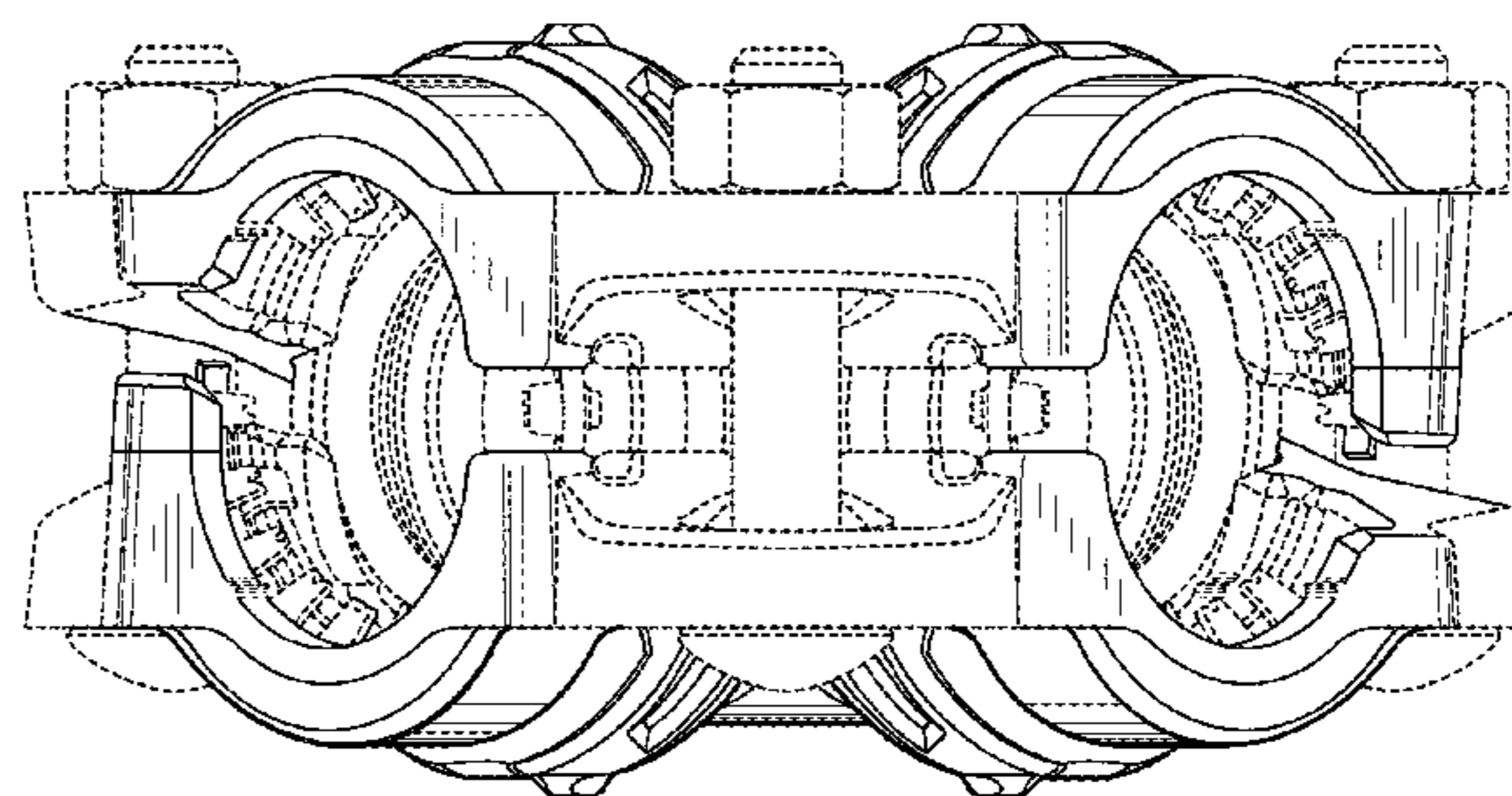
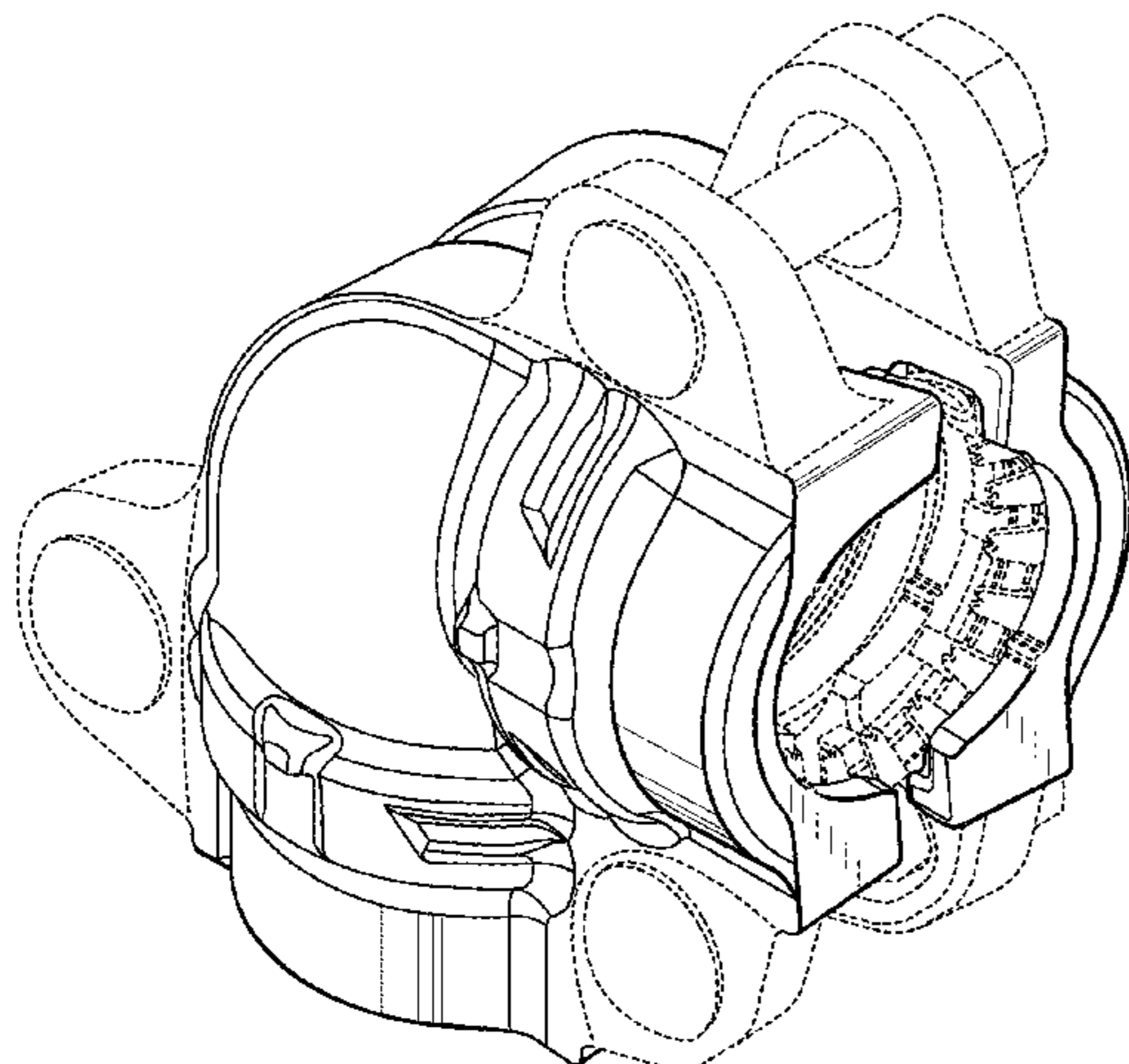
We claim the ornamental design for an elbow fitting, as shown and described.

DESCRIPTION

FIG. 1 is an isometric view of an embodiment of our design for an elbow fitting;
FIG. 2 is a front view of the design of the elbow fitting shown in FIG. 1;
FIG. 3 is a rear view of the design of the elbow fitting shown in FIG. 1;
FIG. 4 is a bottom view of the design of the elbow fitting shown in FIG. 1;
FIG. 5 is a top view of the design of the elbow fitting shown in FIG. 1;
FIG. 6 is a left side view of the design of the elbow fitting shown in FIG. 1; and,
FIG. 7 is a right side view of the design of the elbow fitting shown in FIG. 1.

The broken lines depict portions of the elbow fitting that form no part of the claimed design. The dot-dash lines depict the boundaries between claimed and unclaimed subject matter and form no part of the claimed design.

1 Claim, 4 Drawing Sheets



(56)

References Cited

U.S. PATENT DOCUMENTS

2013/0200609 A1* 8/2013 Dole F16L 17/04
285/132.1
2015/0021911 A1* 1/2015 Bowman F16L 21/005
285/340
2015/0338001 A1* 11/2015 Bush F16L 21/06
285/179
2017/0167645 A1* 6/2017 Bancroft F16L 21/02

* cited by examiner

FIG. 1

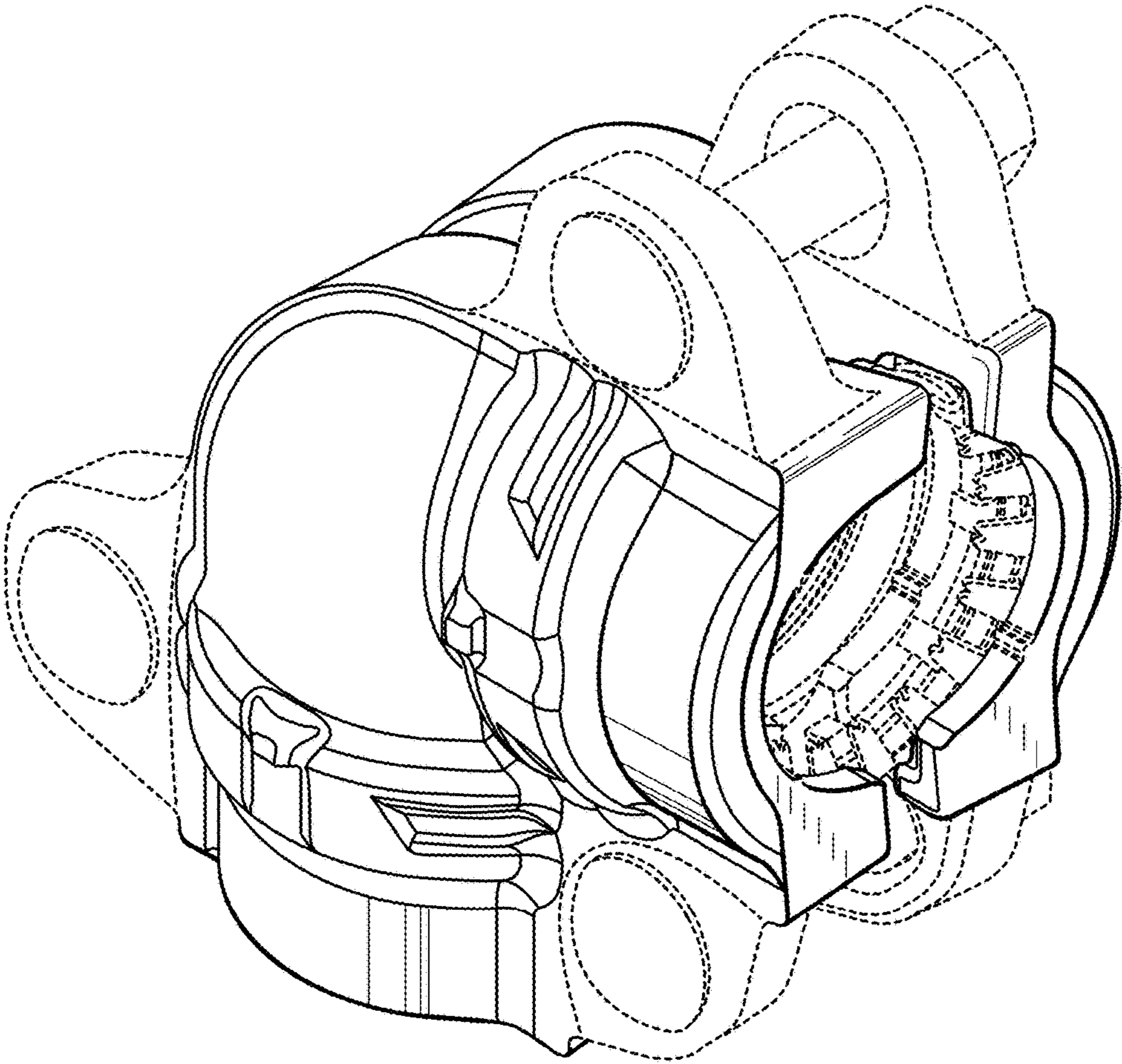


FIG. 2

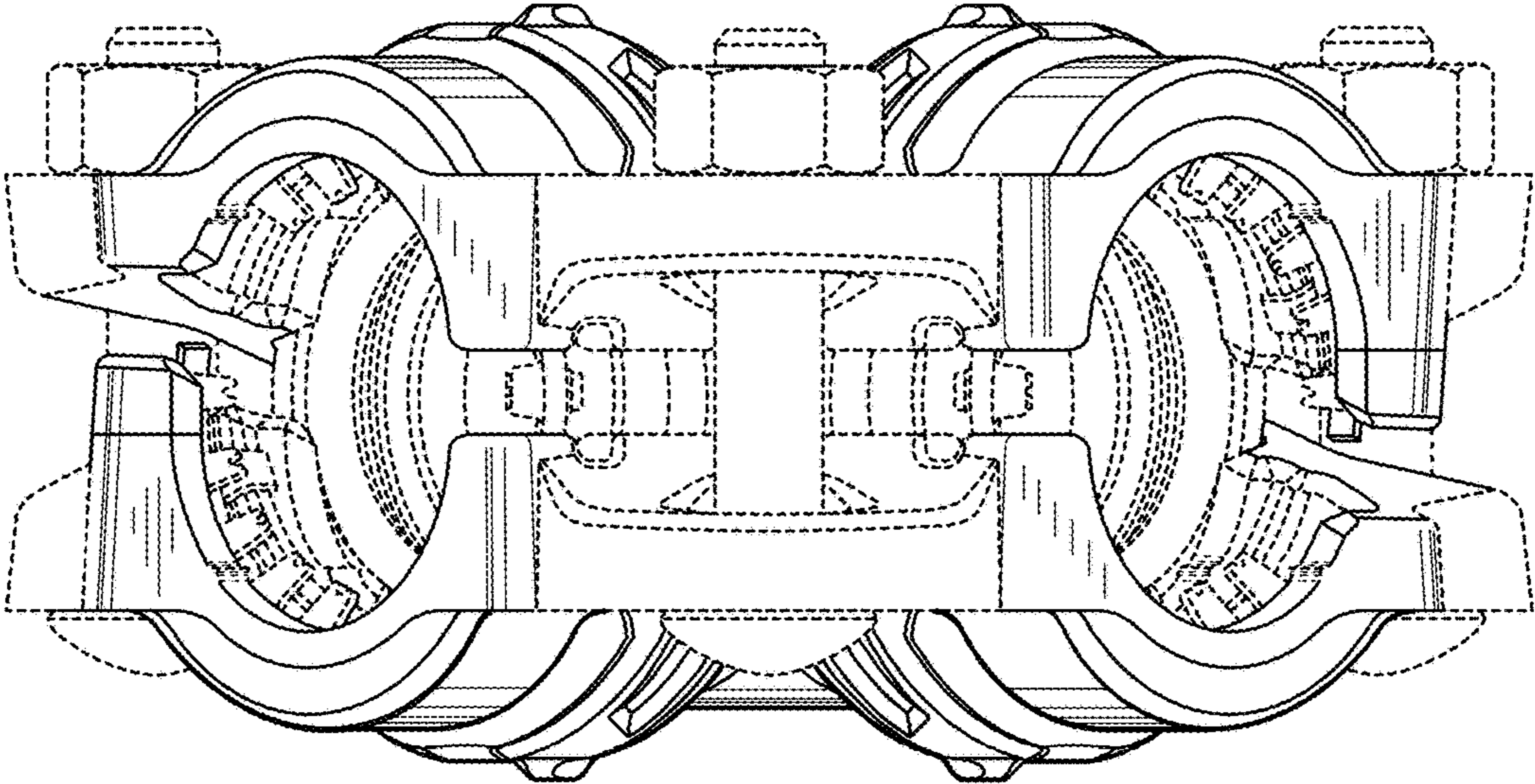


FIG. 3

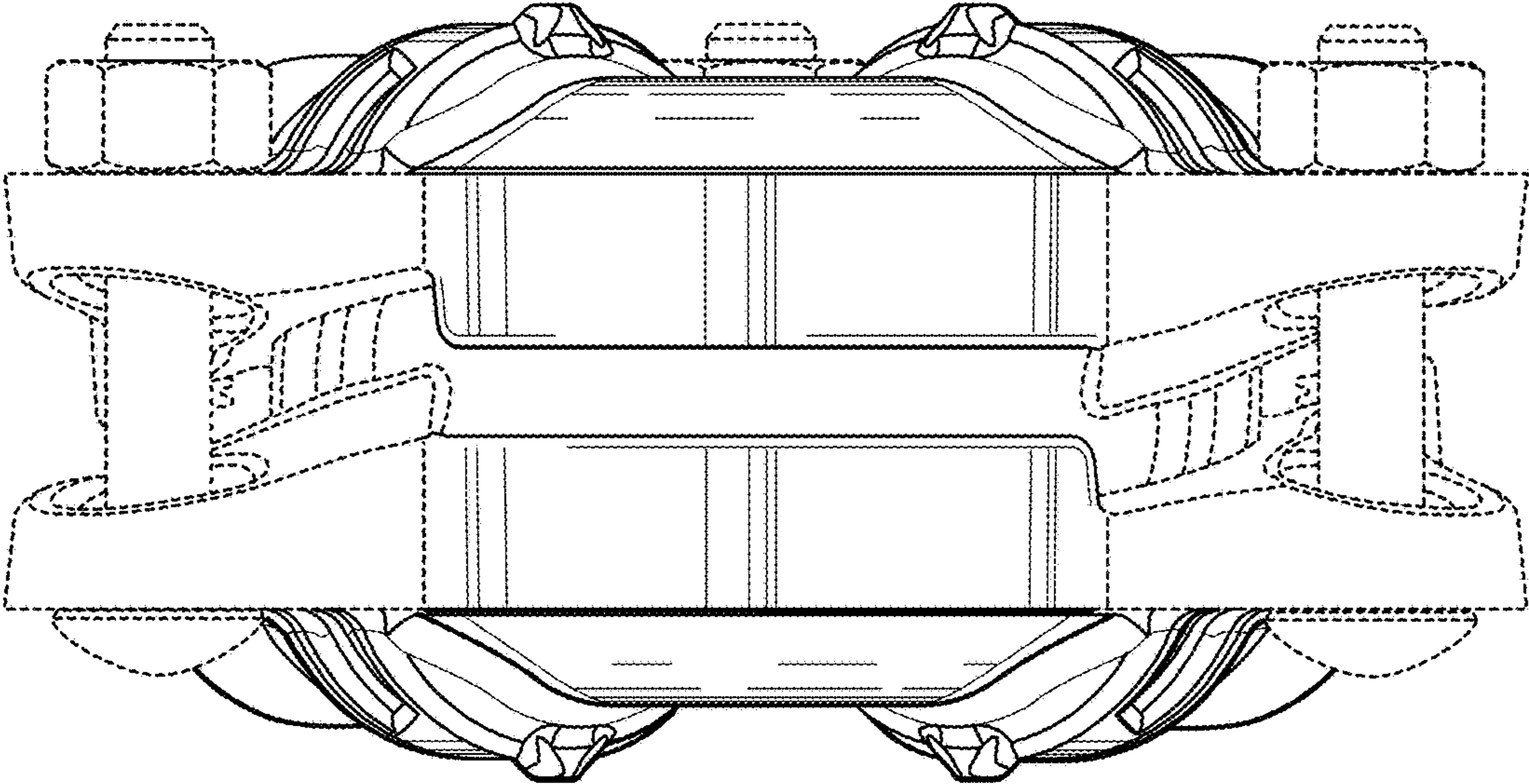


FIG. 4

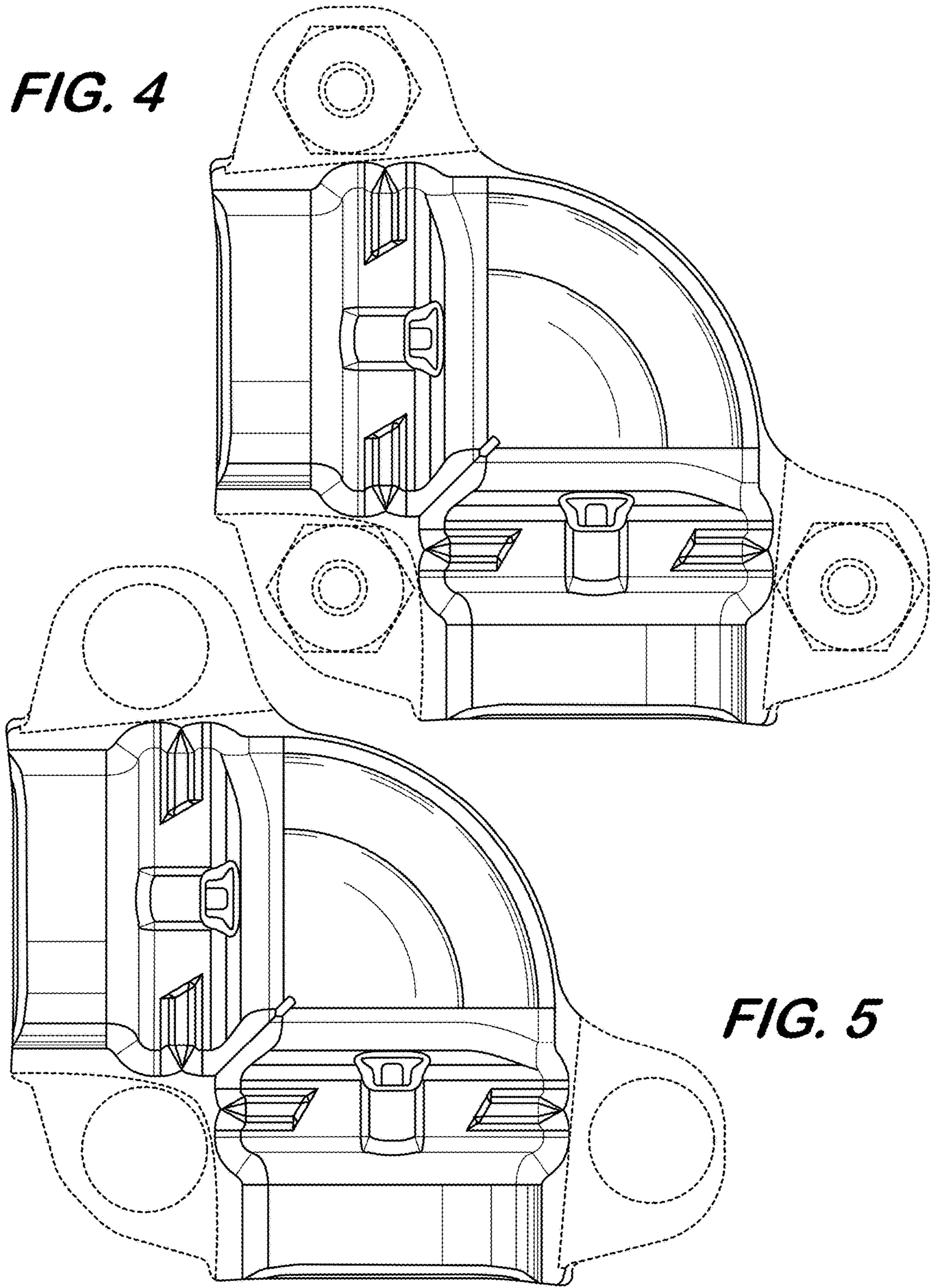


FIG. 5

FIG. 6

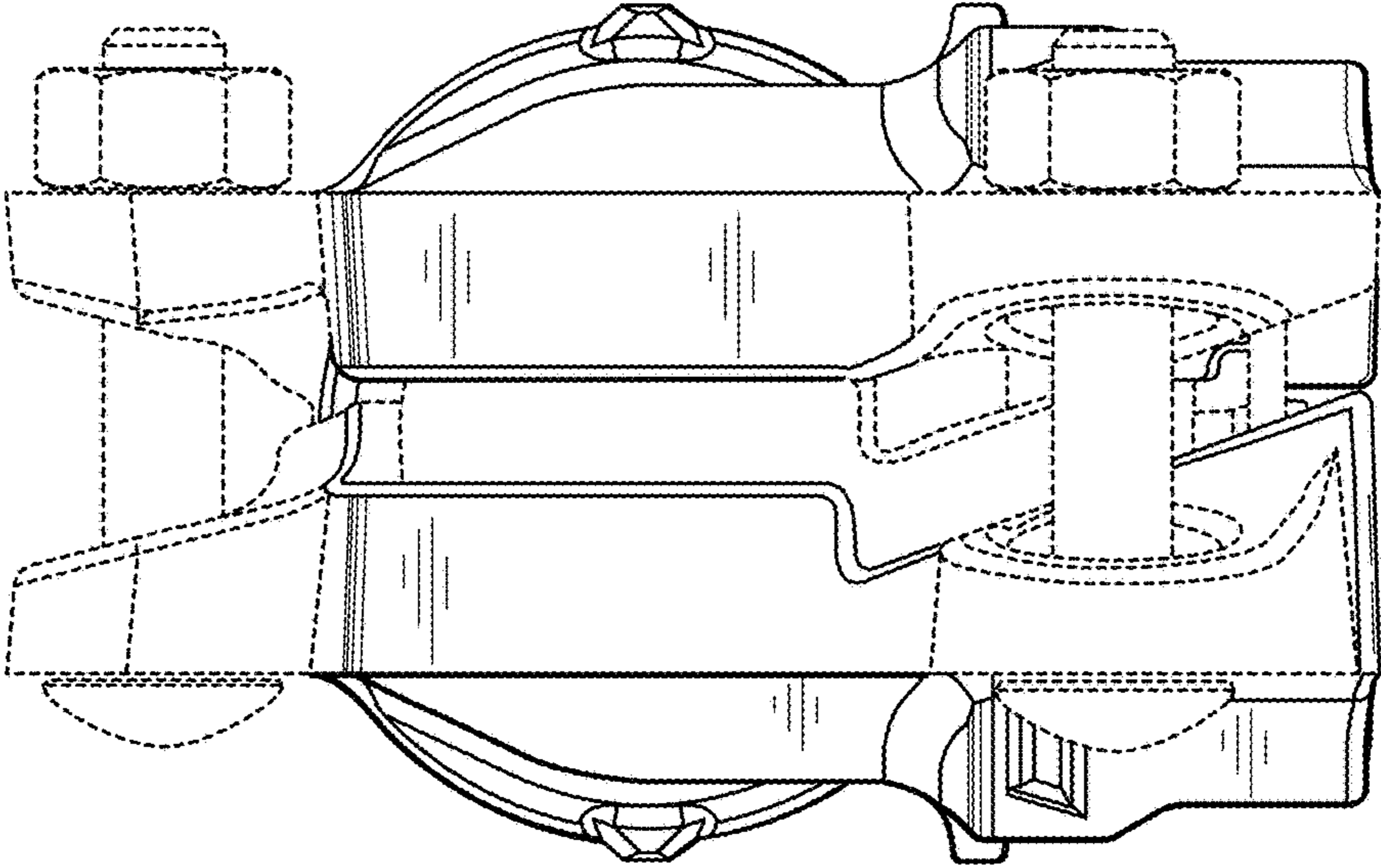


FIG. 7

